



US00D892607S

(12) **United States Design Patent**
Boscarello

(10) **Patent No.:** **US D892,607 S**

(45) **Date of Patent:** **** Aug. 11, 2020**

(54) **STRAP CLIP**

(71) Applicant: **Roseanne Boscarello**, Leicester, NC
(US)

(72) Inventor: **Roseanne Boscarello**, Leicester, NC
(US)

(**) Term: **15 Years**

(21) Appl. No.: **29/690,017**

(22) Filed: **May 3, 2019**

(51) **LOC (12) Cl.** **08-08**

(52) **U.S. Cl.**
USPC **D8/394**; D8/395

(58) **Field of Classification Search**
USPC D8/394-396, 72; D19/56, 65;
D7/631-634
CPC . D06F 55/00; A44D 2203/00; A61B 17/0664;
A61B 17/04; A61B 17/1265; A43D
79/00; A41B 3/08; A41F 15/02; A62F
2/0063

See application file for complete search history.

(56) **References Cited**

U.S. PATENT DOCUMENTS

476,241 A * 6/1892 Bouscaren E01B 11/36
238/259
D144,155 S * 3/1946 Buckow D7/633
4,440,535 A * 4/1984 Oehlke F16B 37/04
411/112
4,768,907 A * 9/1988 Gauron F16B 37/044
411/112

D305,611 S * 1/1990 Herzog D8/395
D322,632 S * 12/1991 Montgomery D19/65
D327,395 S * 6/1992 Rossari D7/633
6,893,197 B2 * 5/2005 Lee F16B 37/044
411/111
D522,351 S * 6/2006 Taylor D24/110
D572,580 S * 7/2008 Machida D8/397
D610,441 S * 2/2010 Jones D8/394
D745,603 S * 12/2015 Zhang D19/86
D763,671 S * 8/2016 Szelove D8/394
D782,928 S * 4/2017 Takakuwa D10/103
9,631,662 B2 * 4/2017 Boyer F16B 37/02
D810,555 S * 2/2018 O'Brien D8/394
D874,913 S * 2/2020 Buczynski D8/395
D881,335 S * 4/2020 Capazorio D23/208

* cited by examiner

Primary Examiner — John Windmuller

(74) *Attorney, Agent, or Firm* — The Van Wi; William G. Heedy

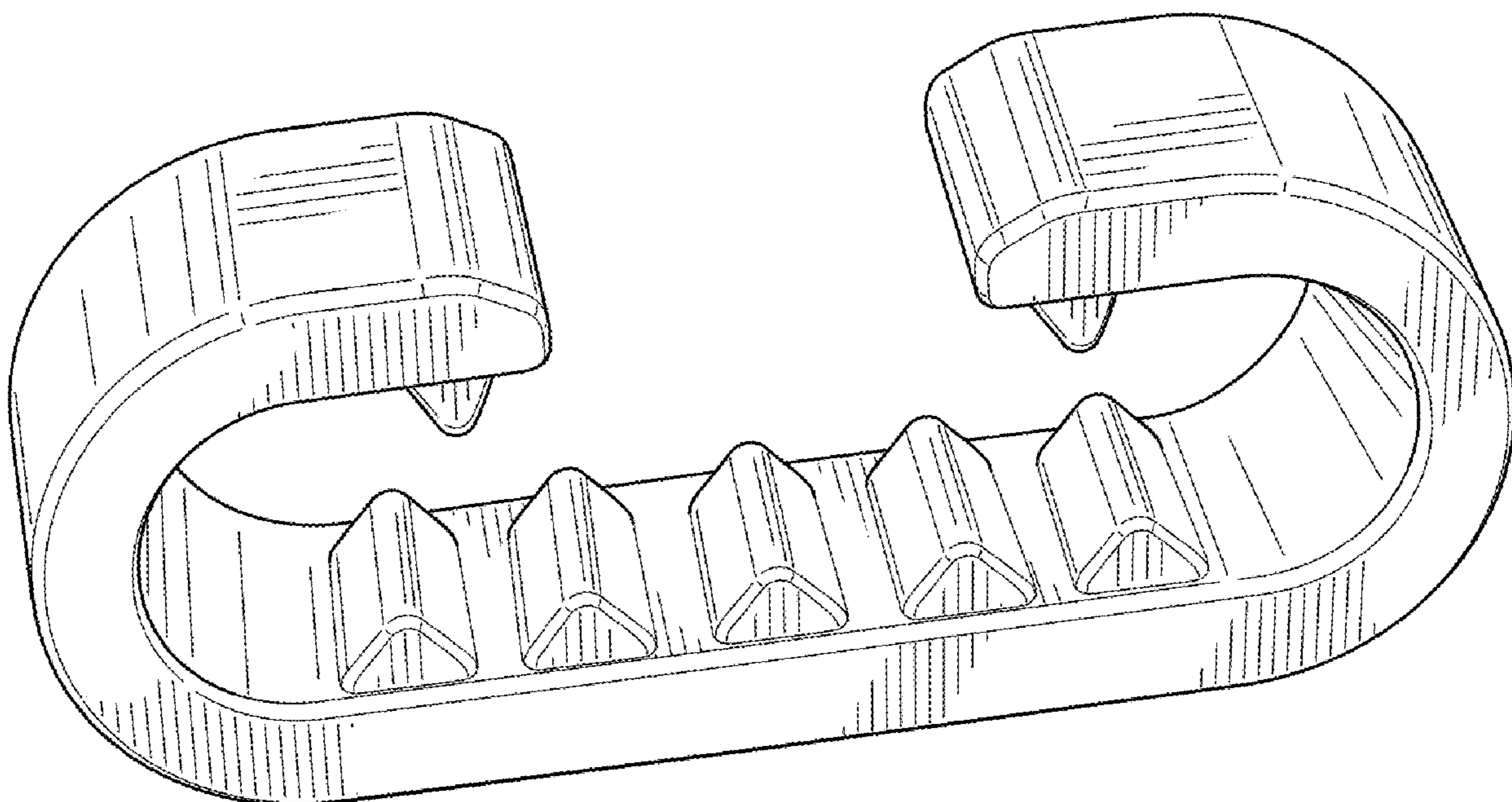
(57) **CLAIM**

The ornamental design for a strap clip, as shown and described.

DESCRIPTION

FIG. 1 is a perspective view of a design for a strap clip.
FIG. 2 is a perspective view thereof.
FIG. 3 is a front elevational view thereof.
FIG. 4 is a rear elevational view thereof.
FIG. 5 is a left side elevational view thereof.
FIG. 6 is a right side elevational view thereof.
FIG. 7 is a top plan view thereof; and,
FIG. 8 is a bottom plan view thereof.

1 Claim, 4 Drawing Sheets



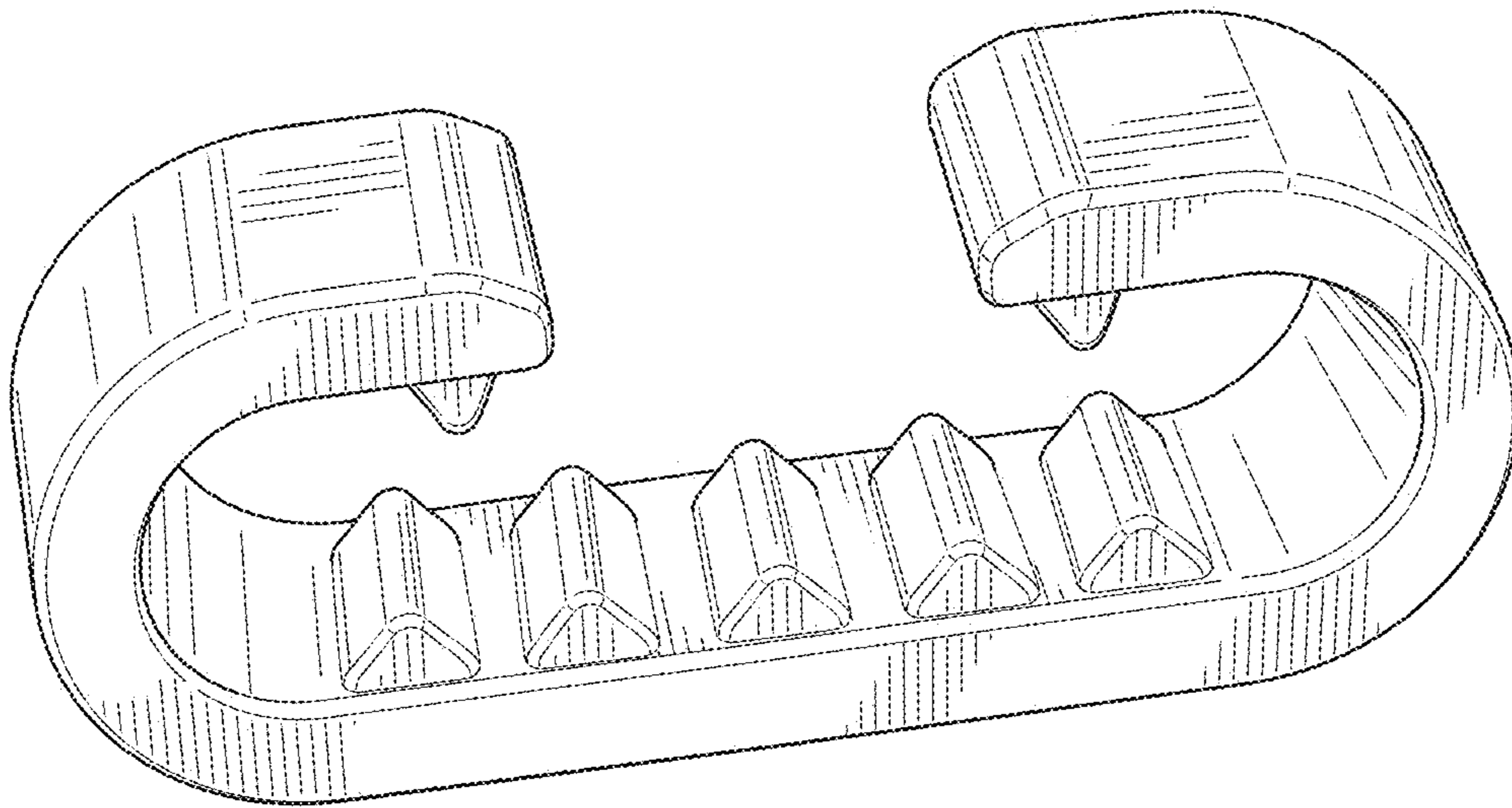


FIG. 1

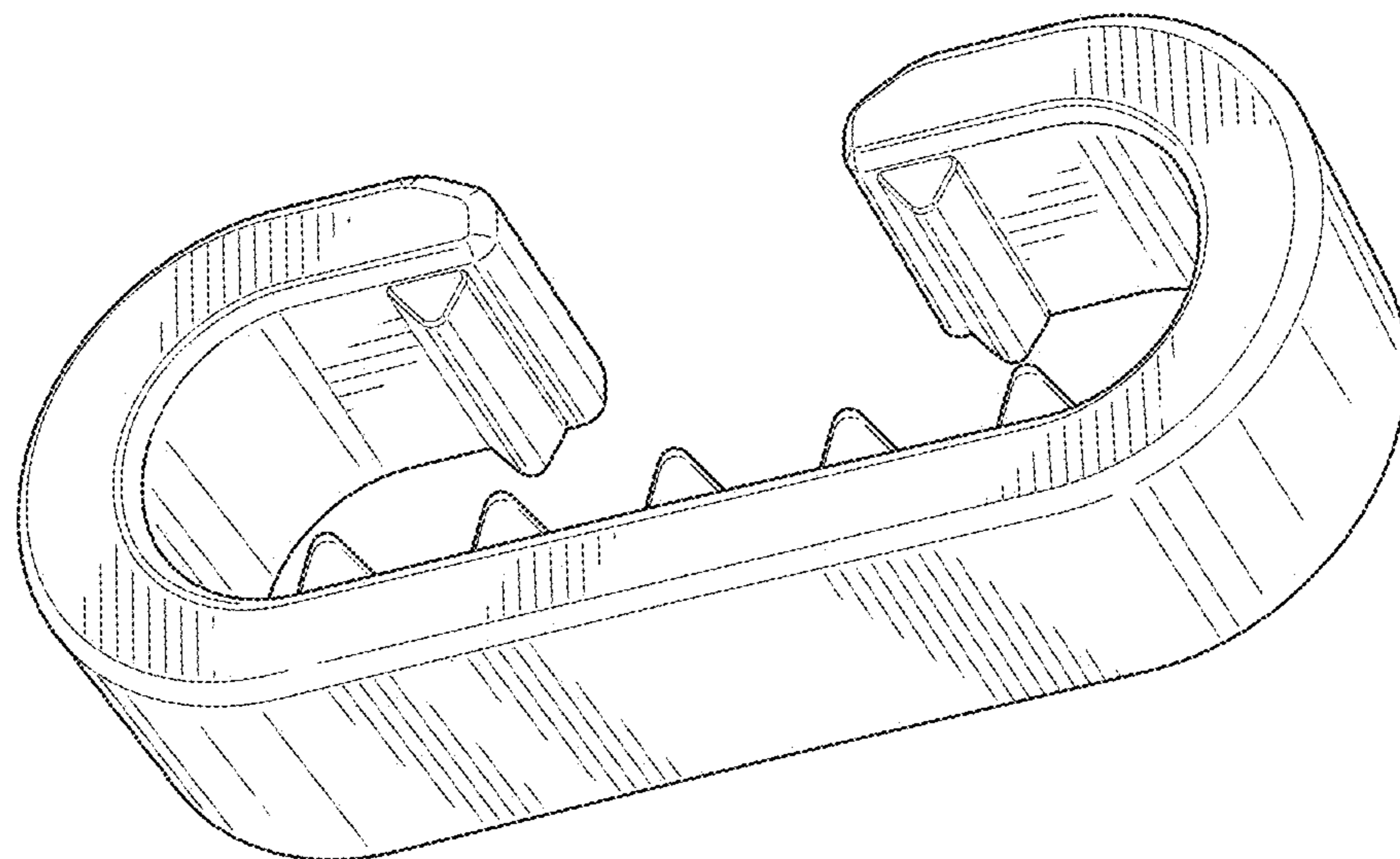


FIG. 2

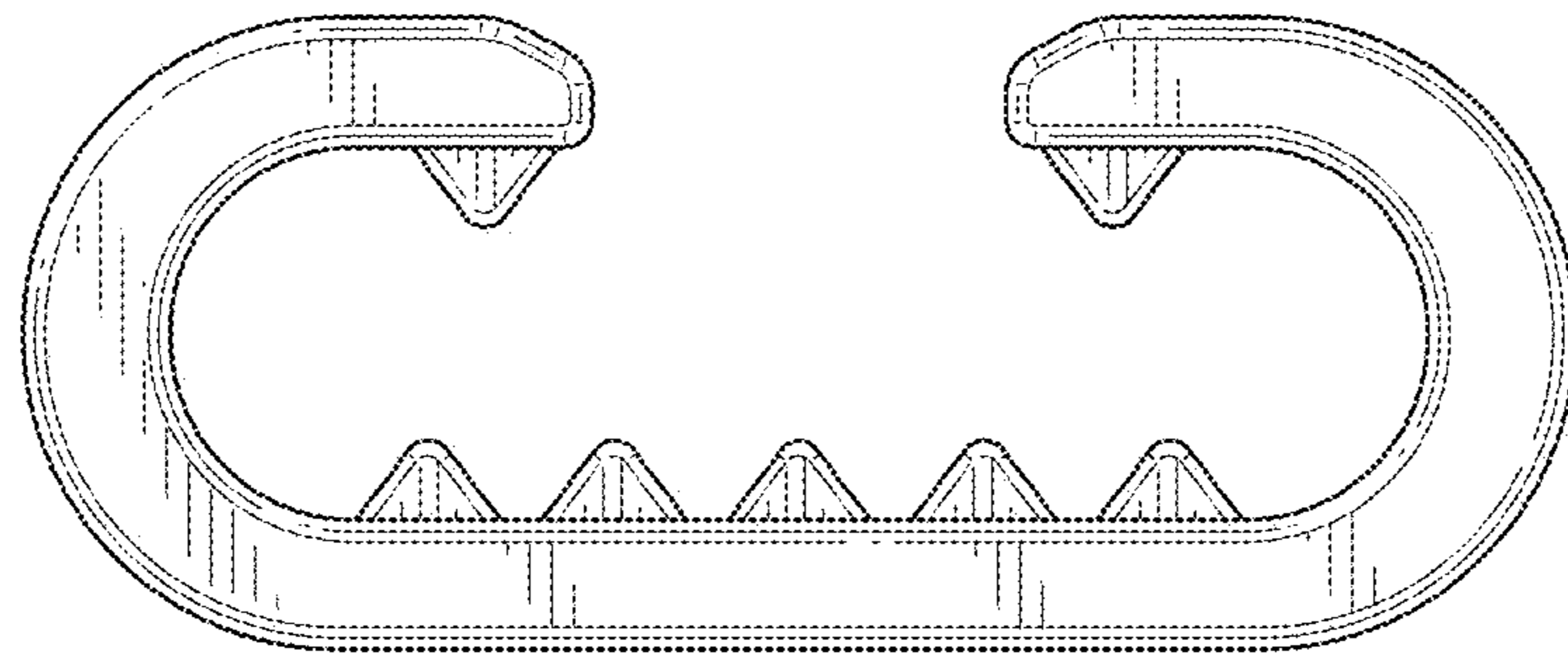


FIG. 3

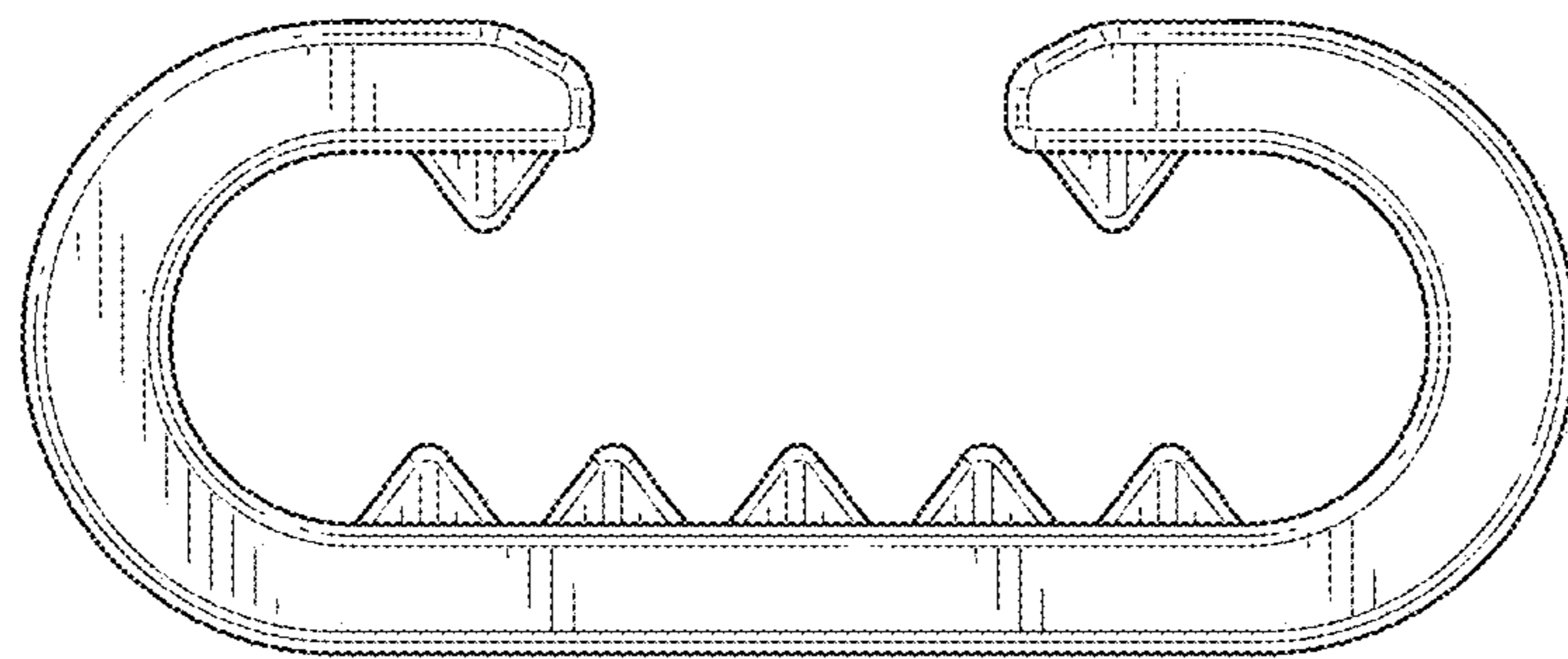


FIG. 4

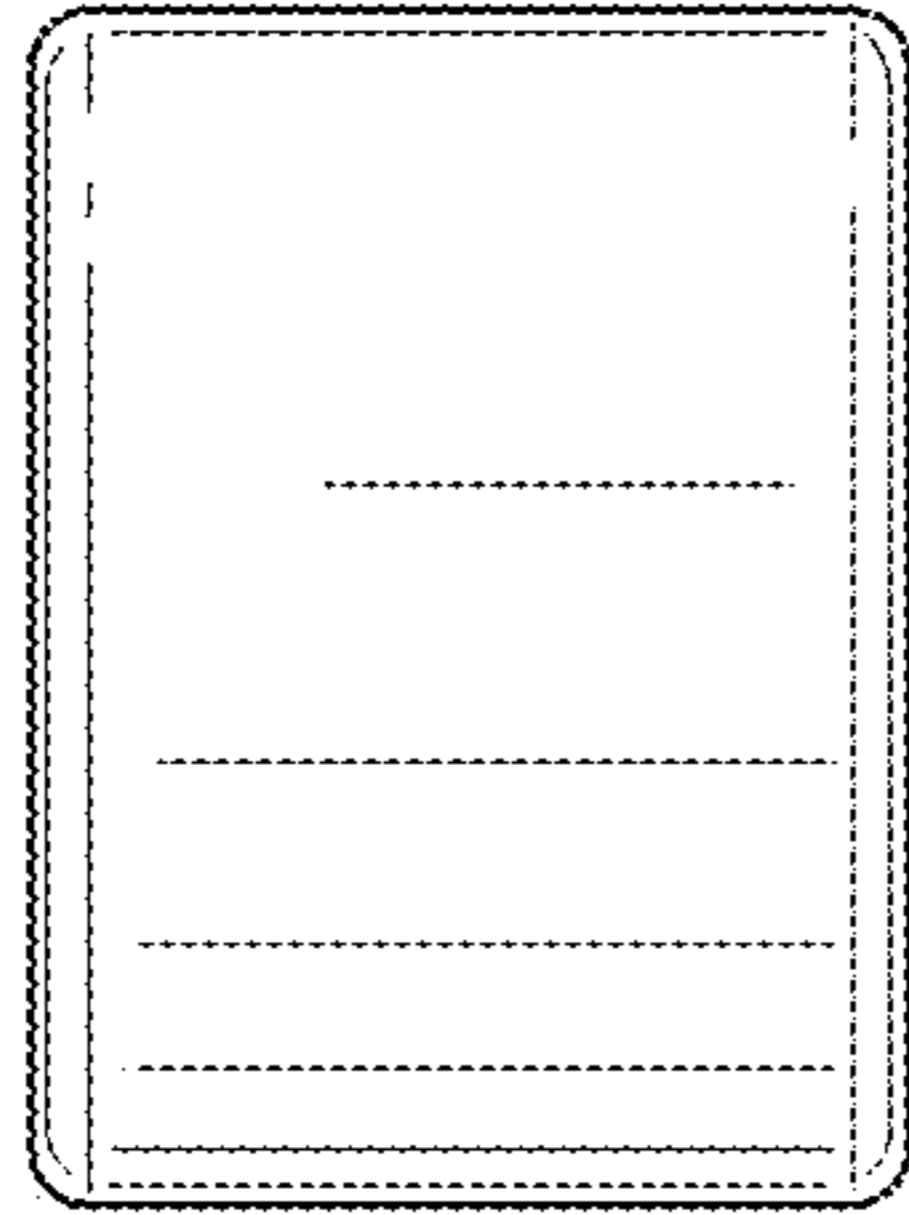


FIG. 5

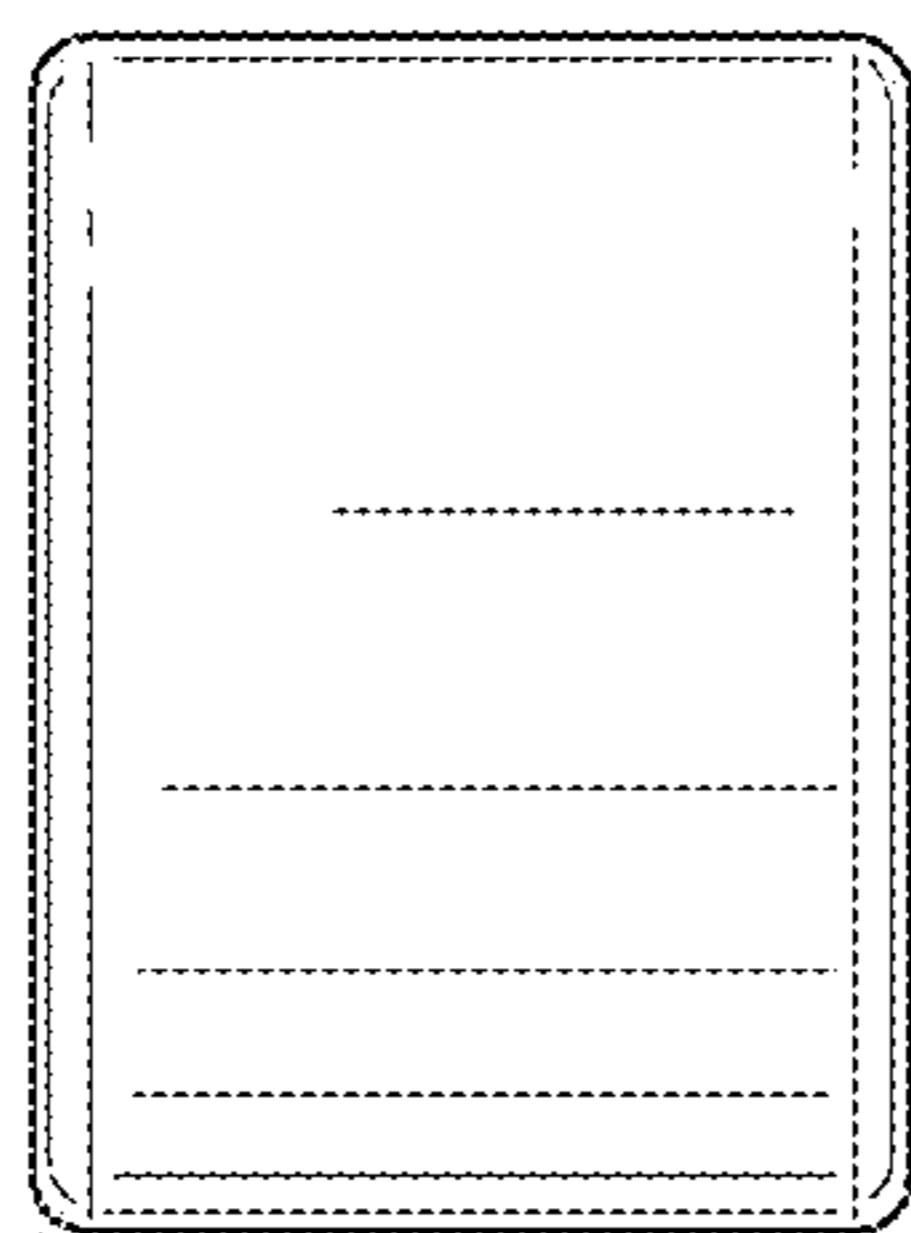


FIG. 6

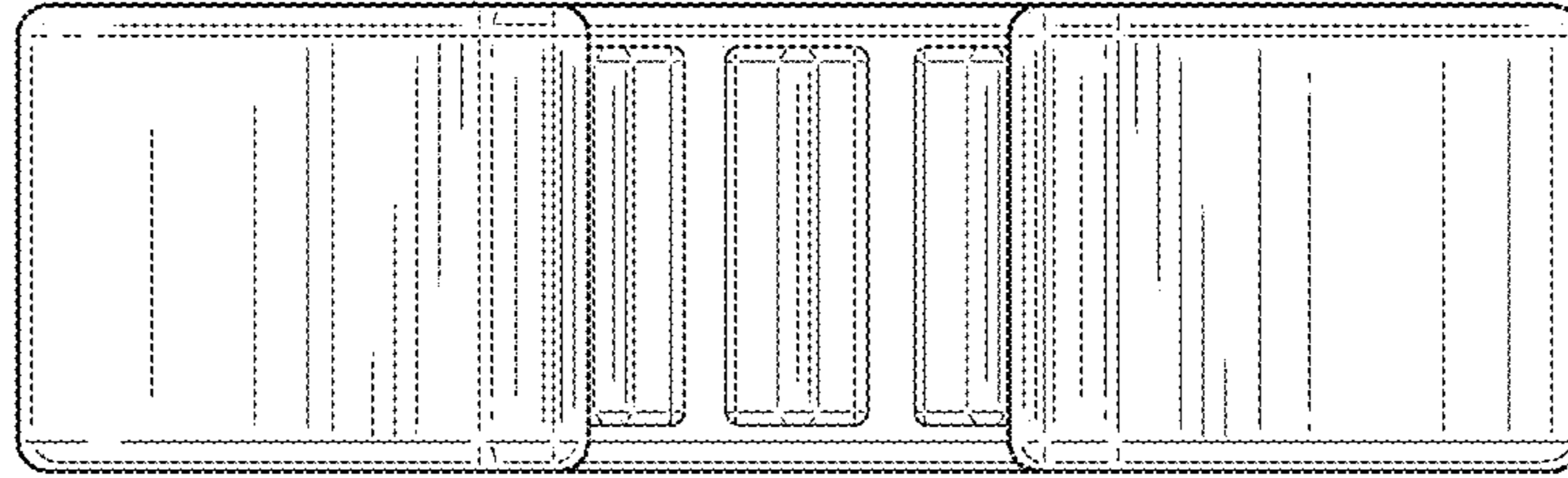


FIG. 7

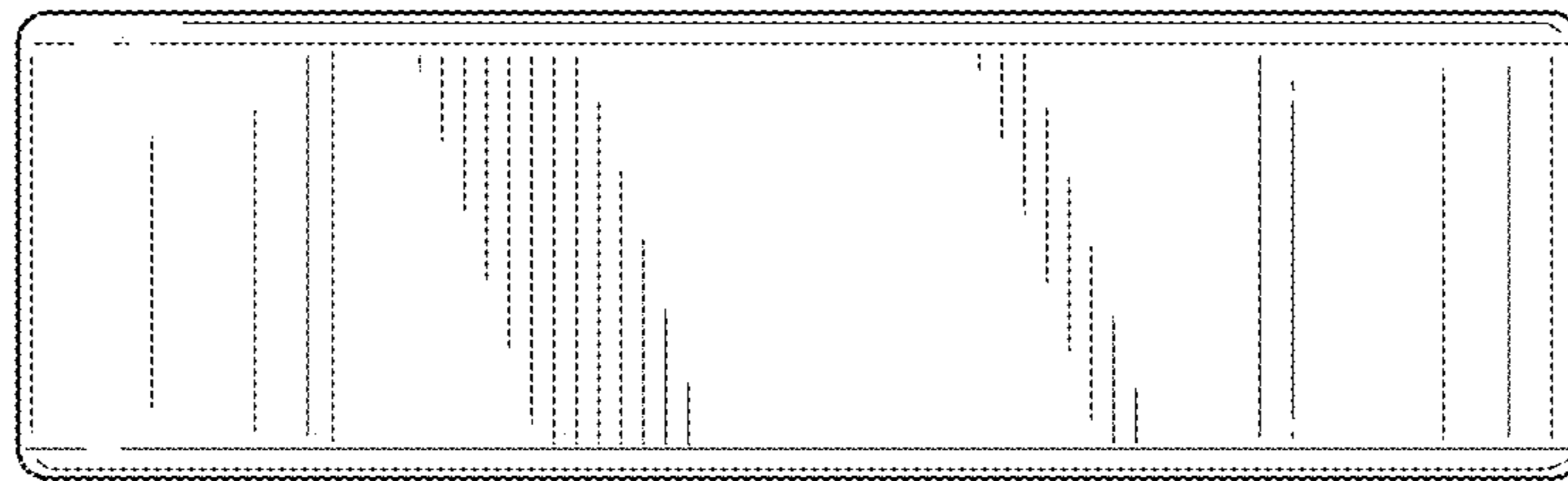


FIG. 8