



US00D892603S

(12) **United States Design Patent**  
**Axelsson**

(10) **Patent No.:** **US D892,603 S**  
(45) **Date of Patent:** **\*\* Aug. 11, 2020**

(54) **FASTENING DEVICE FOR AN ANTENNA**

(71) Applicant: **MAFI AB**, Mora (SE)

(72) Inventor: **Andreas Axelsson**, Malung (SE)

(73) Assignee: **MAFI AB**, Mora (SE)

(\*\*) Term: **15 Years**

(21) Appl. No.: **29/726,429**

(22) Filed: **Mar. 3, 2020**

**Related U.S. Application Data**

(62) Division of application No. 29/672,226, filed on Dec. 4, 2018.

**Foreign Application Priority Data**

Jun. 29, 2018 (EM) ..... 005331345

(51) **LOC (12) Cl.** ..... **08-08**

(52) **U.S. Cl.**  
USPC ..... **D8/382**

(58) **Field of Classification Search**  
USPC ..... D8/14, 71, 72, 349, 354, 355, 371, 380,  
D8/381, 382, 394, 396, 499; D10/103,  
D10/121; D13/133, 149, 154  
CPC .... F16B 2/12; F16B 2/065; F16B 7/00; F16B  
7/04; F16B 7/0446; F16B 7/0486; F16L  
3/02; F16L 3/10; F16L 3/1016; F16L  
3/1091; F16M 13/022; H01Q 1/12; H01Q  
1/1207; H01Q 1/1228; H01Q 1/125  
See application file for complete search history.

(56) **References Cited**

**U.S. PATENT DOCUMENTS**

476,241 A \* 6/1892 Bouscaren ..... E01B 11/36  
238/259  
1,002,391 A \* 9/1911 Gruender ..... E05D 11/1014  
16/335

2,901,303 A \* 8/1959 Anderson ..... B25H 5/00  
108/44  
2,970,287 A \* 1/1961 Gill ..... F16B 37/00  
439/92  
2,984,878 A \* 5/1961 Hartman ..... F16B 21/20  
24/305  
3,869,760 A \* 3/1975 Meyer ..... F16B 2/245  
24/562  
D257,664 S \* 12/1980 McKee ..... D8/354  
D257,665 S \* 12/1980 Young ..... D8/367  
4,646,395 A \* 3/1987 Mayszak ..... B21D 53/36  
24/135 R  
5,919,019 A \* 7/1999 Fischer ..... F16B 37/043  
411/112  
D420,566 S \* 2/2000 Ely ..... D8/354  
D425,403 S \* 5/2000 Medina ..... D8/354  
6,095,734 A \* 8/2000 Postadan ..... F16B 37/043  
411/173

(Continued)

*Primary Examiner* — Sandra S Snapp

*Assistant Examiner* — Ieisha N Price

(74) *Attorney, Agent, or Firm* — Nixon & Vanderhye P.C.

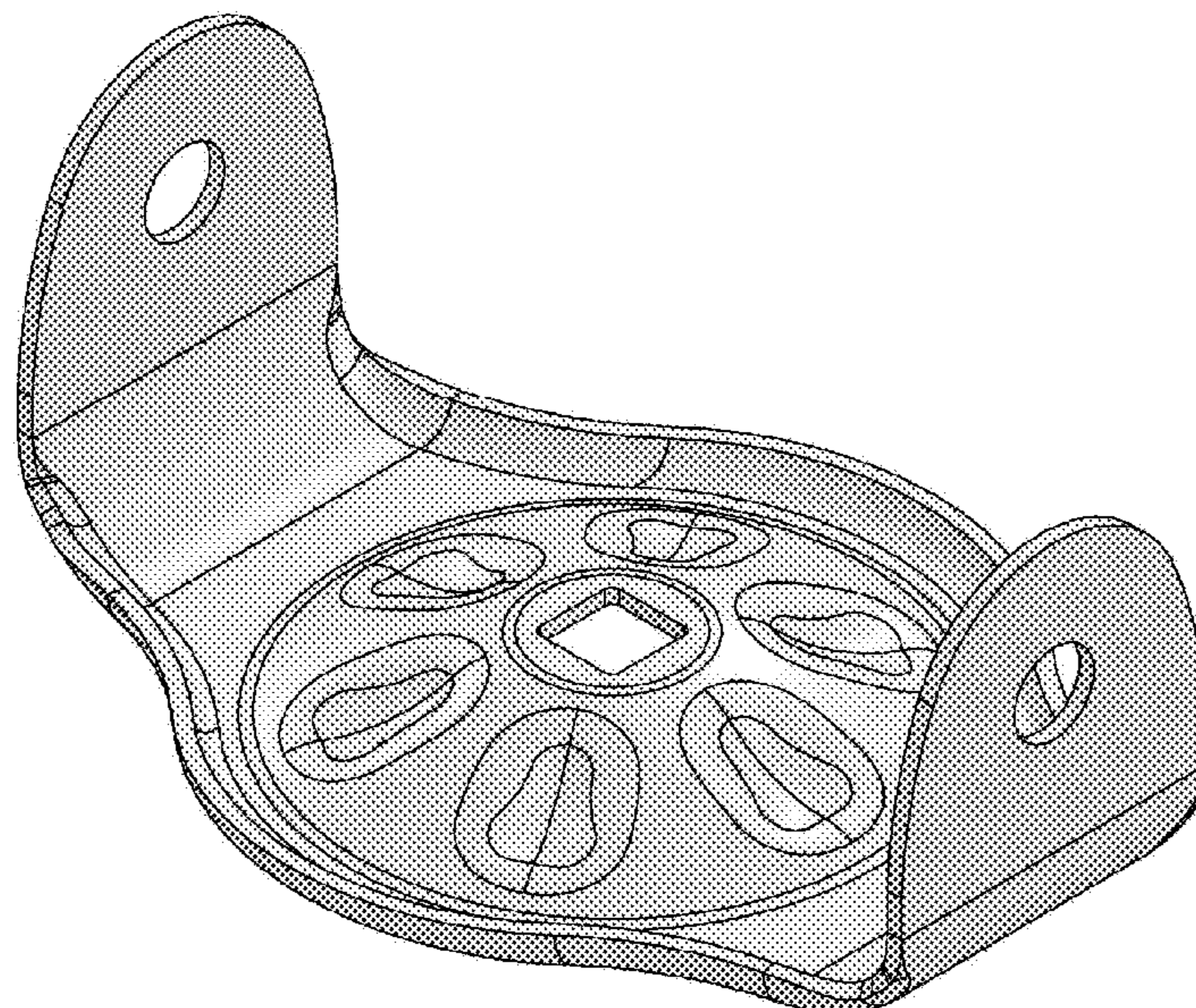
(57) **CLAIM**

The ornamental design for a fastening device for an antenna, as shown and described.

**DESCRIPTION**

FIG. 1 is a top perspective view of a fastening device for an antenna according to an embodiment of the present invention;  
FIG. 2 is a bottom perspective view thereof;  
FIG. 3 is a top view thereof;  
FIG. 4 is a bottom view thereof;  
FIG. 5 is a side view thereof, the opposite side being a mirror image;  
FIG. 6 is a front view thereof; and,  
FIG. 7 is a rear view thereof.

**1 Claim, 7 Drawing Sheets**



(56)

References Cited

U.S. PATENT DOCUMENTS

6,457,924 B1 \* 10/2002 Wallace ..... F16B 37/02  
 174/58  
 D500,441 S \* 1/2005 Senn ..... D8/323  
 D547,168 S \* 7/2007 Churchill ..... D8/382  
 D557,117 S \* 12/2007 Cannaverde ..... D8/354  
 D559,672 S \* 1/2008 Alexander ..... D8/384  
 D572,580 S \* 7/2008 Machida ..... D8/397  
 D576,479 S \* 9/2008 Alexander ..... D8/384  
 D579,321 S \* 10/2008 Townley ..... D8/354  
 D686,486 S \* 7/2013 Densmore ..... D8/349  
 9,086,086 B2 \* 7/2015 Bentrim ..... F16B 21/20  
 D758,178 S \* 6/2016 Kim ..... D8/396  
 D764,249 S \* 8/2016 Deveci ..... D8/72  
 D782,292 S \* 3/2017 Wessel ..... D8/382  
 D799,311 S \* 10/2017 Mamie ..... D8/382  
 D805,369 S \* 12/2017 Vassar ..... D8/349  
 D818,811 S \* 5/2018 Hattori ..... D8/397  
 D821,853 S \* 7/2018 Mikkelsen ..... D8/354  
 D850,892 S \* 6/2019 Lin ..... D8/373  
 10,320,164 B2 \* 6/2019 Garcia ..... H01R 4/4809  
 D874,913 S \* 2/2020 Buczynski ..... D8/395  
 D876,201 S \* 2/2020 Wassdahl ..... D8/349  
 D876,211 S \* 2/2020 Wassdahl ..... D8/382  
 2005/0095080 A1 \* 5/2005 Kim ..... F16B 21/02  
 411/349  
 2009/0223027 A1 \* 9/2009 Reznar ..... E04F 15/04  
 24/457  
 2013/0011187 A1 \* 1/2013 Schuit ..... F16B 2/065  
 403/287

\* cited by examiner

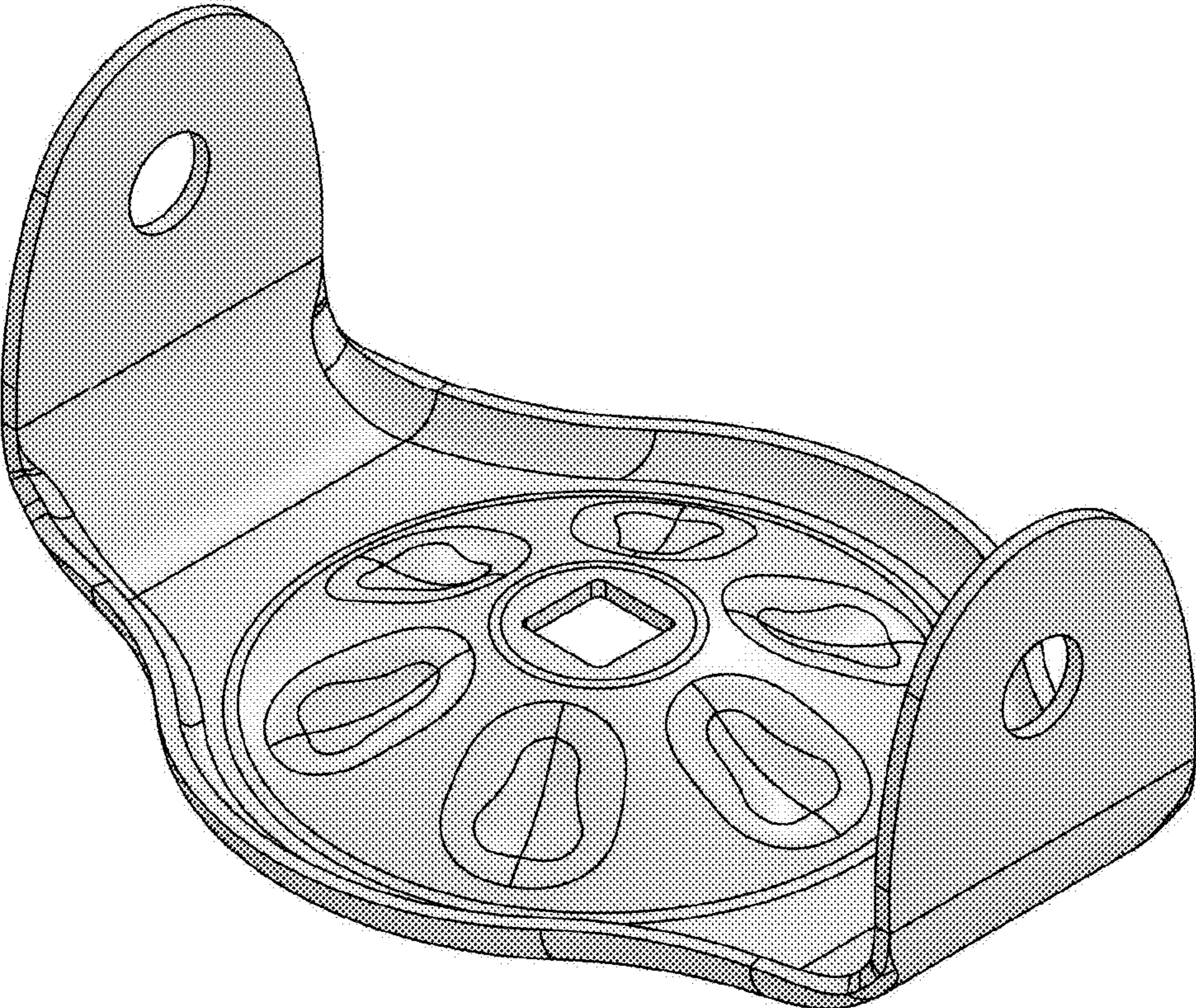


FIG. 1

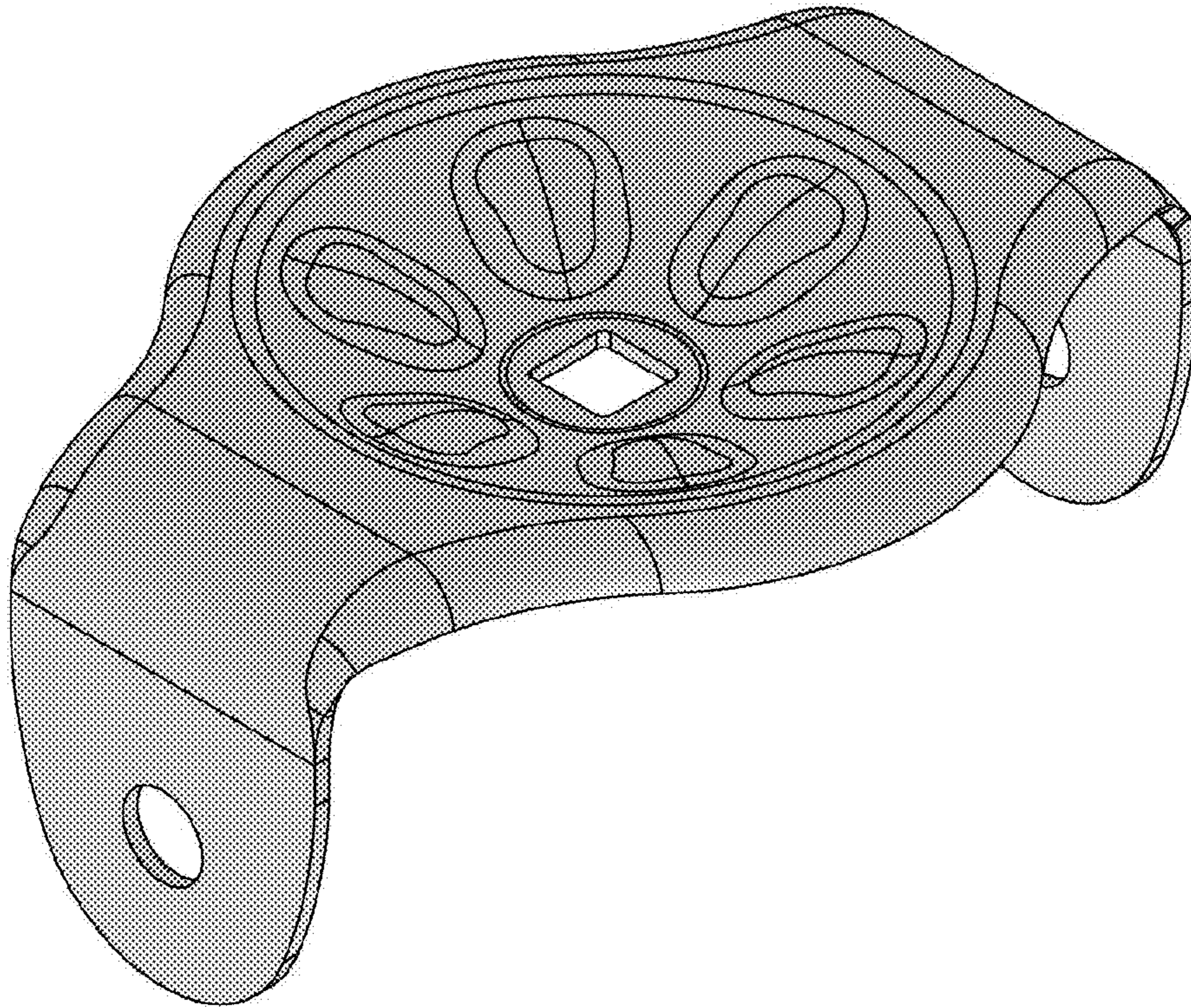


FIG. 2

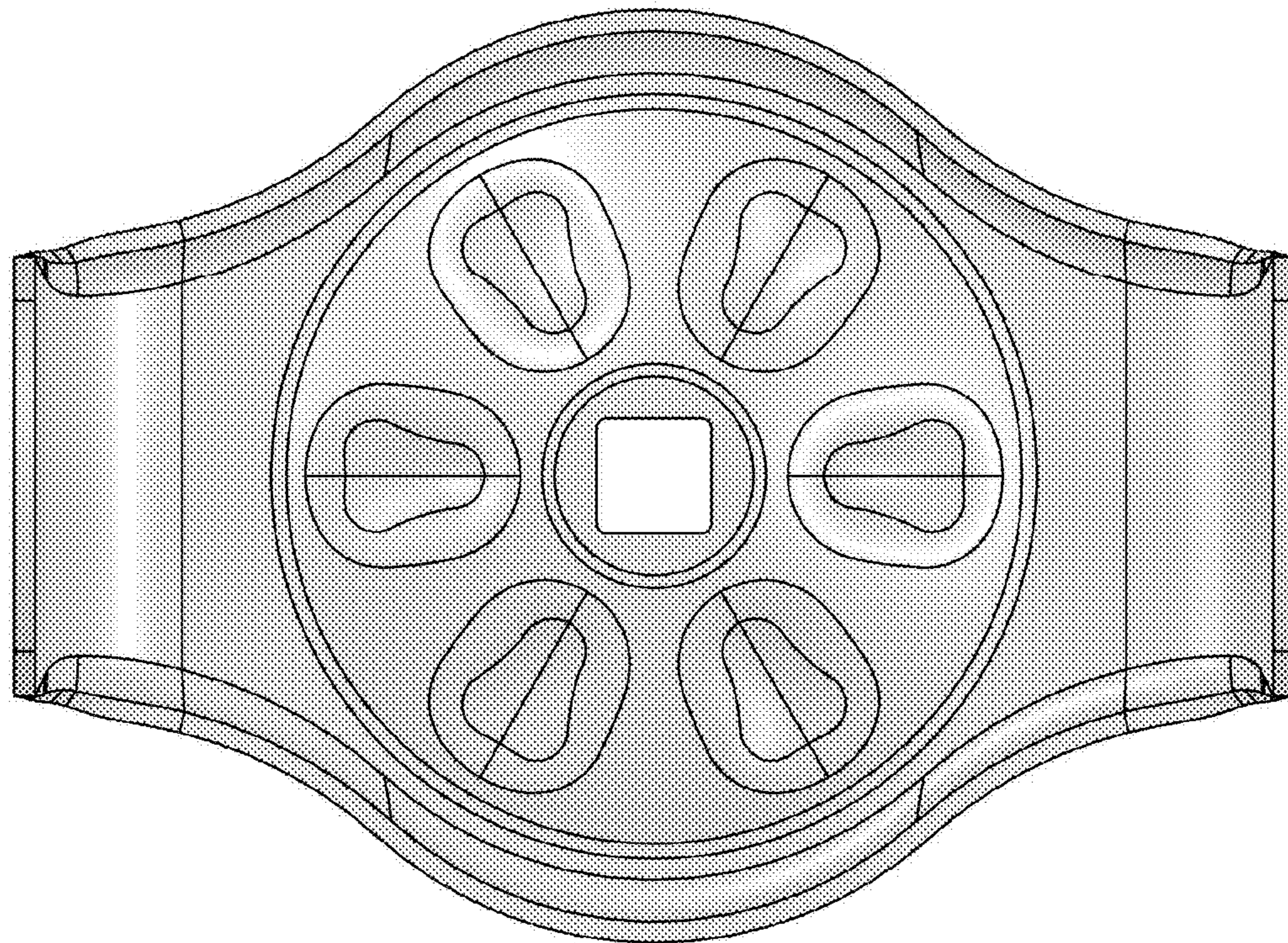


FIG. 3

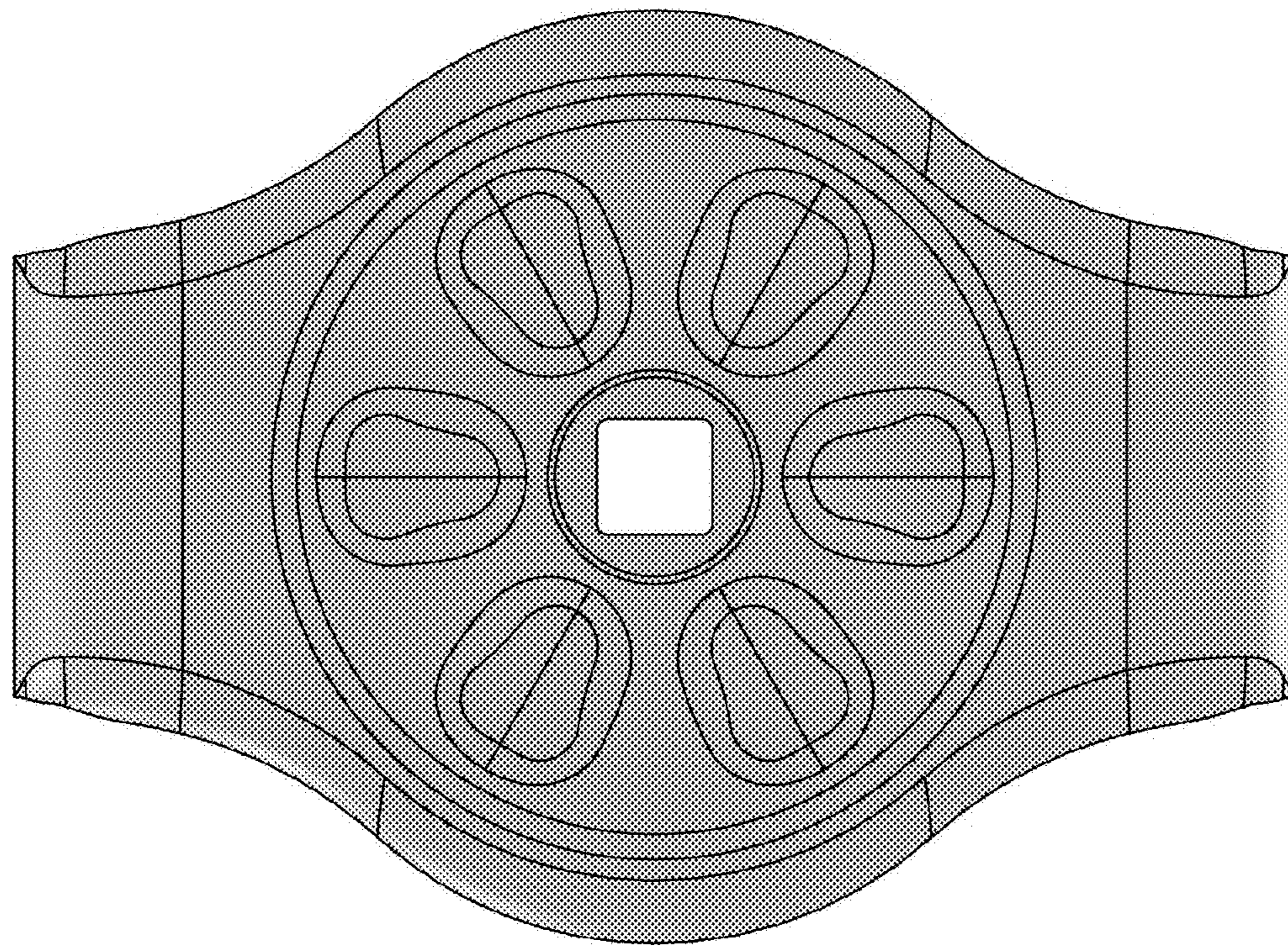


FIG. 4

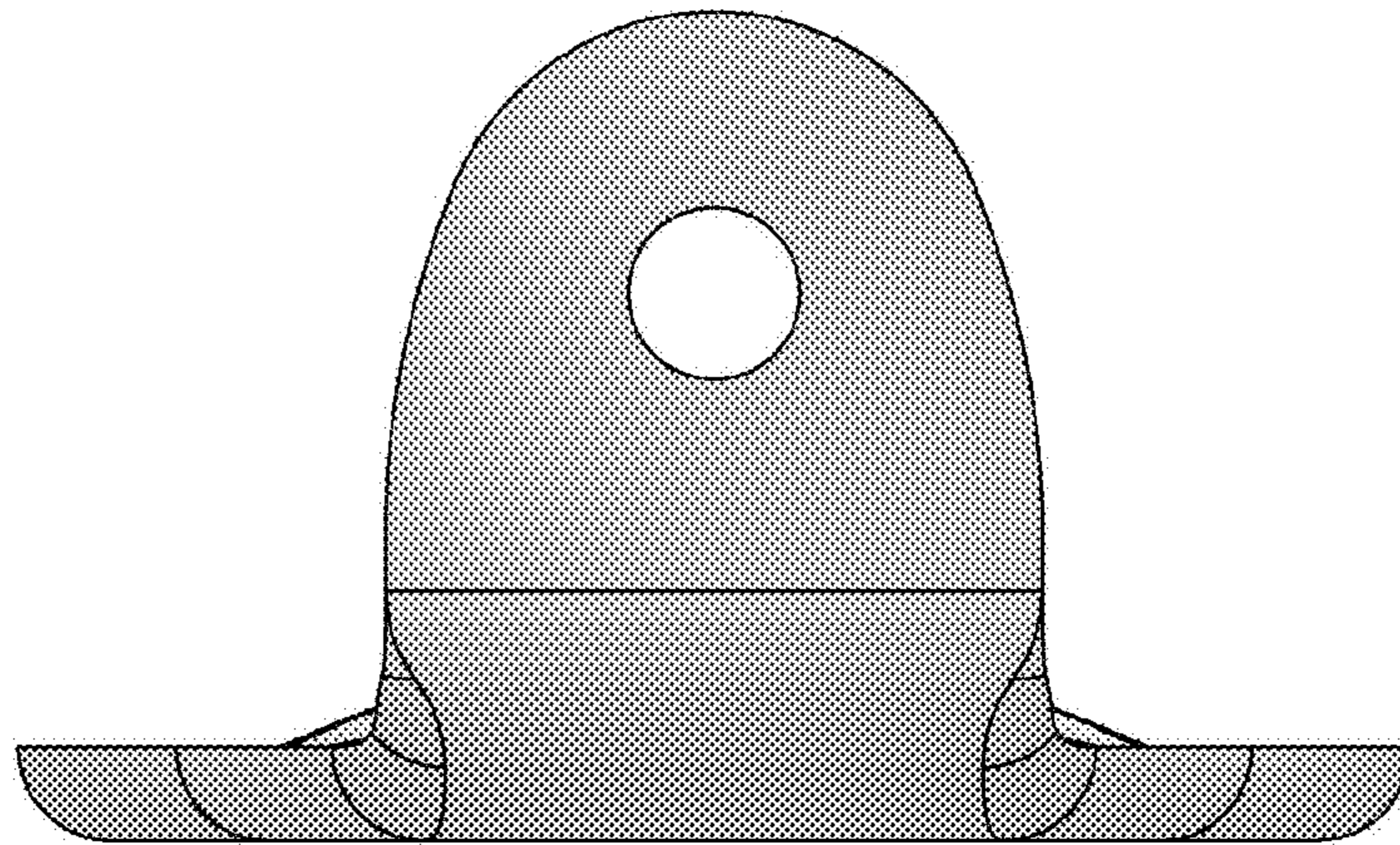


FIG. 5

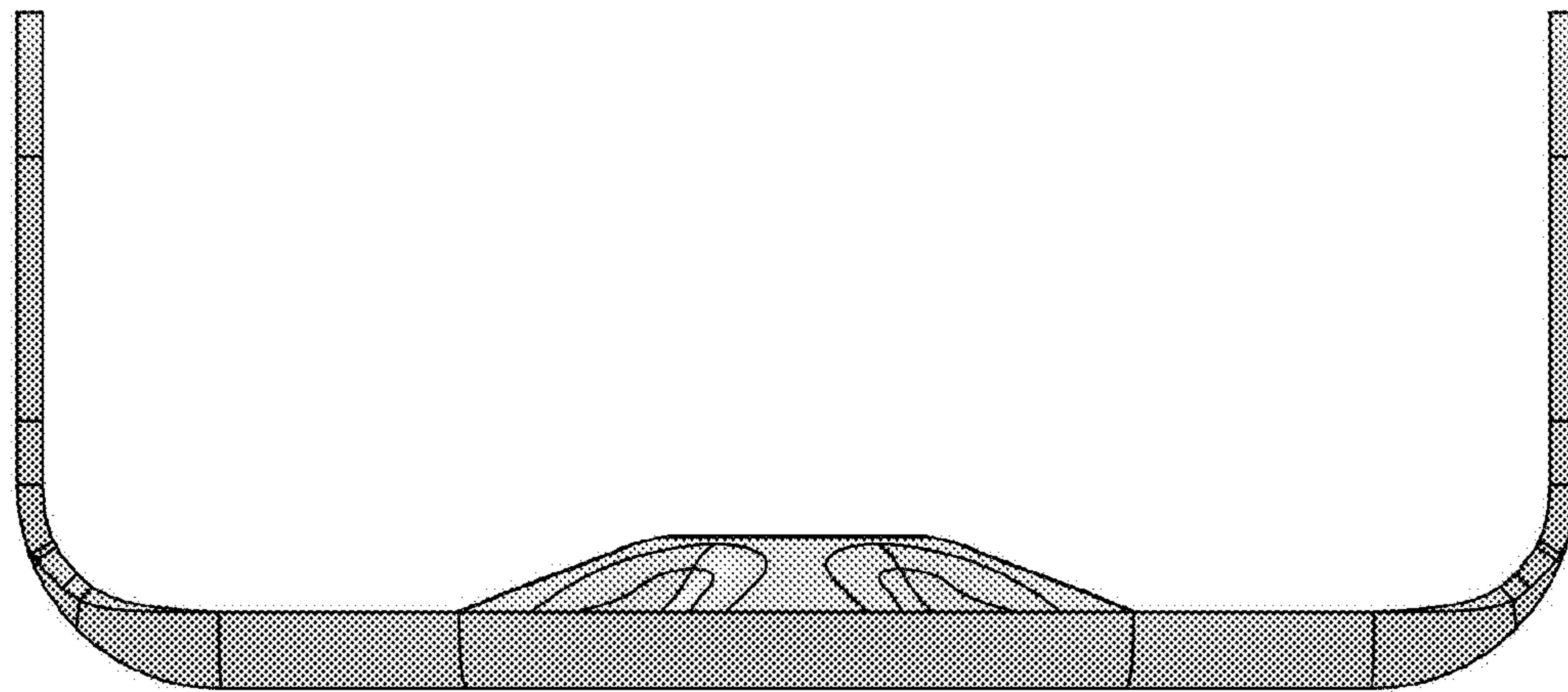


FIG. 6



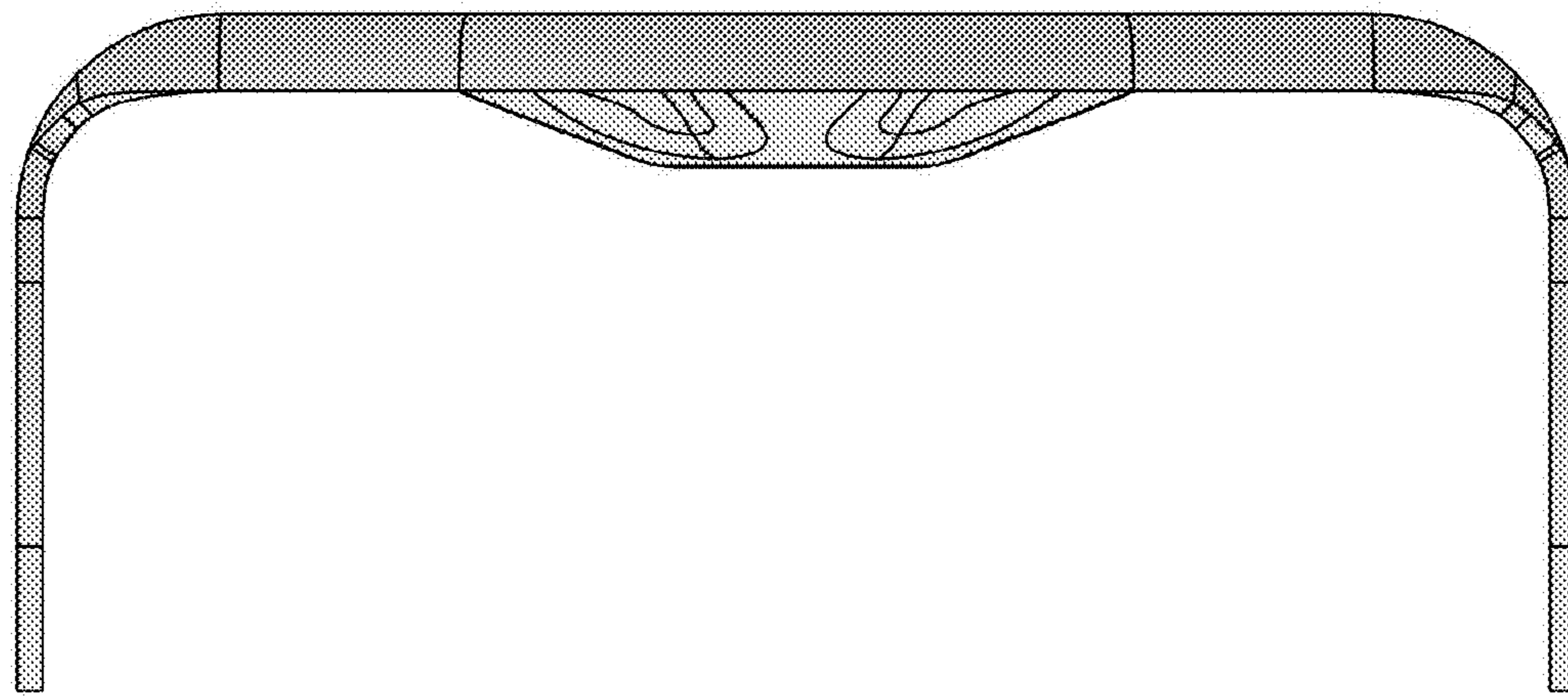


FIG. 7