



US00D892602S

(12) **United States Design Patent**
White

(10) **Patent No.:** **US D892,602 S**

(45) **Date of Patent:** **** Aug. 11, 2020**

(54) **PERPENDICULAR TO FLOOR SIGN
HOLDER WITH SIMPLE SHELF CLIP**

(71) Applicant: **K-International, Inc.**, Waukegan, IL
(US)

(72) Inventor: **Michael J. White**, Ripon, WI (US)

(73) Assignee: **K-International, Inc.**, Waukegan, IL
(US)

(**) Term: **15 Years**

(21) Appl. No.: **29/720,851**

(22) Filed: **Jan. 16, 2020**

Related U.S. Application Data

(62) Division of application No. 29/623,234, filed on Oct.
24, 2017, now Pat. No. Des. 877,601.

(51) **LOC (12) Cl.** **08-05**

(52) **U.S. Cl.**
USPC **D8/380**; D20/43; D8/373

(58) **Field of Classification Search**
USPC D8/321, 349, 354, 355, 366, 371, 373,
D8/380, 381, 400; D20/10, 42-44, 99;
(Continued)

(56) **References Cited**

U.S. PATENT DOCUMENTS

D173,720 S 12/1954 Carver et al.
D225,208 S * 11/1972 Miller D20/44
(Continued)

OTHER PUBLICATIONS

Flag Fast-Gripz 11 for Price Rails, Southern Imperial, posted at
southernimperial.com in 2015 Product Catalog, © 2015 u Southern
Imperial Inc., [online], site visited Aug. 3, 2017. Available from
Internet: <<http://www.southernimperial.com/pub/2015Catpages/2015-si-catalog-web.pdf>>CVC.

(Continued)

Primary Examiner — Cathron C Brooks

Assistant Examiner — Christian P. McLean

(74) *Attorney, Agent, or Firm* — Schiff Hardin LLP

(57) **CLAIM**

The ornamental design for a perpendicular to floor sign holder with simple shelf clip, as shown and described.

DESCRIPTION

FIG. 1 is a perspective view taken from the front, top, left side of a perpendicular to floor sign holder with simple shelf clip showing my new design according to a first embodiment;

FIG. 2 is a perspective view taken from the back, bottom, left side thereof;

FIG. 3 is a front elevational view thereof;

FIG. 4 is a back elevational view thereof;

FIG. 5 is a left side elevational view thereof, the right side elevational view thereof being a mirror image of the left side elevational view thereof;

FIG. 6 is a top plan view thereof;

FIG. 7 is a bottom plan view thereof;

FIG. 8 is a perspective view taken from the front, top, left side of the perpendicular to floor sign holder with simple shelf clip showing my new design according to a second embodiment;

FIG. 9 is a perspective view taken from the back, bottom, left side of the second embodiment;

FIG. 10 is a front elevational view according to the second embodiment;

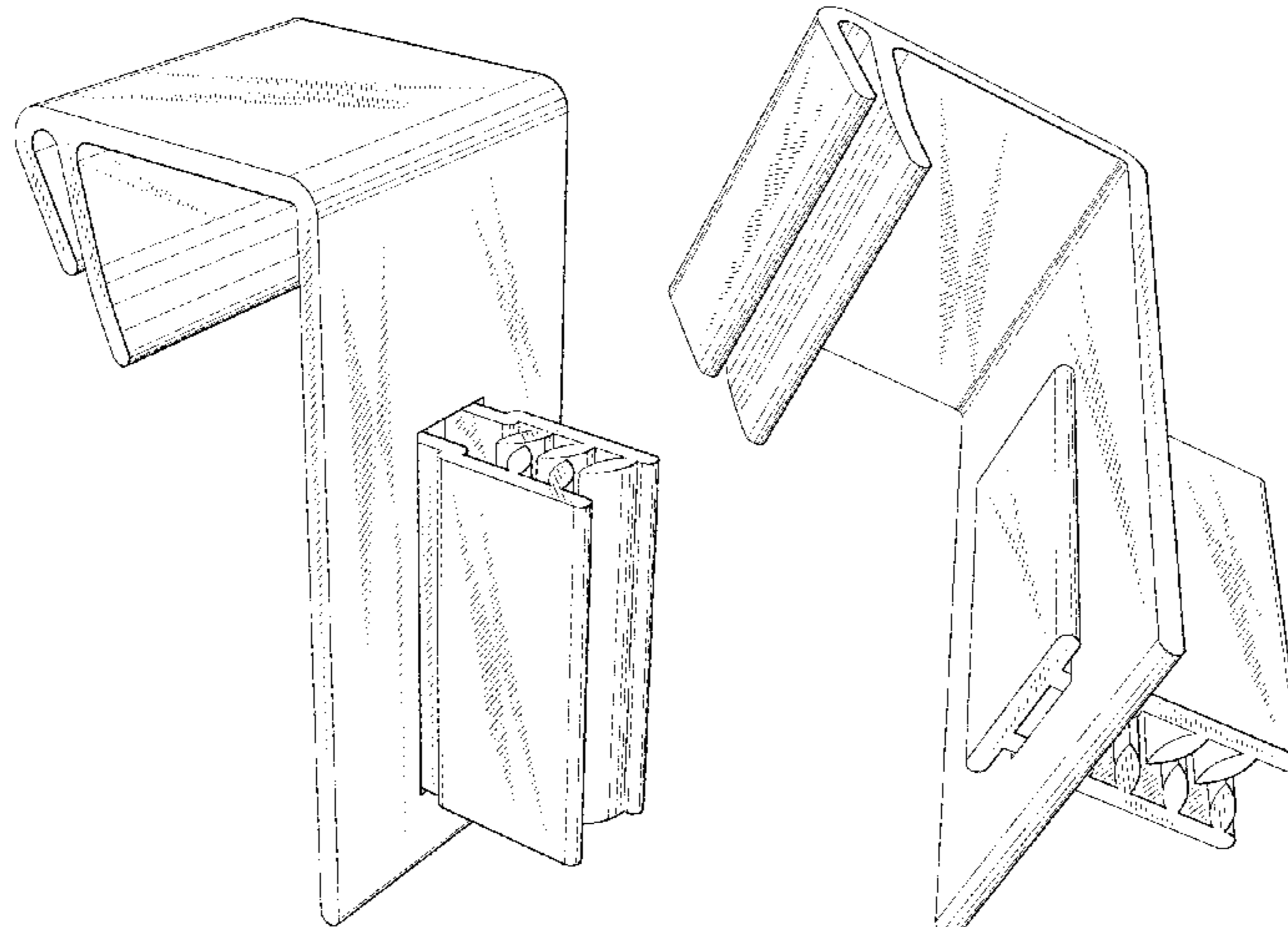
FIG. 11 is a back elevational view according to the second embodiment;

FIG. 12 is a left side elevational view according to the second embodiment, the right side elevational view according to the second embodiment being a mirror image of the left side elevational view according to the second embodiment;

FIG. 13 is a top plan view according to the second embodiment; and,

FIG. 14 is a bottom plan view according to the second embodiment.

1 Claim, 7 Drawing Sheets



(58) **Field of Classification Search**

USPC D9/457; D14/374; D25/119; D6/325,
D6/328
CPC G09F 7/16; G09F 2007/122; G09F 13/00;
G09F 13/04; G09F 13/06; G09F 13/18;
G09F 13/22; G09F 13/24; G09F 13/26;
G09F 2013/1895; G09F 15/00; B29C
65/52; B29C 65/56; B23P 19/00; B32B
37/02; B32B 38/00

See application file for complete search history.

(56)

References Cited

U.S. PATENT DOCUMENTS

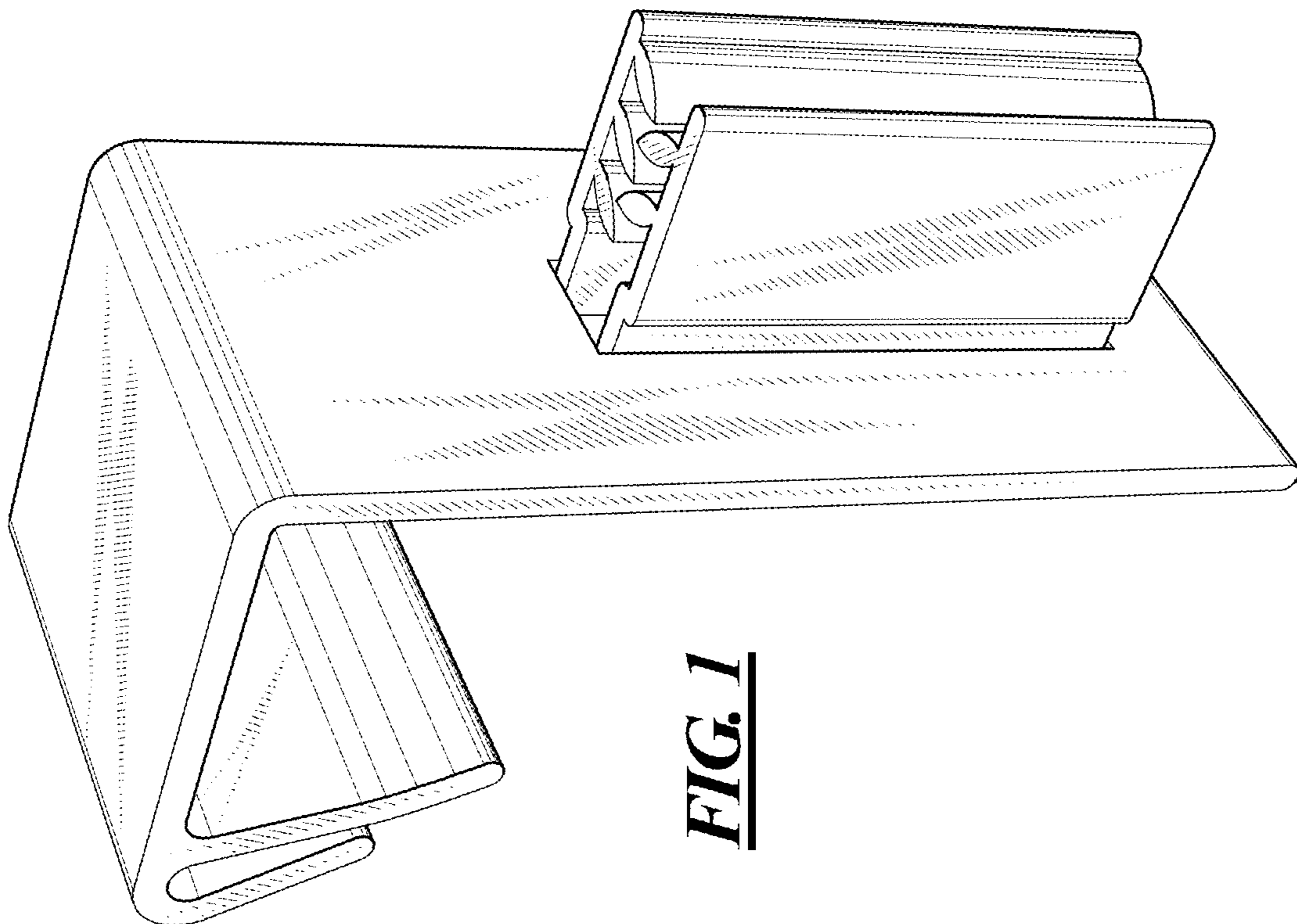
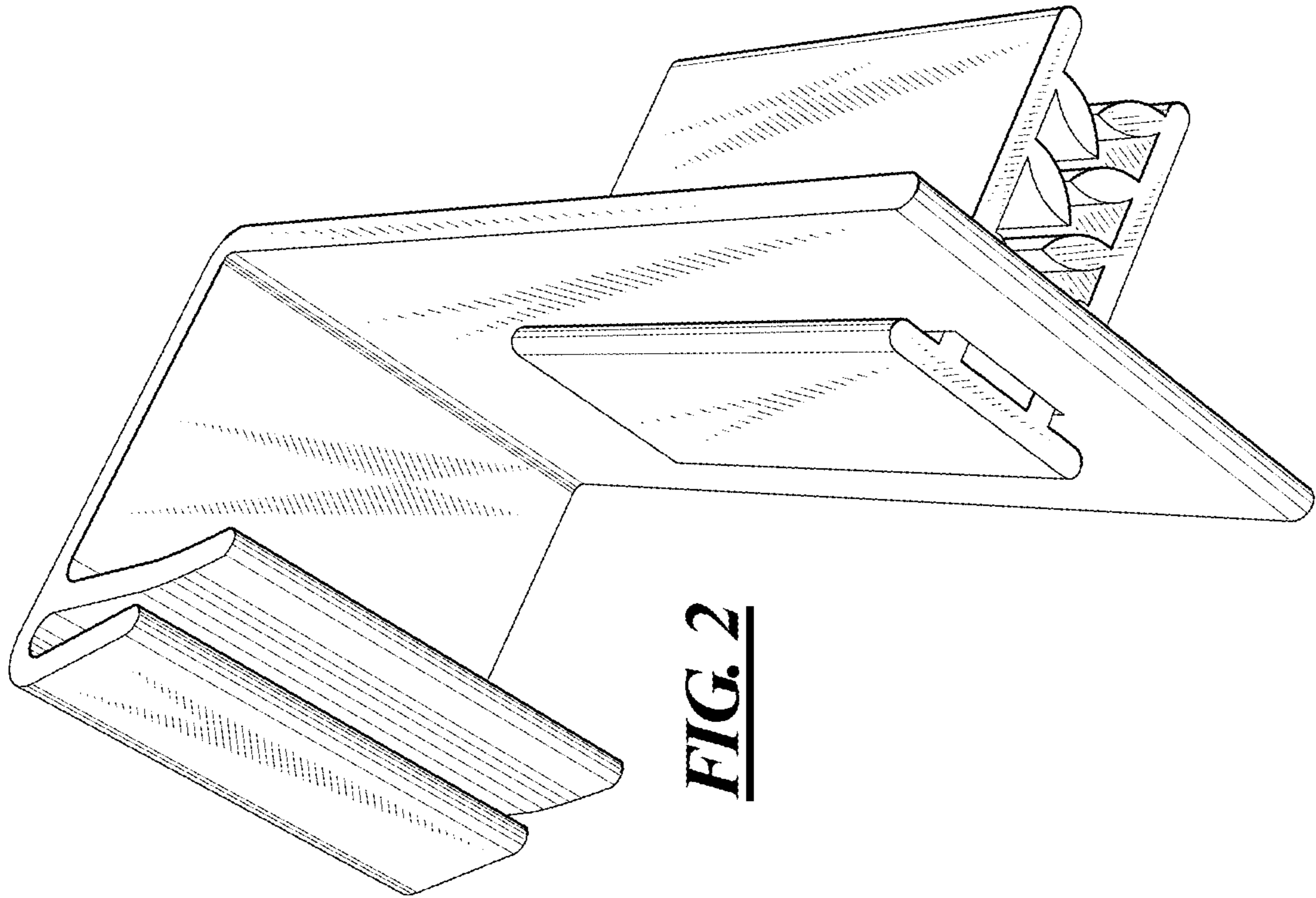
D243,581 S 3/1977 Goss, Jr. et al.
D275,867 S 10/1984 Lazzara et al.
D290,931 S 7/1987 Powell
5,275,367 A 1/1994 Frye
D366,207 S 1/1996 Thompson
D377,505 S 1/1997 Thompson
5,863,019 A 1/1999 Rose et al.
D407,010 S 3/1999 Sobczynski
D419,859 S 2/2000 Marsh
D423,592 S 4/2000 Wamsley
D426,584 S 6/2000 Czalkiewicz
6,082,687 A 7/2000 Kump et al.
D436,311 S 1/2001 Edvardsson
D453,534 S 2/2002 Kosir
D453,798 S 2/2002 Gray
D454,373 S 3/2002 Kosir
D454,593 S 3/2002 Kosir
D454,918 S 3/2002 Wamsley et al.
D454,962 S 3/2002 Grace
6,467,742 B1 10/2002 Pitcher
D471,787 S 3/2003 Gebrara
D471,788 S 3/2003 Gebara
D480,949 S 10/2003 Kosir
D483,249 S 12/2003 Klein et al.
D483,250 S 12/2003 Klein et al.
D487,115 S 2/2004 Kosir
D487,290 S 3/2004 Kosir
D494,045 S 8/2004 Van Essen et al.
D494,047 S 8/2004 Klein et al.
D494,050 S 8/2004 Klein et al.
D494,844 S 8/2004 Klein et al.
D511,548 S 11/2005 Wamsley
D514,166 S * 1/2006 Brinkman D20/44
D525,371 S 7/2006 Levi-Senigaglia
D546,892 S 7/2007 Bruegmann
D556,014 S 11/2007 Wurdack
D569,916 S 5/2008 Garfinkle
D595,782 S * 7/2009 Whitfield D20/43
7,703,732 B2 * 4/2010 Dantuono A47G 7/045
211/90.03
D616,033 S 5/2010 Kurmlavage
D632,159 S 2/2011 Charette
D651,256 S 12/2011 Garfinkle
D651,257 S * 12/2011 Garfinkle D20/43

D659,196 S * 5/2012 Walker D20/43
D669,136 S 10/2012 Bruegmann
8,308,880 B2 11/2012 White
D689,949 S 9/2013 Valls et al.
D692,955 S 11/2013 Kopco
D693,483 S 11/2013 Krieger
D702,466 S 4/2014 Kim
D702,620 S 4/2014 Read et al.
8,707,599 B2 4/2014 White et al.
D704,834 S 5/2014 Bacon et al.
8,793,913 B1 8/2014 Zobel et al.
D727,651 S * 4/2015 San Martin D6/513
9,038,300 B2 5/2015 Theisen et al.
9,131,787 B2 9/2015 Berglund et al.
D742,728 S 11/2015 Ostler
D745,192 S 12/2015 Suciu et al.
D748,730 S 2/2016 Kopco
D748,731 S 2/2016 Kopco
D748,732 S 2/2016 Kopco
D750,710 S 3/2016 Watson et al.
D768,243 S 10/2016 Garfinkle
D769,372 S 10/2016 White
D784,044 S * 4/2017 Sokoly D6/552
D787,602 S 5/2017 Watson et al.
D787,603 S 5/2017 Watson et al.
D787,604 S 5/2017 Watson et al.
D788,227 S 5/2017 Watson et al.
D791,580 S 7/2017 Chou
D815,515 S 4/2018 White
D818,363 S 5/2018 Kovacs
D829,823 S 10/2018 White
D833,175 S 11/2018 Miroshnichenko et al.
D848,827 S * 5/2019 White D8/381
D851,786 S 6/2019 Ksiezopolski et al.
D863,048 S 10/2019 White
D877,601 S * 3/2020 White D8/380
2011/0214321 A1 9/2011 White
2012/0110883 A1 * 5/2012 White G09F 15/00
40/606.01
2013/0233500 A1 9/2013 Chen
2016/0275828 A1 9/2016 White
2017/0261018 A1 9/2017 Gibb et al.
2017/0263164 A1 9/2017 Gibb et al.

OTHER PUBLICATIONS

See Related U.S. Appl. No. 29/575,659, filed Aug. 26, 2016, entitled
“Perpendicular to Floor Sign Holding Clip”.
“ShelfTalker Sign Holders for Price Channels, for Flag Signs, Set of
100—Clear.” displays2go.com. Reviewed Nov. 30, 2018, Accessed
Jul. 17, 2019. Available online at URL: <https://www.displays2go.com/P-22284/Price-Channel-Holders-For-Retail-Display-Set-of-100-units> (Year: 2018).
“Shelf Talker Sign Holders for Price Channels, Front Facing, Set of
100—Clear.” storefixture.com. Date not available. Accessed Jul.
17, 2019. Available on line at URL: <https://www.storefixture.com/P-22282/Shelf-Talker-Clip-For-POP-Display-Set-of-100-units> (Year:
N/A).

* cited by examiner



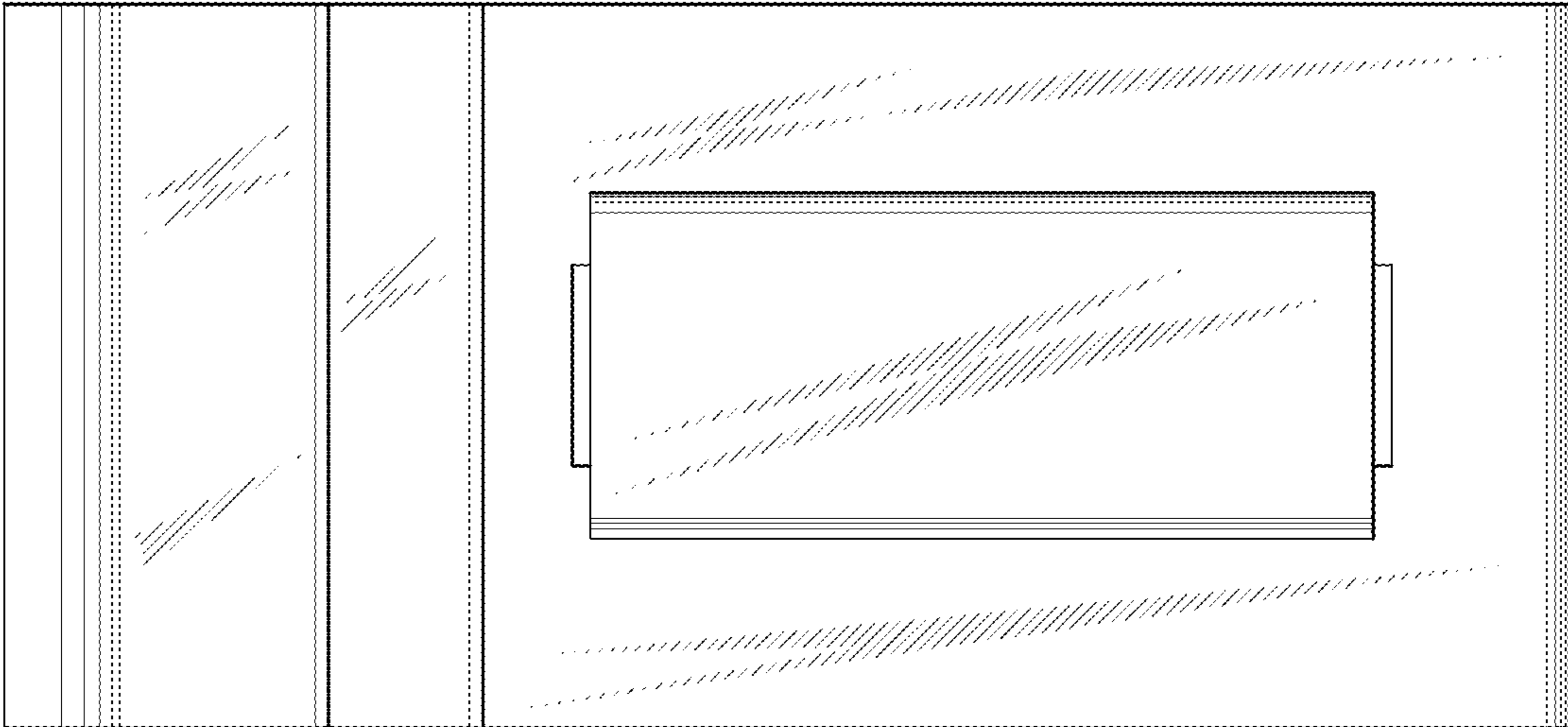


FIG. 4

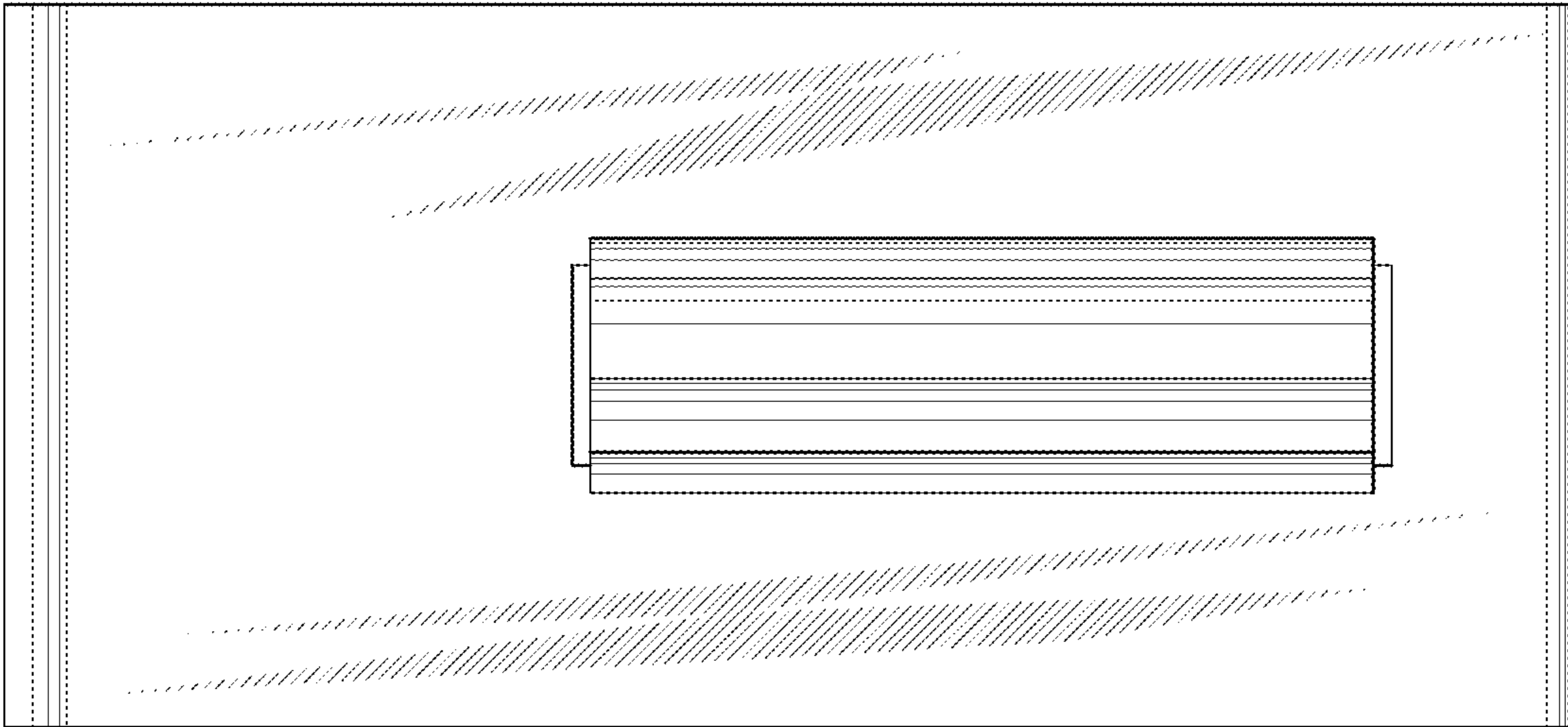


FIG. 3

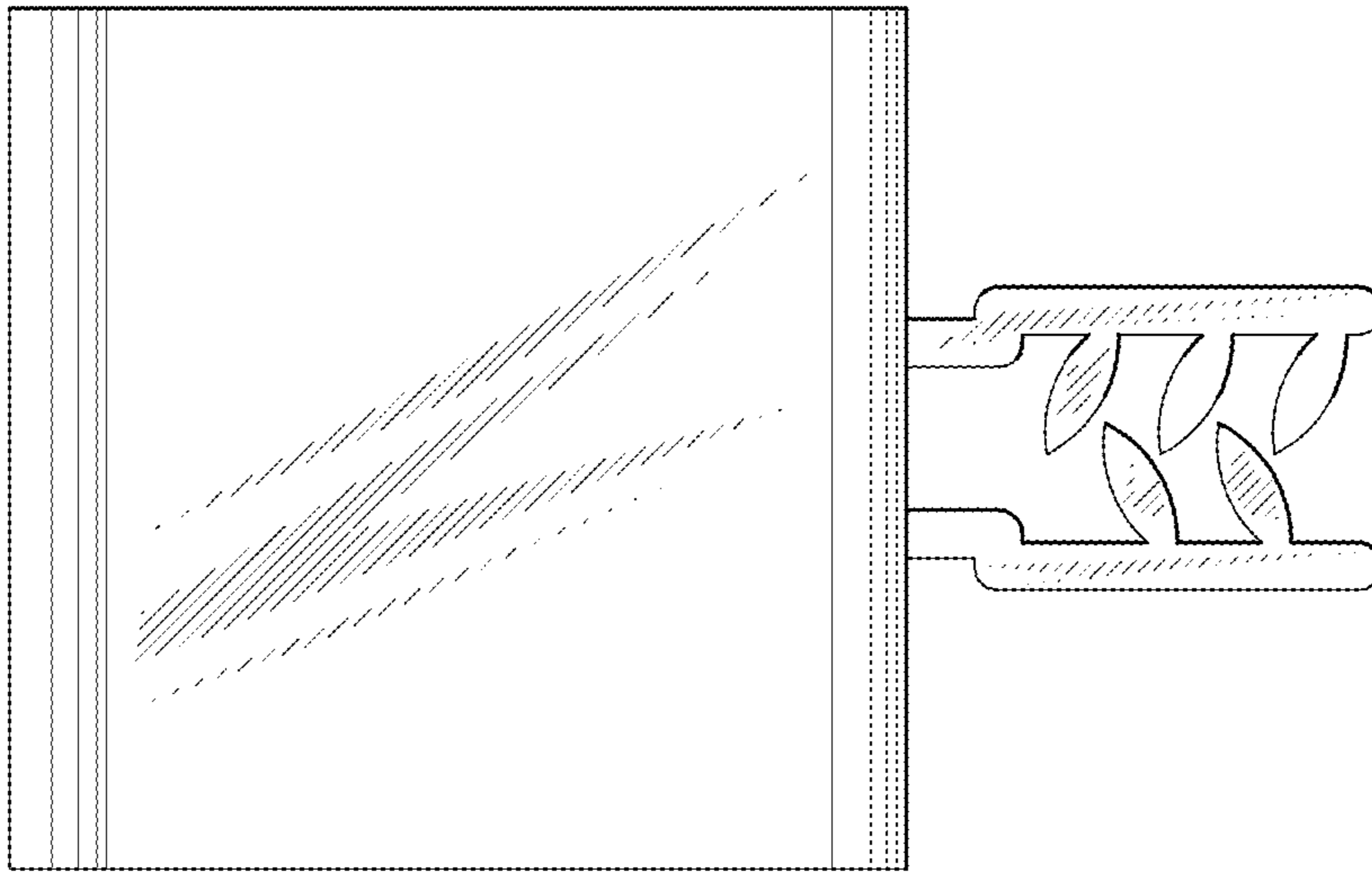


FIG. 6

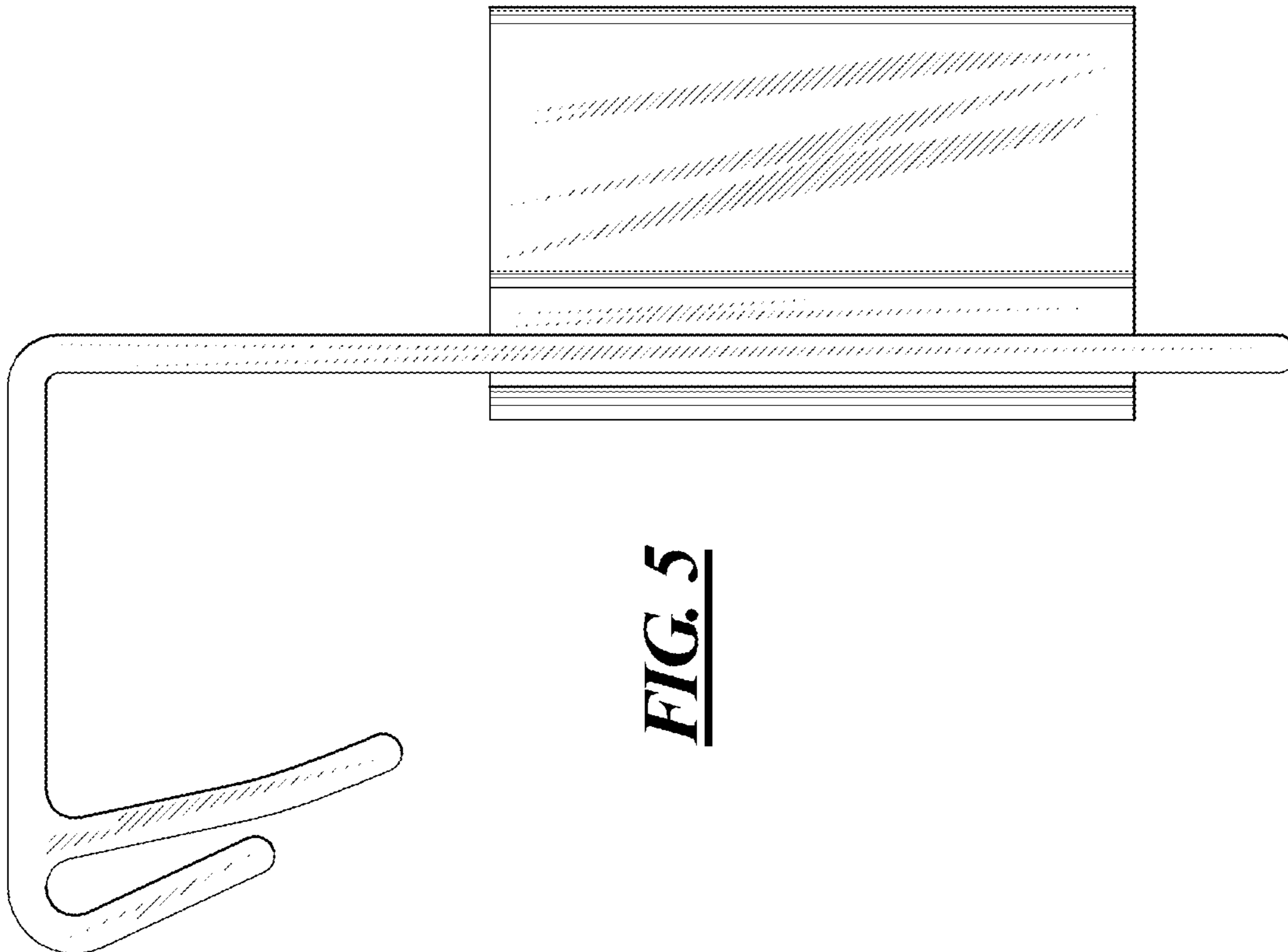


FIG. 5

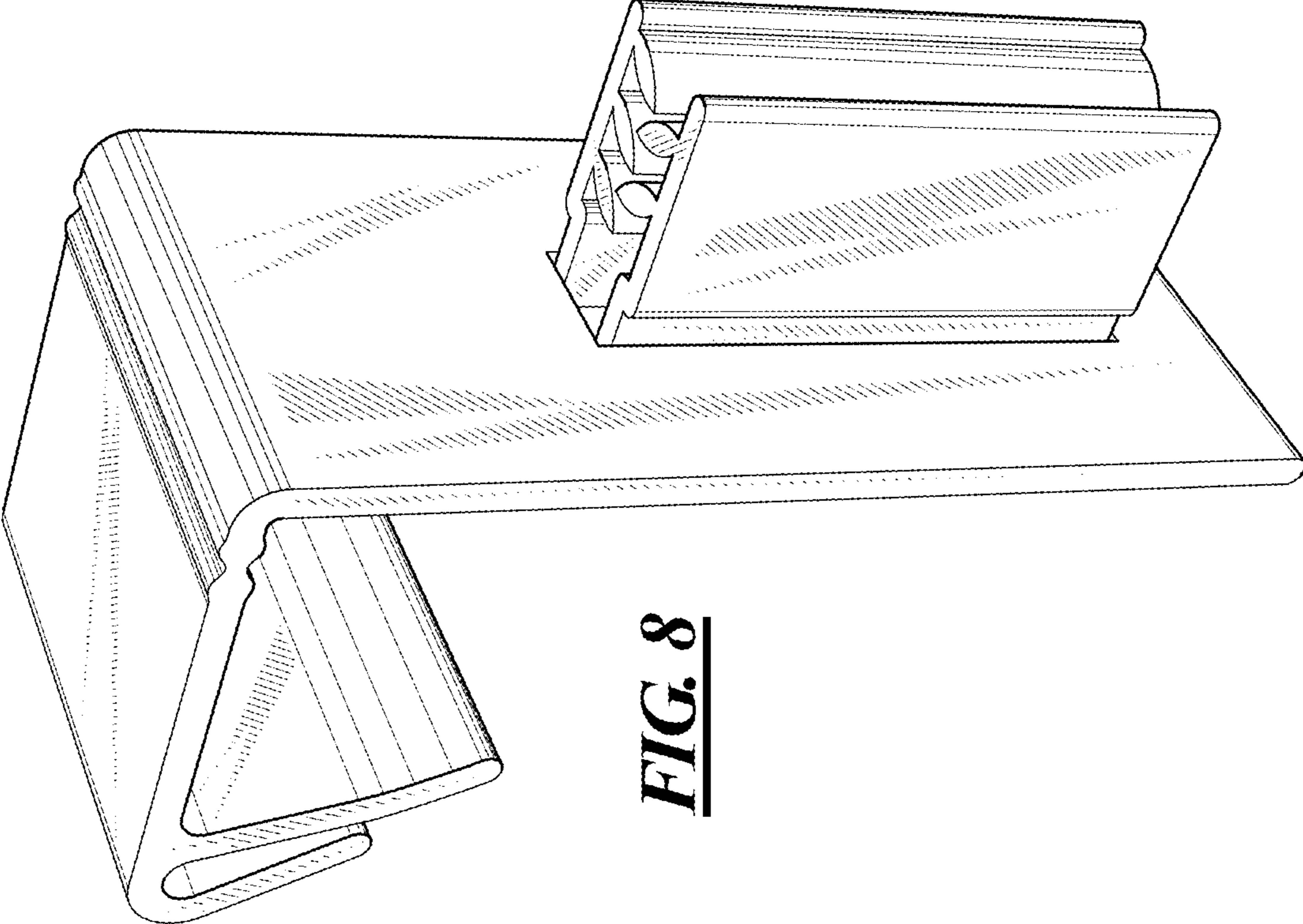


FIG. 8

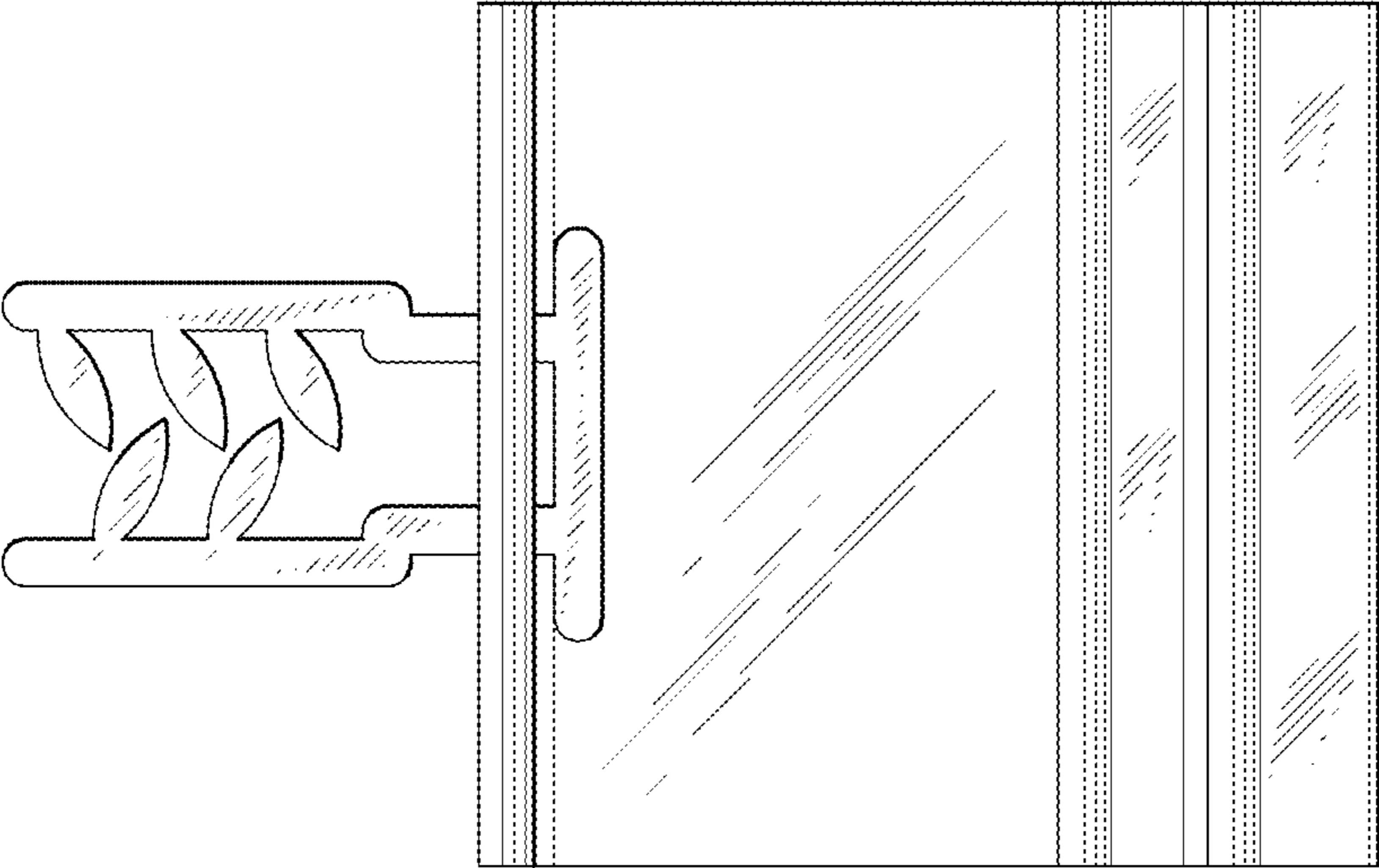


FIG. 7

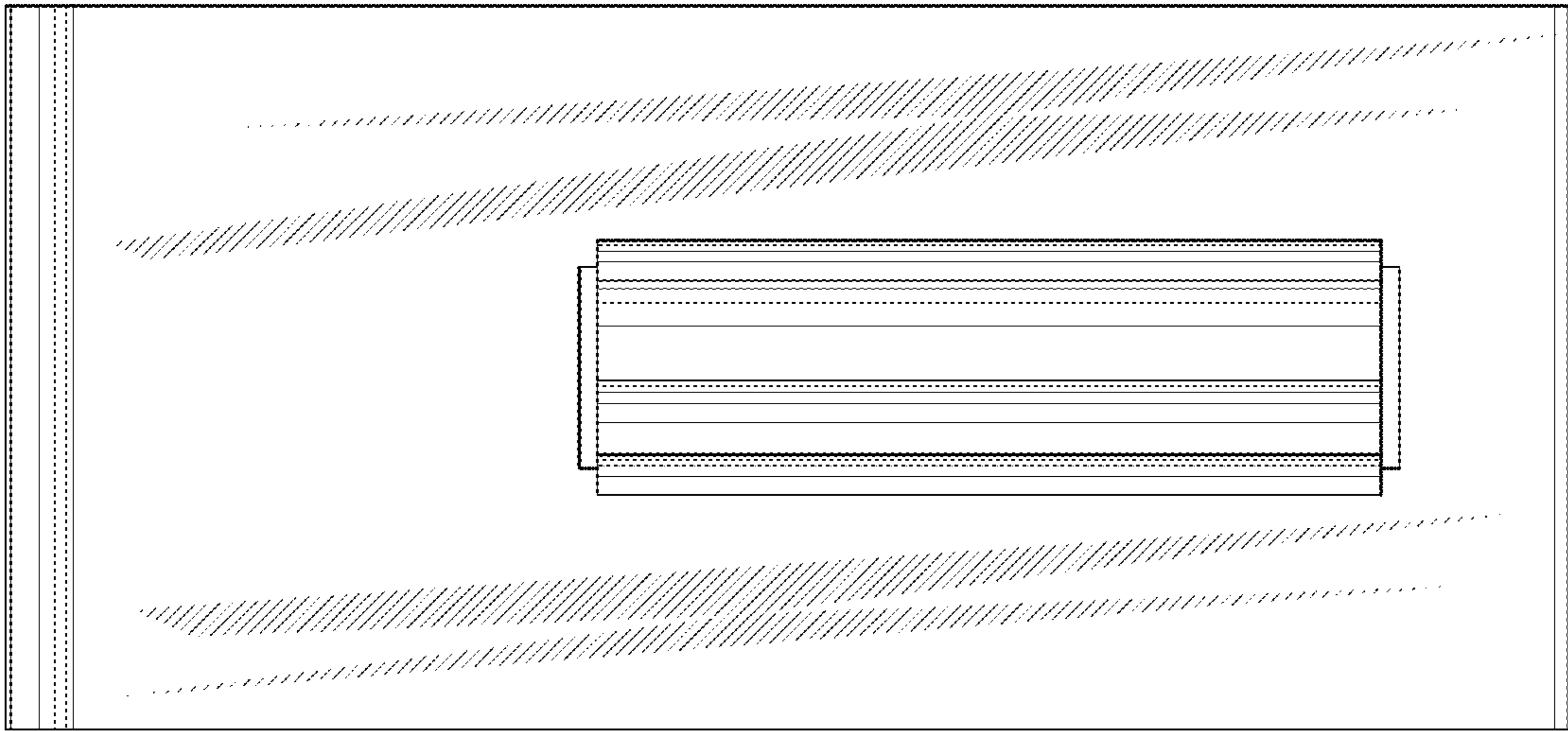


FIG. 10

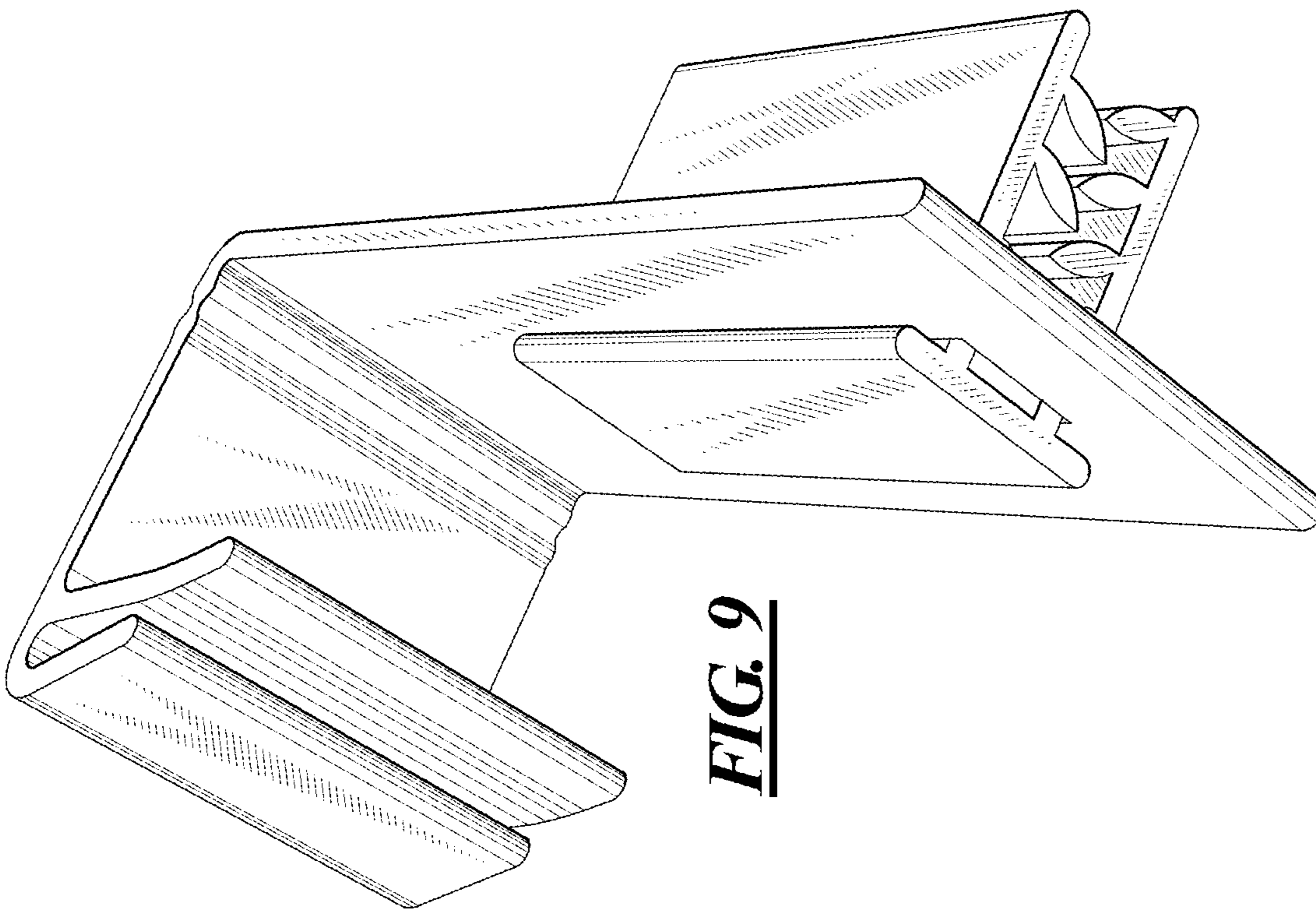
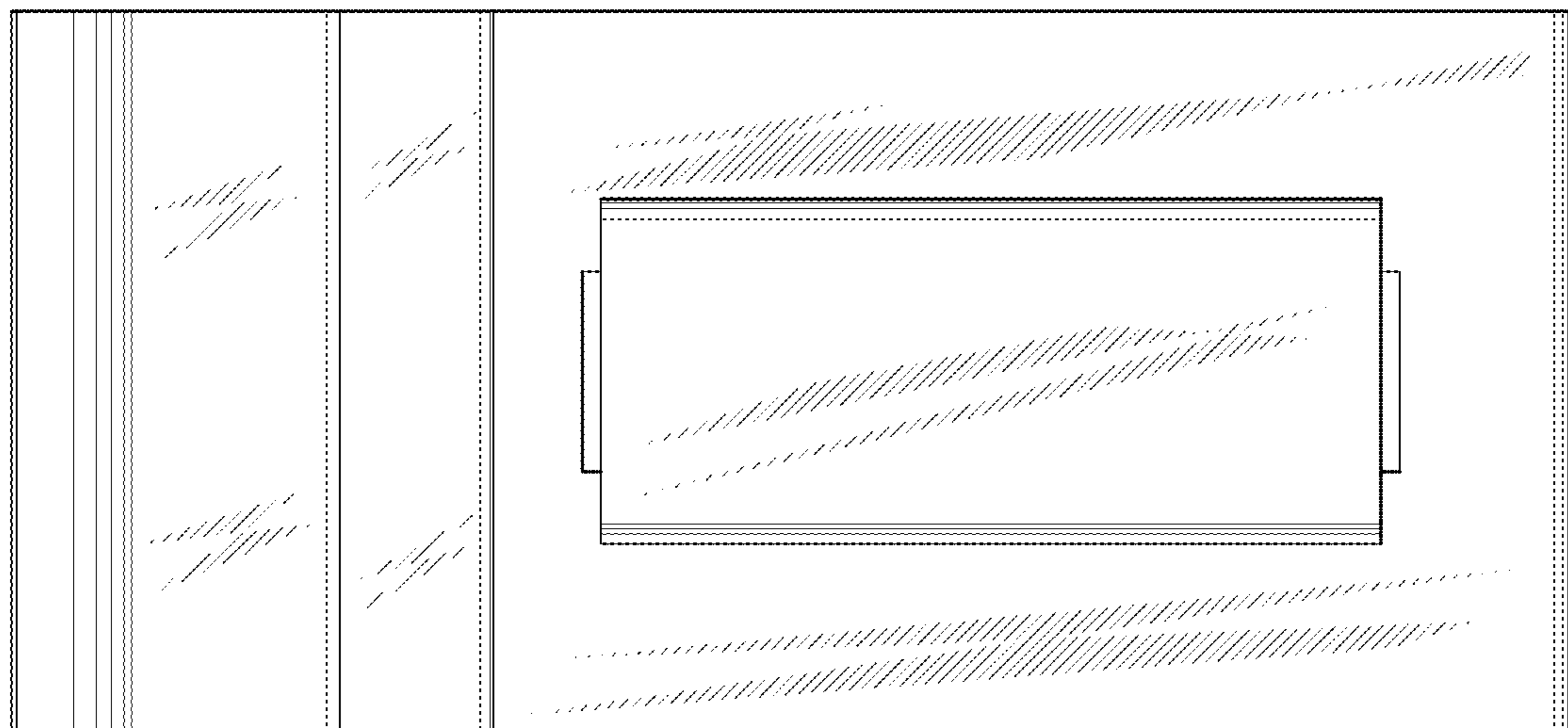
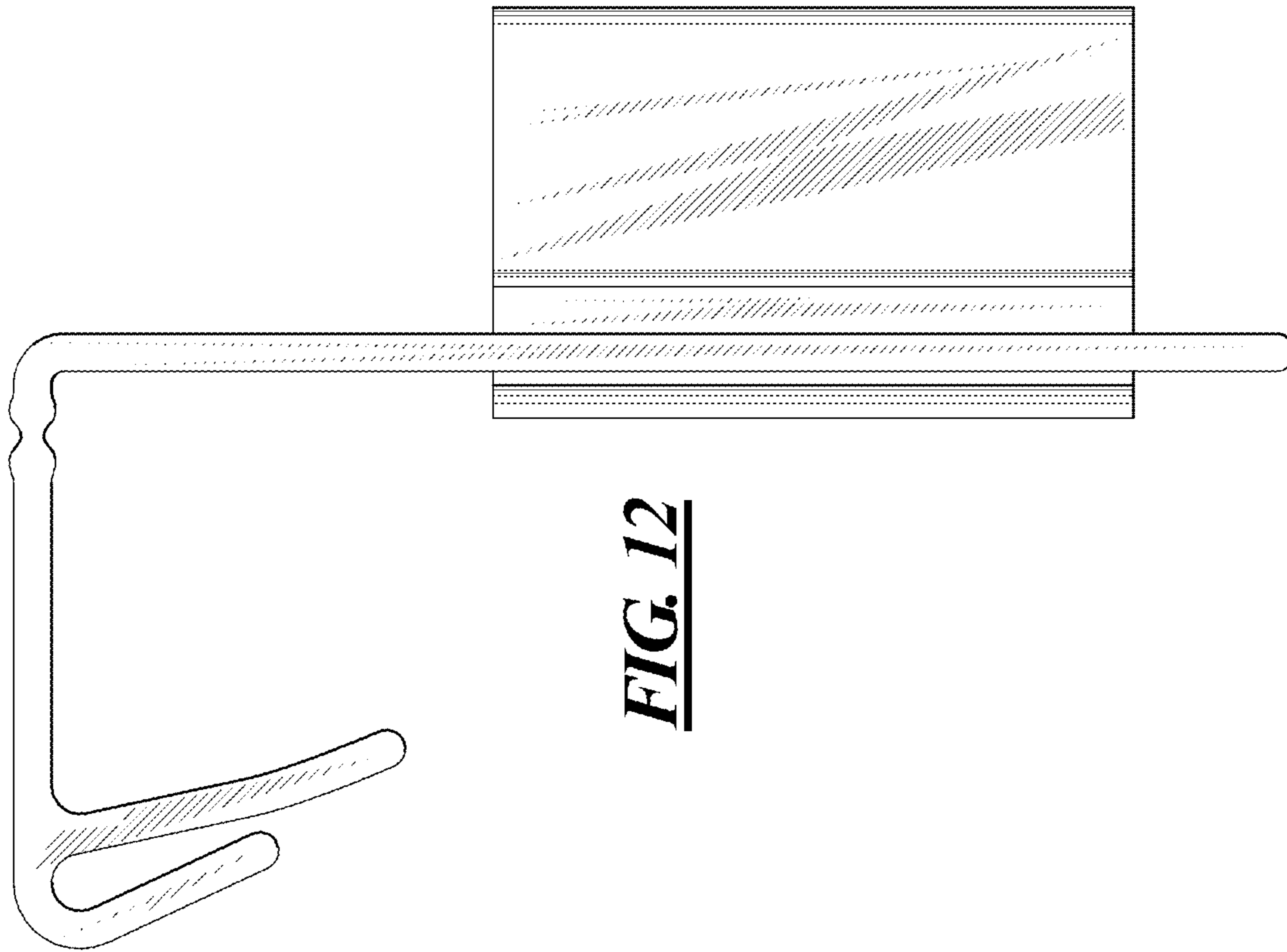


FIG. 9



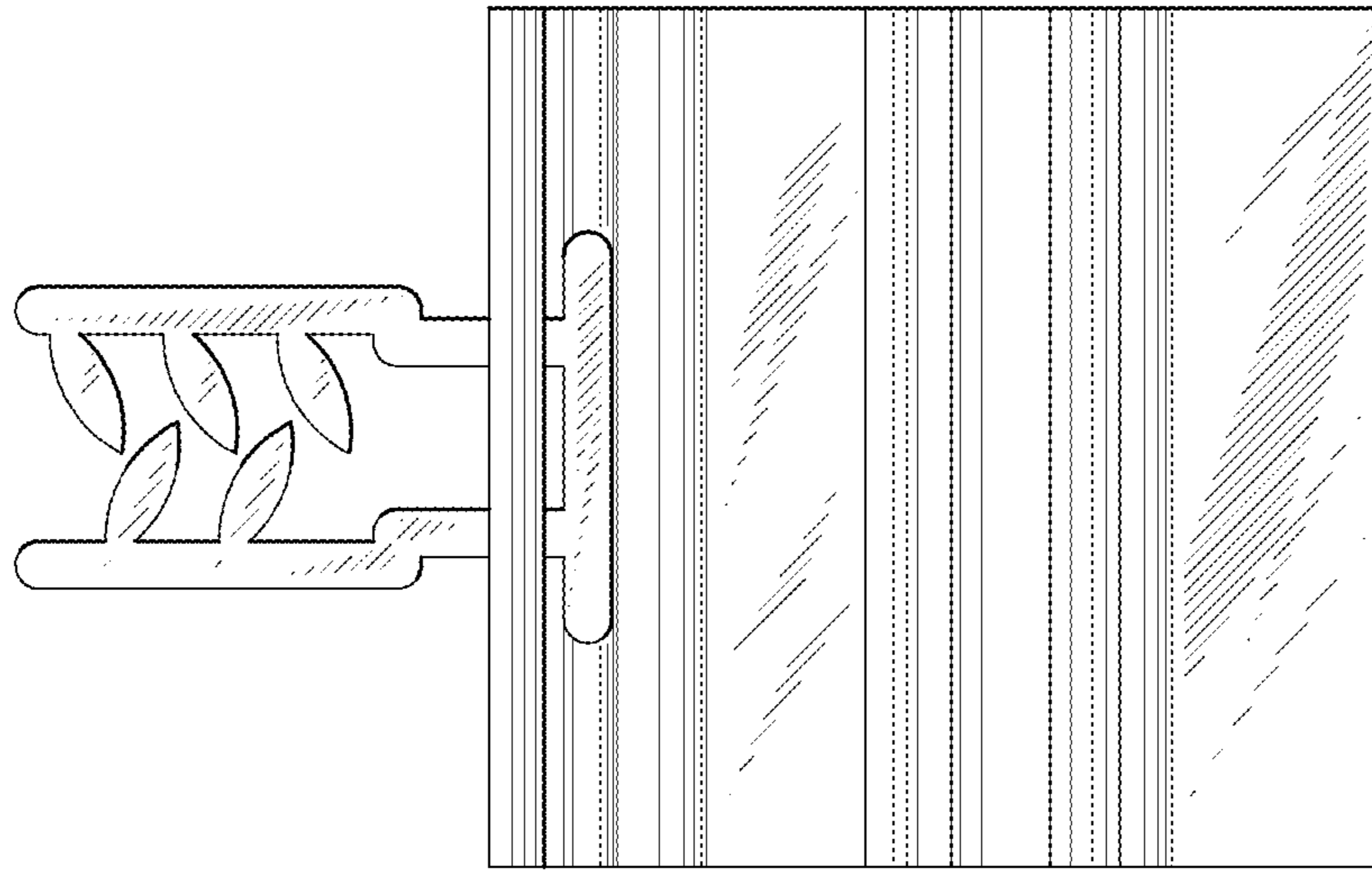


FIG. 14

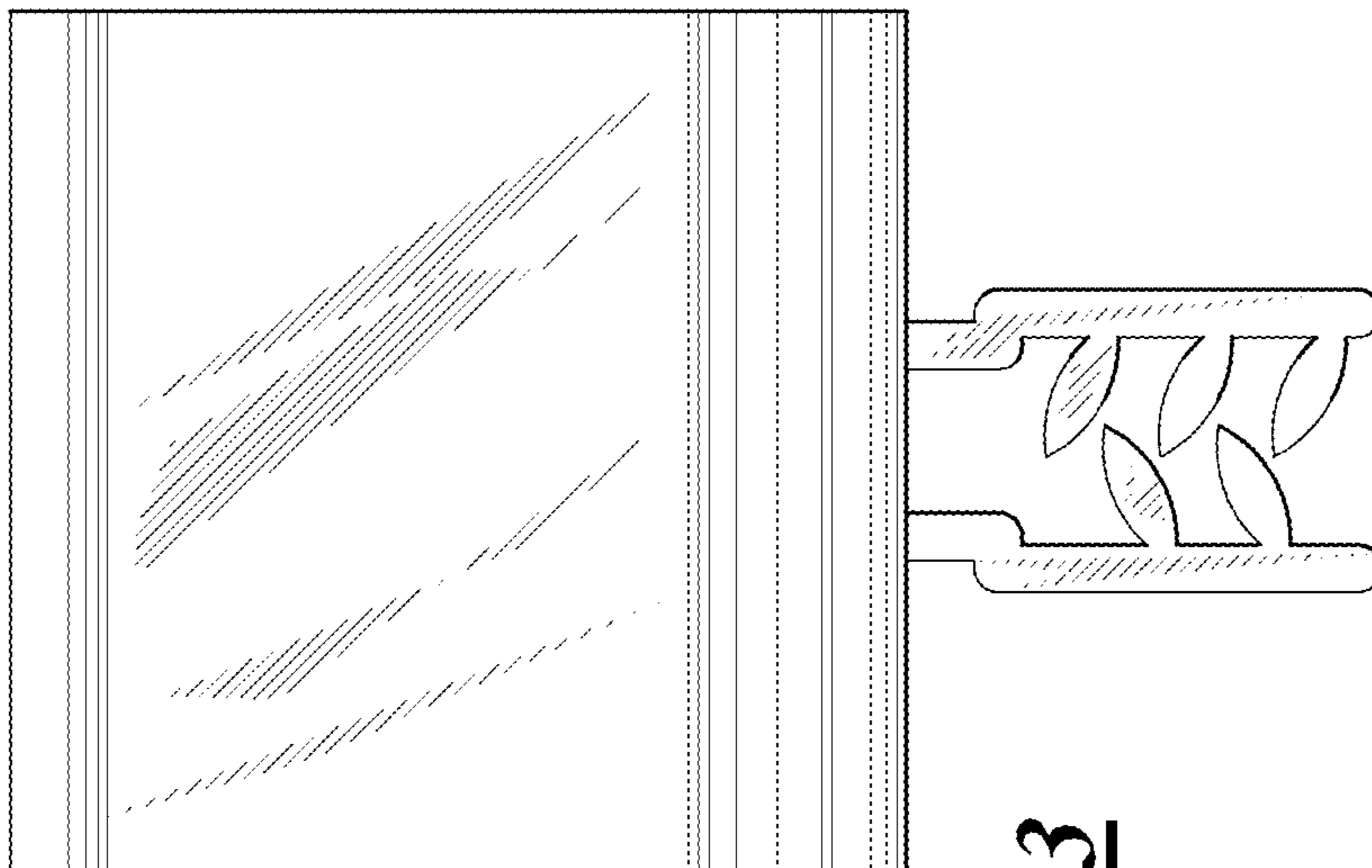


FIG. 13