



US00D892599S

(12) **United States Design Patent** (10) **Patent No.:** **US D892,599 S**  
**Witherbee** (45) **Date of Patent:** **\*\* Aug. 11, 2020**

(54) **SUPPORT BRACKET**

(74) *Attorney, Agent, or Firm* — Stinson LLP

(71) Applicant: **Eaton Intelligent Power Limited,**  
Dublin (IE)

(57) **CLAIM**

(72) Inventor: **Martin Lee Witherbee,** Godfrey, IL  
(US)

The ornamental design for a support bracket, as shown and described.

(73) Assignee: **Eaton Intelligent Power Limited,**  
Dublin (IE)

**DESCRIPTION**

(\*\*) Term: **15 Years**

(21) Appl. No.: **29/670,242**

(22) Filed: **Nov. 14, 2018**

(51) **LOC (12) Cl.** ..... **08-05**

(52) **U.S. Cl.**  
USPC ..... **D8/354**

(58) **Field of Classification Search**  
USPC ..... D8/354

(Continued)

(56) **References Cited**

**U.S. PATENT DOCUMENTS**

1,815,750 A 7/1931 Watts  
2,843,363 A 7/1958 Mailander

(Continued)

**FOREIGN PATENT DOCUMENTS**

CN 104653865 5/2015  
CN 207064828 U 3/2018  
GB 2476923 B 6/2013

**OTHER PUBLICATIONS**

US 9,423,053 B2, 08/2016, Zhang et al. (withdrawn)

(Continued)

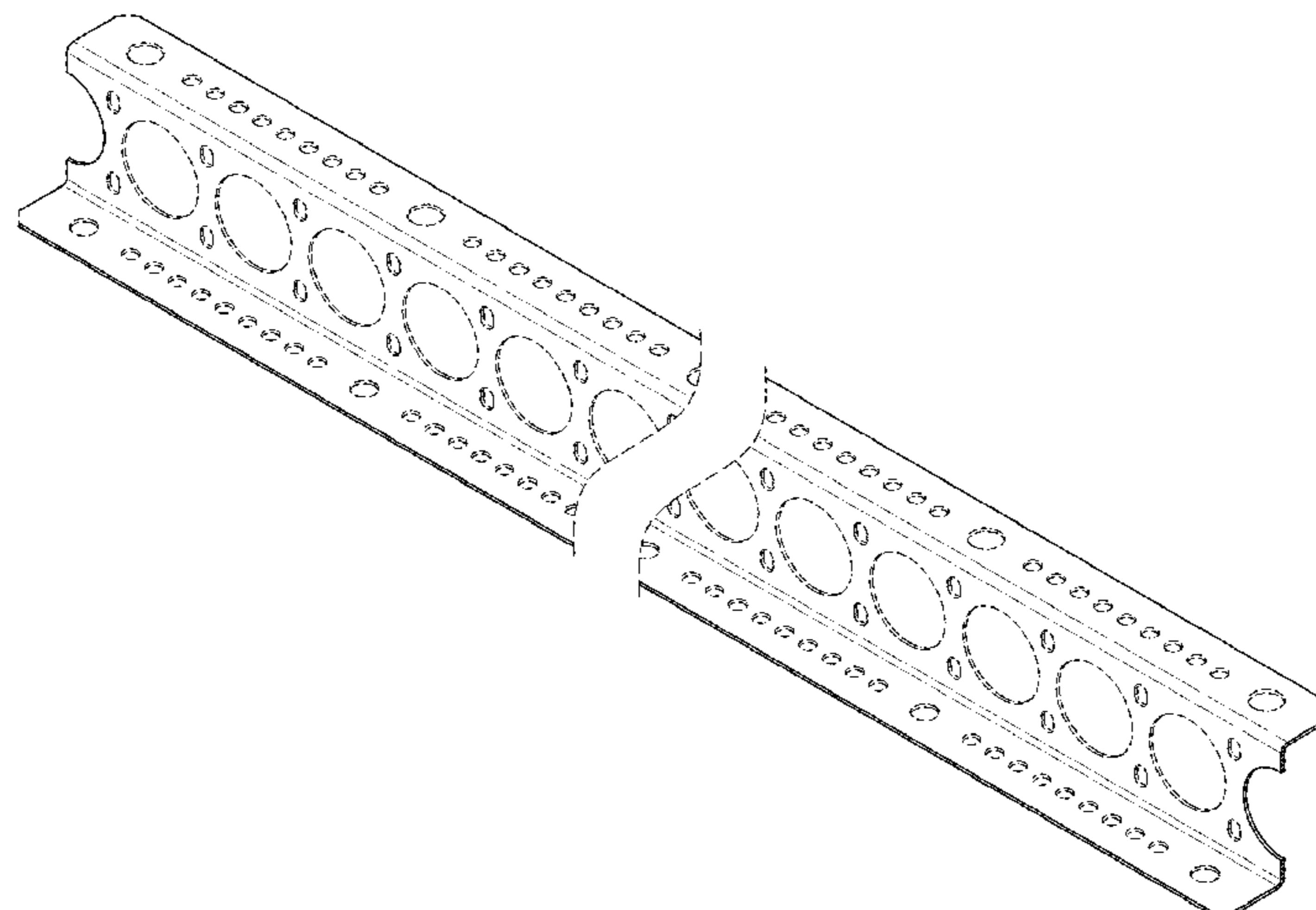
*Primary Examiner* — George D. Kirschbaum

*Assistant Examiner* — Maria J Edwards

FIG. 1 is a front perspective of a support bracket according to a first embodiment of the present disclosure, the precise length of the support bracket is not claimed; FIG. 2 is a front view of the support bracket of FIG. 1; FIG. 3 is a top view thereof; FIG. 4 is a rear view thereof; FIG. 5 is a bottom view thereof; FIG. 6 is a right side view thereof; FIG. 7 is a left side view thereof; FIG. 8 is a front perspective of a support bracket according to a second embodiment of the present disclosure, the precise length of the support bracket is not claimed; FIG. 9 is a front view of the support bracket of FIG. 8; FIG. 10 is a top view thereof; FIG. 11 is a rear view thereof; FIG. 12 is a bottom view thereof; FIG. 13 is a right side view thereof; FIG. 14 is a left side view thereof; FIG. 15 is a front perspective of a support bracket according to a third embodiment of the present disclosure, the precise length of the support bracket is not claimed; FIG. 16 is a front view of the support bracket of FIG. 15; FIG. 17 is a top view thereof; FIG. 18 is a rear view thereof; FIG. 19 is a bottom view thereof; FIG. 20 is a right side view thereof; and, FIG. 21 is a left side view thereof.

The broken lines in the drawings depict portions of the support bracket that form no part of the claimed design. The symbolic break lines (e.g., pairs of dash-dash broken lines) immediately adjacent the solid lines represent a boundary between claimed and unclaimed subject matter

(Continued)



and form no part of the claimed design. The appearance of any portion of the article between the break lines forms no part of the claimed design.

**1 Claim, 18 Drawing Sheets**

(58) **Field of Classification Search**

CPC ..... F16B 5/0685; H02G 3/081; H02G 3/12  
See application file for complete search history.

(56) **References Cited**

U.S. PATENT DOCUMENTS

4,296,584	A *	10/1981	Lempa, Jr. ....	E04H 12/2292 52/169.13
5,615,850	A	4/1997	Cloninger	
5,876,000	A	3/1999	Ismert	
5,971,329	A	10/1999	Hickey	
6,250,591	B1	6/2001	Cunningham	
6,254,040	B1	7/2001	McGrath	
D448,650	S	10/2001	Vrame	
D449,218	S	10/2001	Vrame	
6,390,421	B1	5/2002	Rudd	
6,402,096	B1	6/2002	Ismert et al.	
6,902,138	B2	6/2005	Vantouroux	
7,014,152	B2	3/2006	Grendahl	
7,039,965	B1	5/2006	Ismert	
7,223,052	B1	5/2007	Evans	
7,484,697	B1	2/2009	Nelson	
7,498,511	B1	3/2009	Brown	
7,519,442	B2	4/2009	Nathan et al.	
7,556,225	B2	7/2009	Riedy et al.	
7,661,915	B2	2/2010	Whipple	
7,699,283	B2	4/2010	Vrame	
7,926,766	B2	4/2011	Tjerrild	
8,262,035	B2	9/2012	Bleus	
8,342,474	B2	1/2013	Gilbreath	

9,080,695	B2	7/2015	Magno, Jr.	
9,145,985	B2	9/2015	Vrame	
9,181,691	B2	11/2015	Thompson	
9,206,925	B2	12/2015	Rouleau	
9,206,927	B2	12/2015	Carter et al.	
9,222,603	B2	12/2015	Rego	
D765,492	S *	9/2016	Akers .....	D8/354
9,568,123	B2	2/2017	Zhang et al.	
9,574,589	B2	2/2017	Knutson	
9,732,887	B2	8/2017	Zhang et al.	
D803,665	S	11/2017	Vrame	
D804,934	S	12/2017	Vrame	
D854,400	S *	7/2019	Haley .....	D8/354
10,498,119	B2 *	12/2019	Nehls .....	H02G 3/0456
2004/0056156	A1	3/2004	Dodson	
2005/0056735	A1	3/2005	Fedewa	
2005/0098697	A1	5/2005	Collins	
2013/0139375	A1	6/2013	Rego	
2014/0097304	A1	4/2014	Mastro	
2014/0345735	A1	11/2014	Hobbs	
2017/0184223	A1	6/2017	Dean et al.	

OTHER PUBLICATIONS

4U Flush Mount Conversion kit bracket, posted at racksolutions.com, posting date not given, [online], [site visited Mar. 22, 2020]. Available from Internet, URL: <https://www.racksolutions.com/4u-flushmount-conversion-kit.html> (Year: 2020).\*

Chatsworth Full Height Dual PDU Bracket, posted at cdw.com, posting date not given, [online], [site visited Mar. 22, 2020]. Available from Internet, URL: <https://www.cdw.com/product/chatsworth-full-height-5.8in-wide-48u-dual-pdu-bracket-glacier-white/5176920> (Year: 2020).\*

Eaton ePDU 90-Degree Mounting Bracket, posted at connection.com, posting date not given, [online], [site visited Mar. 22, 2020]. Available from Internet, URL: <https://www.connection.com/product/eaton-epdu-90-degree-mounting-brackets/rspdu9mtgw/35543777> (Year: 2020).\*

\* cited by examiner

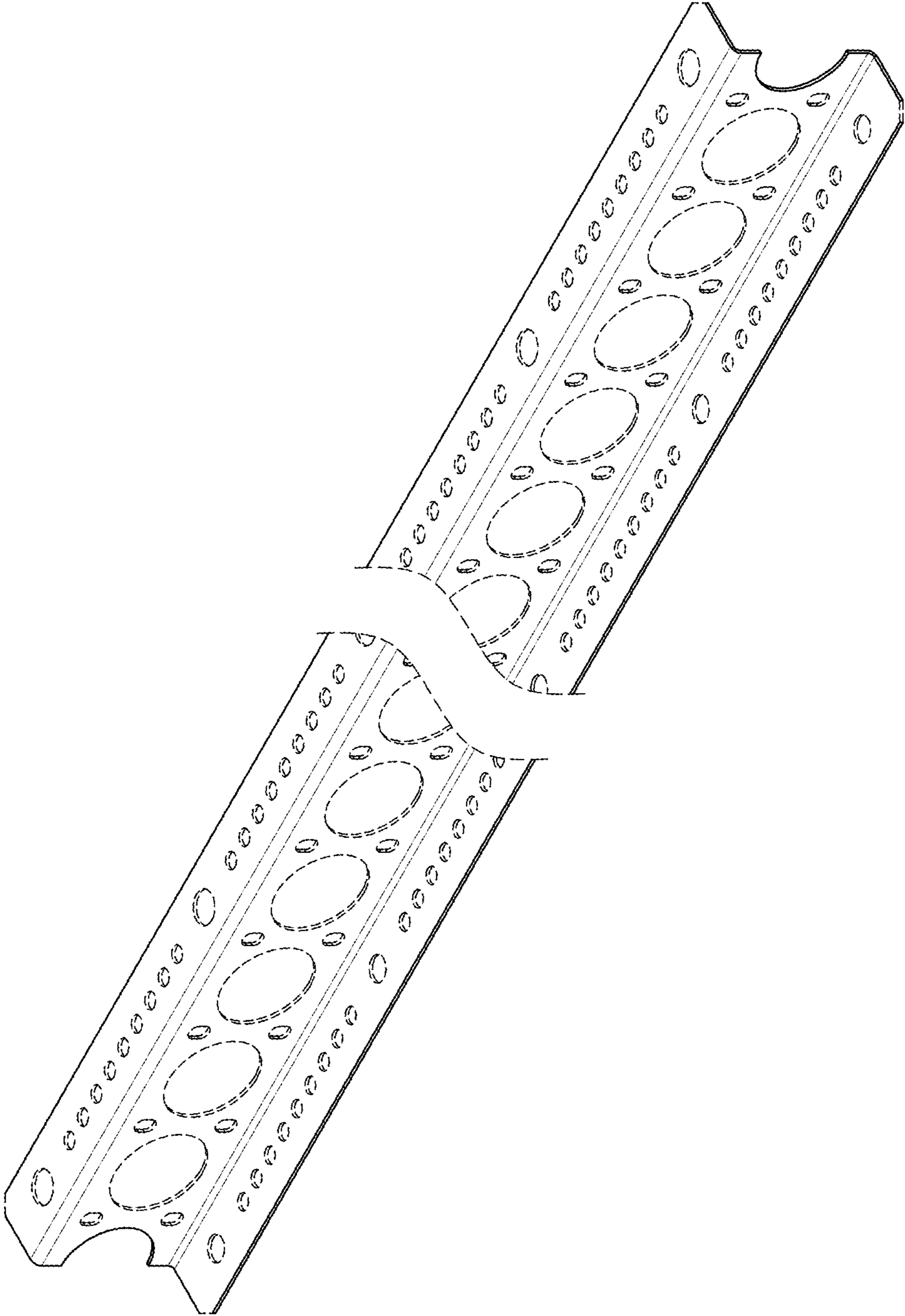


FIG. 1

FIG. 2

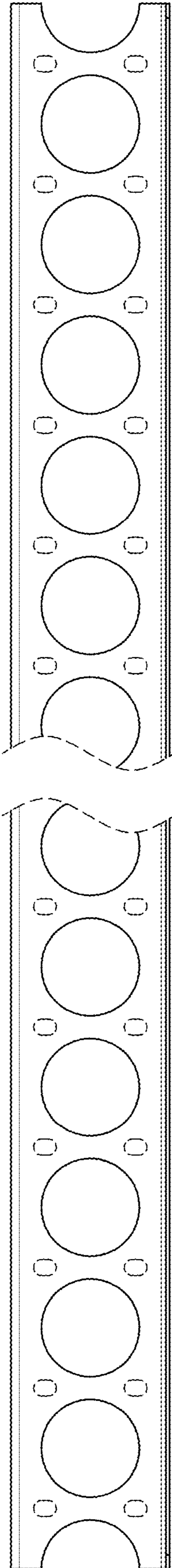


FIG. 3

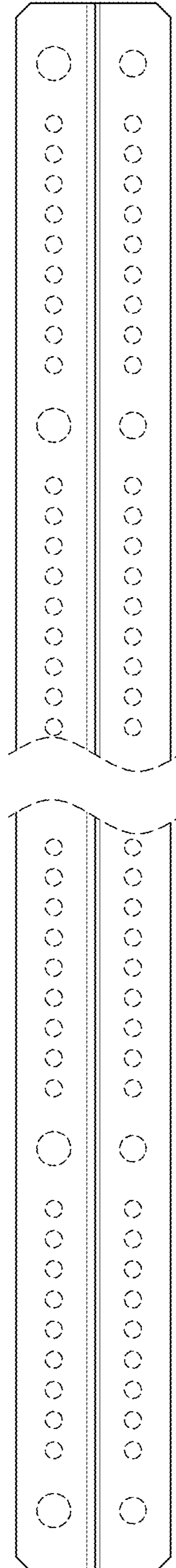


FIG. 4

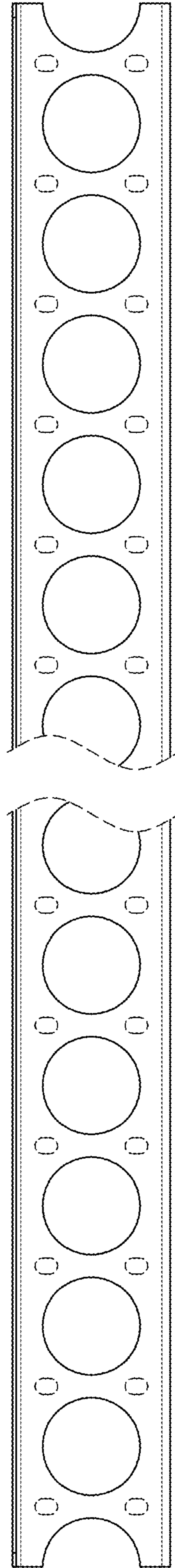


FIG. 5

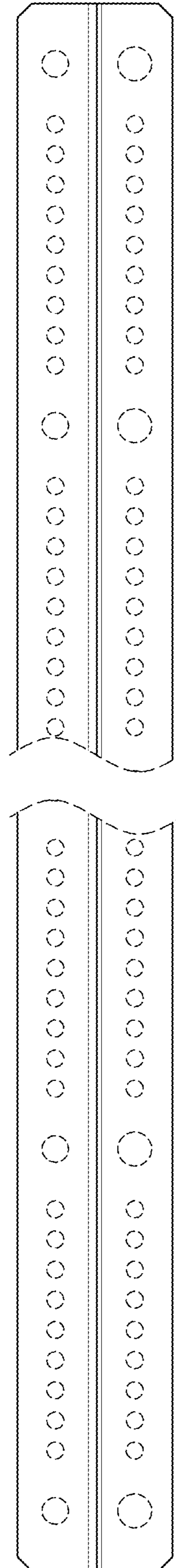


FIG. 6

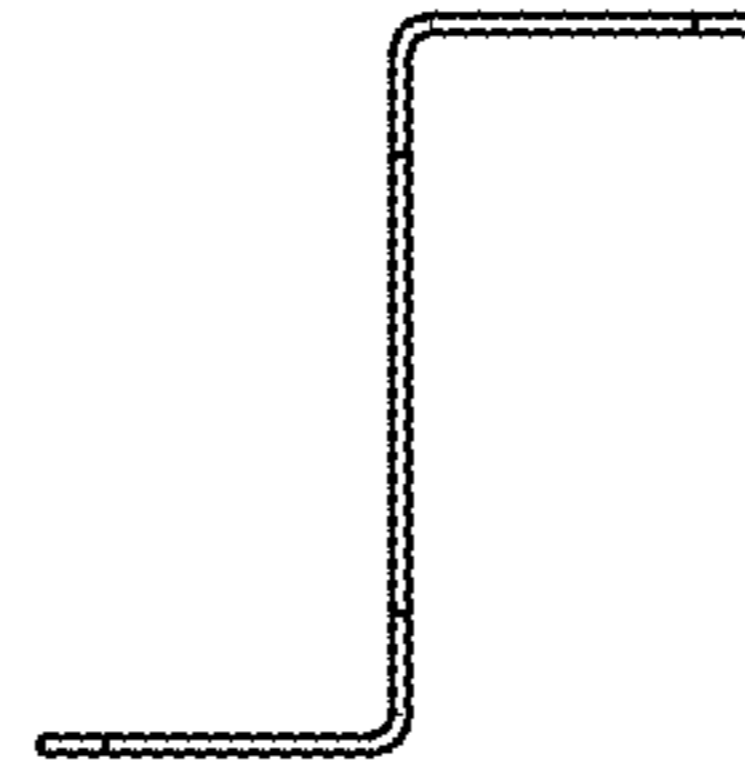
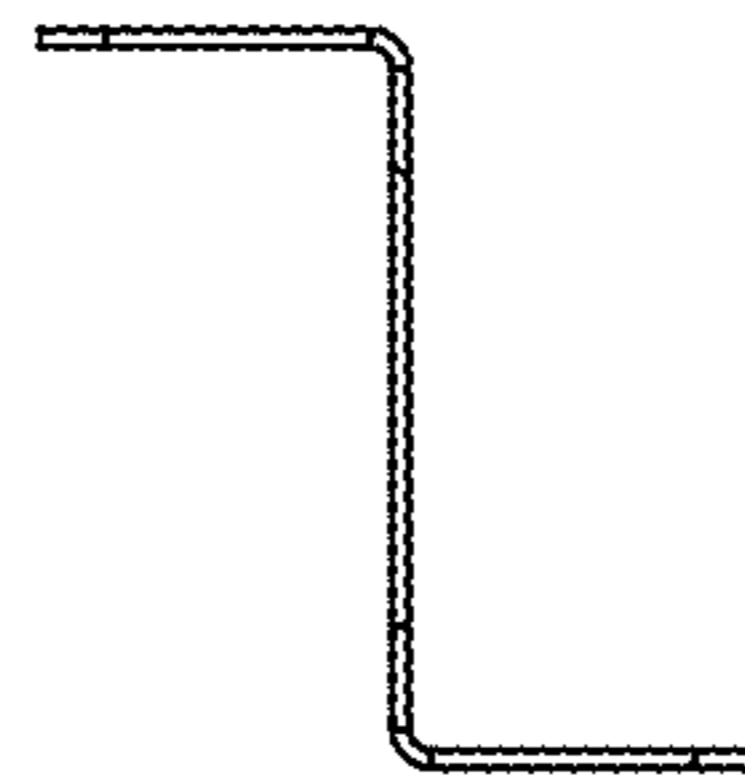


FIG. 7





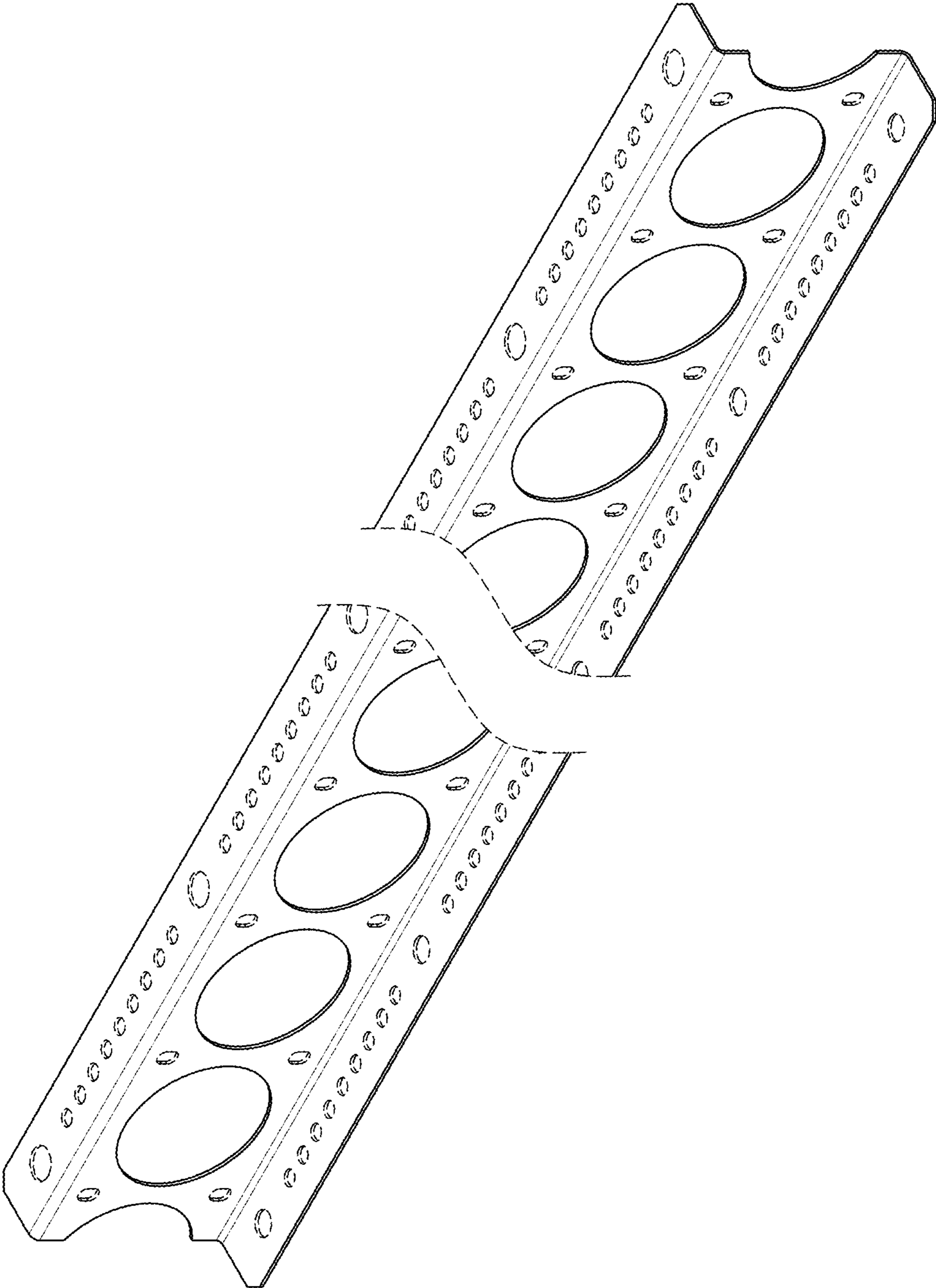


FIG. 8

FIG. 9

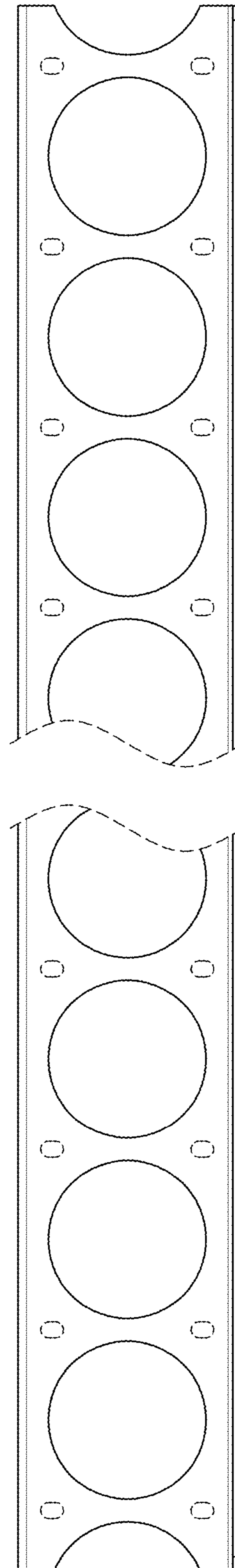


FIG. 10

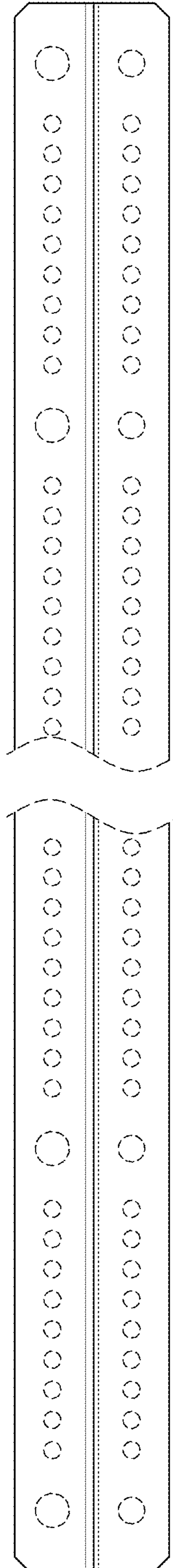


FIG. 11

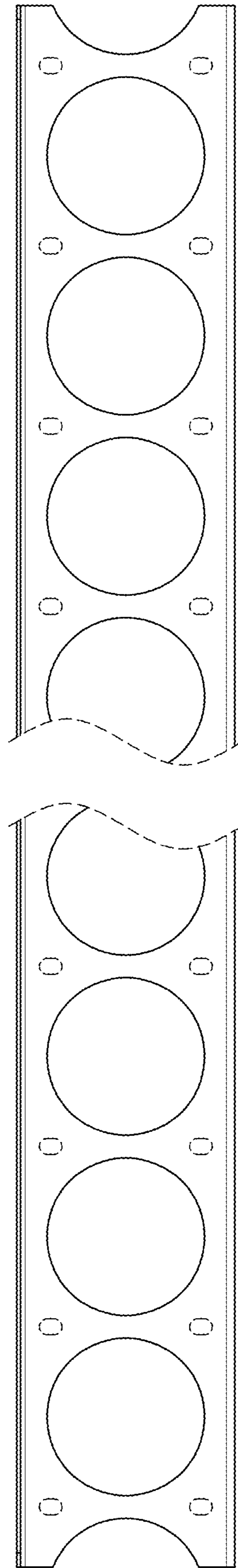


FIG. 12

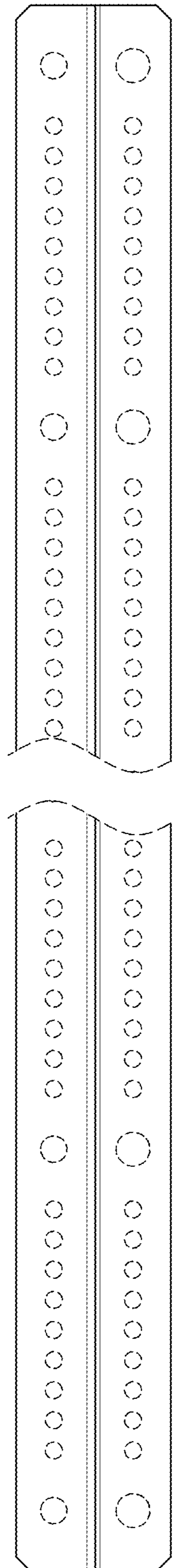


FIG. 13

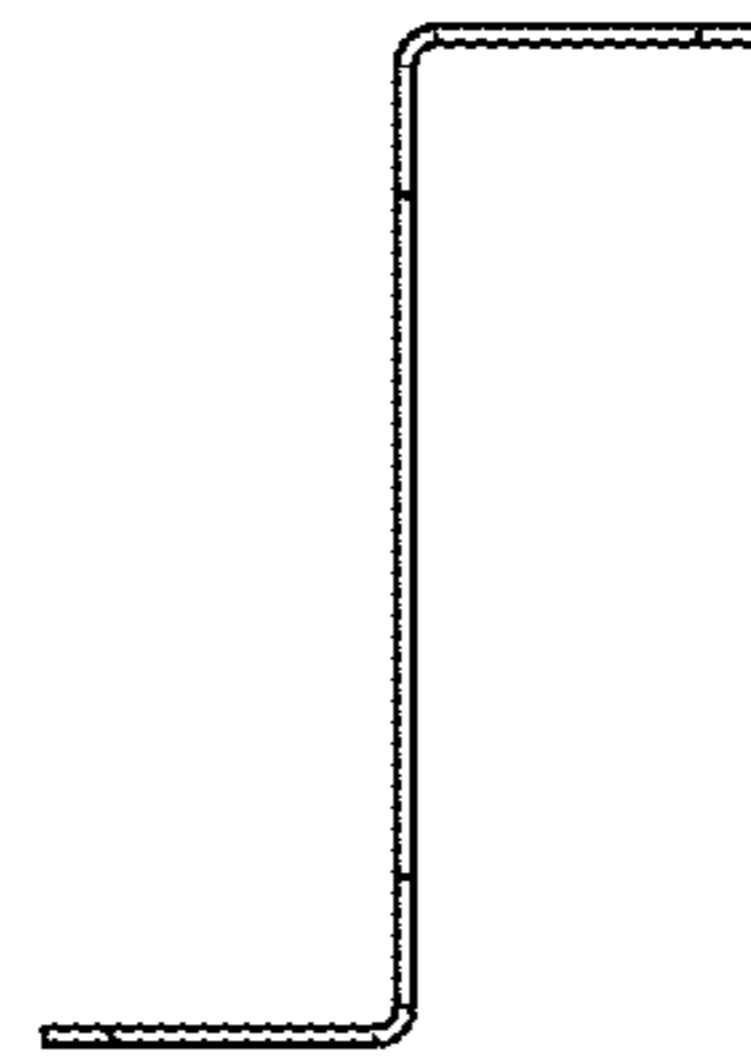
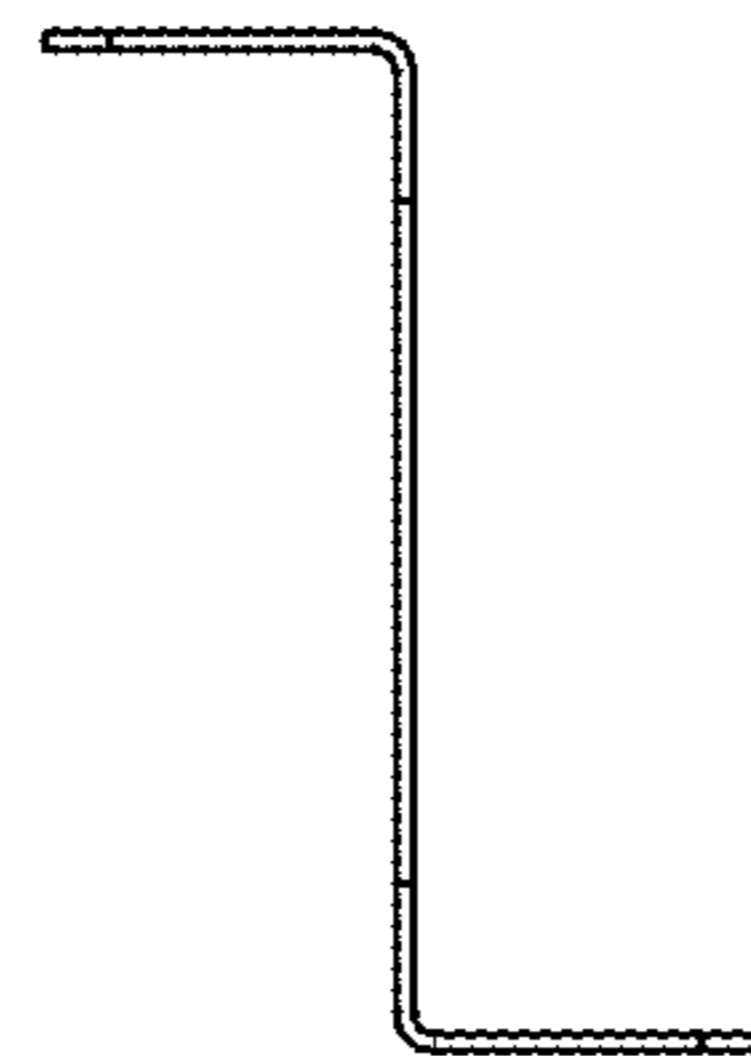


FIG. 14



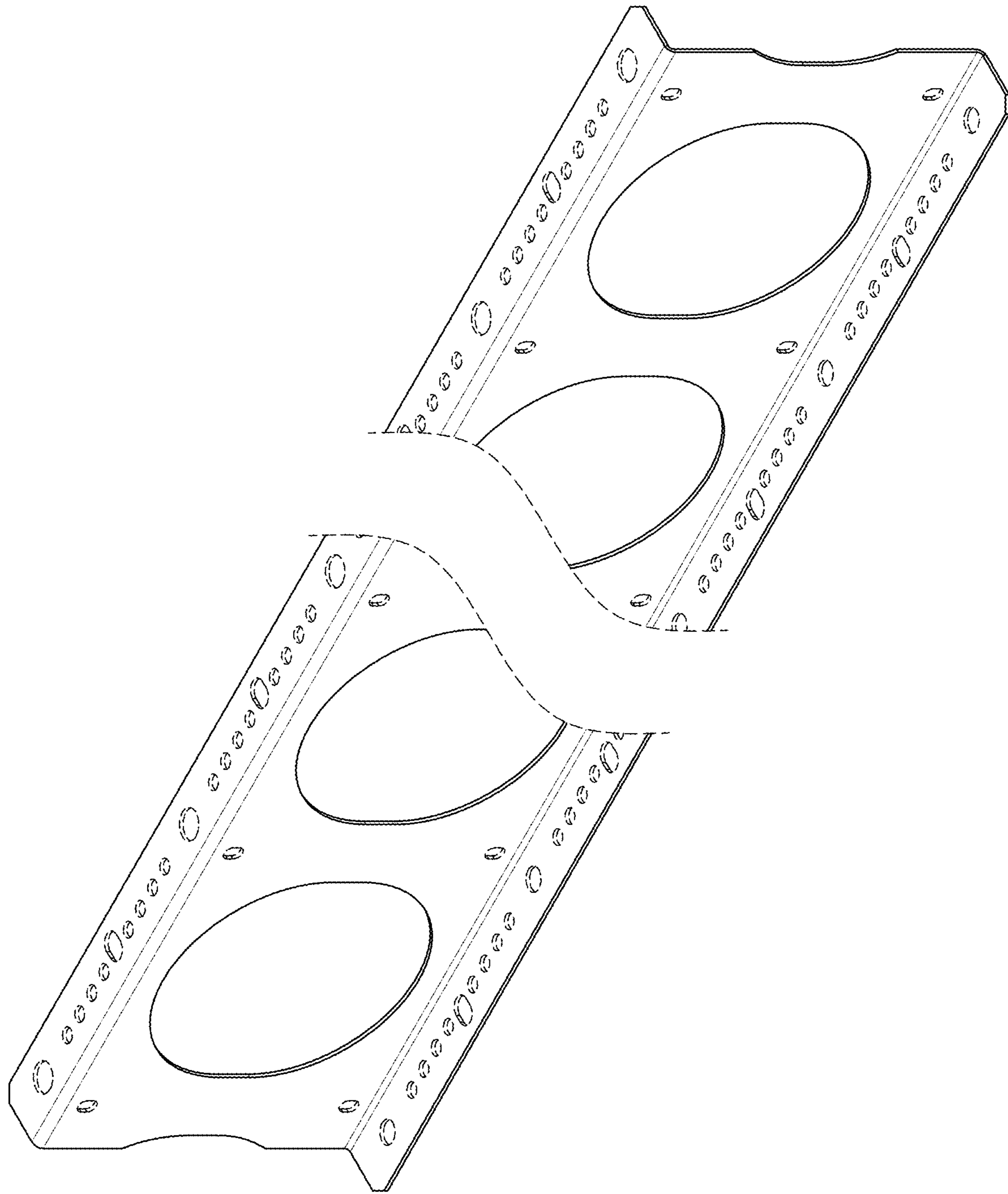


FIG. 15

FIG. 16

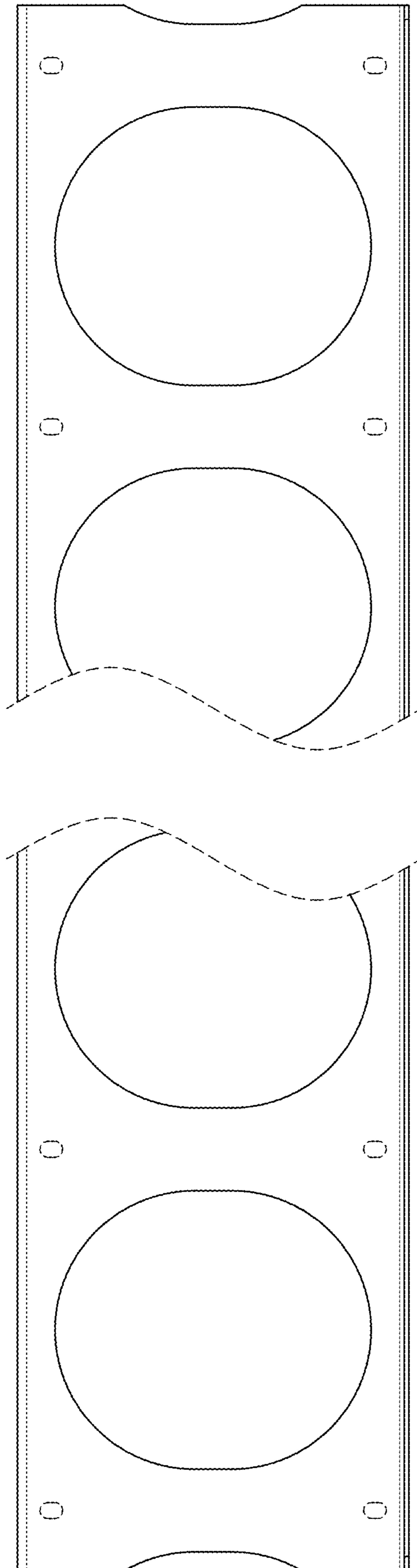
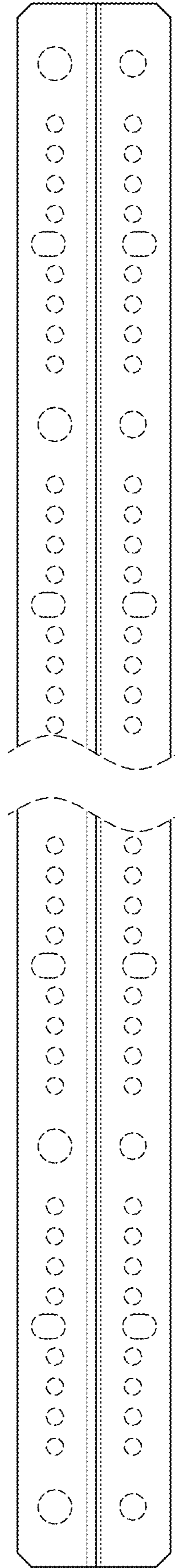




FIG. 17



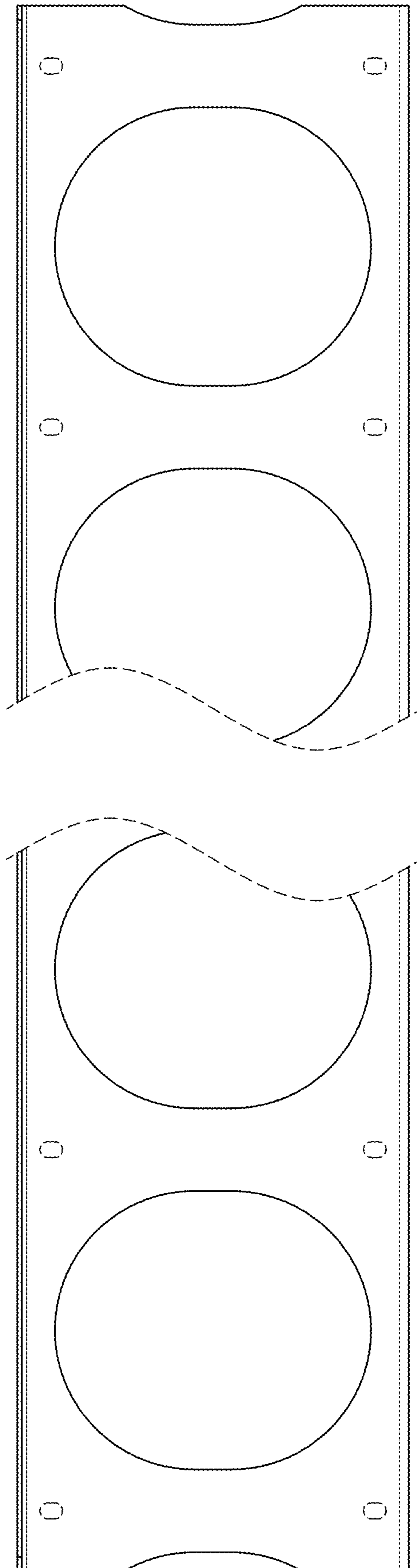


FIG. 18

FIG. 19

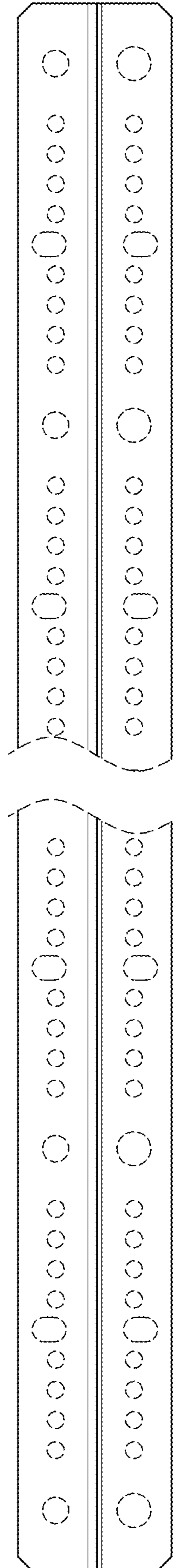


FIG. 20

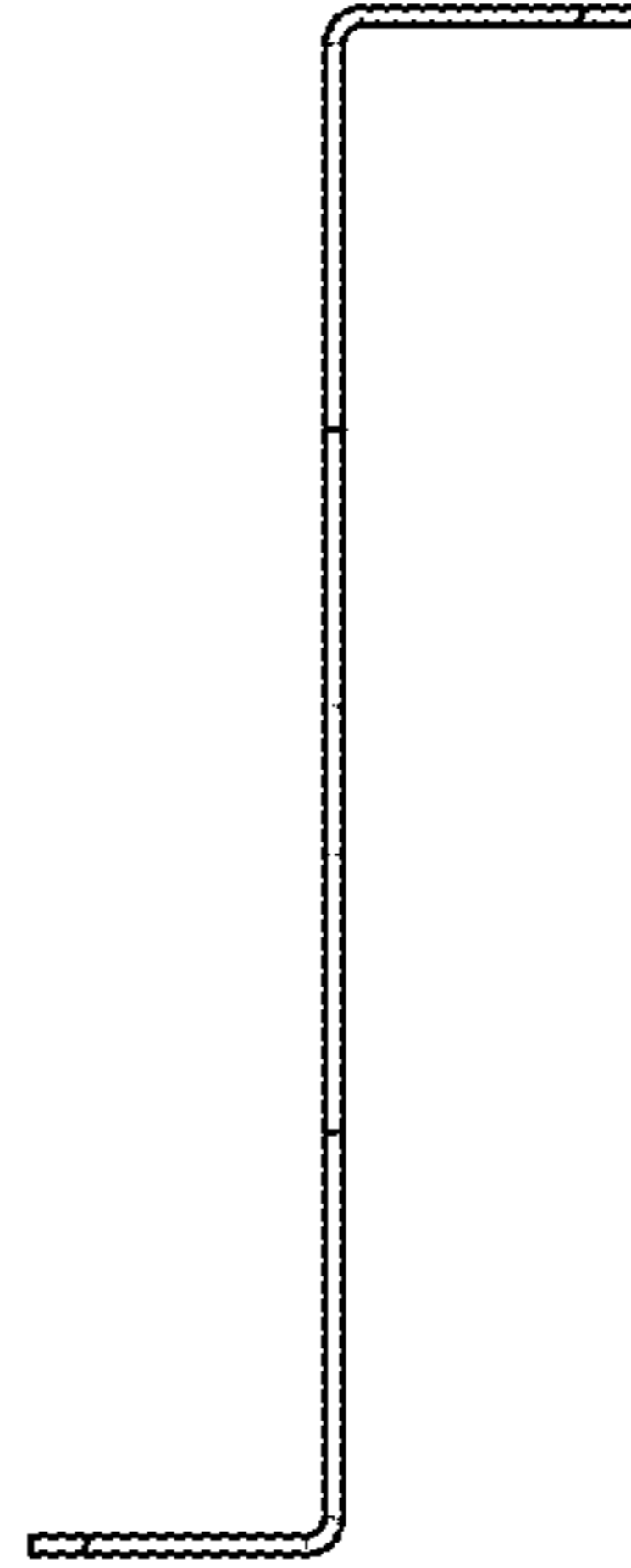


FIG. 21

