



US00D892597S

(12) **United States Design Patent**
Stoops

(10) **Patent No.:** **US D892,597 S**

(45) **Date of Patent:** **** Aug. 11, 2020**

(54) **BUMP BAR/KEYPAD SHELF BRACKET**

(71) Applicant: **Kevin R. Stoops**, Bucyrus, KS (US)

(72) Inventor: **Kevin R. Stoops**, Bucyrus, KS (US)

(**) Term: **15 Years**

(21) Appl. No.: **29/614,843**

(22) Filed: **Aug. 23, 2017**

(51) **LOC (12) Cl.** **08-05**

(52) **U.S. Cl.**
USPC **D8/354**

(58) **Field of Classification Search**
USPC D6/672, 684, 680, 683.1, 703.5; D8/349,
D8/354, 355, 330, 331, 333, 380, 381
CPC F16B 5/00; F16B 5/02; F16B 12/50
See application file for complete search history.

(56) **References Cited**

U.S. PATENT DOCUMENTS

D200,099 S	1/1965	Attwood	
D211,082 S	5/1968	La Londe	
D217,223 S	4/1970	Knohl	
D221,141 S	7/1971	Wormser	
D260,758 S *	9/1981	Borugian	D12/180
D264,756 S	6/1982	Andersson	
D342,011 S	12/1993	Maguire	
D422,483 S *	4/2000	Shea	D8/354
D438,448 S	3/2001	Batting et al.	
D442,705 S	5/2001	Eaton	
D507,665 S	7/2005	Ryan et al.	
D588,441 S *	3/2009	Clarke	D8/354
D615,848 S	5/2010	Prichard et al.	
D618,085 S *	6/2010	Lin	D8/354
D621,963 S	8/2010	Zadeh	
D644,339 S	8/2011	Sutton	
D689,760 S *	9/2013	Chen	D8/354
D699,097 S *	2/2014	Chung	D8/354
D724,418 S *	3/2015	Fairchild	D8/380
D765,492 S *	9/2016	Akers	D8/354
D767,166 S	9/2016	Sparks	

D779,312 S *	2/2017	Stanley	D26/138
D782,289 S	3/2017	Darby et al.	
D789,564 S *	6/2017	Lopez	D25/199
D789,565 S *	6/2017	Lopez	D25/199
D796,302 S *	9/2017	Bright	D8/354
D802,167 S	11/2017	Gyetvai	
D820,664 S *	6/2018	Allen	D8/354
D821,851 S	7/2018	Stahl et al.	
D822,453 S *	7/2018	Kanter	D8/354
D822,455 S	7/2018	Stahl et al.	

(Continued)

OTHER PUBLICATIONS

Notice of Allowance received for U.S. Appl. No. 29/629,850, dated Sep. 25, 2019, 17 pages.

(Continued)

Primary Examiner — Michael C Stout
Assistant Examiner — Benjamin M Weeks
(74) *Attorney, Agent, or Firm* — Kutak Rock LLP

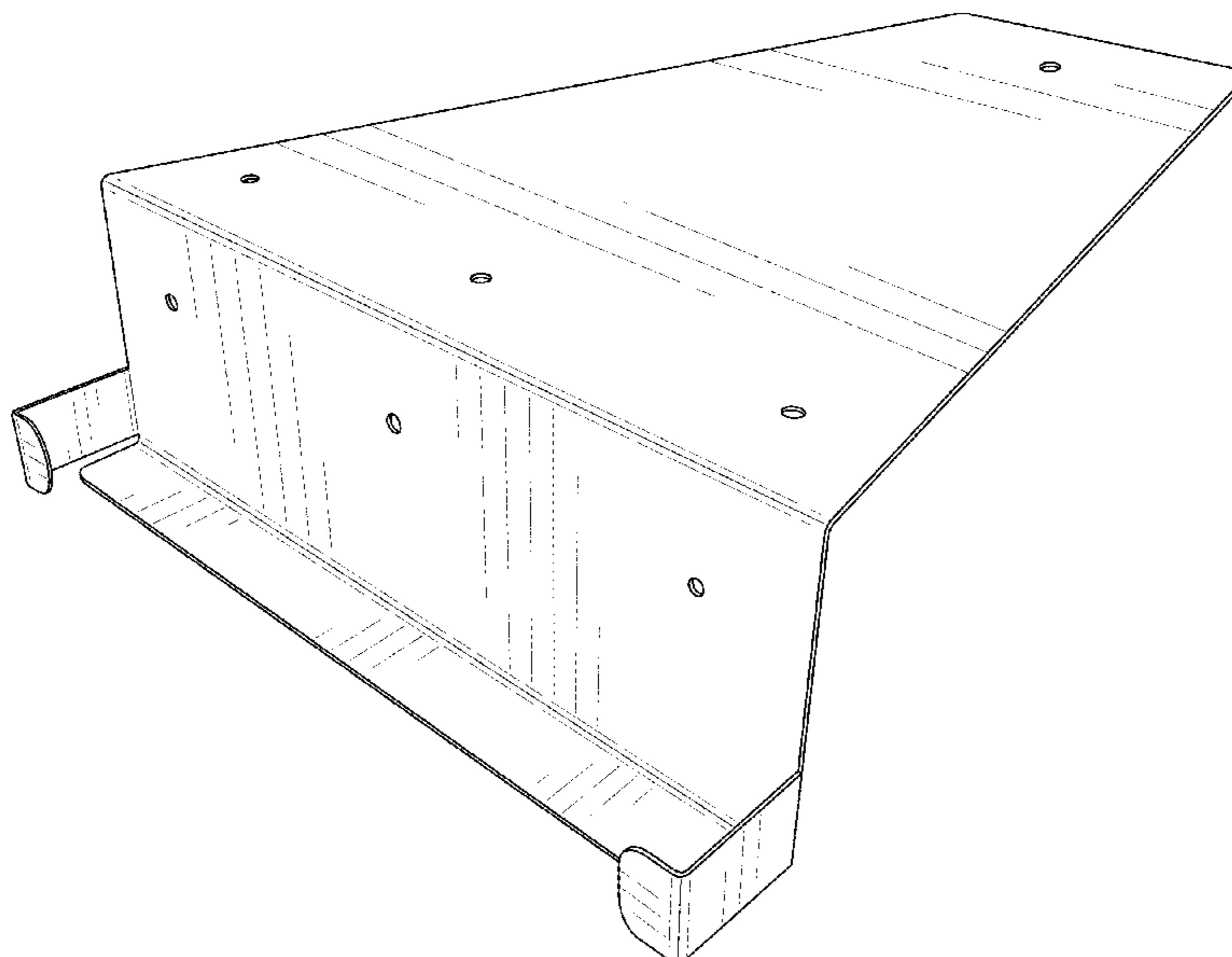
(57) **CLAIM**

The ornamental design for a bump bar/keypad shelf bracket, as shown and described.

DESCRIPTION

FIG. 1 is a front side perspective view of a bump bar/keypad shelf bracket of the instant invention. FIG. 2 is a front elevation view of the bracket of FIG. 1. FIG. 3 is a rear elevation view of the bracket of FIG. 1. FIG. 4 is a side elevation view of the bracket of FIG. 1, the opposing side view being a mirror image thereof. FIG. 5 is a top plan view of the bracket of FIG. 1; and, FIG. 6 is a front side perspective view of the bracket of FIG. 1.
The broken lines showing of a bump bar/keypad are for the purpose of illustrating environment and form no part of the claim.

1 Claim, 6 Drawing Sheets



(56)

References Cited

U.S. PATENT DOCUMENTS

D823,095	S	7/2018	Stahl et al.	
D834,921	S	12/2018	Rose et al.	
D855,439	S *	8/2019	Schmonsees	D8/349
D855,440	S *	8/2019	Schmonsees	D8/349
D855,441	S *	8/2019	Schmonsees	D8/349
D856,117	S *	8/2019	Homza	D8/349
2017/0191254	A1	7/2017	Daudet	
2017/0336875	A1	11/2017	Stoops	

OTHER PUBLICATIONS

Ex Parte Quayle Action received for U.S. Appl. No. 29/629,850, dated May 31, 2019, 5 pages.

* cited by examiner

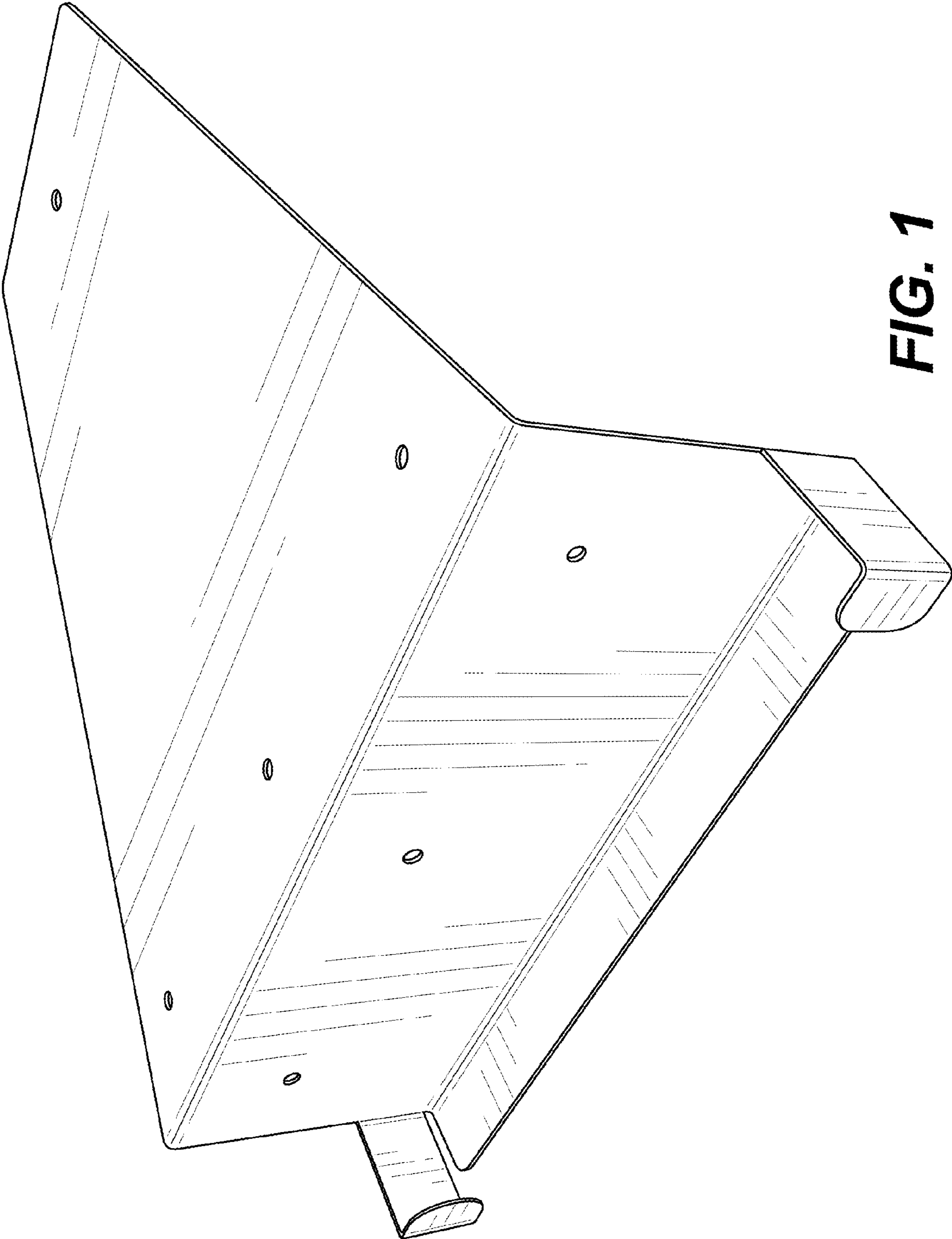


FIG. 1

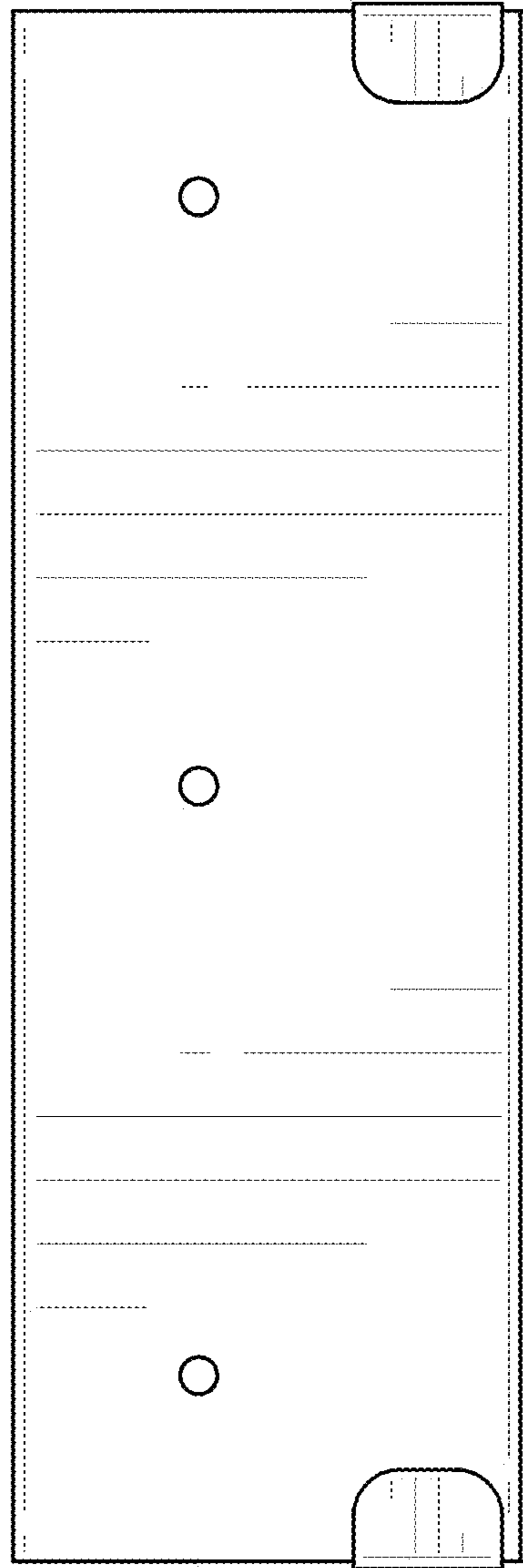


FIG. 2

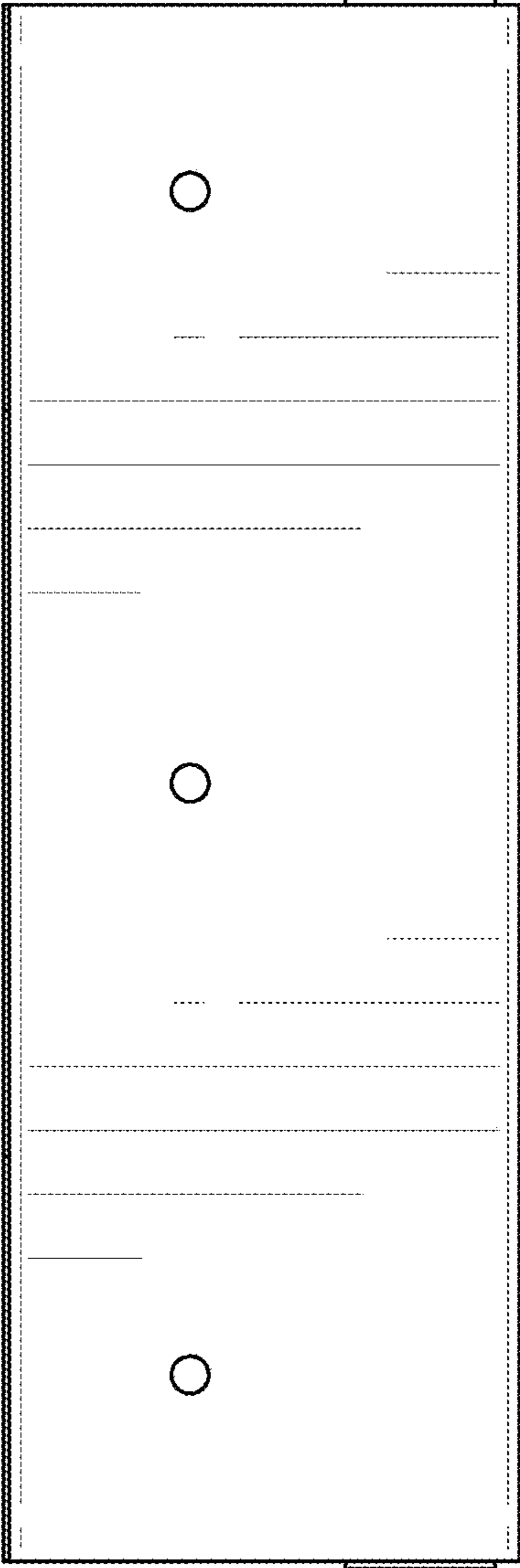


FIG. 3

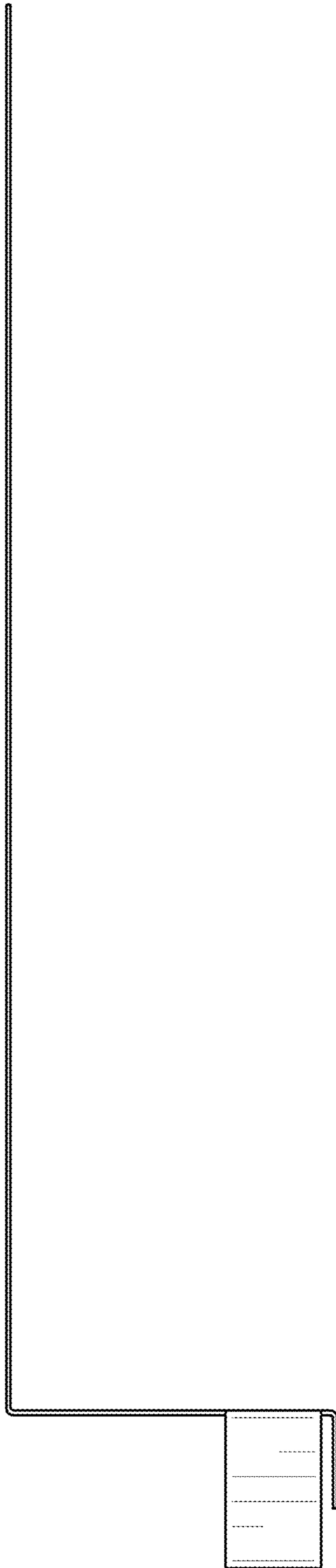


FIG. 4

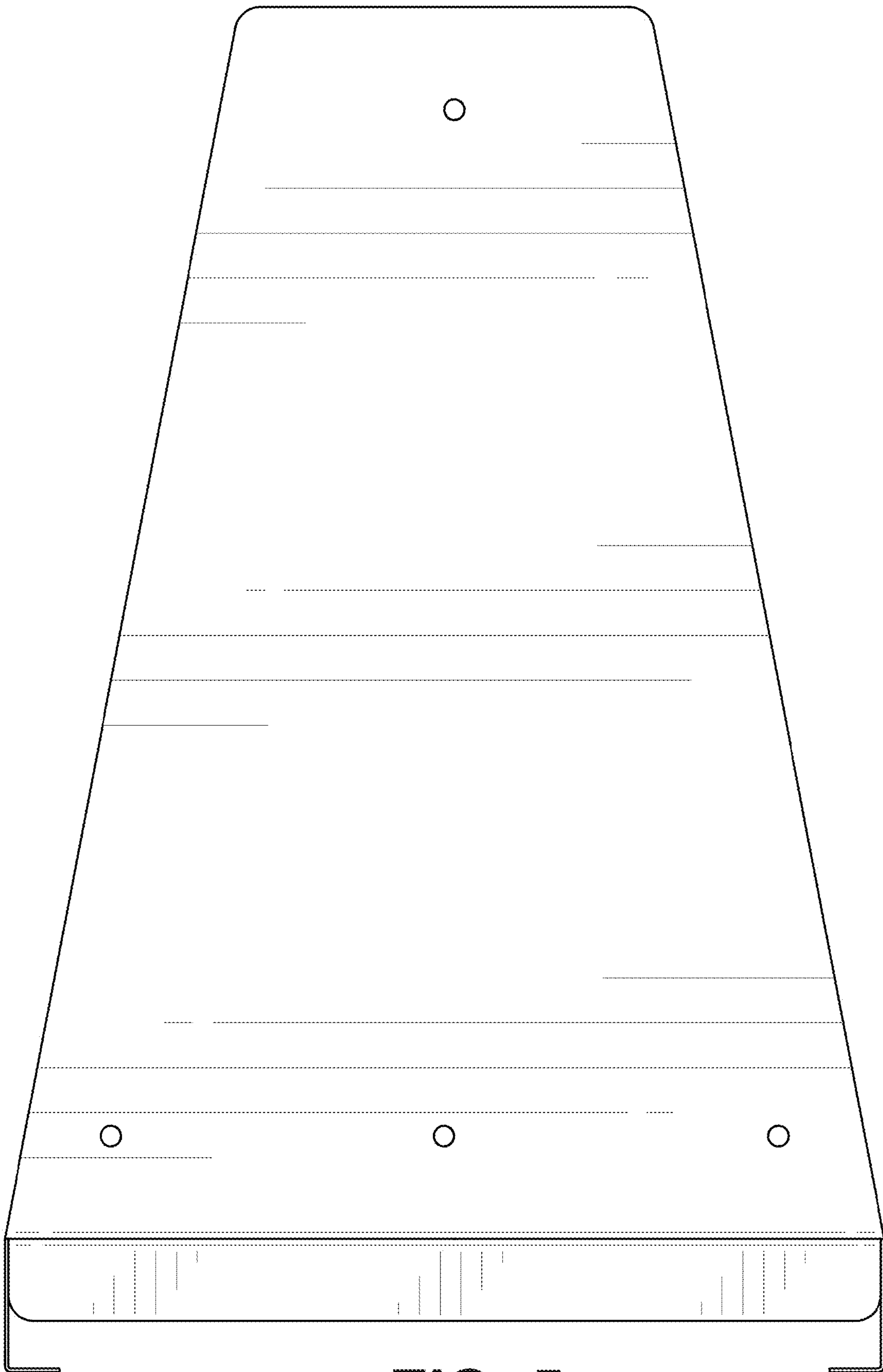


FIG. 5

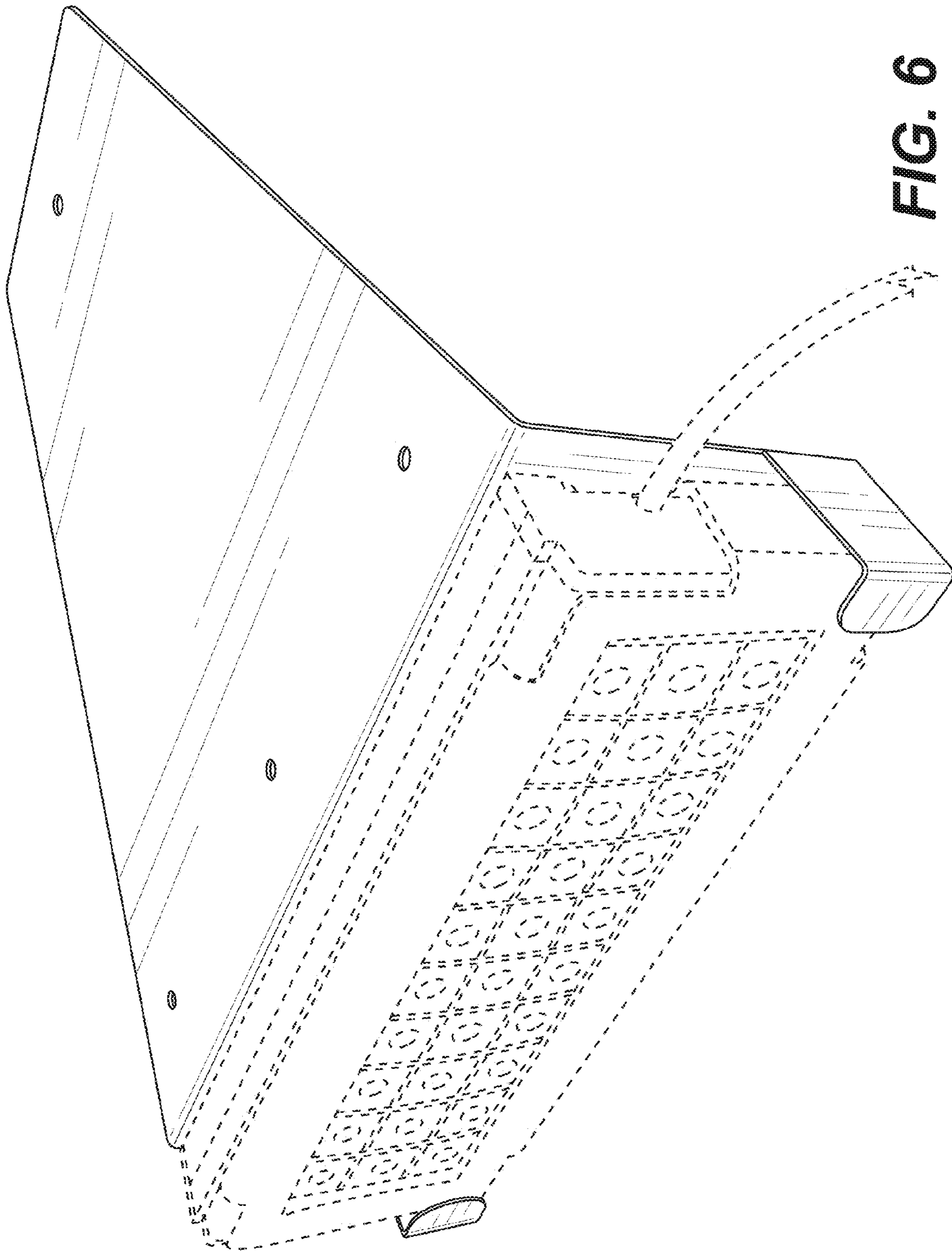


FIG. 6