



US00D892593S

(12) **United States Design Patent**
Williams et al.

(10) **Patent No.:** **US D892,593 S**

(45) **Date of Patent:** **** Aug. 11, 2020**

(54) **FAUCET DIAL**

(71) Applicant: **AS America, Inc.**, Piscataway, NJ (US)

(72) Inventors: **Emilie Williams**, South Plainfield, NJ (US); **Greg Reinecker**, Brooklyn, NY (US); **Jean-Jacques L'Henaff**, New Canaan, CT (US)

(73) Assignee: **AS America, Inc.**, Piscataway, NJ (US)

(**) Term: **15 Years**

(21) Appl. No.: **29/714,714**

(22) Filed: **Nov. 25, 2019**

Related U.S. Application Data

(63) Continuation of application No. 29/626,825, filed on Nov. 20, 2017, now Pat. No. Des. 867,850.

(51) **LOC (12) Cl.** **08-06**

(52) **U.S. Cl.**
USPC **D8/310; D8/312**

(58) **Field of Classification Search**
USPC D8/107, 300, 301, 307, 310, 311, 312;
D23/250, 421; D7/393, 394, 396, 402,
D7/406, 543, 545, 547, 548
CPC ... Y10T 292/57; Y10T 292/82; Y10T 16/469;
Y10T 16/44; Y10T 16/476; Y10T
74/2084; Y10T 292/85; Y10T 74/2087;
Y10T 16/4713; Y10T 16/506; Y10T
74/20876; Y10T 74/20612; Y10T
70/5765; Y10T 16/459; Y10T 74/2066;
Y10T 16/487; Y10T 74/20822
See application file for complete search history.

(56) **References Cited**

U.S. PATENT DOCUMENTS

D150,346 S * 7/1948 Felver D8/312
2,943,596 A * 7/1960 Frost G05G 1/10
116/309

D189,142 S * 11/1960 Heckman D8/311
D223,799 S * 6/1972 Jensen
D253,686 S * 12/1979 Wooldridge D8/312
D268,846 S * 5/1983 Jolliffe D18/12
5,518,440 A * 5/1996 Bone B24B 45/006
451/342
5,758,690 A 6/1998 Humpert et al.
D475,269 S * 6/2003 Matern D8/312
D479,310 S 9/2003 Ziemann
D520,859 S * 5/2006 Osiecki D8/312

(Continued)

OTHER PUBLICATIONS

Examination Report dated Feb. 18, 2019, directed to CA Application No. 181494; 1 page.

(Continued)

Primary Examiner — Lauren R Calve

(74) *Attorney, Agent, or Firm* — Morrison & Foerster LLP

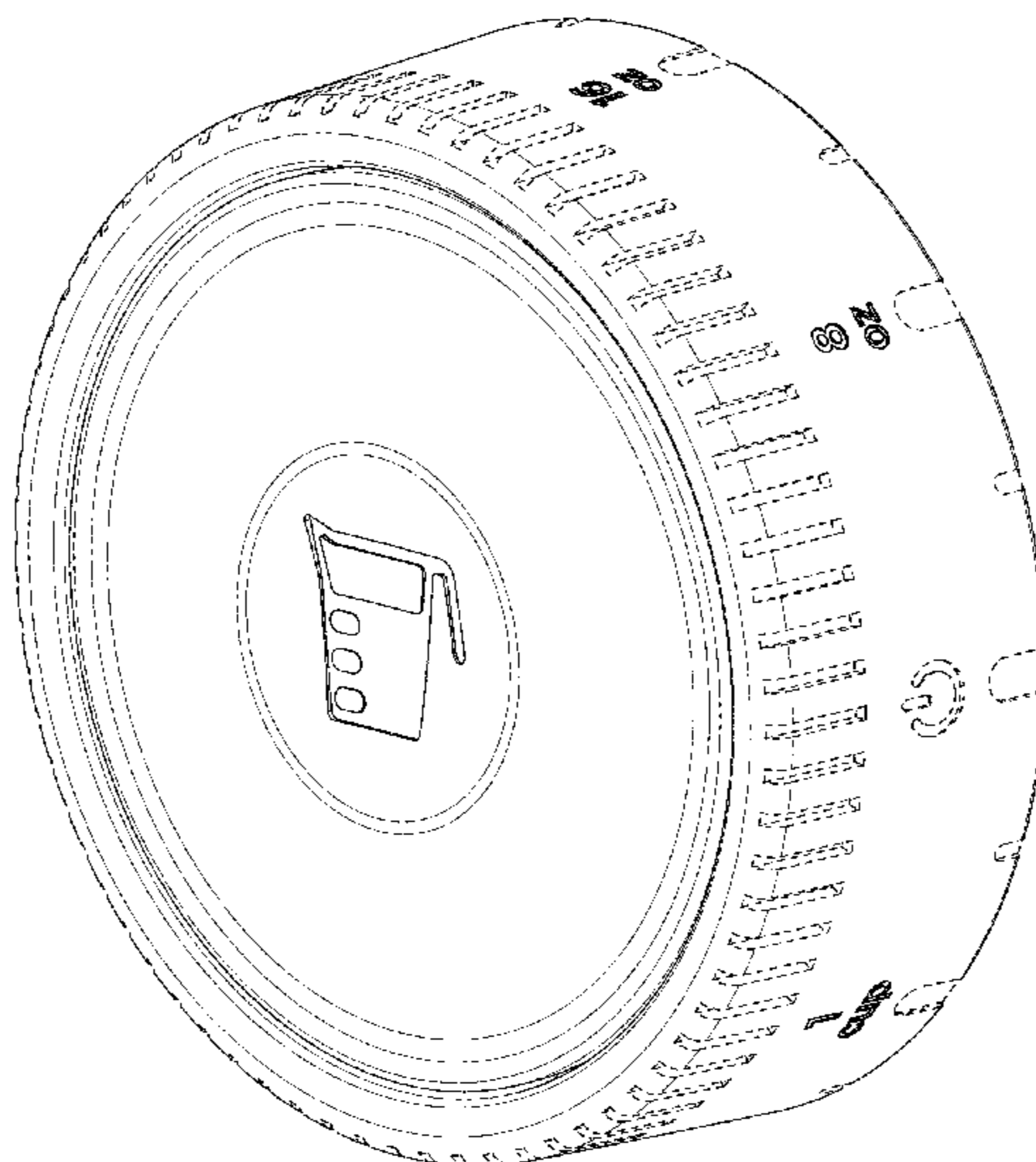
(57) **CLAIM**

We claim the ornamental design for a faucet dial, as shown and described.

DESCRIPTION

FIG. 1 is a front perspective view of a faucet dial showing our new design;
FIG. 2 is a rear perspective view thereof;
FIG. 3 is a front perspective view thereof showing environment;
FIG. 4 is a rear perspective view thereof showing environment;
FIG. 5 is a front view of the faucet dial of FIG. 1;
FIG. 6 is a side view thereof;
FIG. 7 is a bottom view thereof;
FIG. 8 is a top view thereof; and,
FIG. 9 is a side view of the opposite side of FIG. 6.
The broken lines shown in the drawings illustrate portions of a faucet dial that form no part of the claimed design.

1 Claim, 6 Drawing Sheets



(56)

References Cited

U.S. PATENT DOCUMENTS

D541,384 S 4/2007 Citterio
 D562,347 S * 2/2008 Morisawa D14/246
 D589,776 S * 4/2009 Camp D8/310
 D652,898 S * 1/2012 Flowers D23/252
 8,264,338 B2 * 9/2012 Leon B60K 37/06
 340/456
 D668,928 S * 10/2012 Butan D8/312
 D689,595 S 9/2013 Georgeson
 D778,408 S 2/2017 Rexach
 9,631,700 B2 * 4/2017 Edinger G05G 1/015
 D786,650 S * 5/2017 Lira-Nunez D8/311
 D795,395 S 8/2017 Kington et al.
 9,845,868 B2 * 12/2017 Lee F16H 59/08
 D806,512 S * 1/2018 Chow D8/311
 D828,511 S 9/2018 Liu et al.
 D828,518 S 9/2018 Boal
 10,331,160 B2 * 6/2019 Clauss G05F 5/00
 D855,154 S 7/2019 Williams et al.
 D858,465 S * 9/2019 Desbiens D13/174
 10,443,709 B2 * 10/2019 Kelly F16H 59/08
 D867,850 S * 11/2019 Williams D8/312
 D875,092 S * 2/2020 Akana D14/344
 D878,180 S * 3/2020 Bertani D8/311
 10,691,158 B2 * 6/2020 Livolsi G05G 5/06
 2003/0029261 A1 * 2/2003 Dejonge B60K 37/06
 74/335

2003/0178280 A1 * 9/2003 Eto B25B 23/14
 192/110 R
 2009/0084220 A1 * 4/2009 Morizono B60H 1/0065
 74/501.6
 2011/0203571 A1 * 8/2011 Schnetzer C25D 5/12
 126/39 R
 2014/0013897 A1 * 1/2014 Clauss G05G 1/10
 74/553
 2014/0047943 A1 * 2/2014 Camli G05G 1/08
 74/553
 2015/0285351 A1 * 10/2015 Rake F16H 27/06
 74/436

OTHER PUBLICATIONS

Notice of Allowance dated Nov. 16, 2018, directed to MX Appli-
 cation No. MX/f/2018/001246; 5 pages.
 Notice of Allowance dated Nov. 16, 2018, directed to MX Appli-
 cation No. MX/f/2018/001248; 5 pages.
 Notification to Grant Patent Right dated Dec. 27, 2018, directed to
 CN Application No. 201830230612.9; 5 pages.
 Notification to Grant Patent Right dated Mar. 6, 2019, directed to
 CN Application No. 201830230590.6; 6 pages.
 Williams et al., U.S. Office Action dated Mar. 22, 2019, directed to
 U.S. Appl. No. 29/626,825; 7 pages.

* cited by examiner

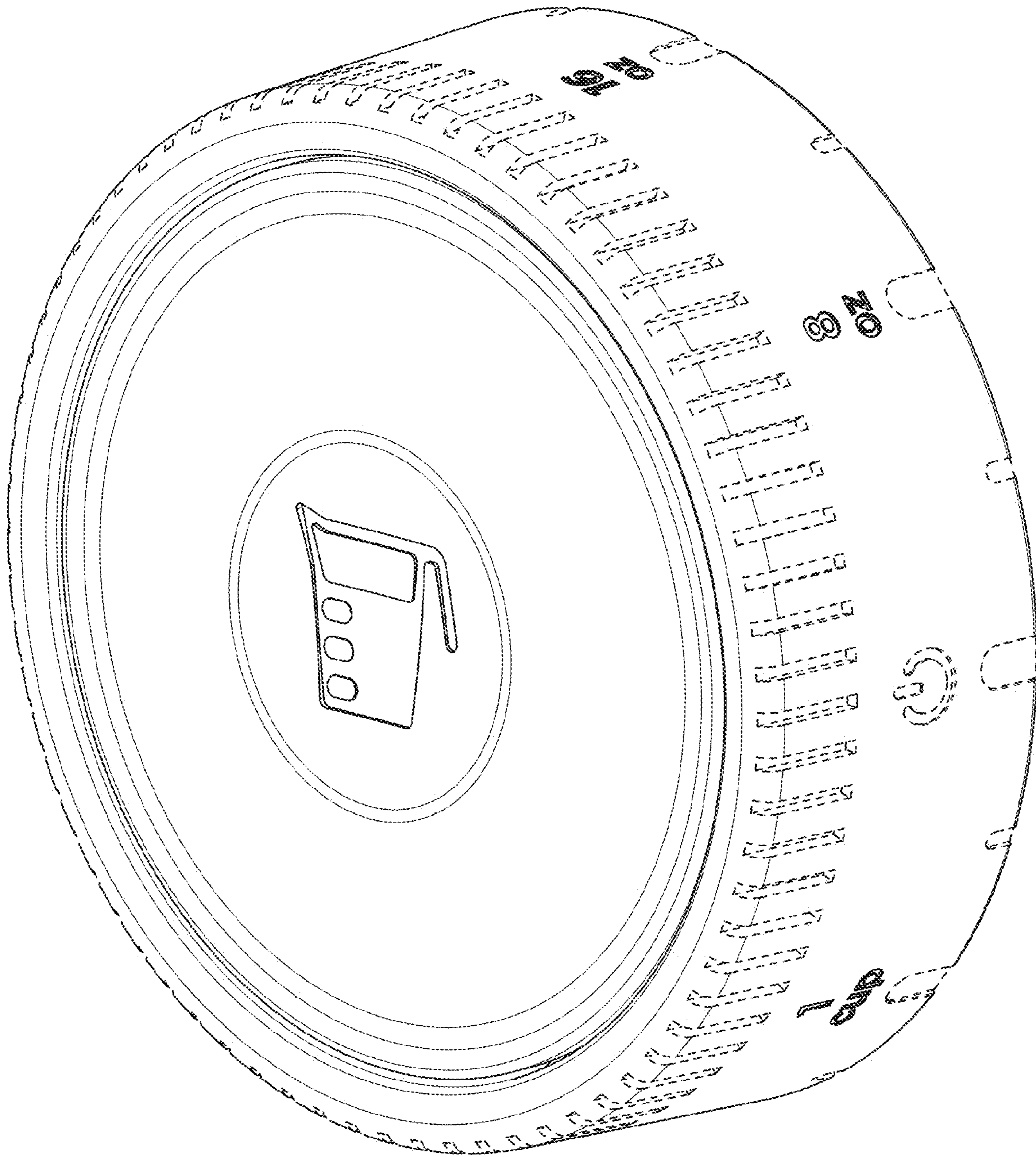


FIG. 1

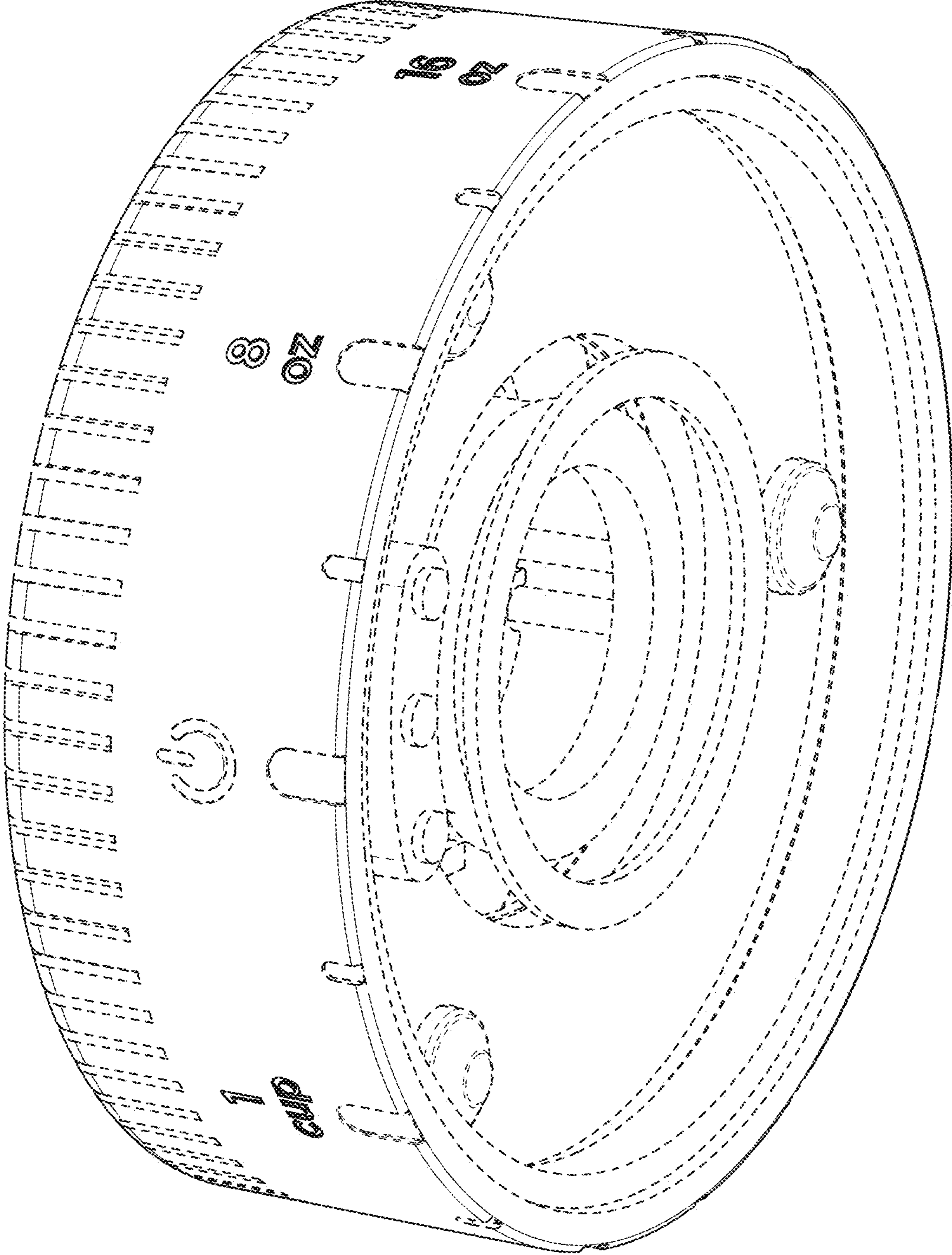


FIG. 2

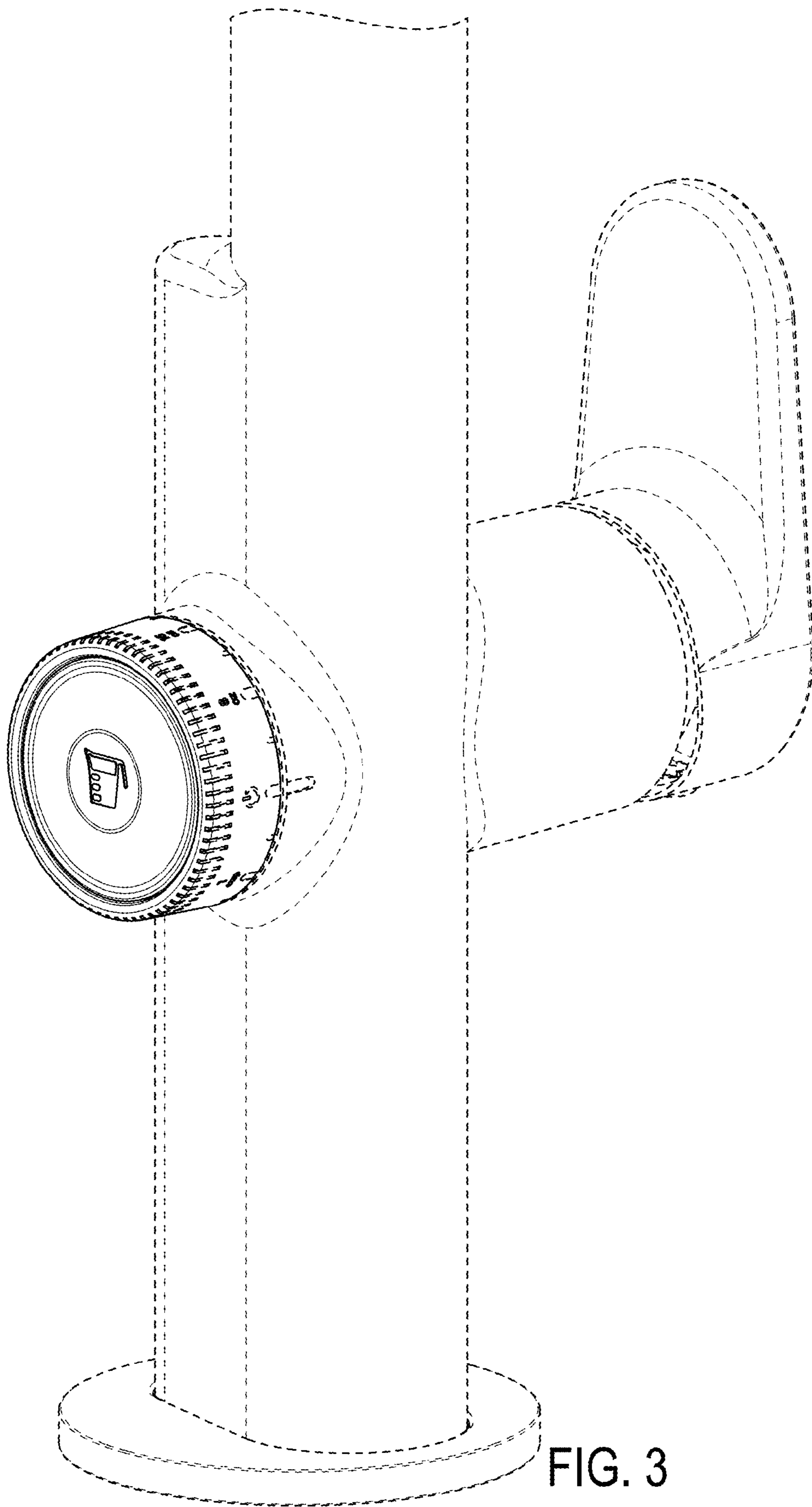


FIG. 3

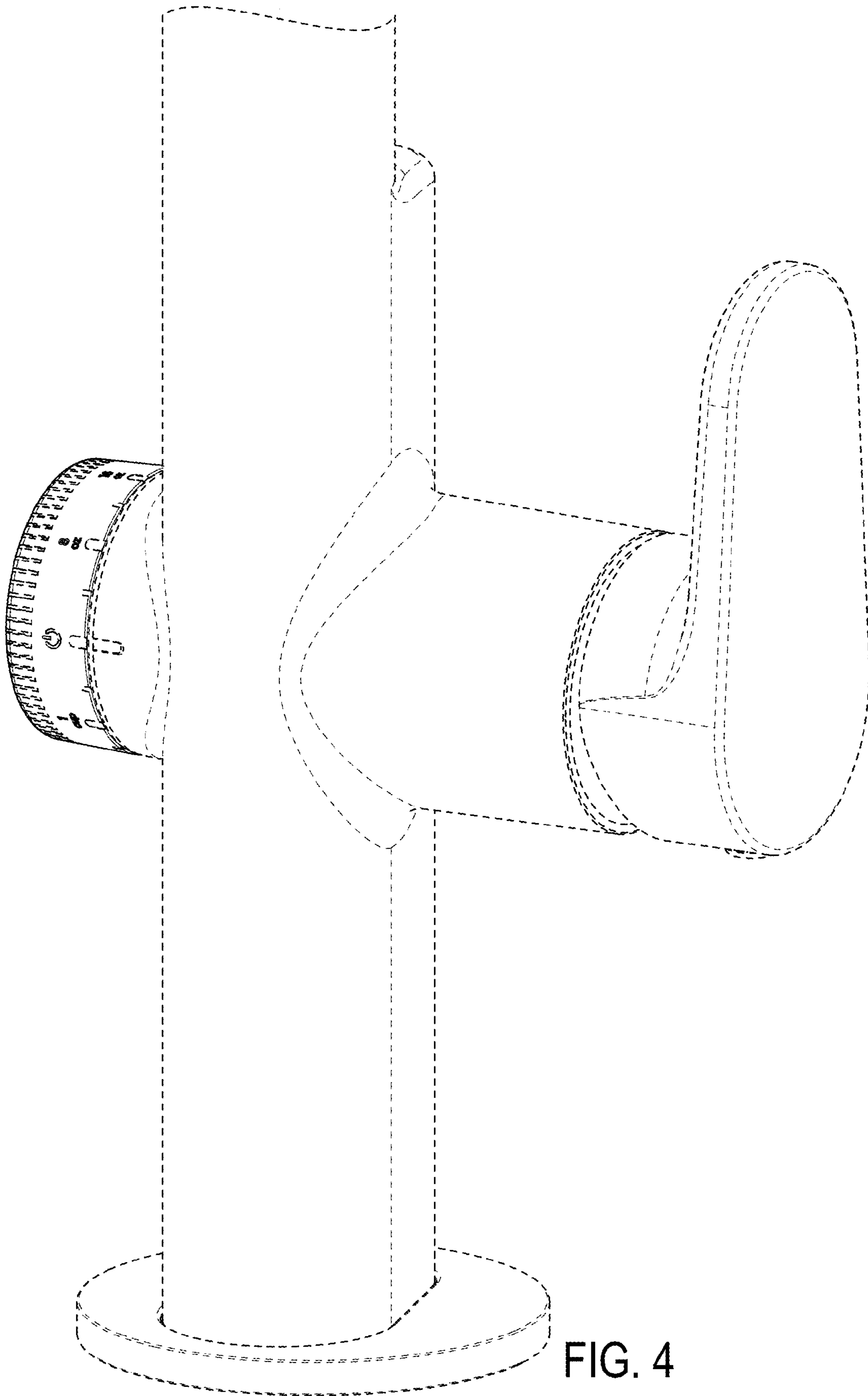


FIG. 4



FIG. 5

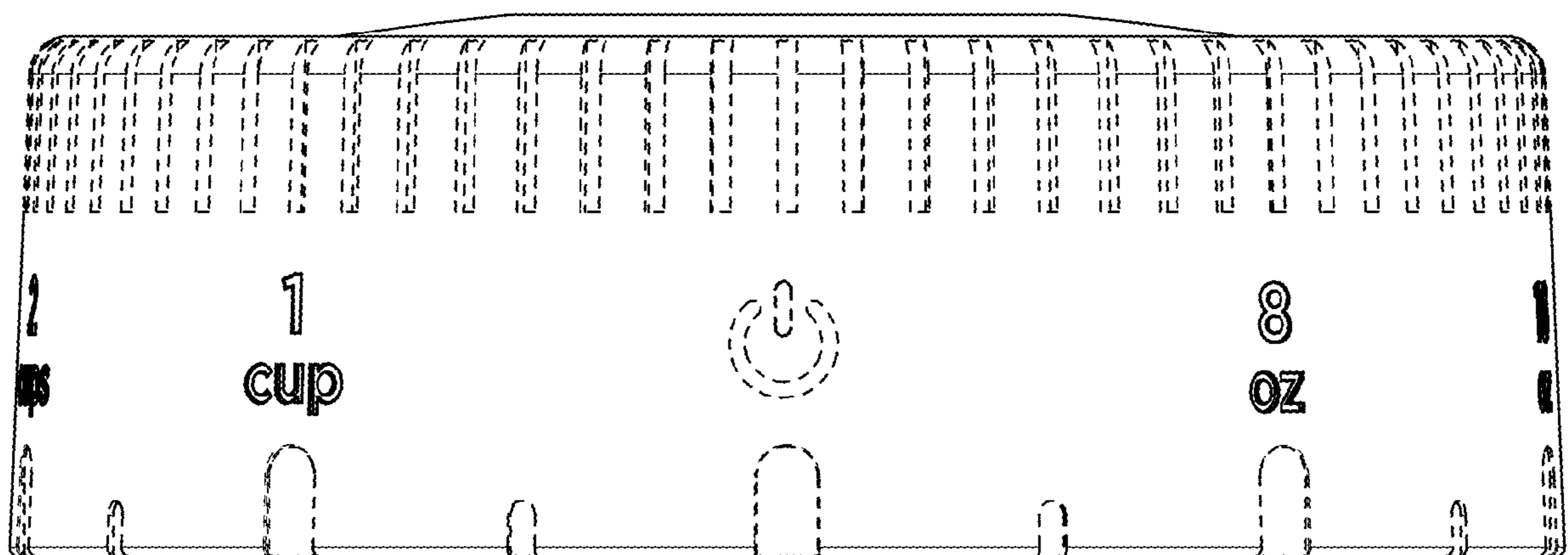


FIG. 6

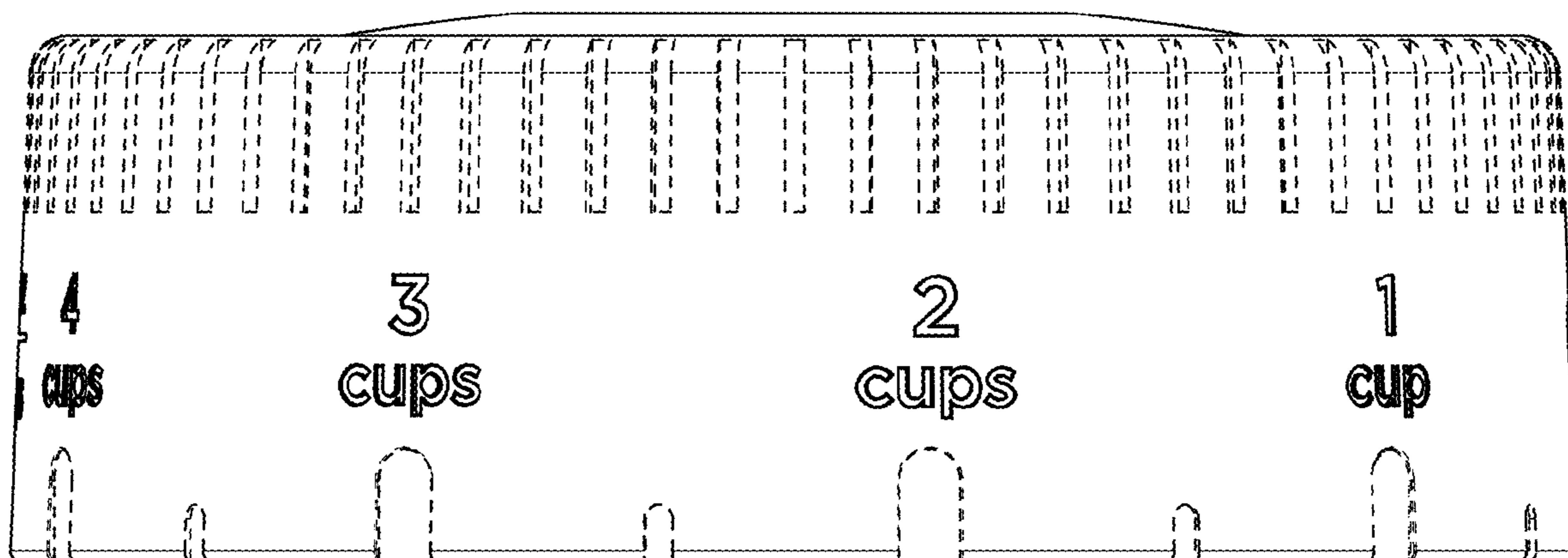


FIG. 7

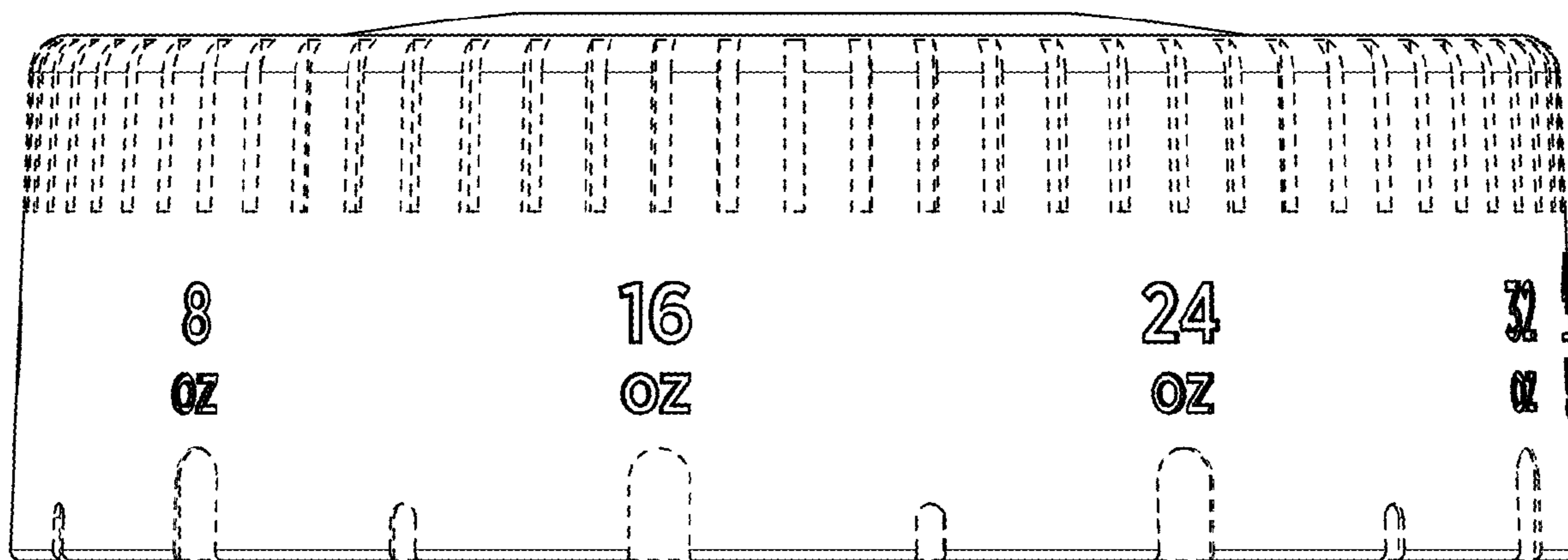


FIG. 8

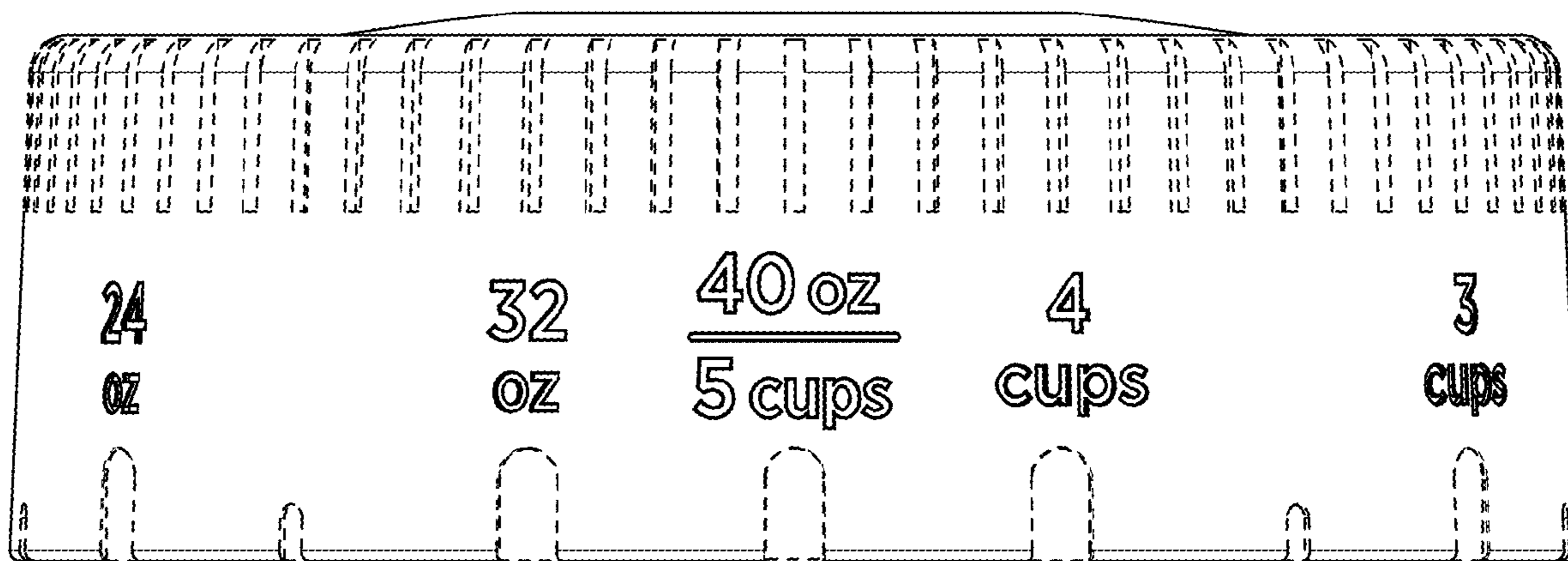


FIG. 9