



US00D892590S

(12) **United States Design Patent** (10) **Patent No.:** **US D892,590 S**  
**Mayberry et al.** (45) **Date of Patent:** **\*\* Aug. 11, 2020**

(54) **BLADE FOR A FOLDING KNIFE**  
(71) Applicant: **Magpul Industries Corp.**, Austin, TX (US)  
(72) Inventors: **Michael T. Mayberry**, Denver, CO (US); **Thomas Ward**, Tualatin, OR (US)  
(73) Assignee: **MAGPUL INDUSTRIES CORP.**, Austin, TX (US)  
(\*\*) Term: **15 Years**  
(21) Appl. No.: **29/676,381**  
(22) Filed: **Jan. 10, 2019**  
(51) **LOC (12) Cl.** ..... **08-03**  
(52) **U.S. Cl.**  
USPC ..... **D8/99**  
(58) **Field of Classification Search**  
USPC ..... D8/98, 99, 100, 105, 107; D22/118  
(Continued)

(56) **References Cited**  
U.S. PATENT DOCUMENTS  
D303,210 S \* 9/1989 Thompson ..... D8/99  
D409,070 S \* 5/1999 Elishewitz ..... D8/98  
(Continued)

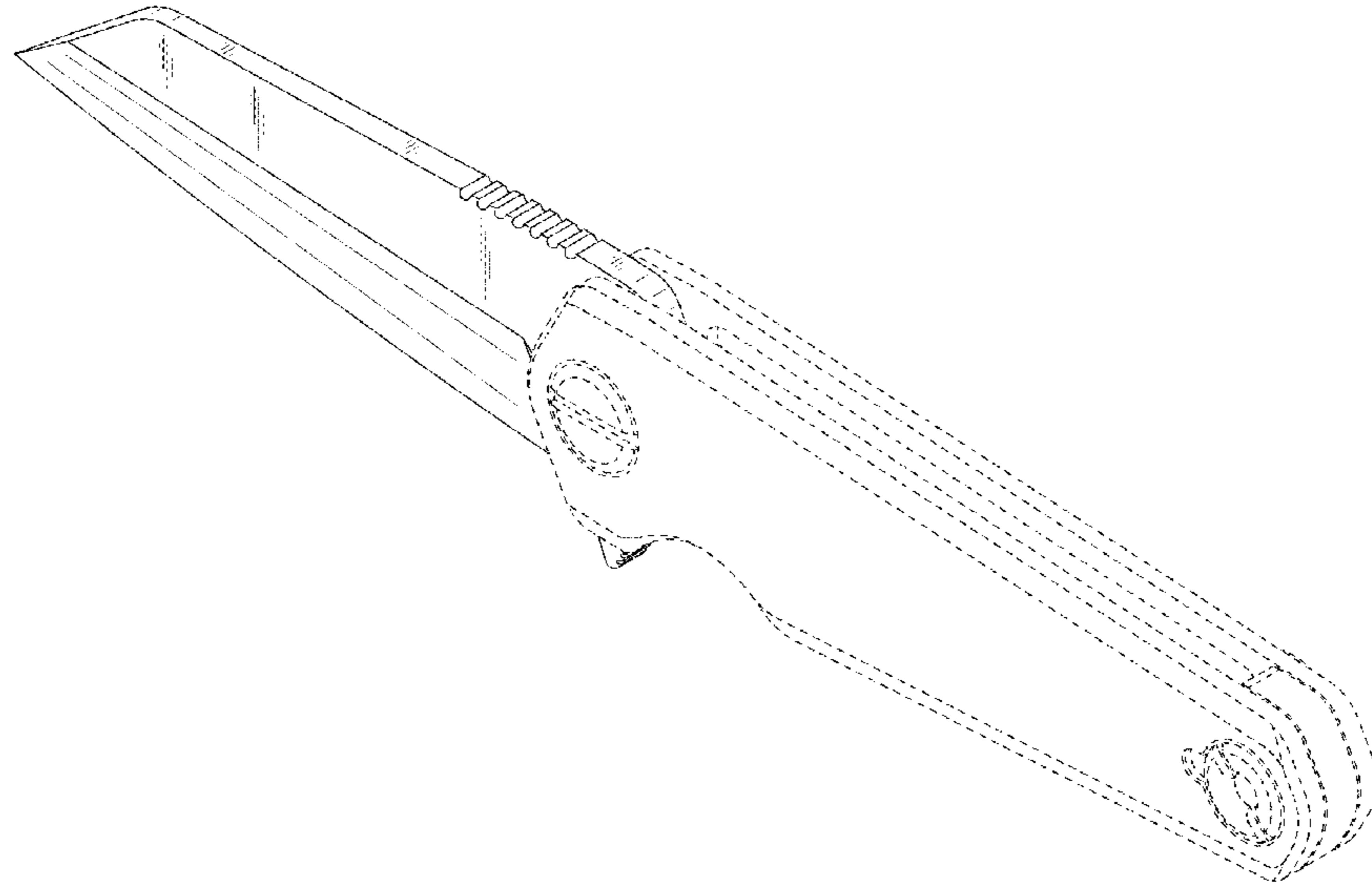
OTHER PUBLICATIONS  
Ganzo Firebird FH31 knife With Warncliffe blade, Found on Amazon.com.\*  
(Continued)

*Primary Examiner* — Philip S Hyder  
(74) *Attorney, Agent, or Firm* — Neugeboren O’Dowd PC

(57) **CLAIM**  
The ornamental design for a blade for a folding knife, as shown.

**DESCRIPTION**  
FIG. 1 is a rear, right, top perspective view of the blade for a folding knife in a deployed configuration;  
FIG. 2 is a front, left, bottom perspective view of the blade for a folding knife in FIG. 1;  
FIG. 3 is a left side elevation view of the blade for a folding knife in FIG. 1;  
FIG. 4 is a right side elevation view of the blade for a folding knife in FIG. 1;  
FIG. 5 is a front elevation view of the blade for a folding knife in FIG. 1;  
FIG. 6 is a rear elevation view of the blade for a folding knife in FIG. 1;  
FIG. 7 is a top view of the blade for a folding knife in FIG. 1;  
FIG. 8 is a bottom view of the blade for a folding knife in FIG. 1;  
FIG. 9 is a rear, right, top perspective view of the blade for a folding knife in FIG. 1 in a folded configuration;  
FIG. 10 is a front, left, bottom perspective view of the blade for a folding knife in FIG. 9;  
FIG. 11 is a left side elevation view of the blade for a folding knife in FIG. 9;  
FIG. 12 is a right side elevation view of the blade for a folding knife in FIG. 9;  
FIG. 13 is a front elevation view of the blade for a folding knife in FIG. 9;  
FIG. 14 is a rear elevation view of the blade for a folding knife in FIG. 9;  
FIG. 15 is a top view of the blade for a folding knife in FIG. 9; and,  
FIG. 16 is a bottom view of the blade for a folding knife in FIG. 9.  
The shade lines in the Figures show contour and not surface ornamentation.  
The broken lines showing portions of the design in all figures are included for the purpose of illustrating environment and do not form a part of the claimed design.

**1 Claim, 16 Drawing Sheets**



(58) **Field of Classification Search**

CPC ..... B26B 5/001; B26B 5/003; B26B 11/00;  
 B26B 1/08; B26B 1/02; B26B 1/10;  
 B26B 1/04; B26B 1/042; B26B 1/048;  
 B26B 3/08; B26B 29/06

See application file for complete search history.

(56) **References Cited**

U.S. PATENT DOCUMENTS

D429,986	S *	8/2000	Cheng	.....	D8/99
6,101,722	A *	8/2000	Cheng	.....	B26B 1/02 30/155
D435,421	S *	12/2000	Strider	.....	D8/99
D438,442	S *	3/2001	Osborne	.....	D8/20
6,338,431	B1 *	1/2002	Onion	.....	B26B 1/048 30/160
D495,916	S *	9/2004	Zhu	.....	D7/309
D495,940	S *	9/2004	Keppel	.....	D8/99
7,243,430	B1	7/2007	Lerch		
7,437,822	B2	10/2008	Flagg et al.		
D768,457	S *	10/2016	Yuhuan	.....	D8/99
9,492,916	B2 *	11/2016	Snyder	.....	B26B 1/046
9,737,997	B1	8/2017	Marfione et al.		
D811,848	S *	3/2018	Ogata	.....	D8/99
D813,623	S *	3/2018	Marfione	.....	D8/20
2007/0186420	A1	8/2007	Koelewyn		
2017/0136634	A1	5/2017	Kao		
2017/0232622	A1	8/2017	Bruhns		

OTHER PUBLICATIONS

Moon, Will, "The First Moon MK12 Heading Out!", "Retrieved from <http://willmooncustomknives.blogspot.com/2012/12/the-first-moon-mk12-heading-out.html>", Dec. 4, 2012, p. 1 Published in: US.

Connelley, Larry, "Benchmade Axis Lock—Knife Lock Mechanism Explained", "Retrieved from <https://www.knifeart.com/benchmade-axis-lock.html>", 2016, p. 2 Published in: US.

Carl Kammerling International Ltd., "Folding Utility Knife", "Retrieved from [http://www.ck-tools.com/products/ck\\_tools/sawing\\_cutting/trimming\\_knives/folding\\_utility\\_knife/](http://www.ck-tools.com/products/ck_tools/sawing_cutting/trimming_knives/folding_utility_knife/)", Known to exist as early as Dec. 4, 2018, p. 1.

Coast Products, Inc., "DX311", "Retrieved from <https://coastportland.com/product/dx311/>", Known to exist as early as Dec. 4, 2018, p. 2.

Columbia River Knife and Tool, "Homefront", "Retrieved from <https://www.crkt.com/homefront.html>", Known to exist as early as Dec. 4, 2018, p. 3 Published in: US.

SOG Specialty Knives & Tools, LLC, "Flash II Black Serrated", "Retrieved from <https://www.sogknives.com/type/knives/flash-ii-partially-serrated-black-tini-clam-pack.html>", Known to exist as early as Dec. 4, 2018, p. 5.

SOG Specialty Knives & Tools, LLC, "Kiku Assisted Satin", "Retrieved from <https://www.sogknives.com/type/knives/kiku-assisted-satin.html>", Known to exist as early as Dec. 4, 2018, p. 4.

\* cited by examiner

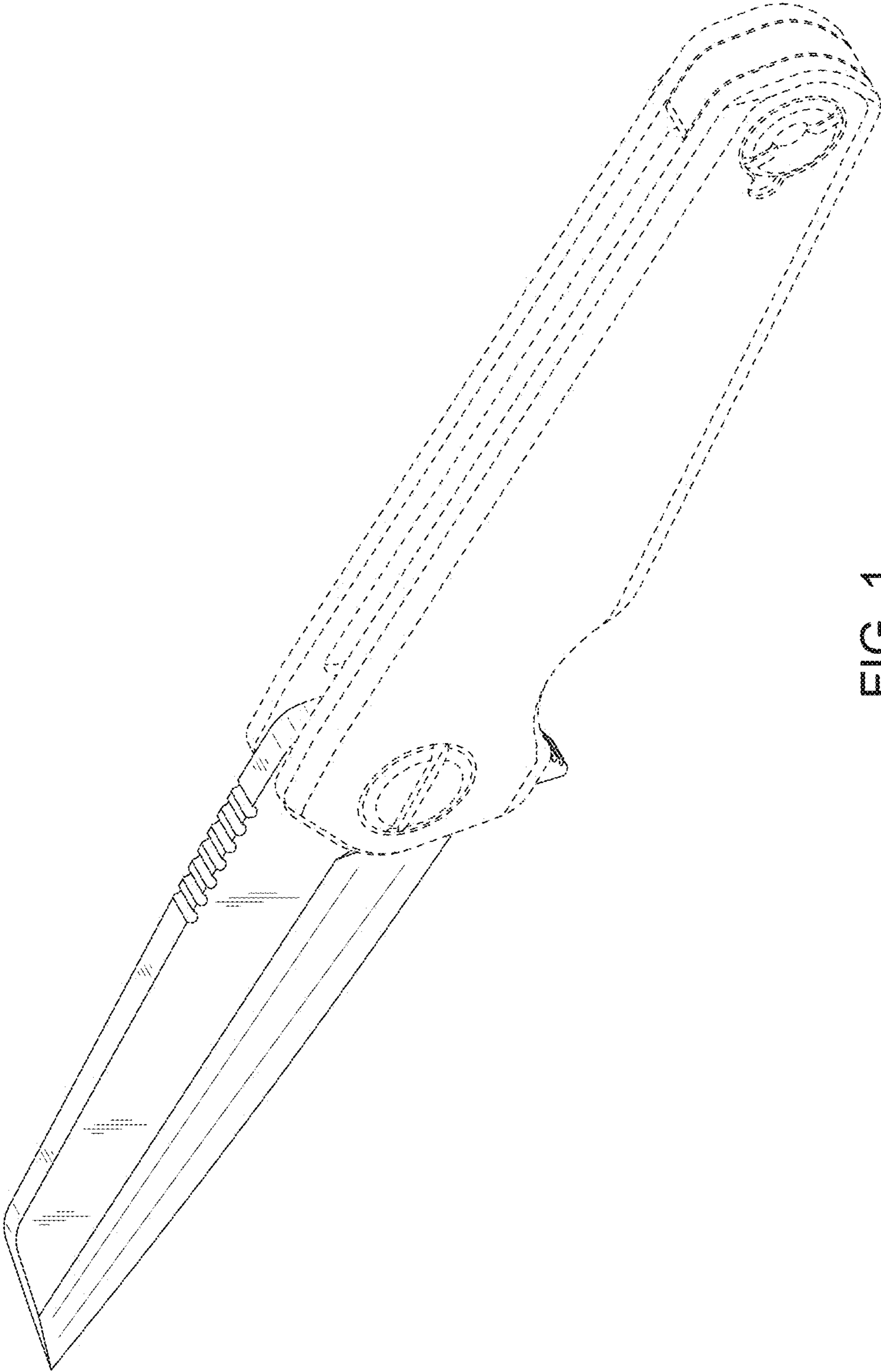


FIG. 1

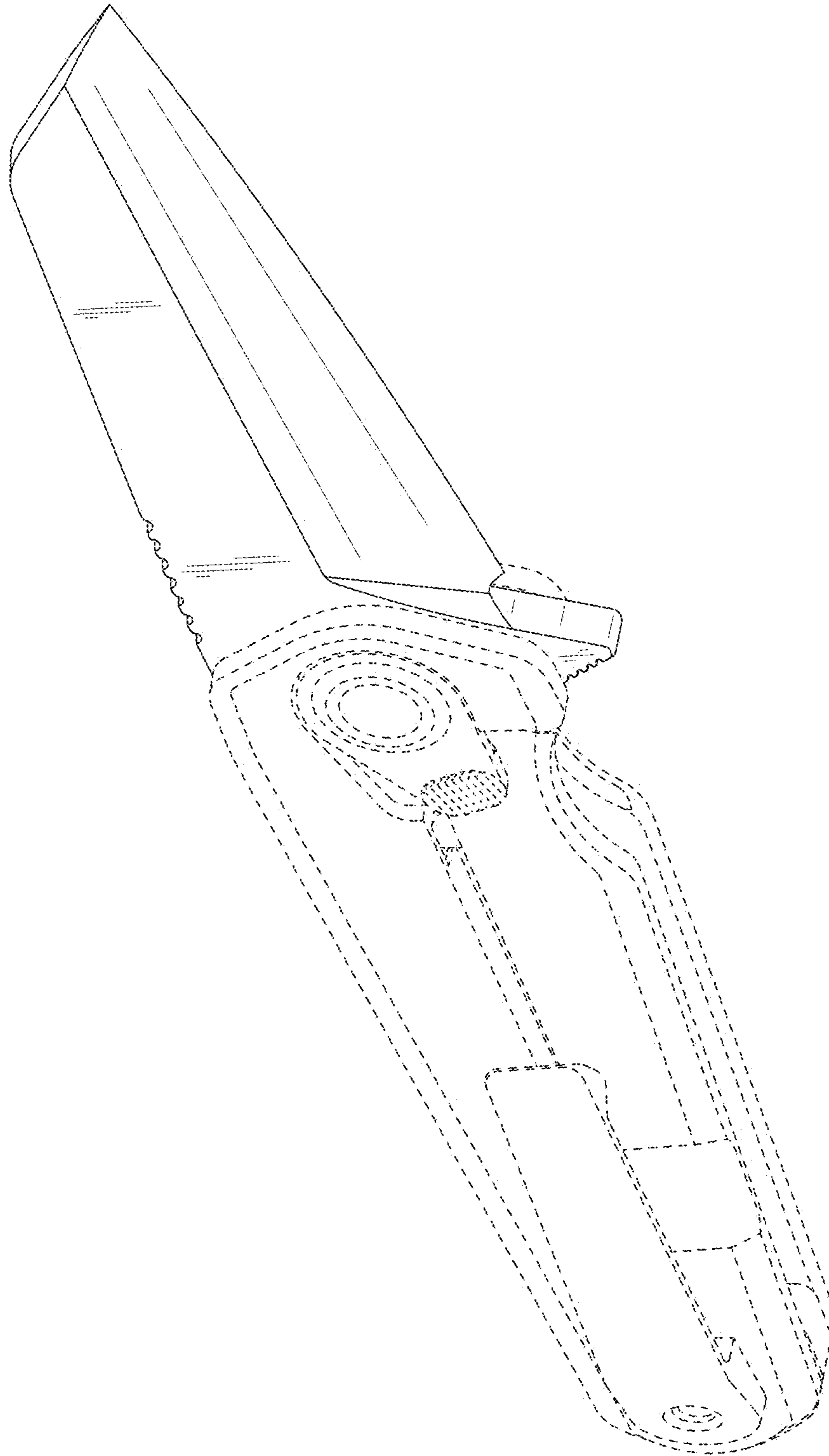


FIG. 2



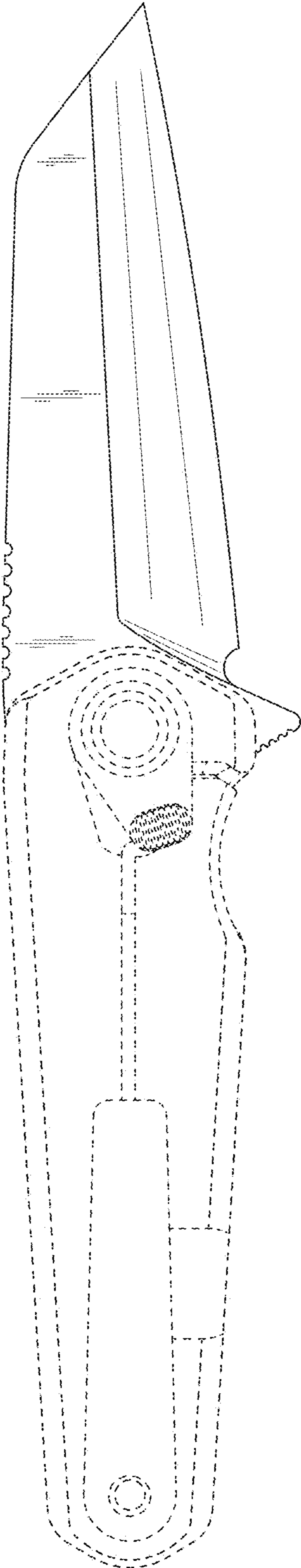


FIG. 3

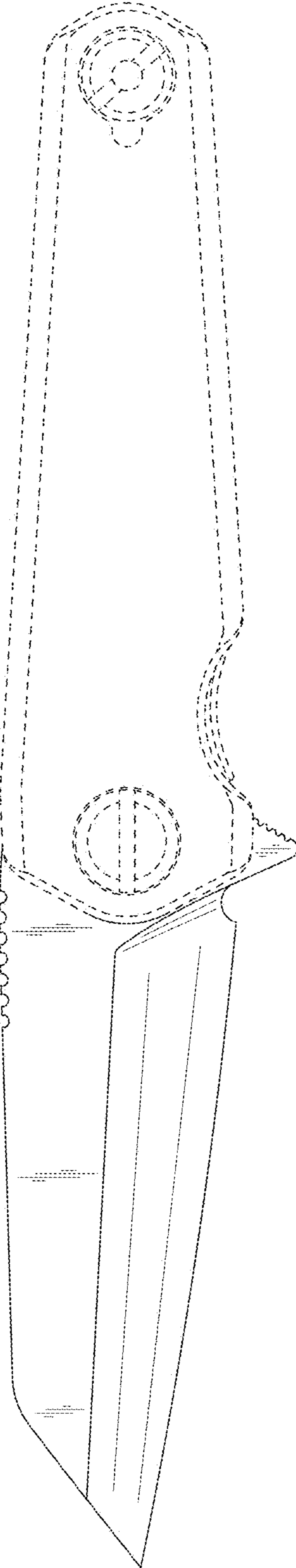


FIG. 4

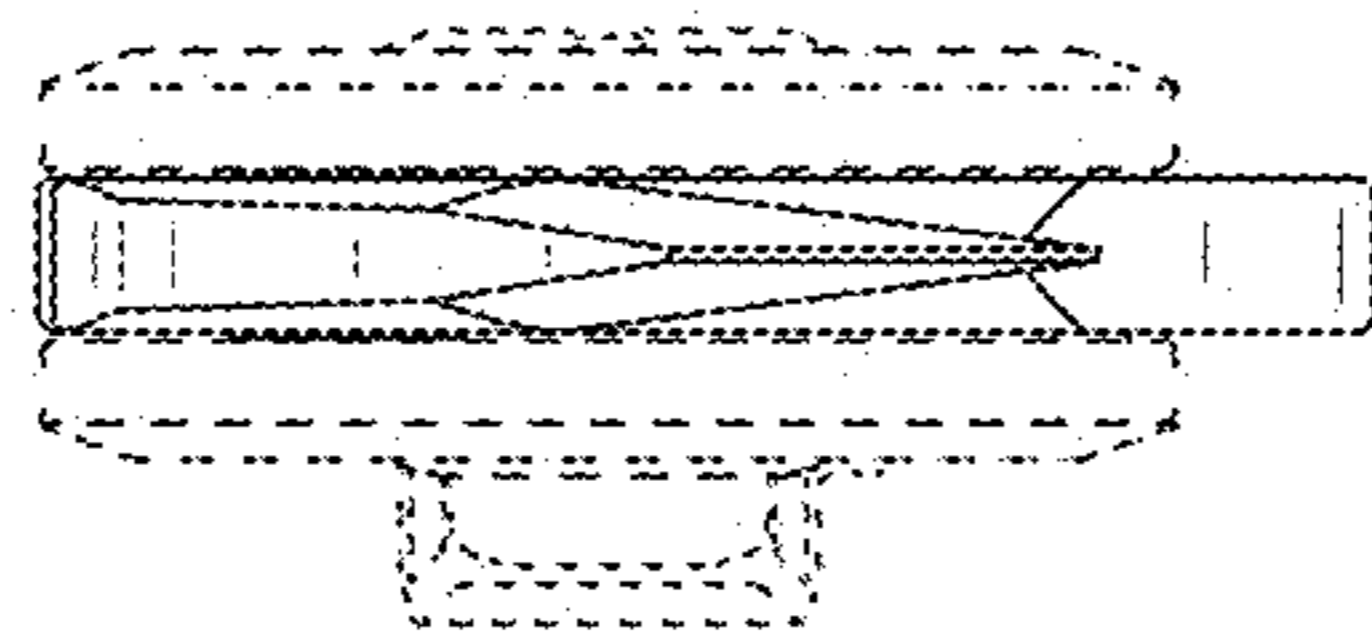


FIG. 5



FIG. 6



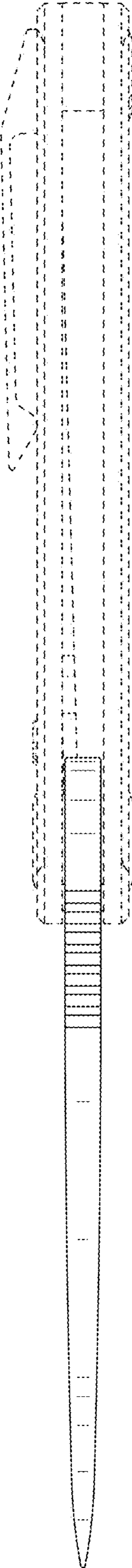


FIG. 7

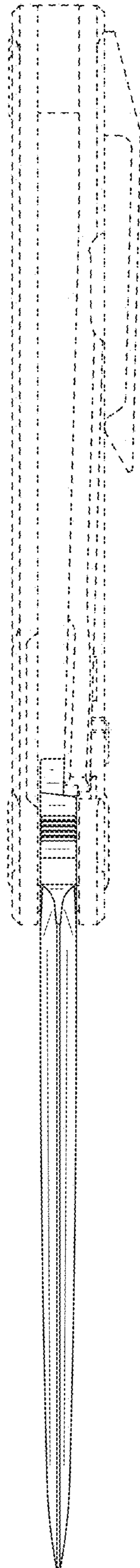


FIG. 8

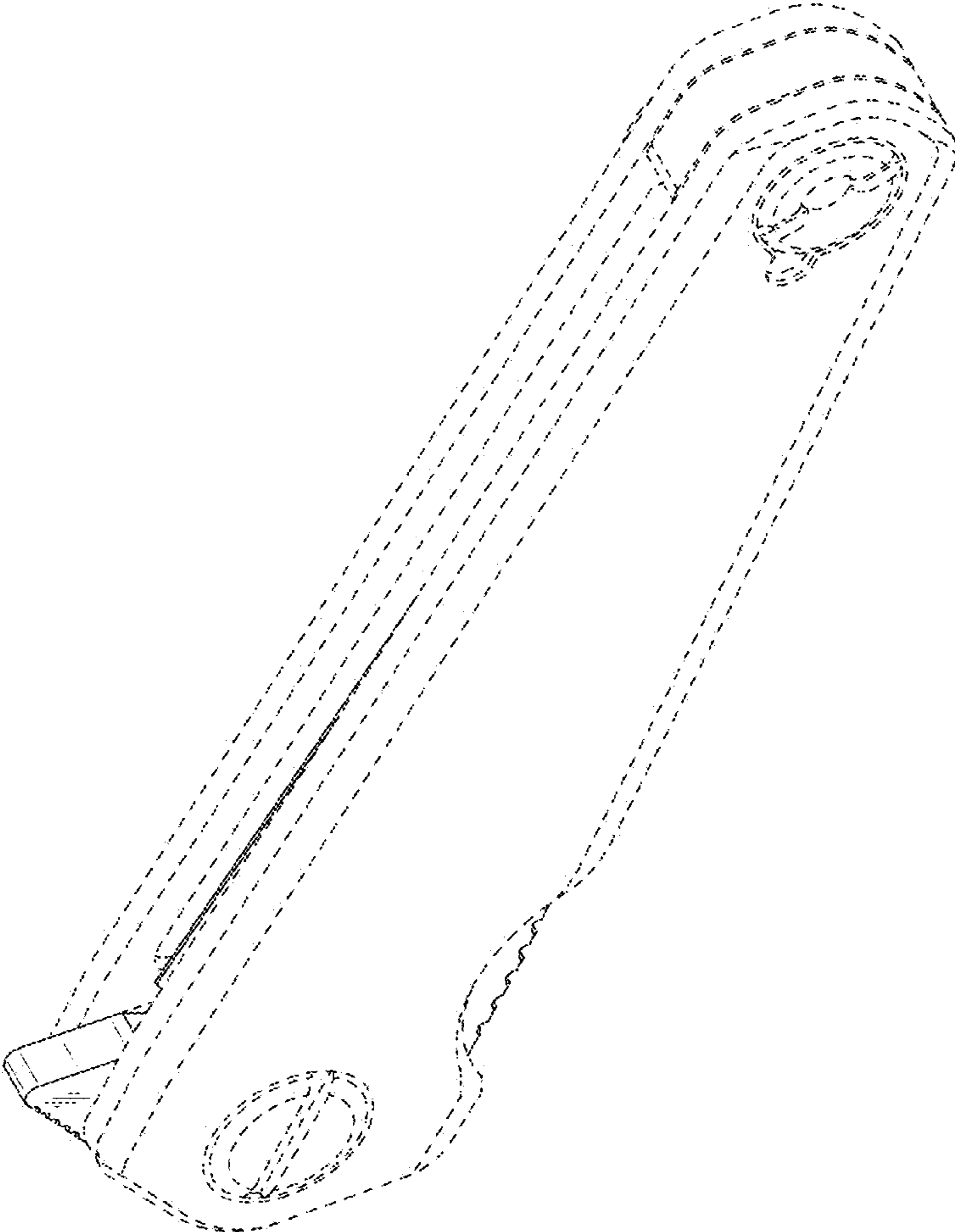


FIG. 9

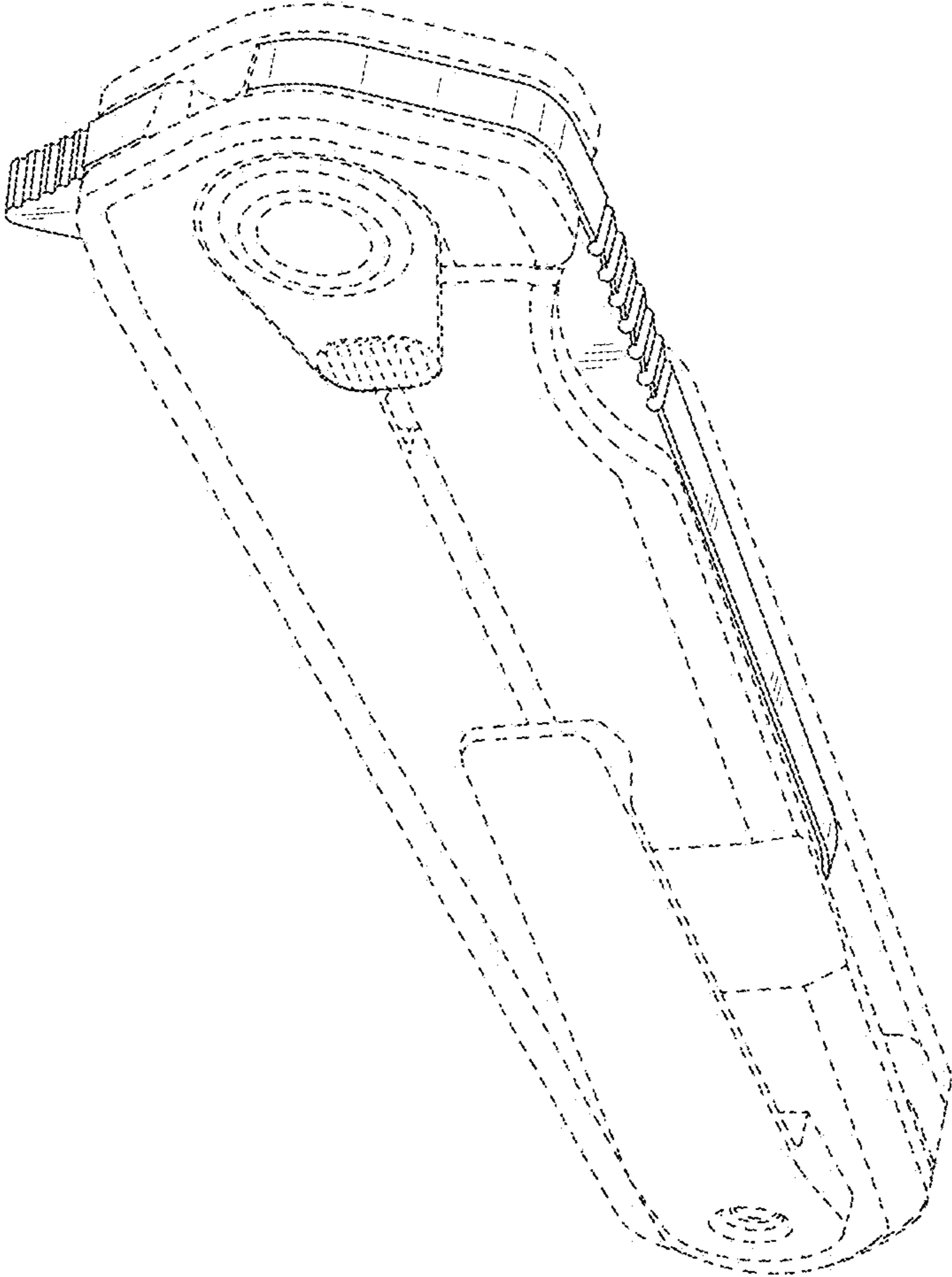


FIG. 10

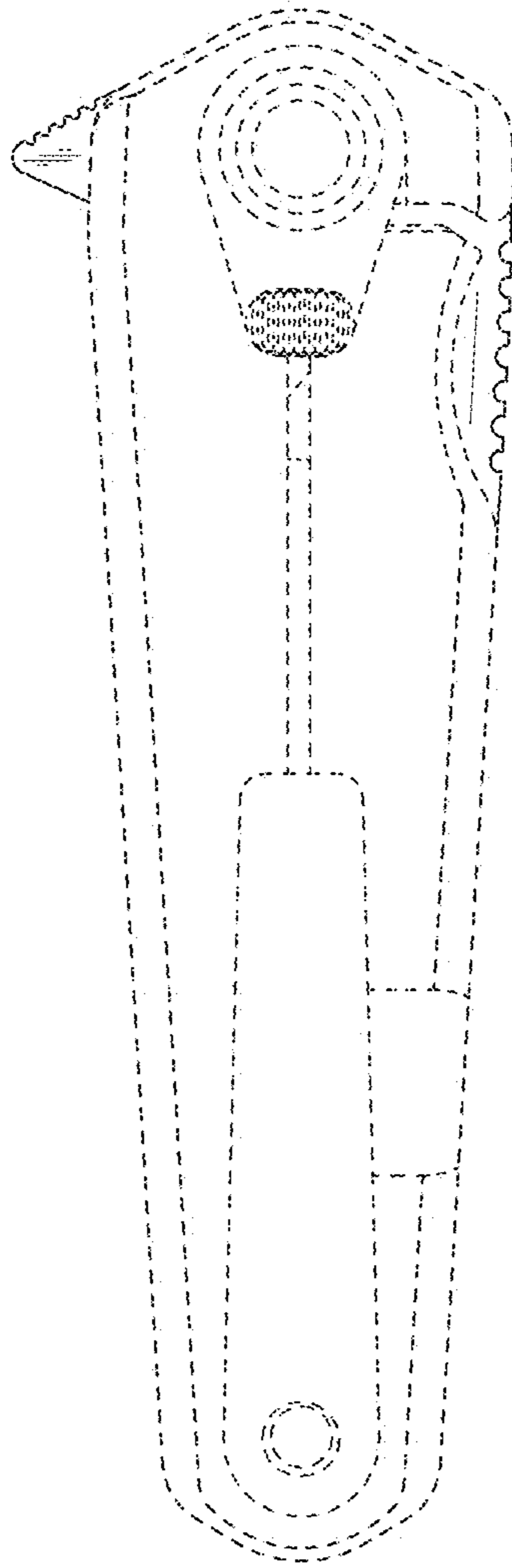


FIG. 11

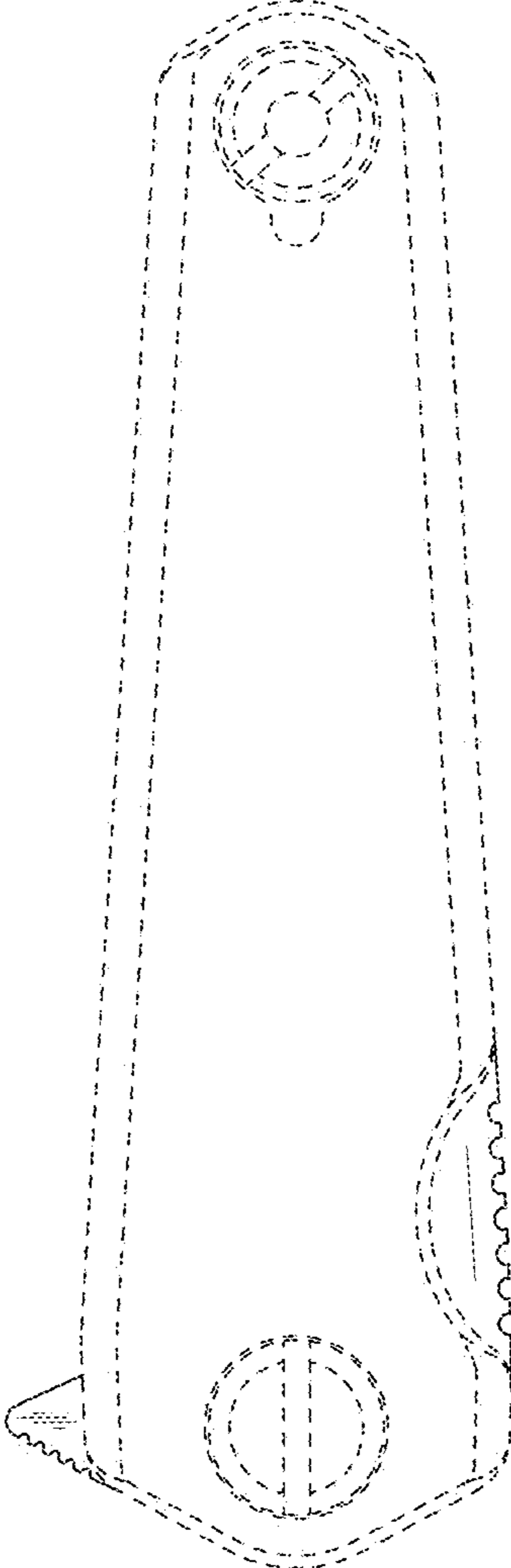


FIG. 12



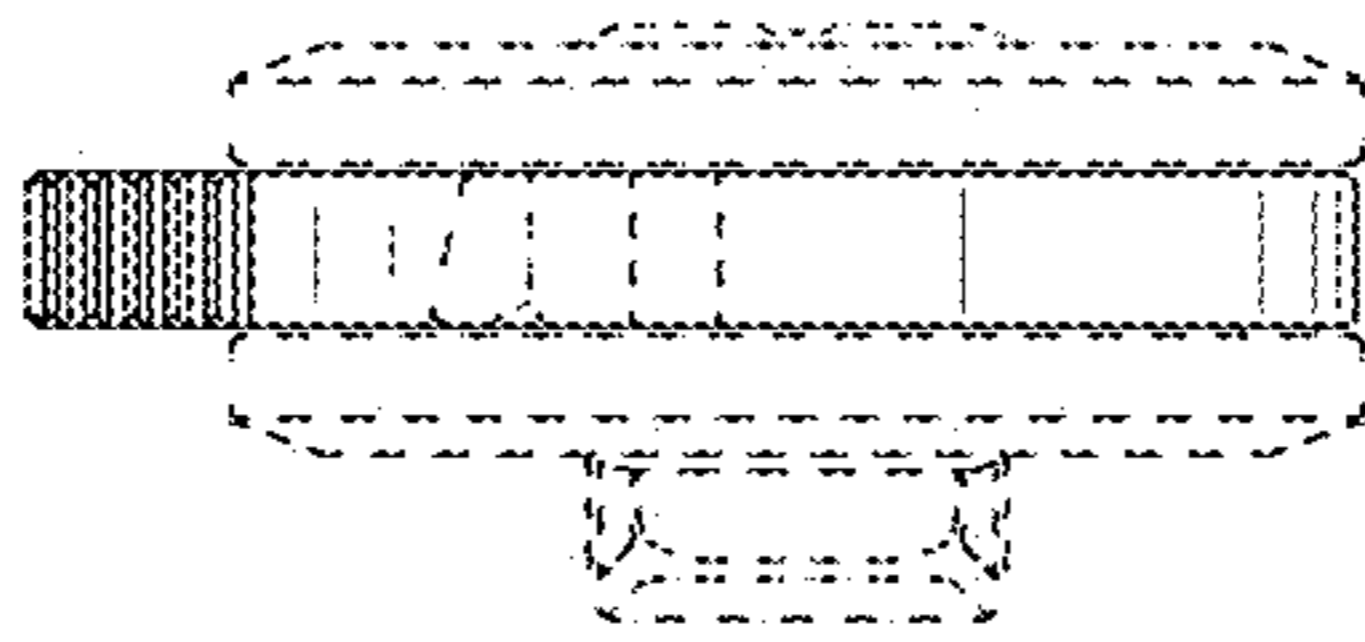


FIG. 13

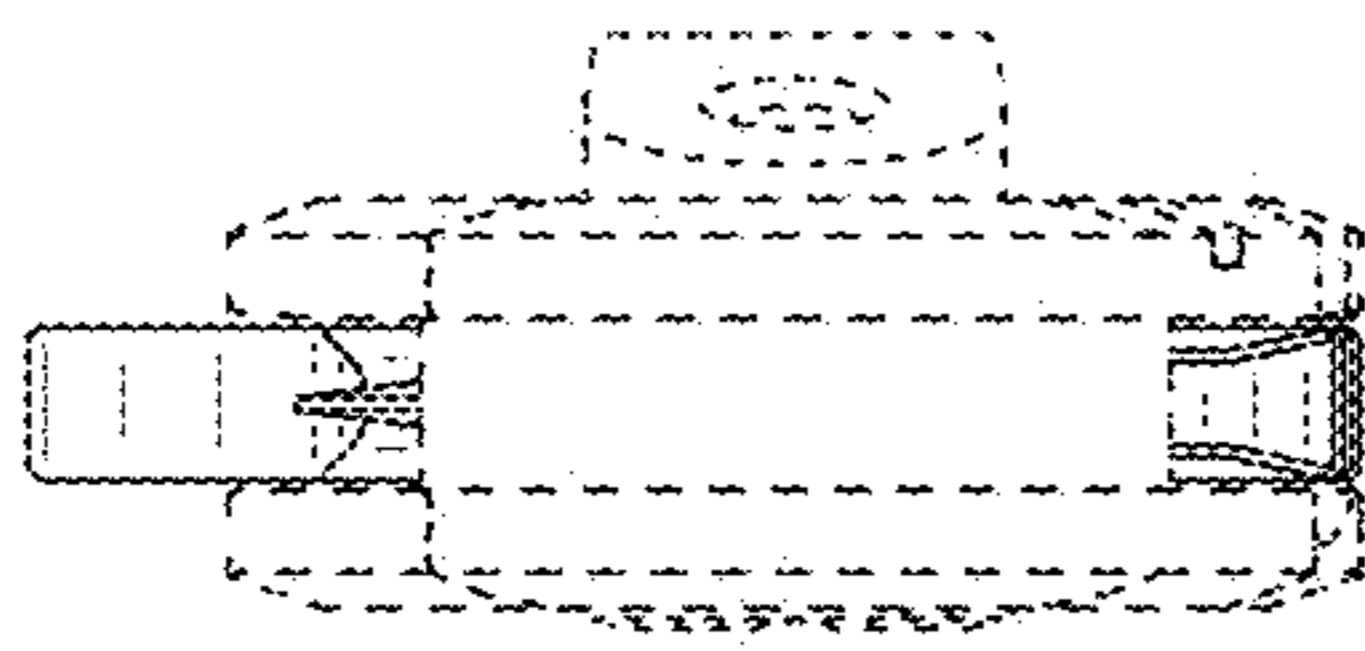


FIG. 14

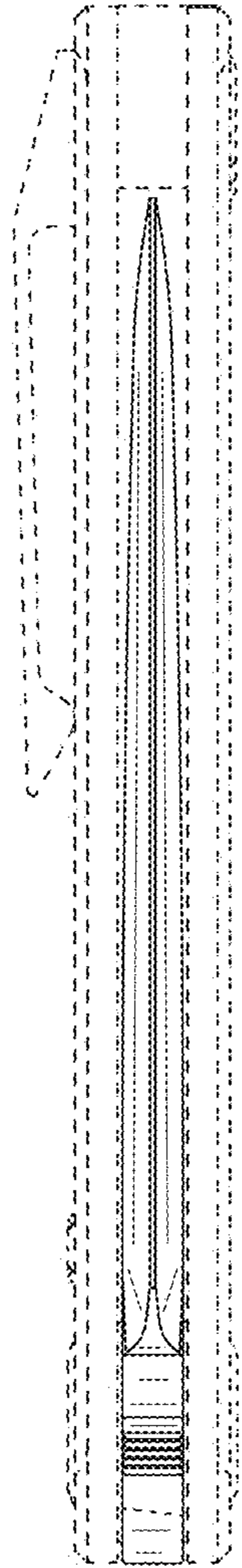


FIG. 15

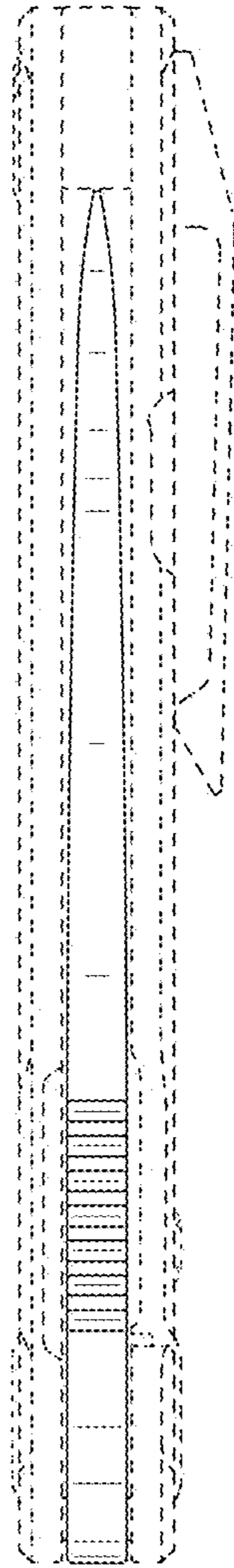


FIG. 16