



US00D892589S

(12) **United States Design Patent** (10) **Patent No.:** **US D892,589 S**
Mayberry et al. (45) **Date of Patent:** **** Aug. 11, 2020**

(54) **FOLDING KNIFE**

(71) Applicant: **Magpul Industries Corp.**, Austin, TX (US)

(72) Inventors: **Michael T. Mayberry**, Denver, CO (US); **Thomas Ward**, Tualatin, OR (US)

(73) Assignee: **Magpul Industries Corp.**, Austin, TX (US)

(**) Term: **15 Years**

(21) Appl. No.: **29/676,378**

(22) Filed: **Jan. 10, 2019**

(51) **LOC (12) Cl.** **08-03**

(52) **U.S. Cl.**
USPC **D8/99**

(58) **Field of Classification Search**
USPC D8/98, 99, 100, 105, 107; D22/118
(Continued)

(56) **References Cited**

U.S. PATENT DOCUMENTS

5,755,035 A * 5/1998 Weatherly B26B 1/044
30/160
6,490,797 B1 * 12/2002 Lake B26B 1/044
30/160

(Continued)

OTHER PUBLICATIONS

Moon, Will, "The First Moon MK12 Heading Out!", "Retrieved from <http://willmooncustomknives.blogspot.com/2012/12/the-first-moon-mk12-heading-out.html>", Dec. 4, 2012, p. 1 Published in: US.
(Continued)

Primary Examiner — Philip S Hyder

(74) *Attorney, Agent, or Firm* — Neugeboren O'Dowd PC

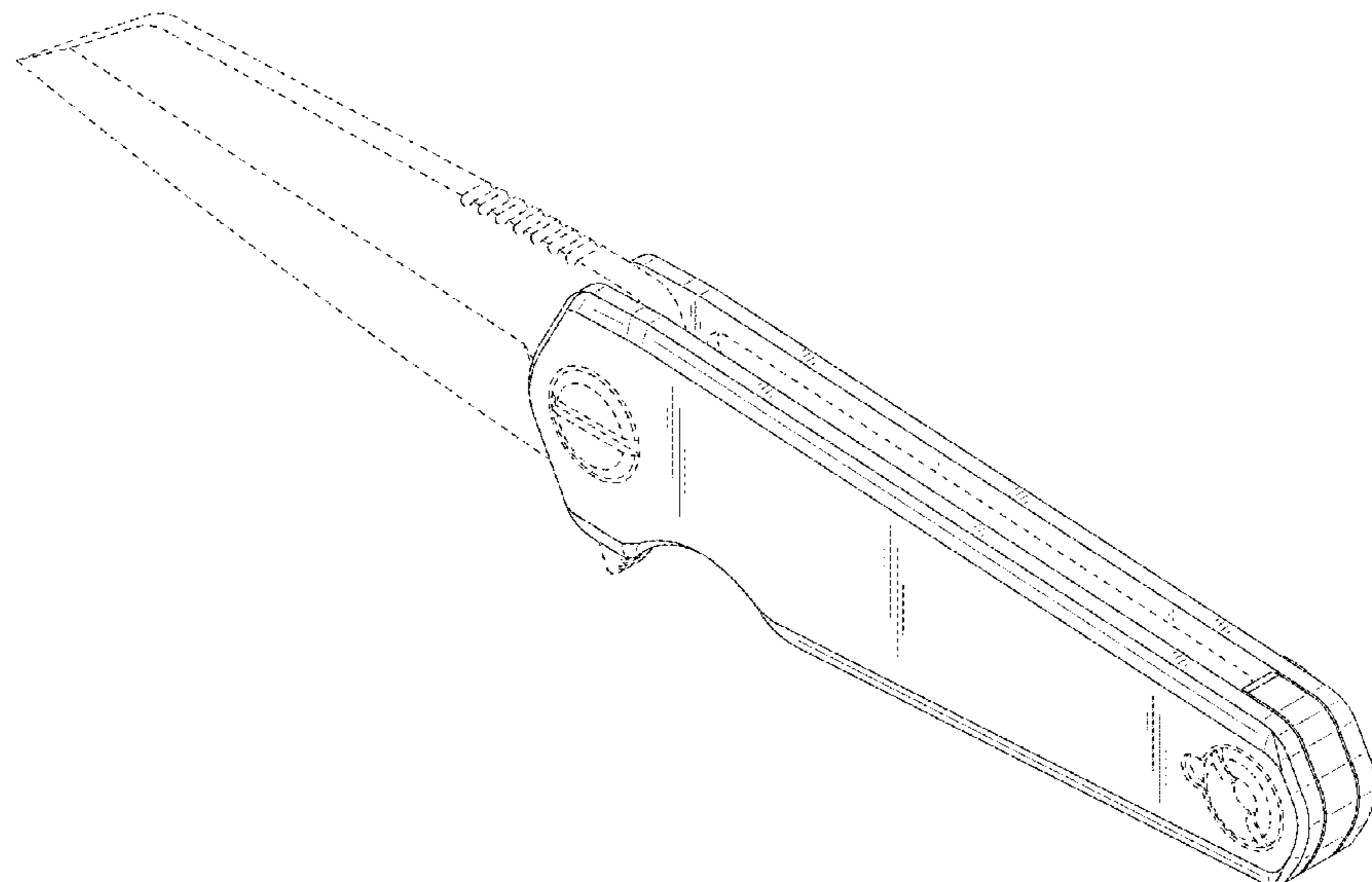
(57) **CLAIM**

The ornamental design for a folding knife, as shown.

DESCRIPTION

FIG. 1 is a rear, right, top perspective view of the folding knife in a deployed configuration;
FIG. 2 is a front, left, bottom perspective view of the folding knife in FIG. 1;
FIG. 3 is a left side elevation view of the folding knife in FIG. 1;
FIG. 4 is a right side elevation view of the folding knife in FIG. 1;
FIG. 5 is a front elevation view of the folding knife in FIG. 1;
FIG. 6 is a rear elevation view of the folding knife in FIG. 1;
FIG. 7 is a top view of the folding knife in FIG. 1;
FIG. 8 is a bottom view of the folding knife in FIG. 1;
FIG. 9 is a rear, right, top perspective view of the folding knife in FIG. 1 in a folded configuration;
FIG. 10 is a front, left, bottom perspective view of the folding knife in FIG. 9;
FIG. 11 is a left side elevation view of the folding knife in FIG. 9;
FIG. 12 is a right side elevation view of the folding knife in FIG. 9;
FIG. 13 is a front elevation view of the folding knife in FIG. 9;
FIG. 14 is a rear elevation view of the folding knife in FIG. 9;
FIG. 15 is a top view of the folding knife in FIG. 9; and, FIG. 16 is a bottom view of the folding knife in FIG. 9.
The shade lines in the figures show contour and not surface ornamentation.
The broken lines showing portions of the design in all figures are included for the purpose of illustrating environment and do not form a part of the claimed design.

1 Claim, 16 Drawing Sheets



- (58) **Field of Classification Search**
 CPC B26B 5/001; B26B 5/003; B26B 11/00;
 B26B 1/08; B26B 1/02; B26B 1/10;
 B26B 1/04; B26B 1/042; B26B 1/048;
 B26B 3/08; B26B 29/06
 See application file for complete search history.

2007/0186420	A1	8/2007	Koelewyn	
2015/0343650	A1*	12/2015	Valdez	B26B 1/02 30/159
2017/0136634	A1	5/2017	Kao	
2017/0232622	A1	8/2017	Bruhns	

OTHER PUBLICATIONS

- (56) **References Cited**

U.S. PATENT DOCUMENTS

6,591,504	B2*	7/2003	Onion	B26B 1/044 30/160
D497,531	S *	10/2004	Carter, III	D8/99
6,941,661	B2*	9/2005	Frazer	B26B 1/048 30/160
7,243,430	B1	7/2007	Lerch	
D567,055	S *	4/2008	Renzi	D8/99
7,437,822	B2	10/2008	Flagg et al.	
D593,838	S *	6/2009	Williams	D8/99
D677,551	S *	3/2013	Pelton	B26B 11/006 D8/99
D697,780	S *	1/2014	Pelton	D8/99
D737,110	S *	8/2015	Schuft	D8/99
D768,458	S *	10/2016	Mingyi	D8/99
D789,763	S *	6/2017	Squiers	D8/99
9,737,997	B1	8/2017	Marfione et al.	
D801,775	S *	11/2017	Tsujimoto	D8/99
D848,812	S *	5/2019	Bloch	D8/99
D863,927	S *	10/2019	Chalfant	D8/99
D863,929	S *	10/2019	Chalfant	D8/99

Connelley, Larry, "Benchmade Axis Lock—Knife Lock Mechanism Explained", "Retrieved from <https://www.knifeart.com/benchmade-axis-lock.html>", 2016, p. 2 Published in: US.

Carl Kammerling International Ltd., "Folding Utility Knife", "Retrieved from http://www.ck-tools.com/products/ck_tools/sawing_cutting/trimming_knives/folding_utility_knife/", Known to exist as early as Dec. 4, 2018, p. 1.

Coast Products, Inc., "DX311", "Retrieved from <https://coastportland.com/product/dx311/>", Known to exist as early as Dec. 4, 2018, p. 2.

Columbia River Knife and Tool, "Homefront", "Retrieved from <https://www.crkt.com/homefront.html>", Known to exist as early as Dec. 4, 2018, p. 3, Published in: US.

Sog Specialty Knives & Tools, LLC, "Flash II Black Serrated", "Retrieved from <https://www.sogknives.com/type/knives/flash-ii-partially-serrated-black-tini-clam-pack.html>", Known to exist as early as Dec. 4, 2018, p. 5.

Sog Specialty Knives & Tools, LLC, "Kiku Assisted Satin", "Retrieved from <https://www.sogknives.com/type/knives/kiku-assisted-satin.html>", Known to exist as early as Dec. 4, 2018, p. 4.

* cited by examiner

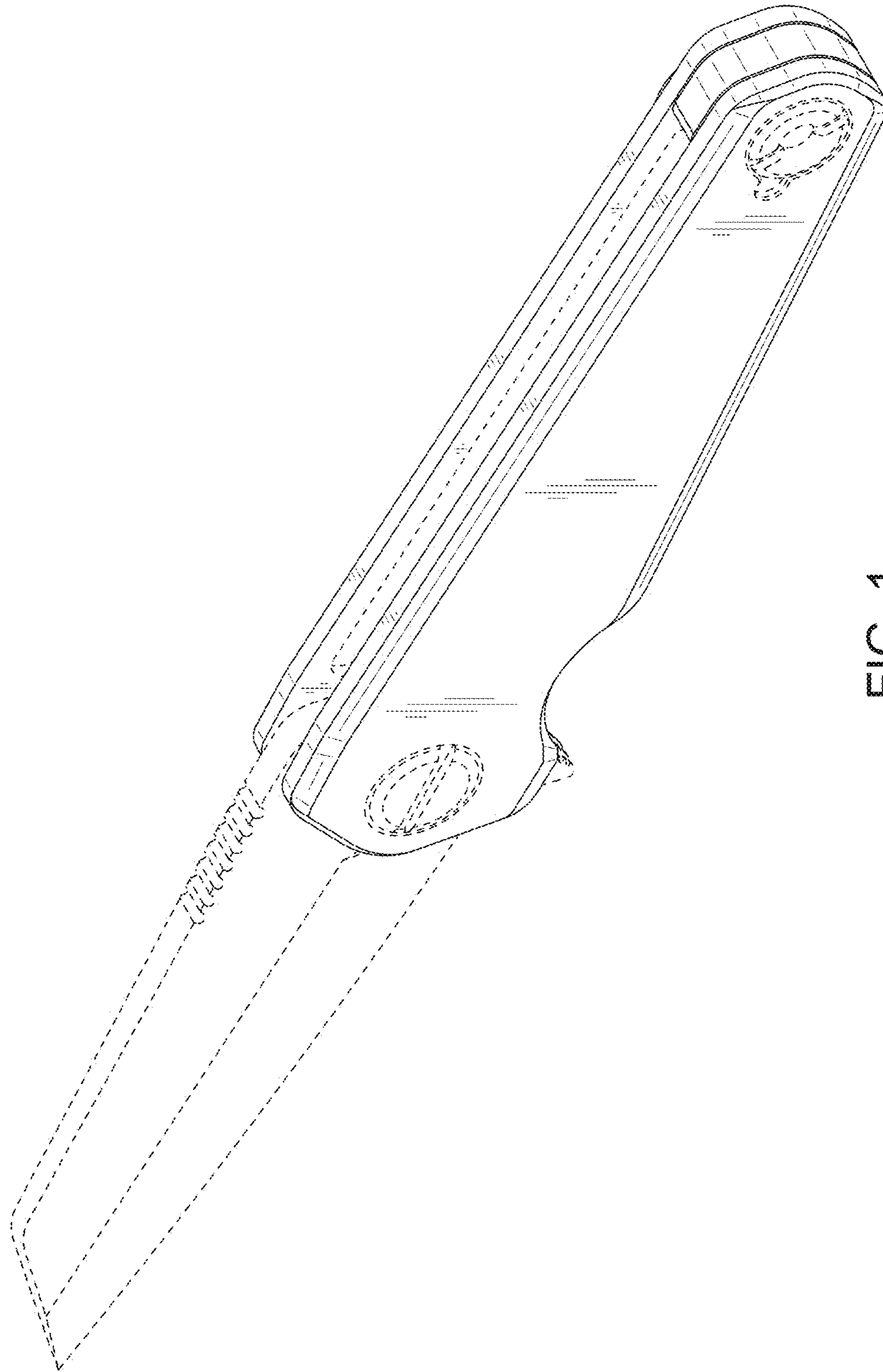


FIG. 1

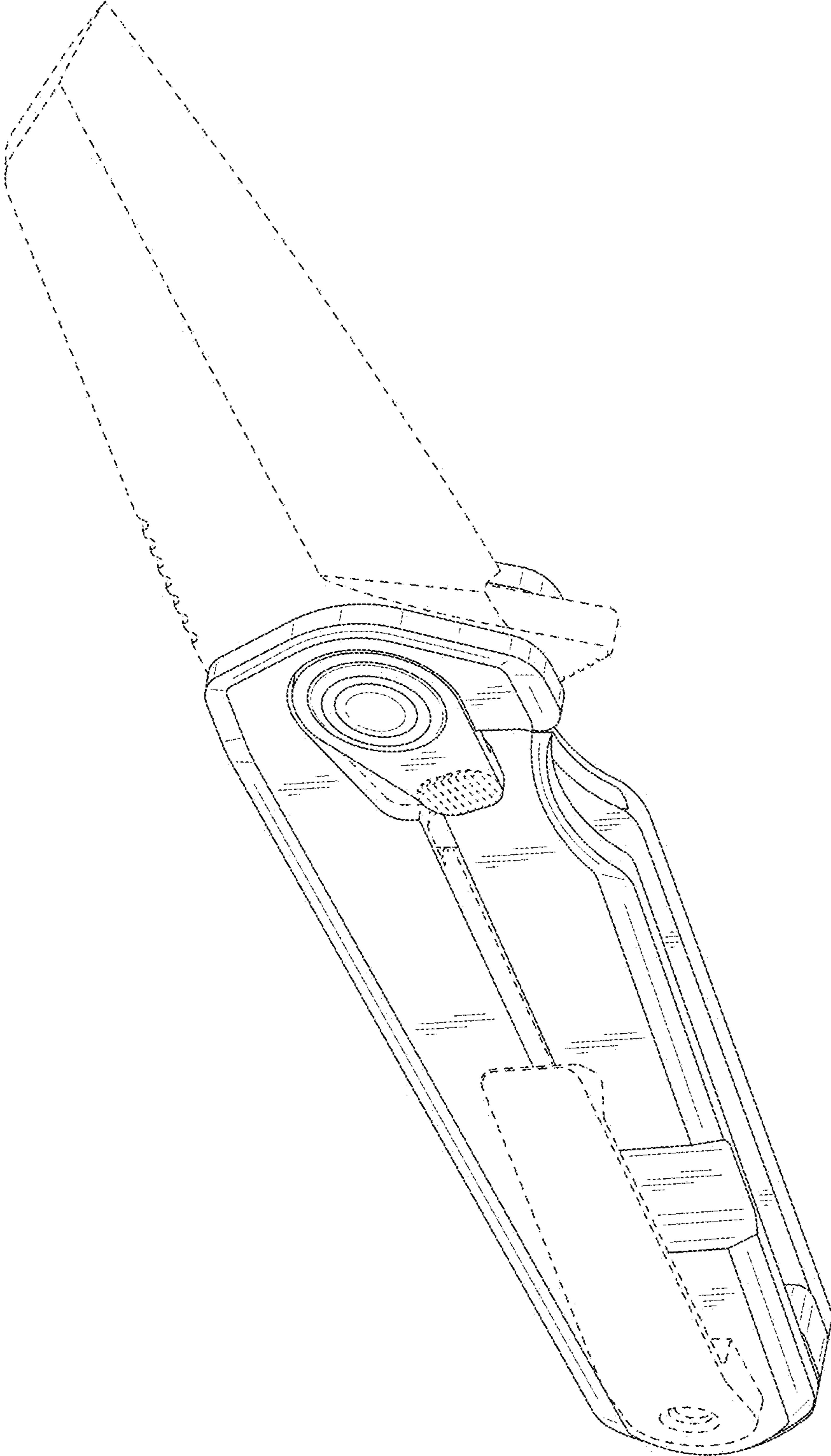


FIG. 2

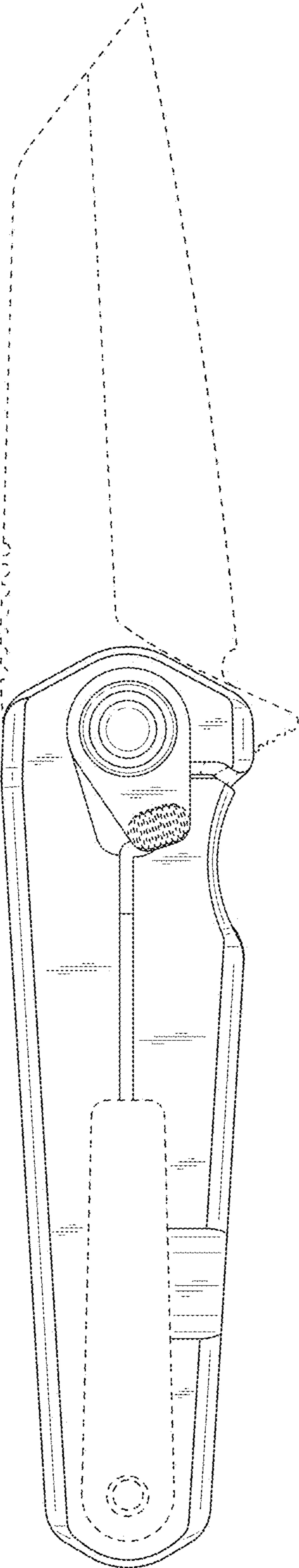


FIG. 3

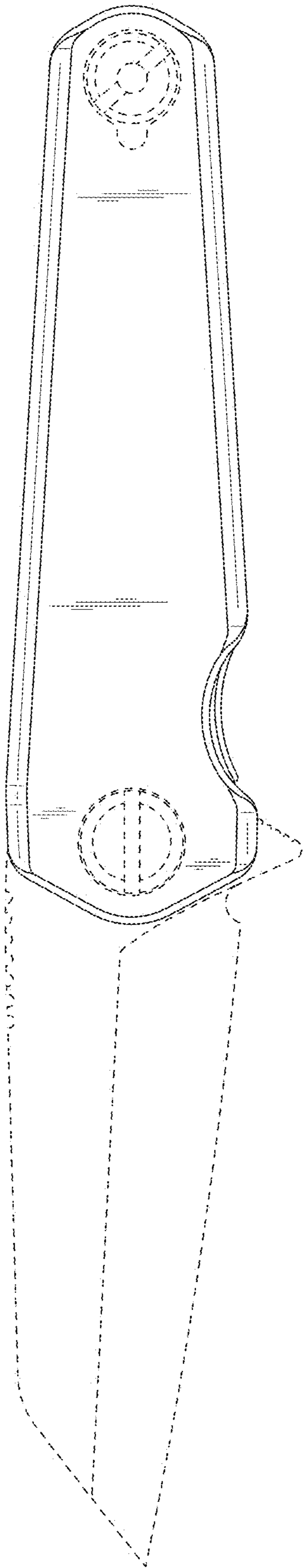


FIG. 4

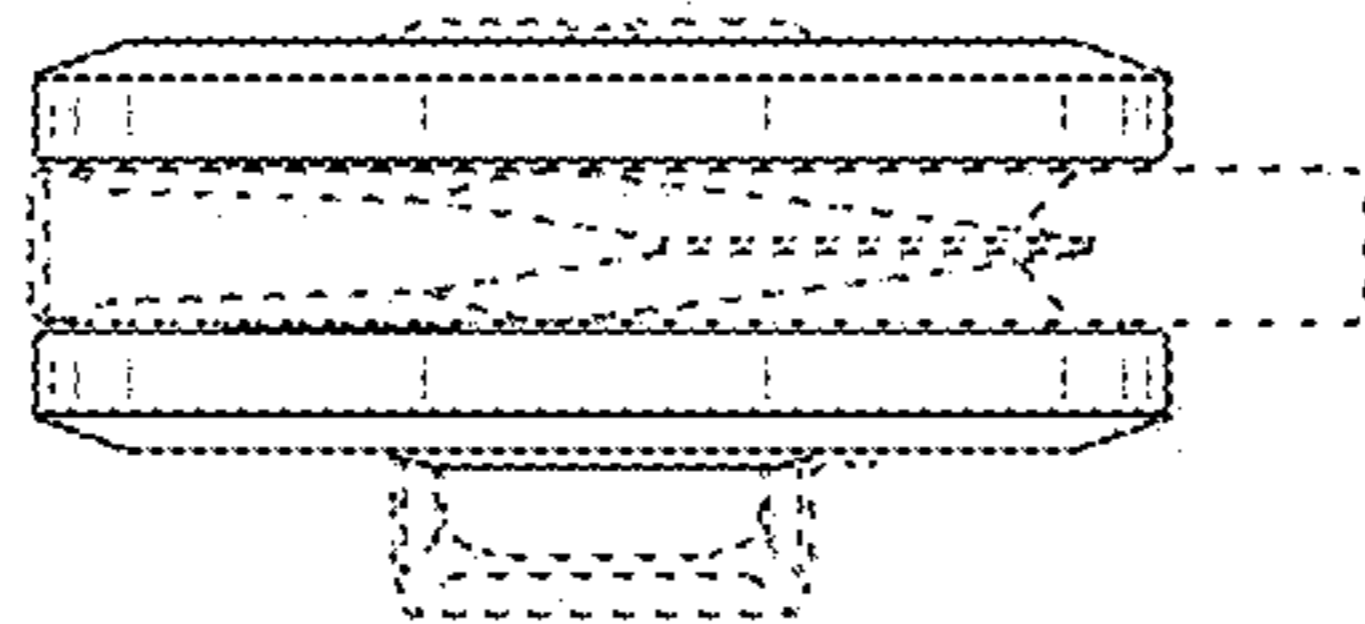


FIG. 5

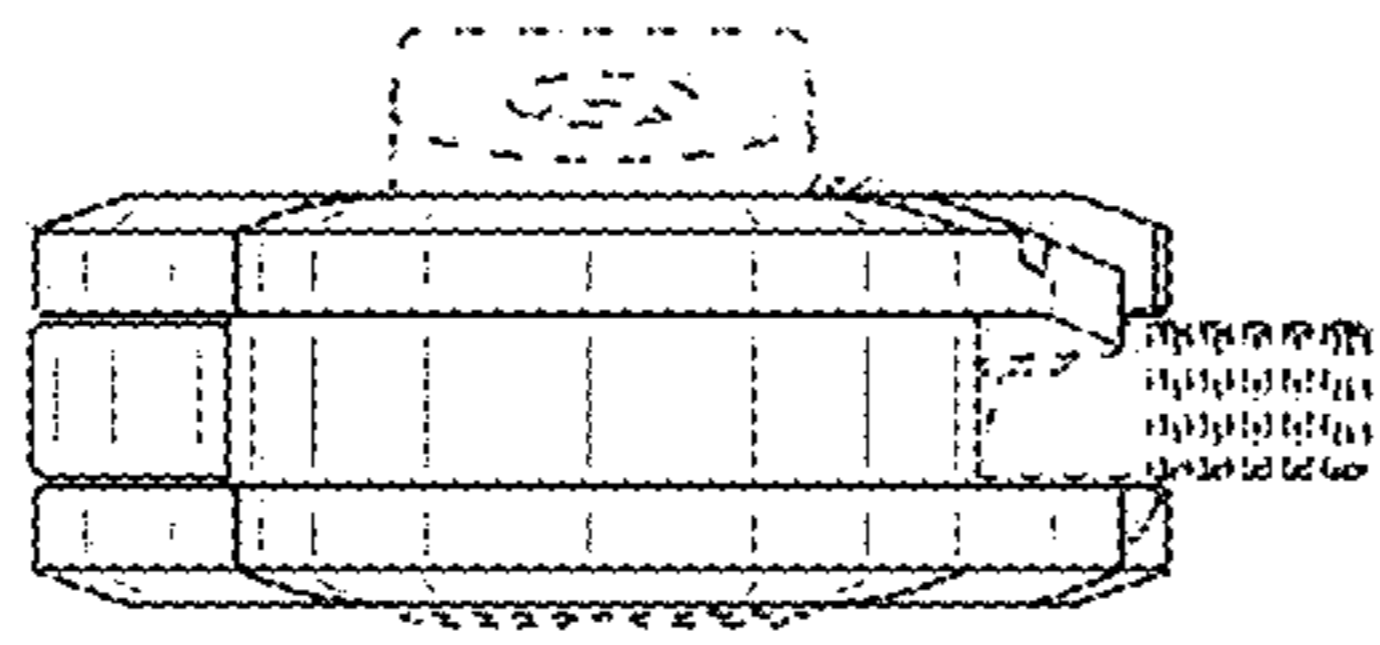


FIG. 6

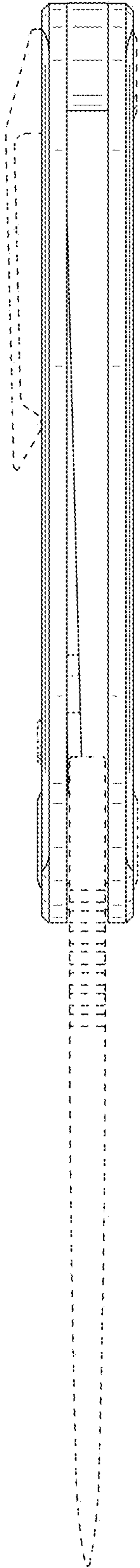


FIG. 7

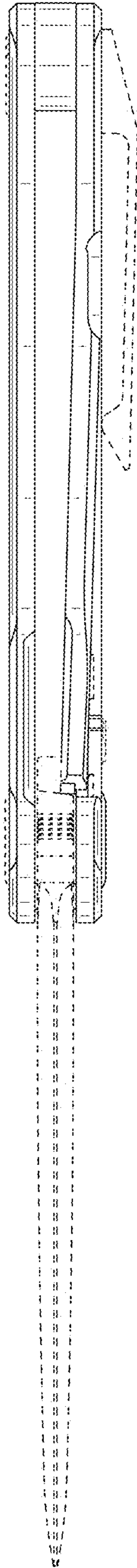


FIG. 8

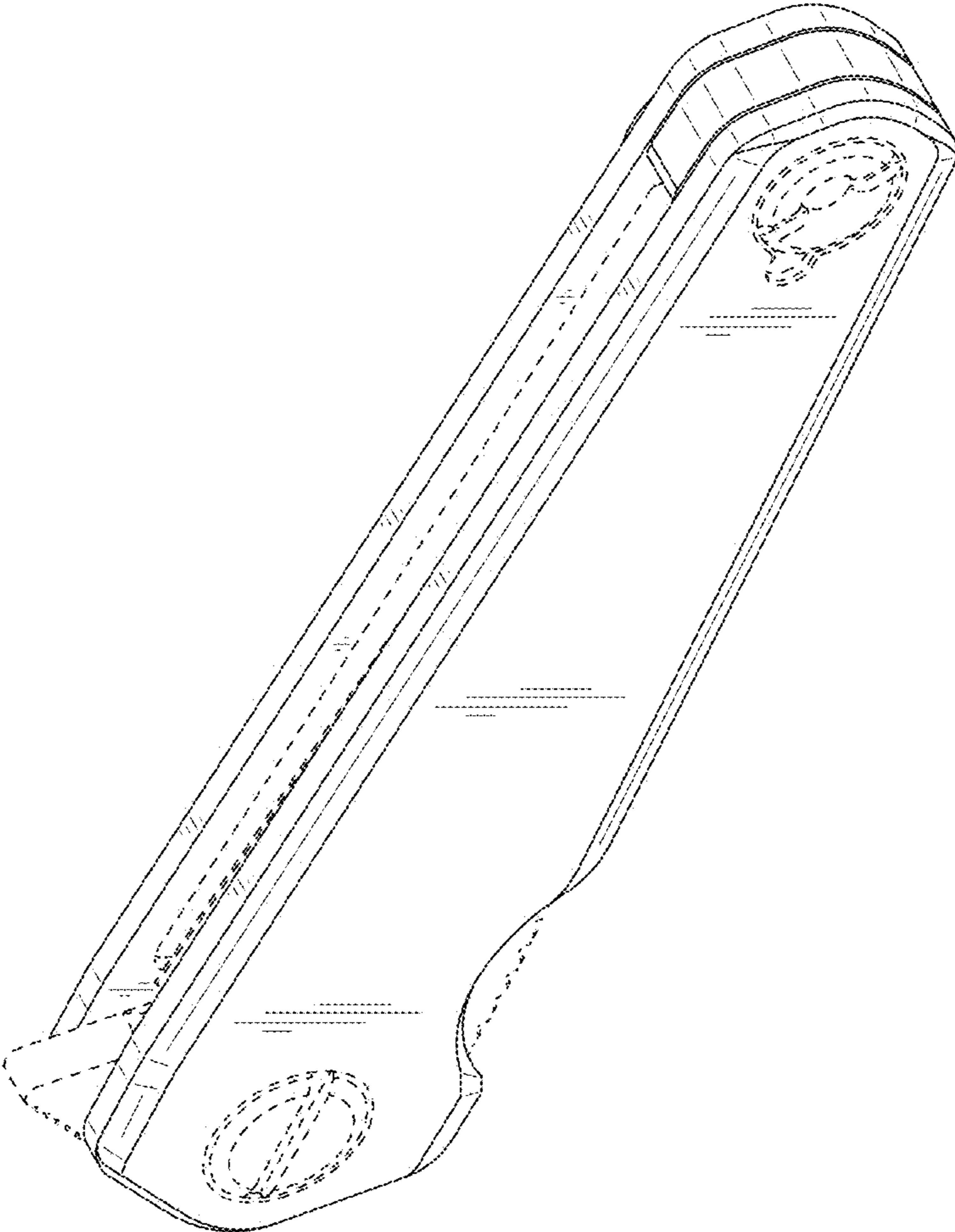


FIG. 9

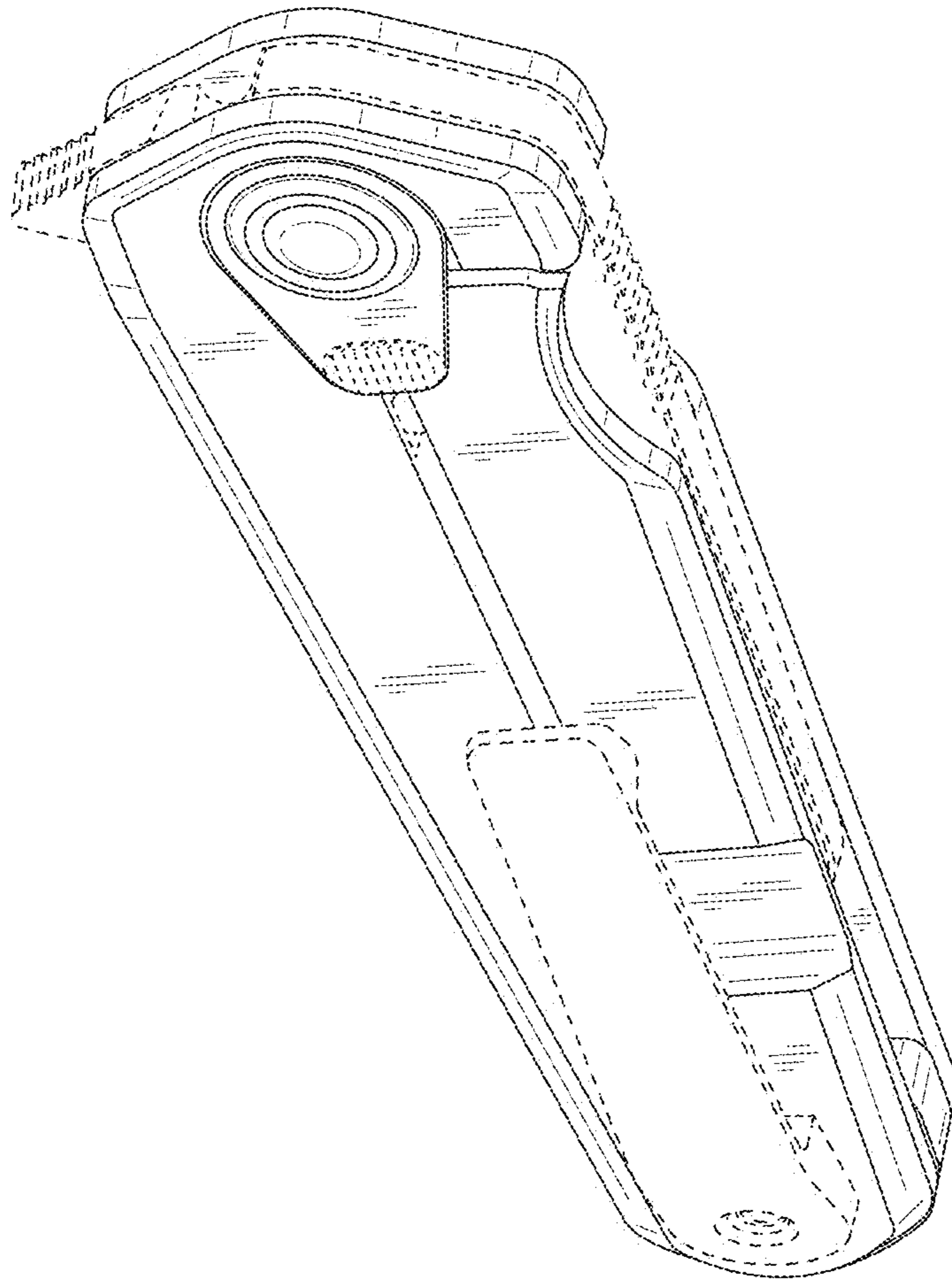


FIG. 10

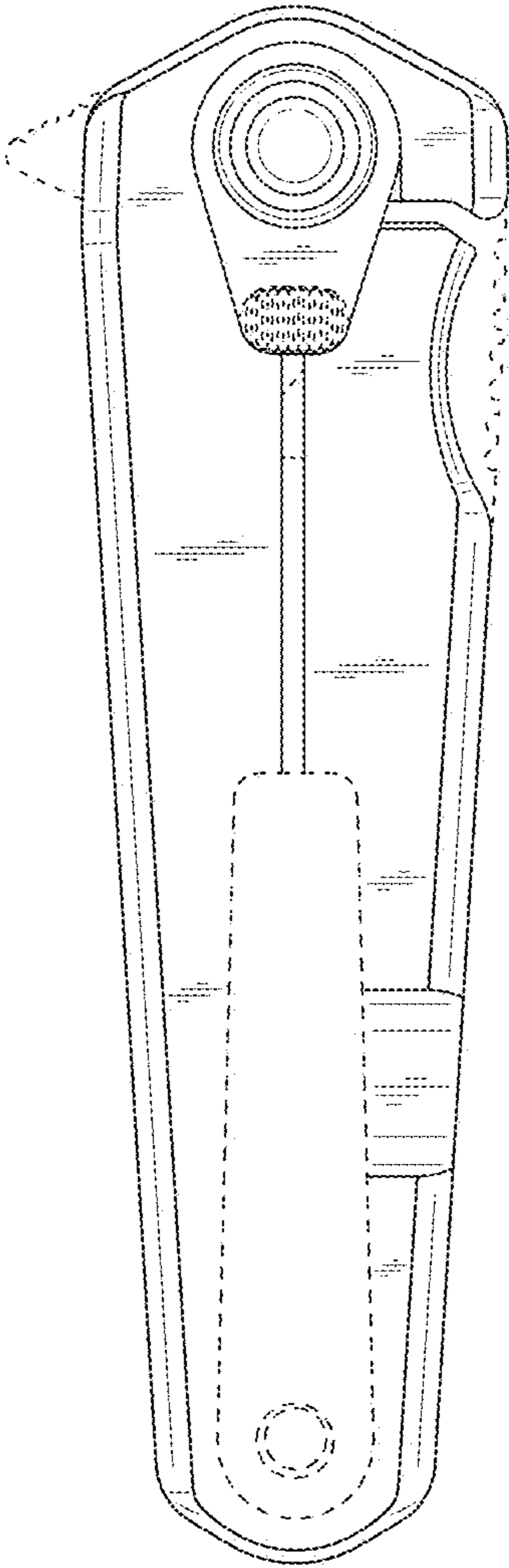


FIG. 11

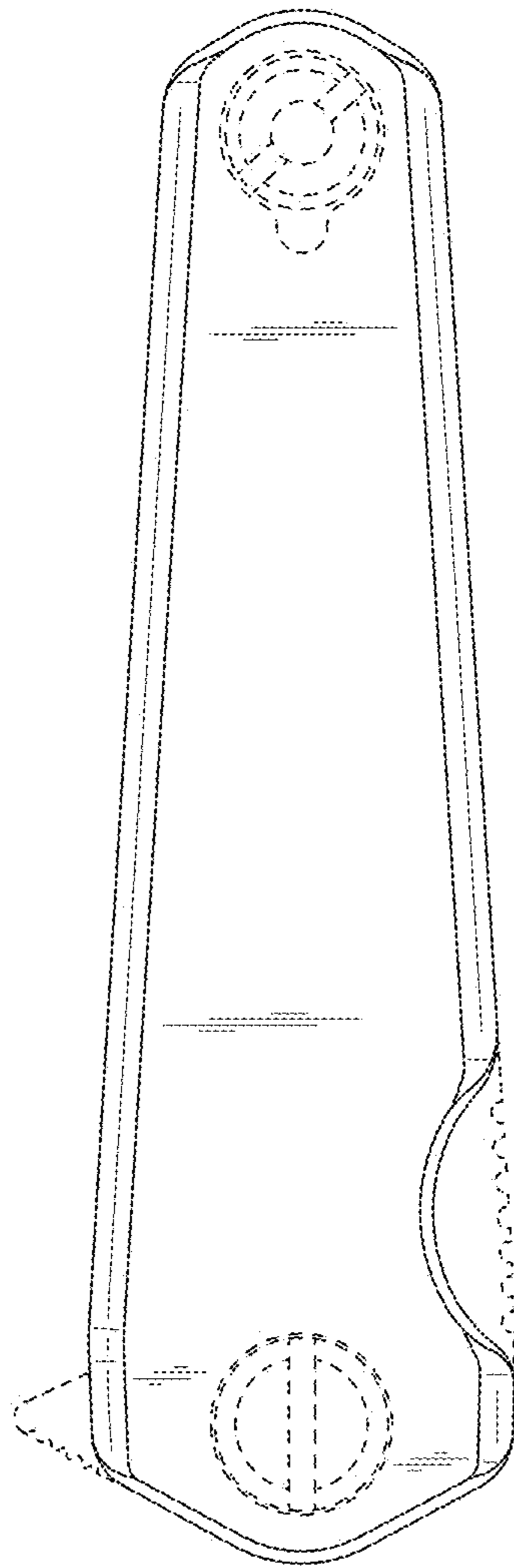


FIG. 12

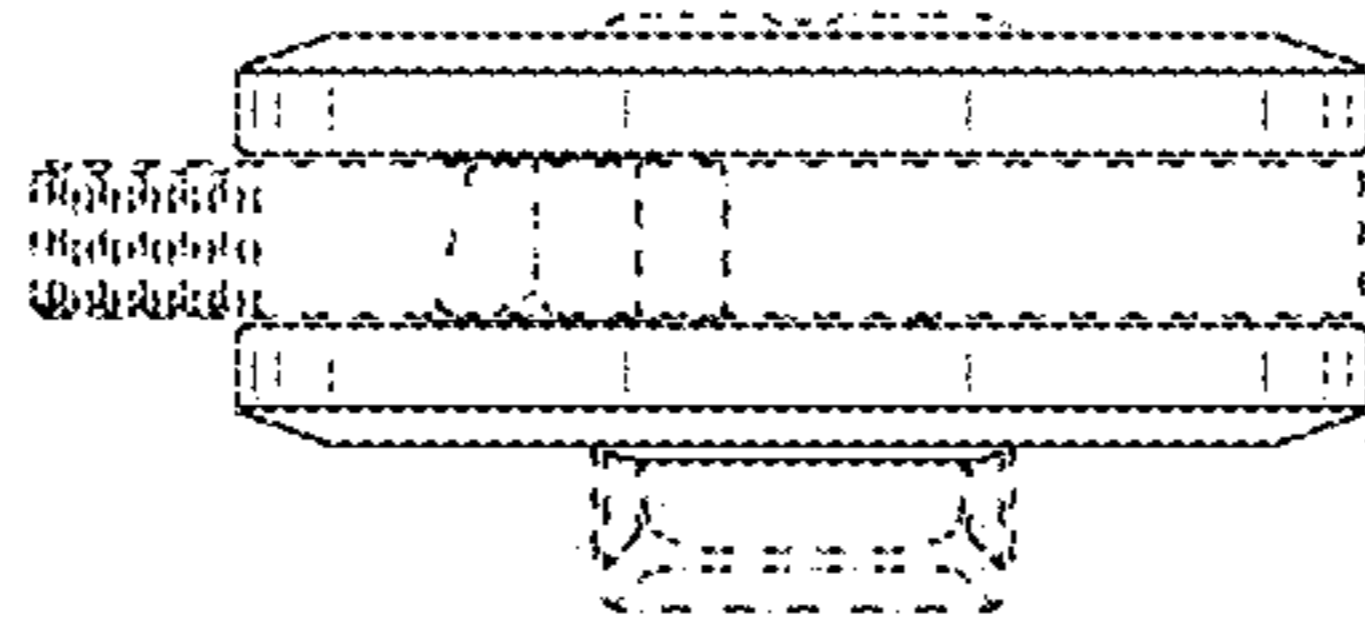


FIG. 13

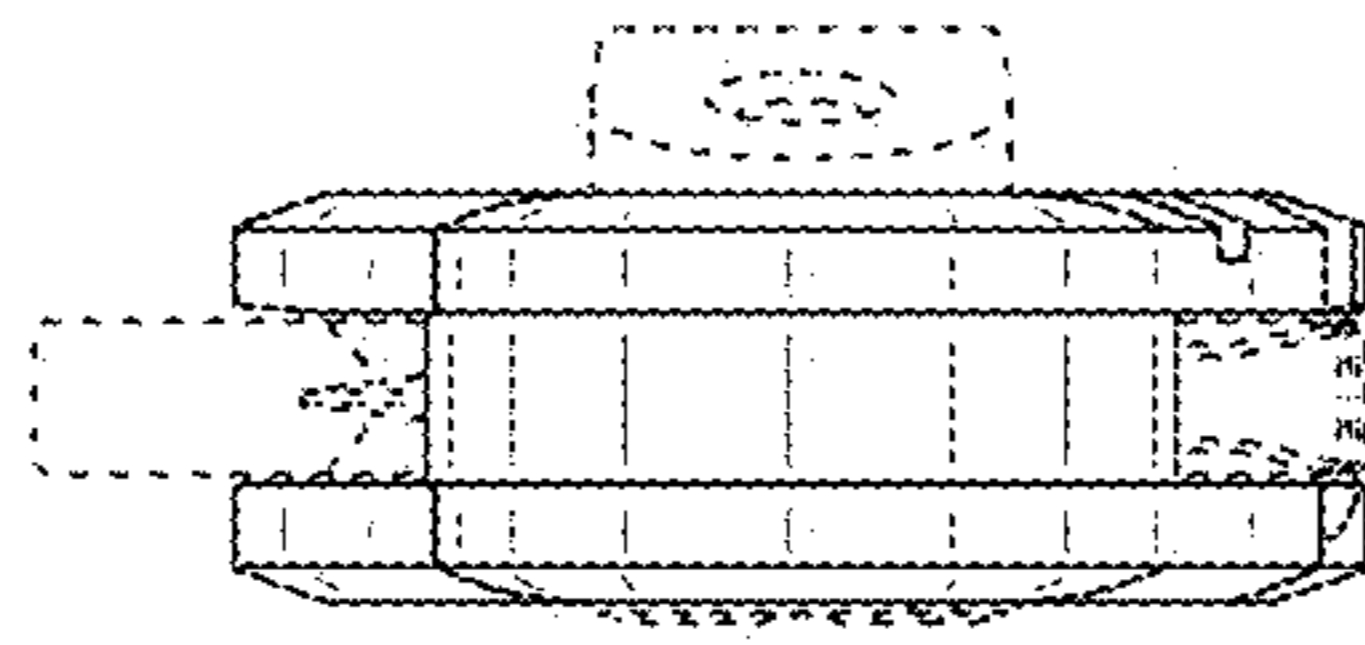


FIG. 14

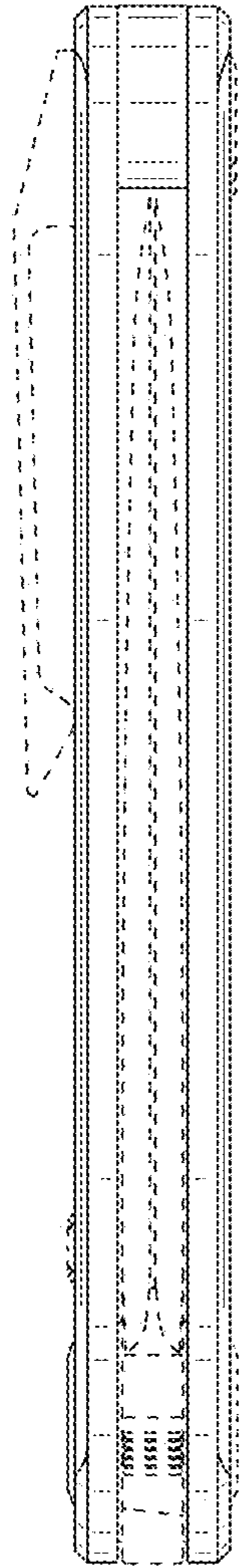


FIG. 15

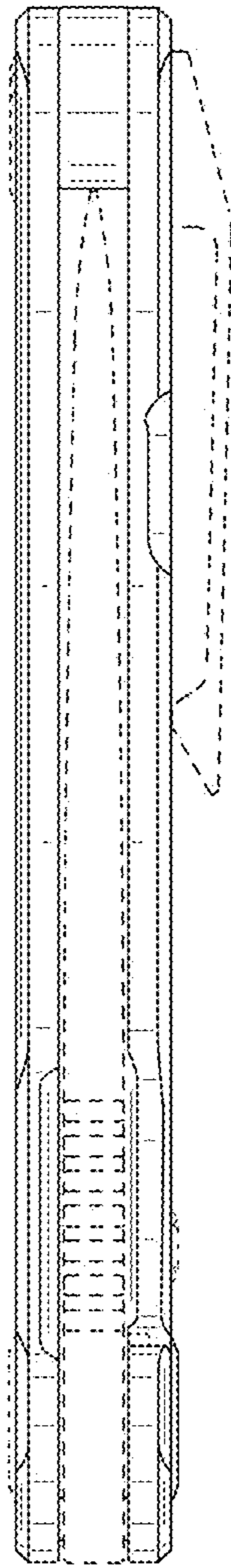


FIG. 16