



US00D892588S

(12) **United States Design Patent** (10) **Patent No.:** **US D892,588 S**
Chen (45) **Date of Patent:** **** Aug. 11, 2020**

(54) **HAND TOOL HANDLE**
(71) Applicant: **LUCKY-BRAND INDUSTRIAL CO., LTD.**, Taichung (TW)
(72) Inventor: **Ying-Chieh Chen**, Taichung (TW)
(73) Assignee: **LUCKY-BRAND INDUSTRIAL CO., LTD.**, Taichung (TW)

D494,444 S *	8/2004	Hung	D8/107
D519,017 S *	4/2006	Hsieh	D8/80
D525,511 S *	7/2006	Hung	D8/107
D534,410 S *	1/2007	Chen	D8/107
D559,552 S *	1/2008	Orgna	D5/53
D656,378 S *	3/2012	Islas	D8/80
D656,809 S *	4/2012	Mullen	D8/107
D660,123 S *	5/2012	Islas	D8/80
D781,679 S *	3/2017	Chen	D8/80
D809,364 S *	2/2018	Nelson	D8/80
D826,024 S *	8/2018	Yu	D8/75

(**) Term: **15 Years**

* cited by examiner

(21) Appl. No.: **29/650,854**

Primary Examiner — Philip S Hyder

(22) Filed: **Jun. 11, 2018**

(74) *Attorney, Agent, or Firm* — Muncy, Geissler, Olds & Lowe, P.C.

(30) **Foreign Application Priority Data**

May 15, 2018 (TW) 107302714

(51) **LOC (12) Cl.** **08-02**

(52) **U.S. Cl.**
USPC **D8/80**

(58) **Field of Classification Search**
USPC D8/75, 76, 77, 78, 79, 80, 107, 300, 303
CPC .. B25D 1/00; B25D 1/04; B26B 23/00; B25G 1/00; B25G 3/10; B25F 1/006; B25F 1/00; B25F 1/02

See application file for complete search history.

(56) **References Cited**

U.S. PATENT DOCUMENTS

D427,297 S *	6/2000	Pena	D8/307
D432,381 S *	10/2000	Khachatoorian	D8/107
D470,380 S *	2/2003	Huang	D8/75
D478,492 S *	8/2003	Levine	D8/80
D481,292 S *	10/2003	Chen	D8/107

(57) **CLAIM**

The ornamental design for a hand tool handle, as shown and described.

DESCRIPTION

FIG. 1 is a perspective view of a hand tool handle showing my new design;

FIG. 2 is a front view of the hand tool handle;

FIG. 3 is a rear view of the hand tool handle;

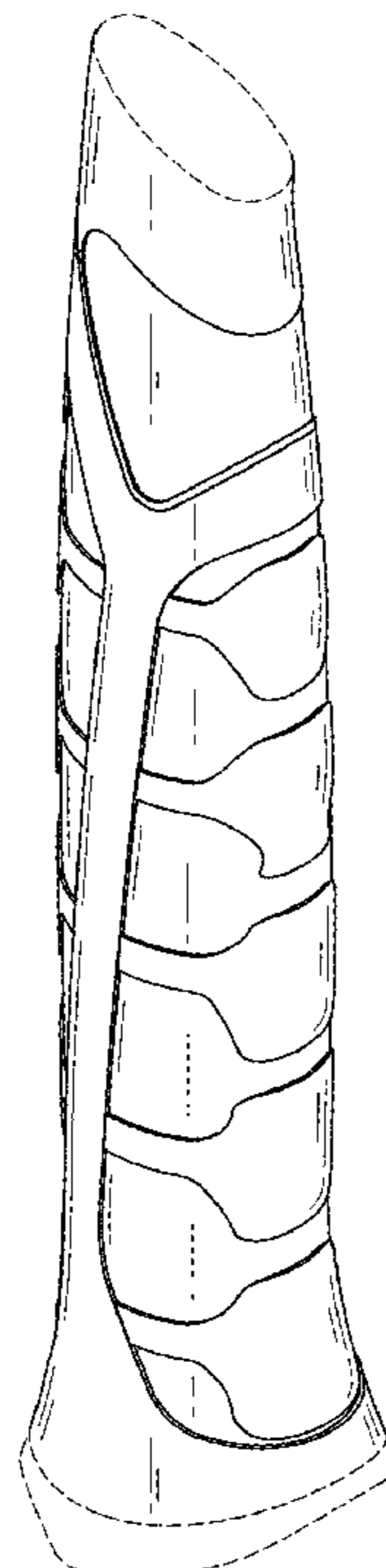
FIG. 4 is a left side view of the hand tool handle;

FIG. 5 is a right side view of the hand tool handle; and,

FIG. 6 is a schematic drawing showing that the hand tool handle of the present design is mounted with a hammer head.

The broken line showing of the head is provided for purposes of environment and forms no part of the claimed design.

1 Claim, 4 Drawing Sheets



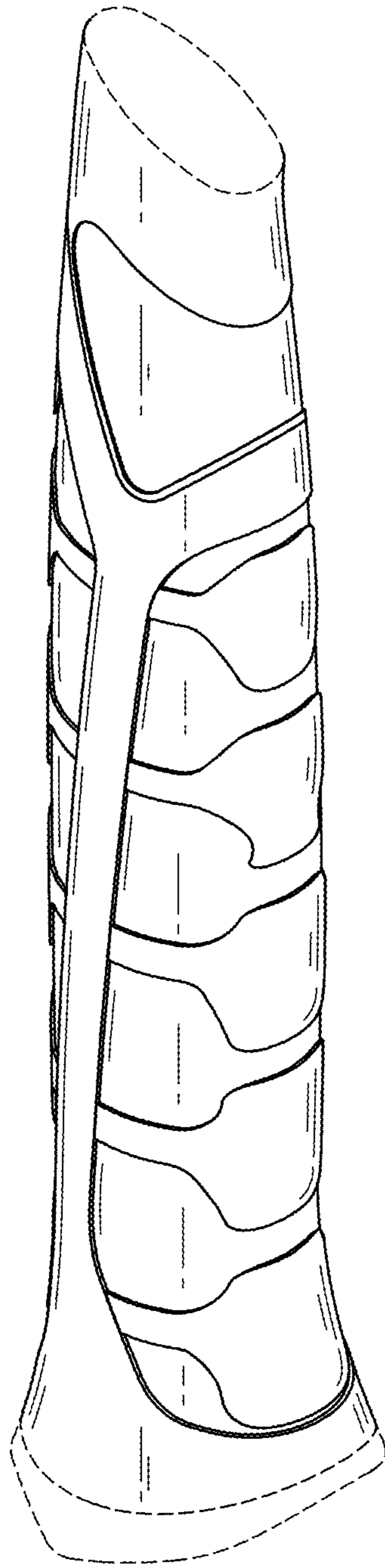


FIG. 1

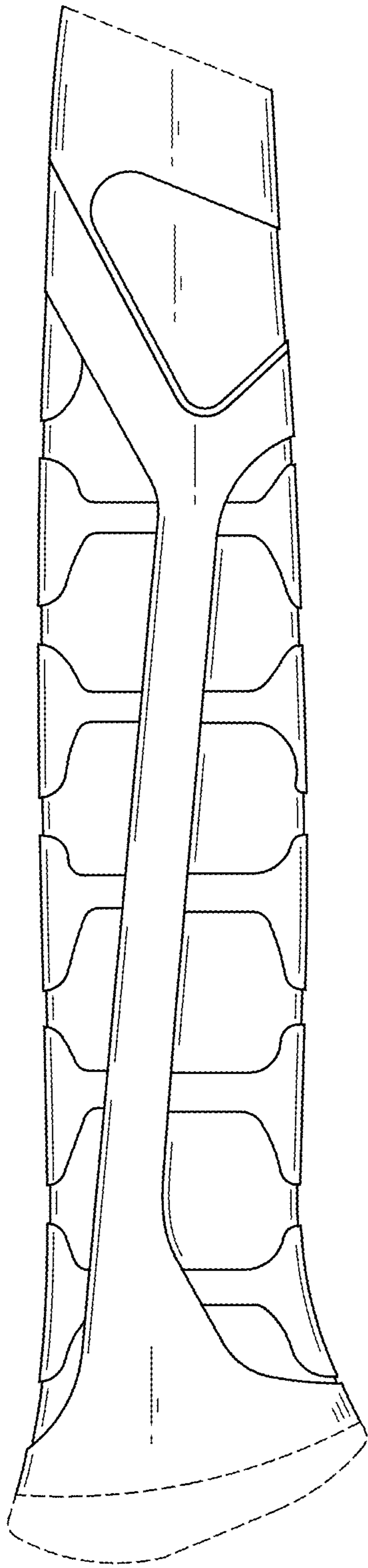


FIG. 2

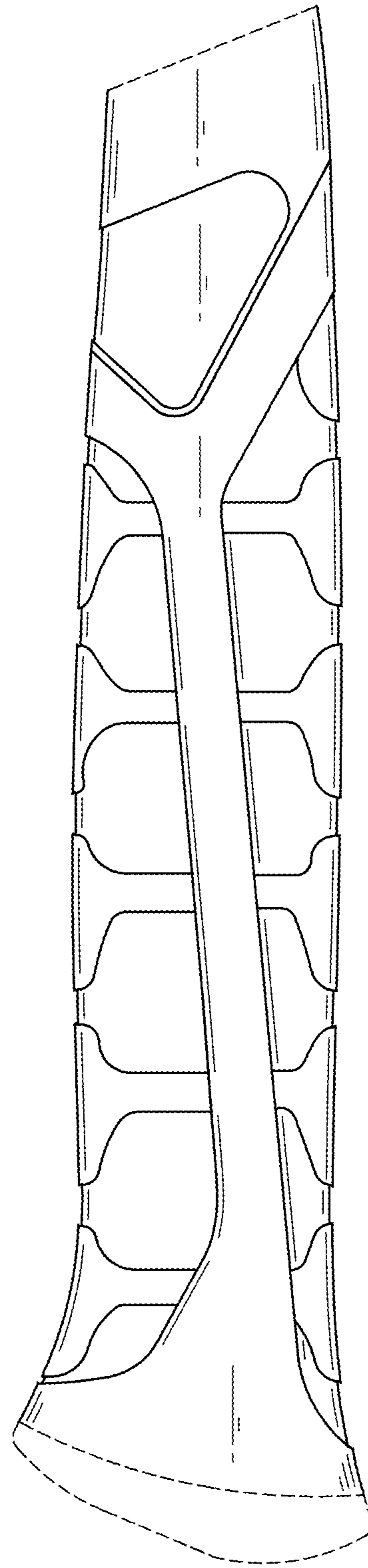


FIG. 3

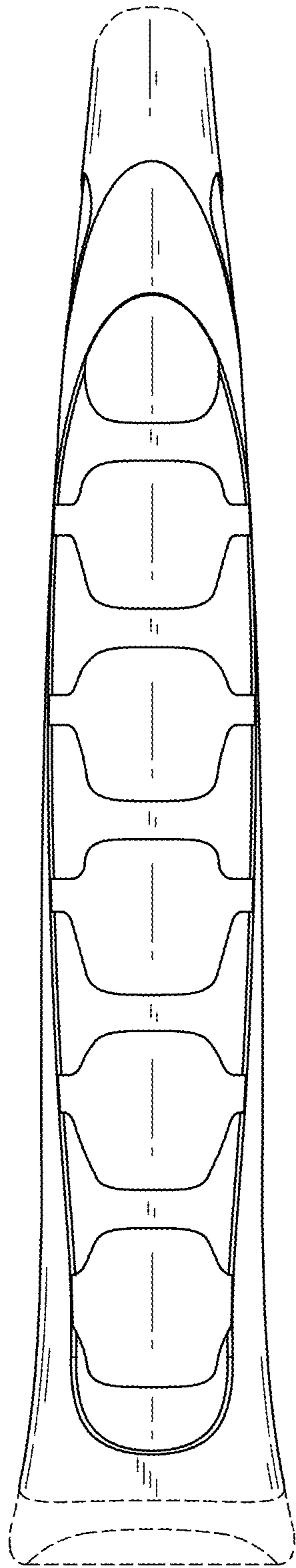


FIG. 4

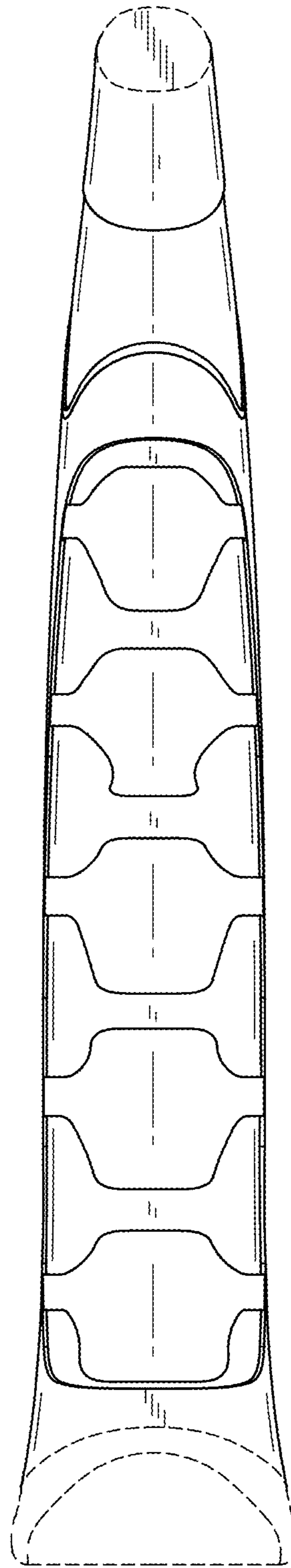


FIG. 5

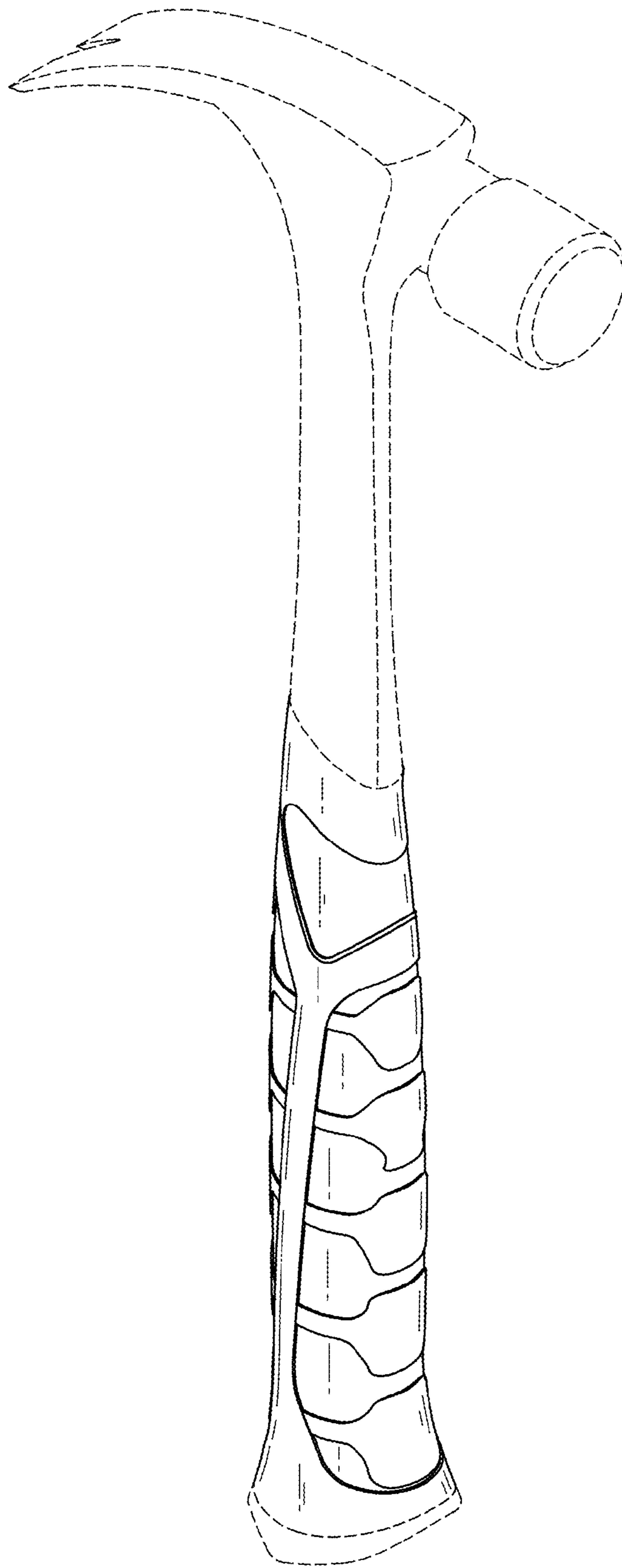


FIG. 6