



US00D892584S

(12) **United States Design Patent**
Matteo

(10) **Patent No.:** **US D892,584 S**

(45) **Date of Patent:** **** Aug. 11, 2020**

(54) **ANGLE GRINDER**

(71) Applicant: **Harbor Freight Tools USA, Inc.**,
Calabasas, CA (US)

(72) Inventor: **Michael Matteo**, Los Angeles, CA (US)

(73) Assignee: **Harbor Freight Tools USA, INC.**,
Calabasas, CA (US)

(**) Term: **15 Years**

(21) Appl. No.: **29/688,124**

(22) Filed: **Apr. 18, 2019**

(51) **LOC (12) Cl.** **08-03**

(52) **U.S. Cl.**
USPC **D8/62**

(58) **Field of Classification Search**
USPC D8/69, 68, 67, 66, 64, 61, 70; 83/698.41,
83/747, 166.3, 374, 373, 375, 376, 391,
83/377, 390, 388, 389; 125/13.01;
144/218; D21/532

CPC B24B 23/028; B24B 47/12; B24B 7/186;
B25F 5/001; B25F 5/02

See application file for complete search history.

(56) **References Cited**

U.S. PATENT DOCUMENTS

D453,098 S	1/2002	Pretzell
D479,969 S	9/2003	Robson et al.
D491,033 S	6/2004	Bian
D522,827 S	6/2006	Corcoran
D528,389 S	9/2006	Wu
D540,638 S	4/2007	Concari
D544,325 S	6/2007	Wright
D567,610 S	4/2008	Wright

D593,826 S *	6/2009	Aglassinger	D8/62
D605,013 S *	12/2009	Kokawa	D8/62
D630,075 S *	1/2011	Wright	D8/62
D637,055 S *	5/2011	Schomisch	D8/62
D637,056 S *	5/2011	Schomisch	D8/62
D637,057 S *	5/2011	Schomisch	D8/62
8,087,977 B2	1/2012	Gallagher et al.		
D685,241 S *	7/2013	Waldron	D8/62
8,716,618 B2	5/2014	Gallagher, Sr. et al.		
D710,170 S	8/2014	Aglassinger		
D746,118 S *	12/2015	Xu	D8/62
D783,379 S *	4/2017	Takahashi	D8/62
D825,305 S *	8/2018	Tasic	D8/62

* cited by examiner

Primary Examiner — Austin Murphy

(74) *Attorney, Agent, or Firm* — McAndrews Held & Malloy, Ltd.

(57) **CLAIM**

The ornamental design for an angle grinder, as shown and described.

DESCRIPTION

FIG. 1 is a front-top perspective view of an angle grinder showing my new design;

FIG. 2 is a front elevation view thereof;

FIG. 3 is a rear elevation view thereof;

FIG. 4 is a right side elevation view thereof;

FIG. 5 is a left side elevation view thereof;

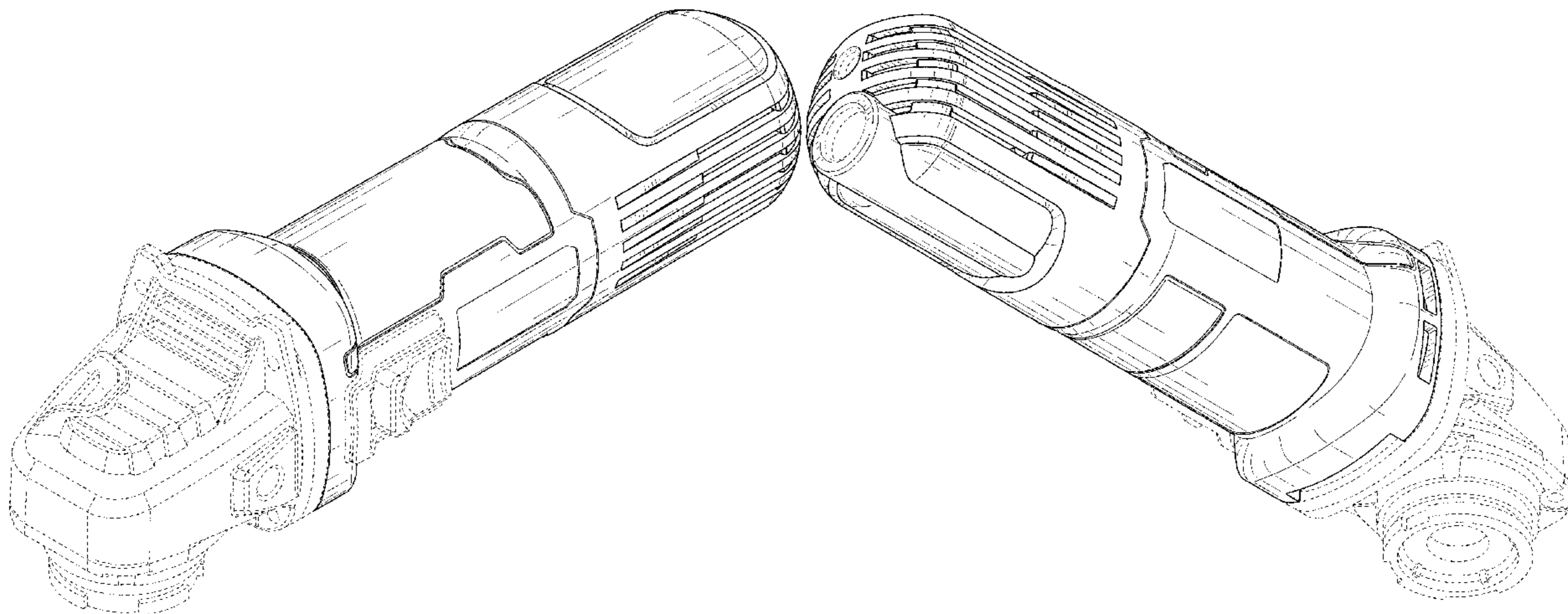
FIG. 6 is a top plan view thereof;

FIG. 7 is a bottom plan view thereof; and,

FIG. 8 is a rear-bottom perspective view thereof.

The dashed broken lines in the figures illustrate portions of the angle grinder that form no part of the claimed design.

1 Claim, 5 Drawing Sheets



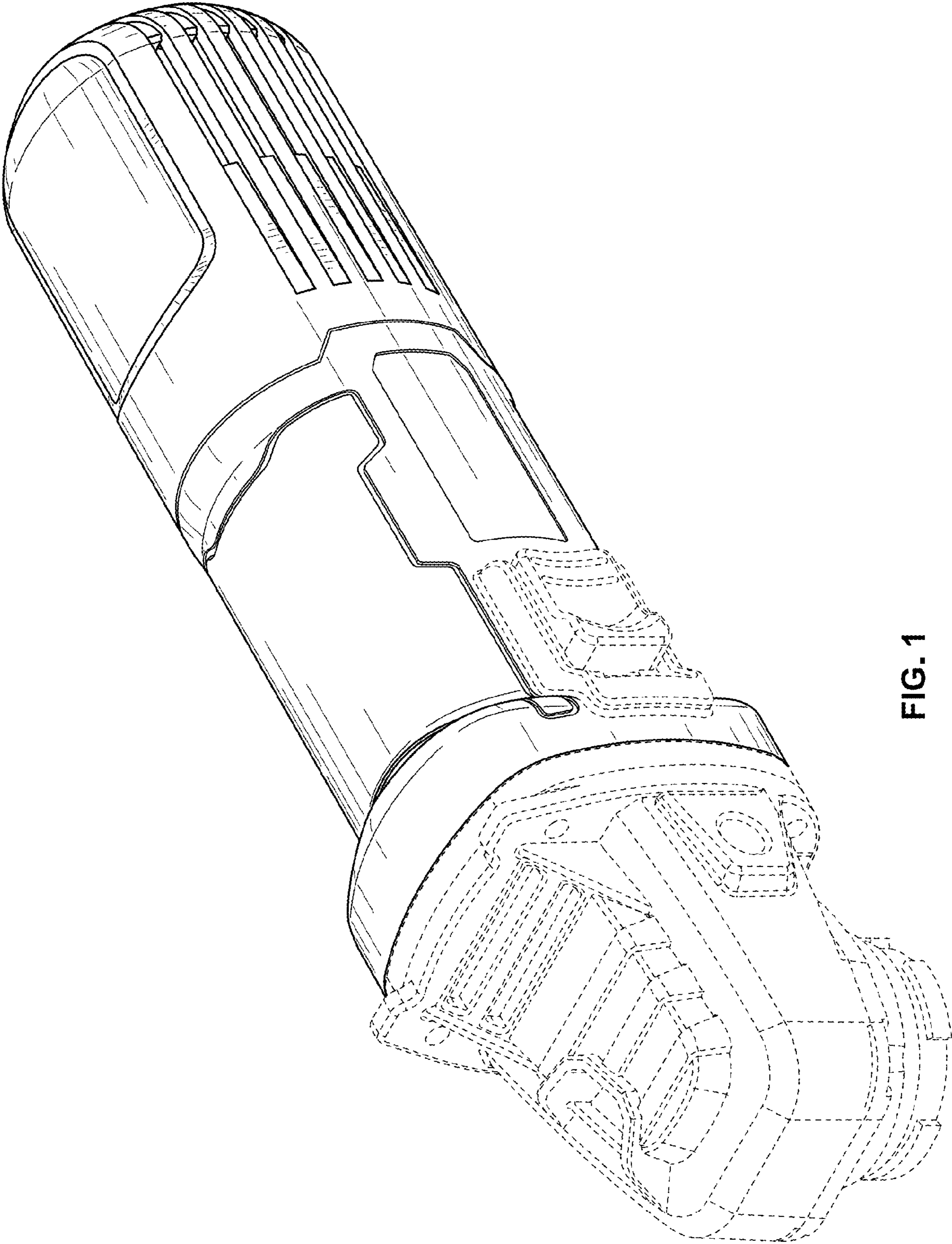


FIG. 1

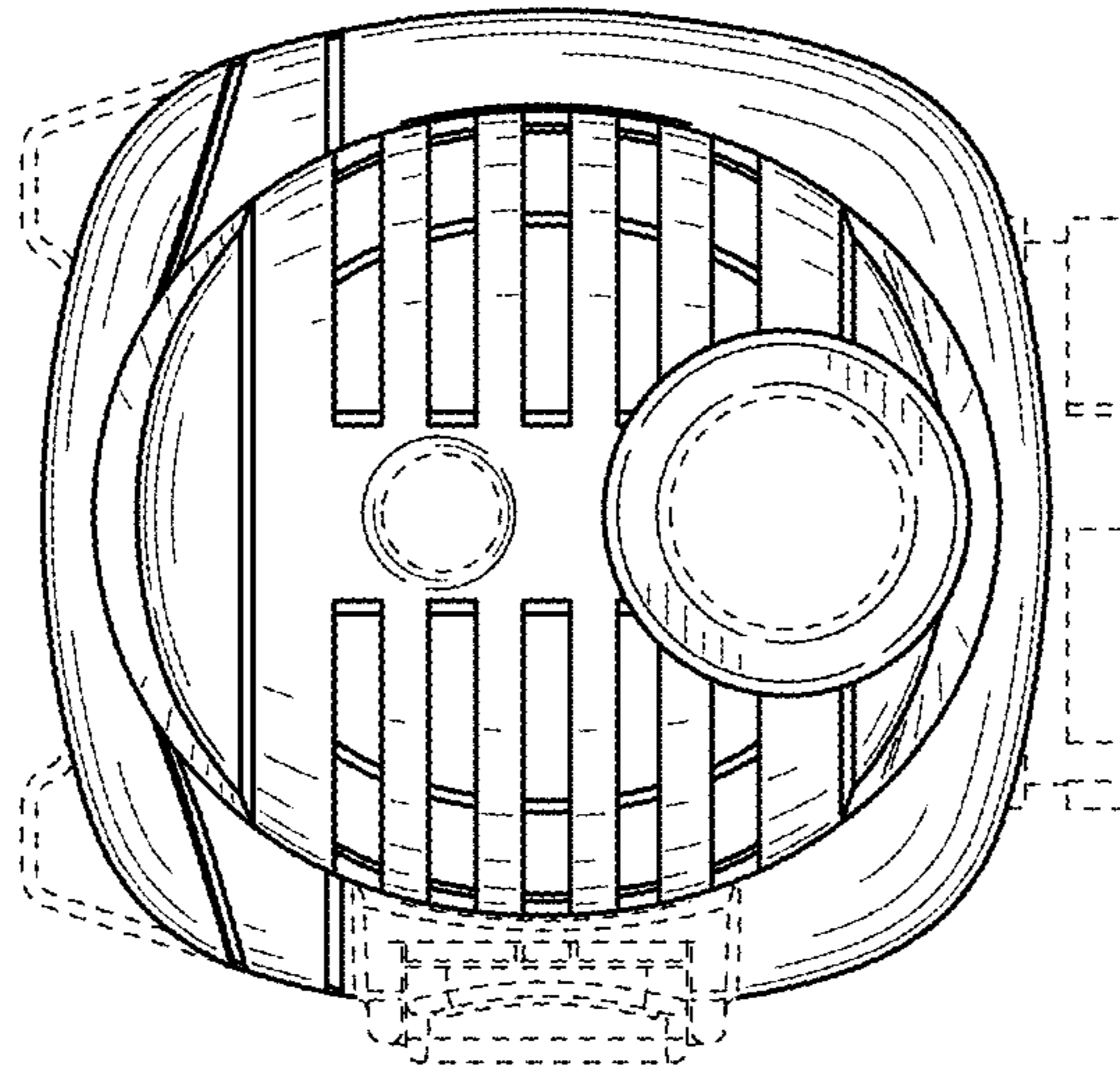


FIG. 3

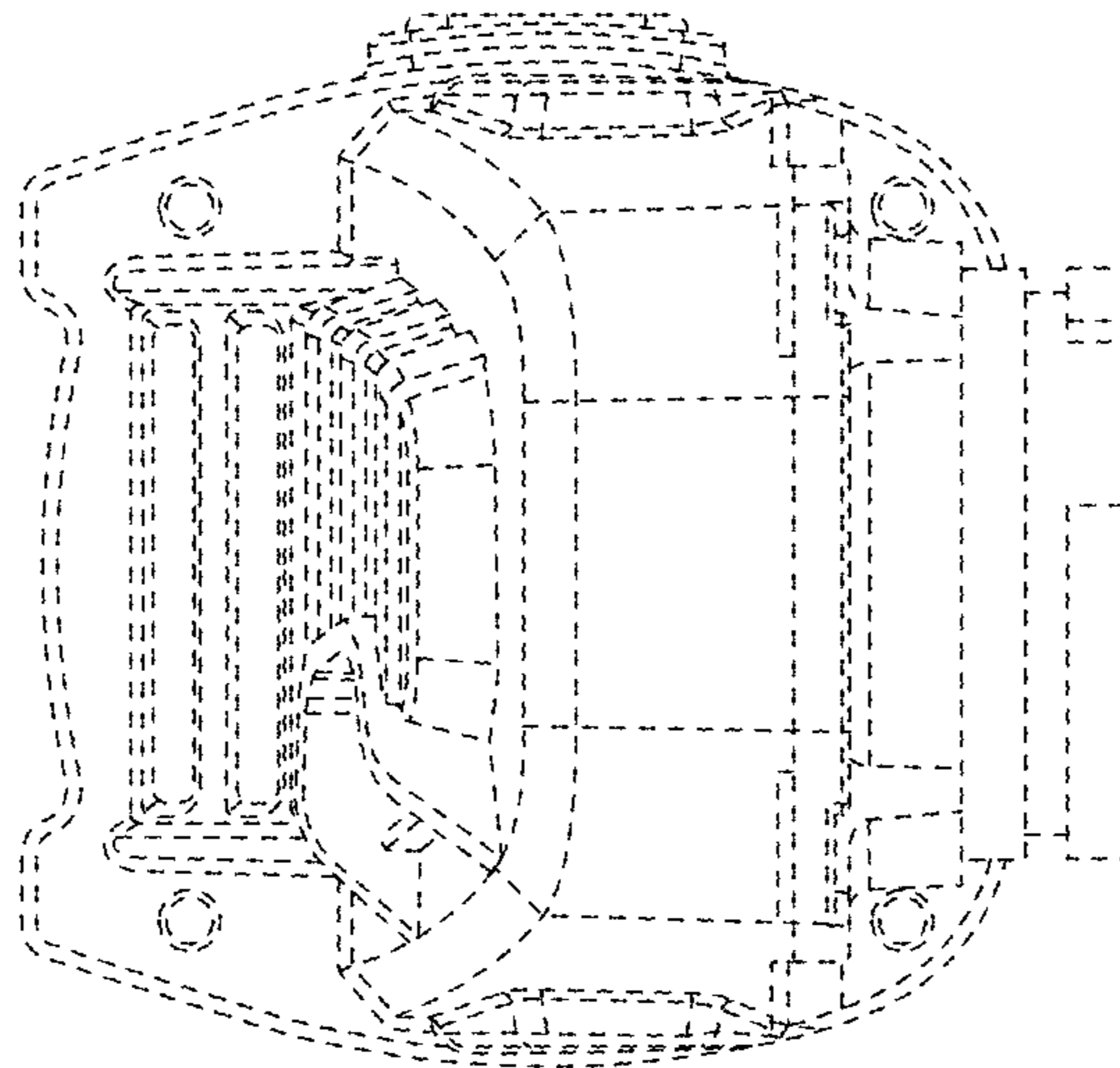


FIG. 2

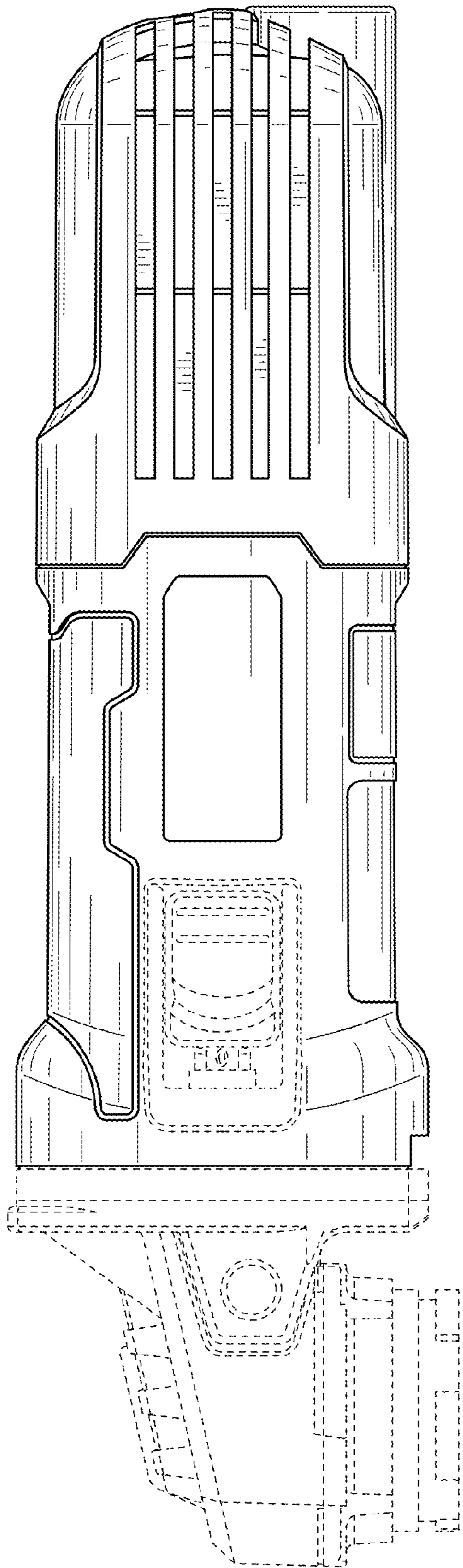


FIG. 4

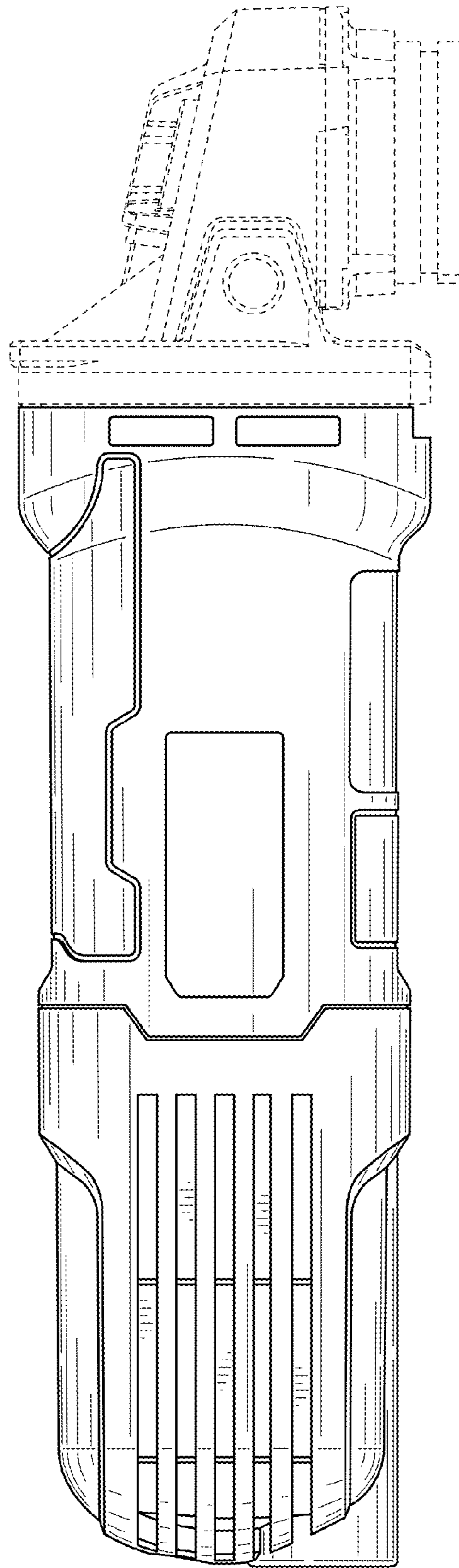


FIG. 5

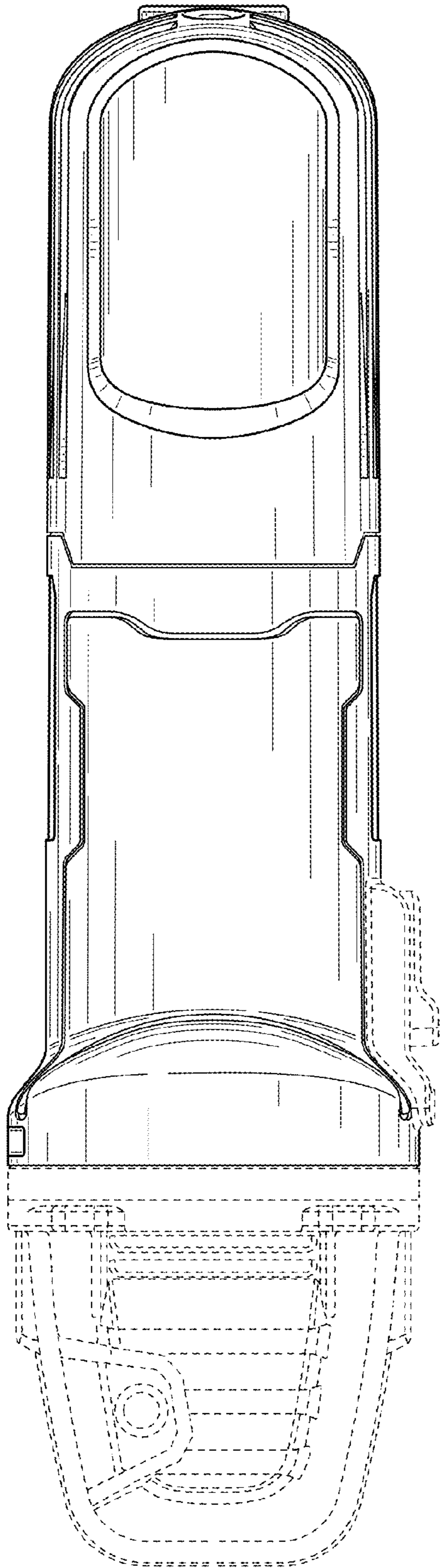


FIG. 6

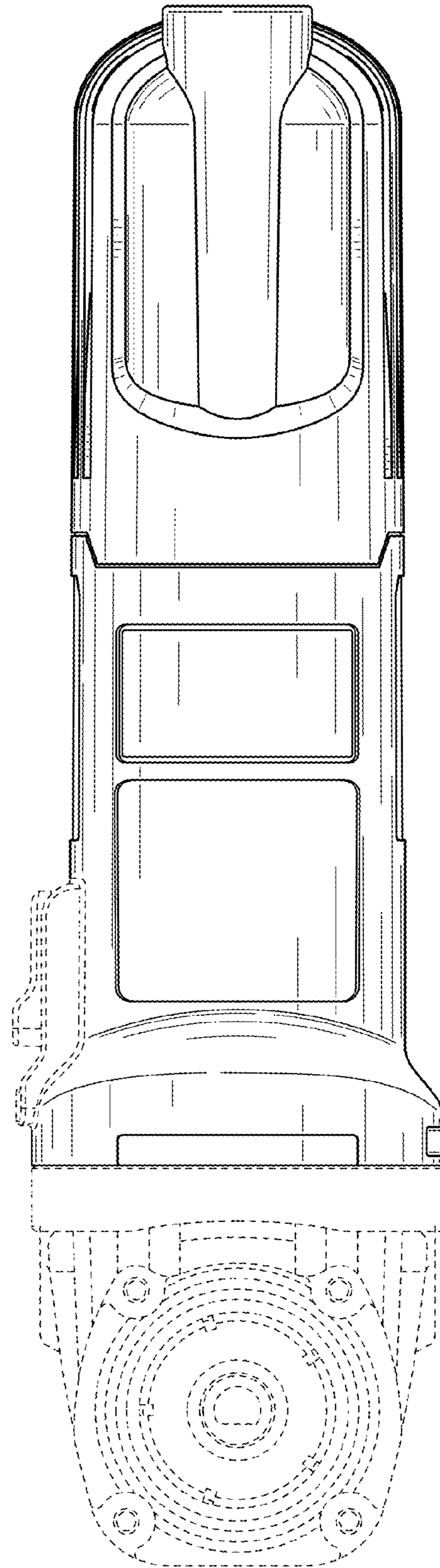


FIG. 7

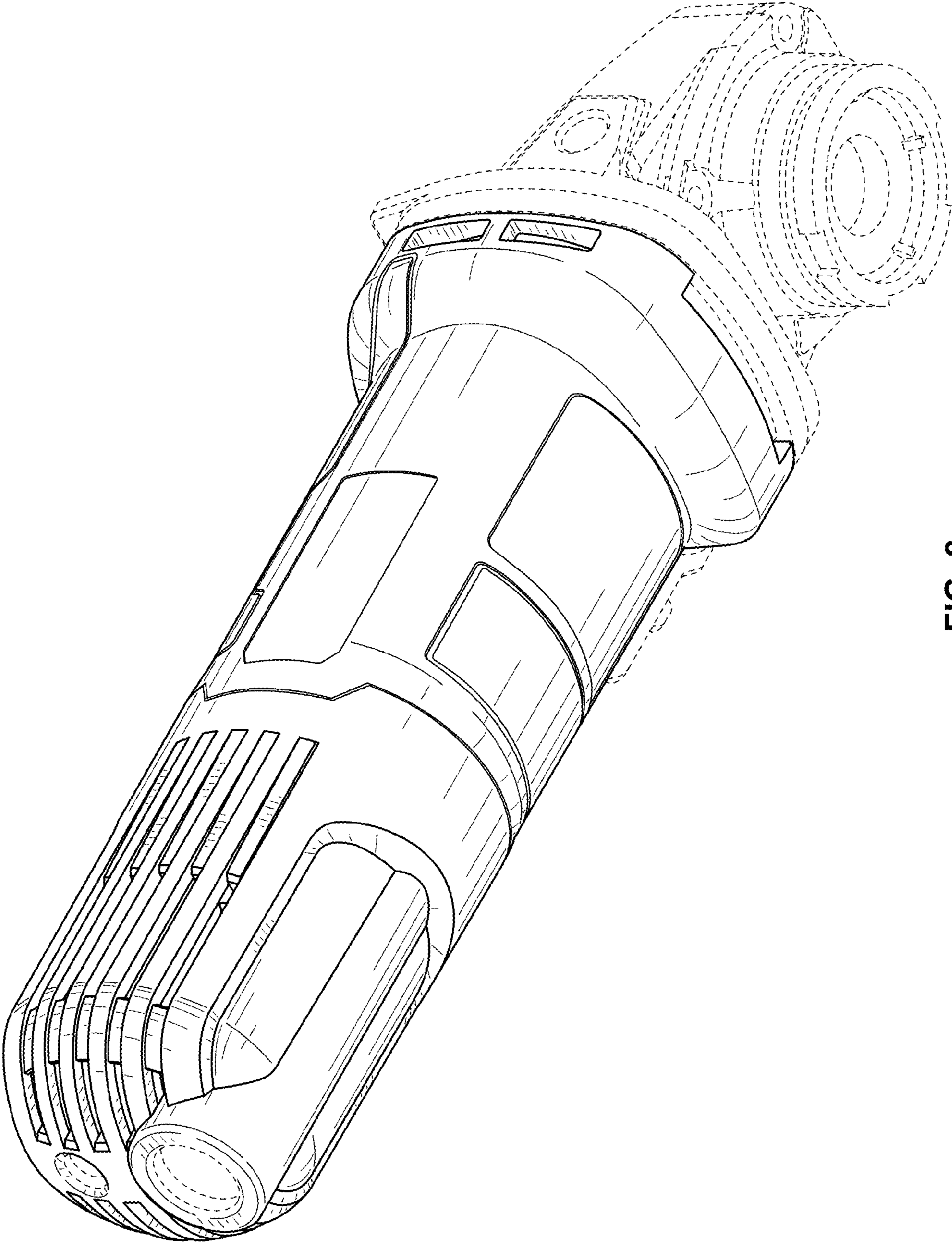


FIG. 8