

US00D892582S

(12) **United States Design Patent**  
**Doherty**

(10) **Patent No.: US D892,582 S**

(45) **Date of Patent: \*\* Aug. 11, 2020**

(54) **MANUAL MANHOLE COVER LIFTING TOOL**

(71) Applicant: **Roger Doherty**, Clonmany (IE)

(72) Inventor: **Roger Doherty**, Clonmany (IE)

(\*\*) Term: **15 Years**

(21) Appl. No.: **35/507,285**

(22) Filed: **Nov. 7, 2018**

(80) **Hague Agreement Data**

Int. Filing Date: **Nov. 7, 2018**

Int. Reg. No.: **DM/202411**

Int. Reg. Date: **Nov. 7, 2018**

Int. Reg. Pub. Date: **Aug. 23, 2019**

(51) **LOC (12) Cl.** ..... **08-05**

(52) **U.S. Cl.**  
USPC ..... **D8/59**

(58) **Field of Classification Search**  
USPC ..... D8/51, 499, 59, 88, 309, 400  
CPC ..... B66F 19/005; B66F 15/00; B25B 9/00;  
E02D 29/1445

See application file for complete search history.

(56) **References Cited**

**U.S. PATENT DOCUMENTS**

2,185,346 A \* 1/1940 Kulp ..... B25B 9/00  
29/213.1

3,261,242 A \* 7/1966 Peters ..... B25B 27/0042  
81/129  
3,270,407 A \* 9/1966 Araujo ..... B25B 27/0042  
29/259  
4,076,217 A \* 2/1978 Haller ..... B66F 19/00  
254/131  
4,662,607 A \* 5/1987 Mochizuki ..... B66F 19/005  
254/131  
4,681,300 A \* 7/1987 Drugge ..... B66F 19/005  
254/131  
D457,795 S \* 5/2002 Mohammed ..... D8/51  
D875,494 S \* 2/2020 Widner ..... D8/51  
D879,570 S \* 3/2020 Lin ..... D8/51

\* cited by examiner

*Primary Examiner* — Eliza Z Bennett-Hattan

(57) **CLAIM**

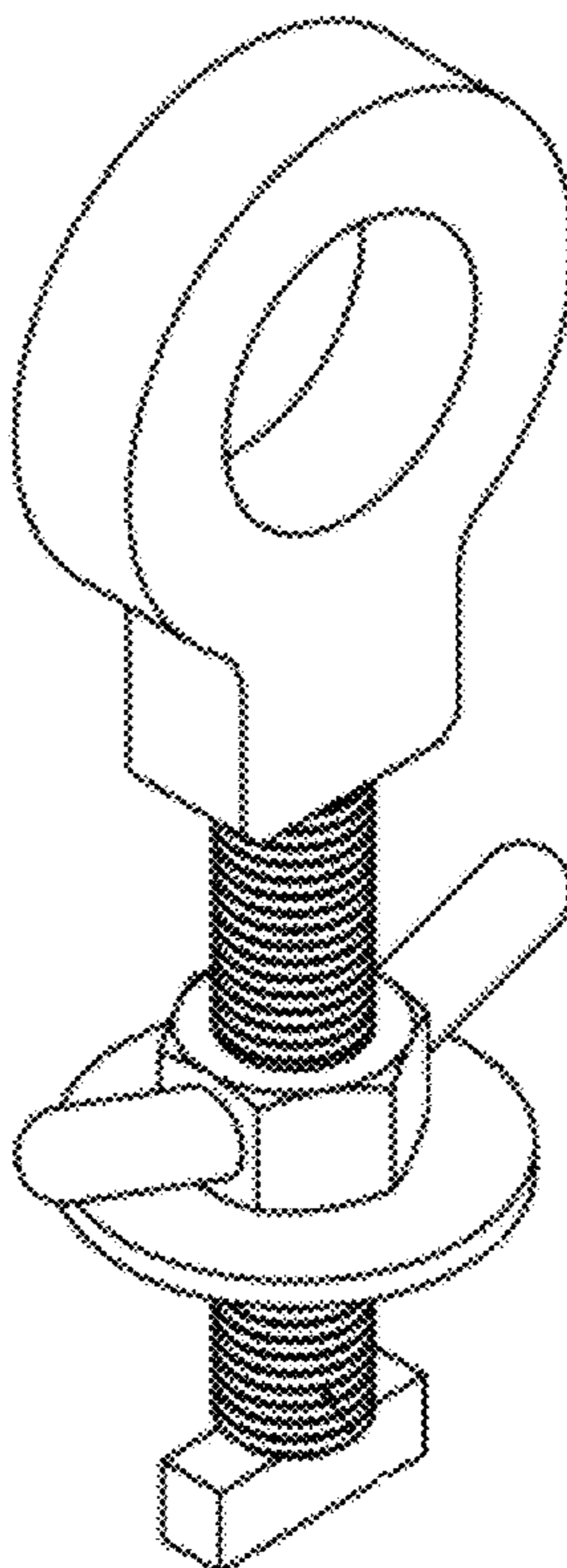
The ornamental design for a manhole cover lifting key, as shown and described.

**DESCRIPTION**

1. Manual manhole cover lifting tool  
Manhole cover lifting key.

**1 Claim, 1 Drawing Sheet**

**1**



1

