



US00D892580S

(12) **United States Design Patent** (10) **Patent No.:** **US D892,580 S**
Huang (45) **Date of Patent:** **** Aug. 11, 2020**

- (54) **EMBELLISHING PLATE FOR SHEARS** 8,950,075 B2 * 2/2015 Huang B26B 13/26
 30/252
- (71) Applicant: **ALLPROFESSIONAL MFG. CO., LTD.**, Taichung (TW) 9,027,253 B2 * 5/2015 Huang B26B 13/26
 30/252
- (72) Inventor: **Chung-Ping Huang**, Taichung (TW) D767,653 S * 9/2016 McIntosh D15/139
 9,655,305 B2 * 5/2017 Cunningham A01G 3/021
 D807,715 S * 1/2018 Znova D8/5
 D849,493 S * 5/2019 Ping D8/52
 D859,117 S * 9/2019 Musser D8/70
- (73) Assignee: **ALLPROFESSIONAL MFG. CO., LTD.**, Taichung (TW) 2013/0000131 A1 * 1/2013 Savolainen B26B 13/28
 30/252
- (**) Term: **15 Years** 2020/0101632 A1 * 4/2020 Seferi B26B 9/02
 2020/0108517 A1 * 4/2020 Kiley B26B 29/00
 2020/0108518 A1 * 4/2020 Fountain B26B 29/04
- (21) Appl. No.: **29/654,103**
- (22) Filed: **Jun. 21, 2018**
- (51) **LOC (12) Cl.** **08-03**
- (52) **U.S. Cl.**
 USPC **D8/57**
- (58) **Field of Classification Search**
 USPC D8/4, 5, 52, 54, 57; 30/131, 296.1, 134,
 30/251, 252, 253, 261, 262
 See application file for complete search history.

* cited by examiner

Primary Examiner — Cynthia R Underwood

(74) *Attorney, Agent, or Firm* — Alan D. Kamrath; Mayer & Williams PC

(57) **CLAIM**

The ornamental design for an embellishing plate for shears, as shown and described.

DESCRIPTION

FIG. 1 is a perspective view of an embellishing plate for shears showing my new design;
 FIG. 2 is a front view thereof;
 FIG. 3 is a rear view thereof;
 FIG. 4 is a left view thereof;
 FIG. 5 is a right view thereof;
 FIG. 6 is a top view thereof; and,
 FIG. 7 is a bottom view thereof.

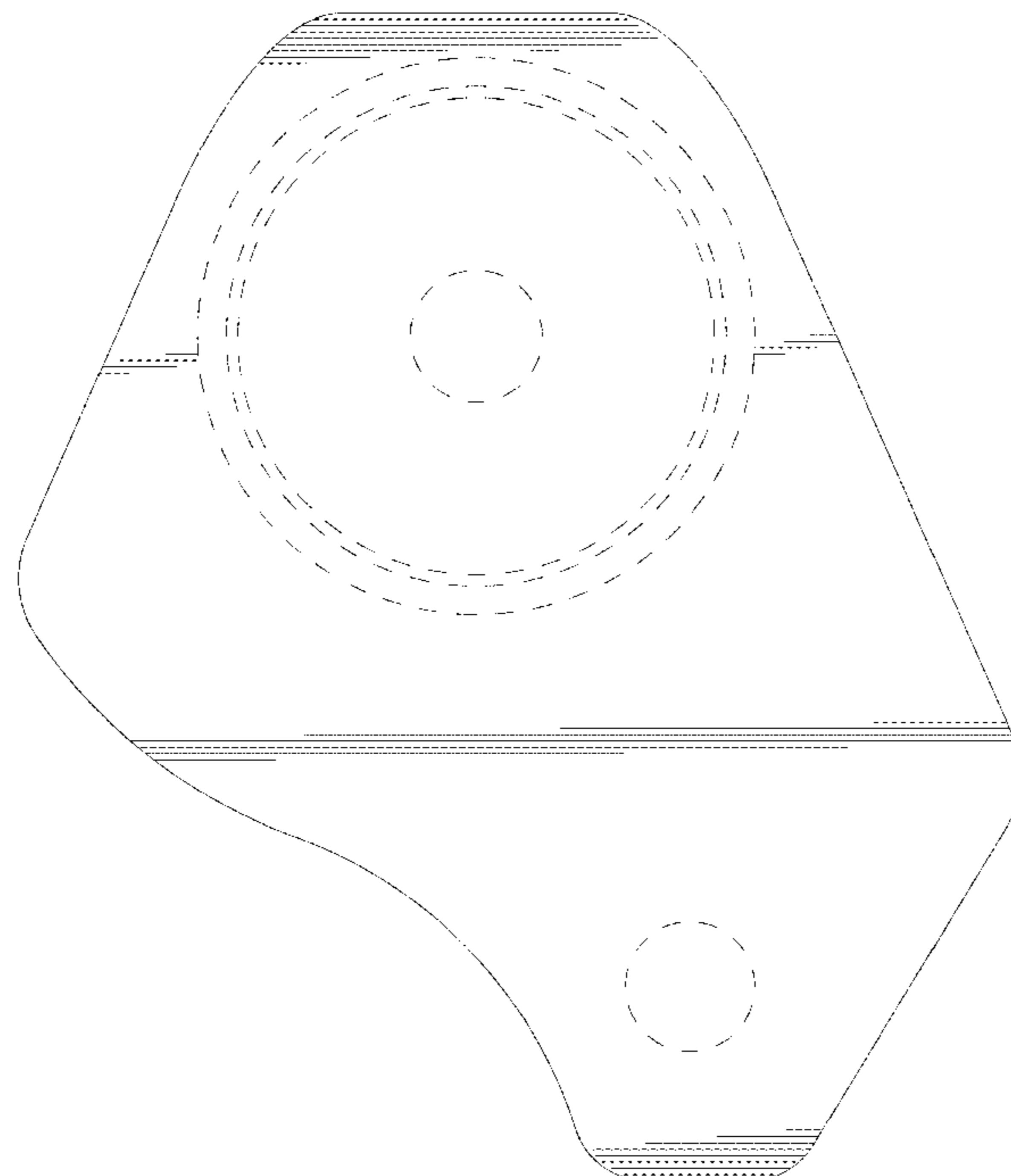
The broken lines depict portions of the embellishing plate for shears in which the design is embodied that are not considered part of the claimed design.

1 Claim, 7 Drawing Sheets

(56) **References Cited**

U.S. PATENT DOCUMENTS

- D413,778 S * 9/1999 Matthews D8/57
 D416,567 S * 11/1999 Vogelsanger D15/139
 D442,459 S * 5/2001 Wilkinson D15/139
 D445,010 S * 7/2001 Hesprich D8/57
 D445,324 S * 7/2001 Hesprich D8/107
 D450,551 S * 11/2001 Lai D8/5
 D476,199 S * 6/2003 Richwine D8/5
 D558,003 S * 12/2007 Lai D8/5
 D600,514 S * 9/2009 Butcher D8/5
 D618,996 S * 7/2010 Wu D8/1
 D660,124 S * 5/2012 Mashburn D8/99
 D695,082 S * 12/2013 Huang D8/5
 D700,029 S * 2/2014 Roberts D8/57



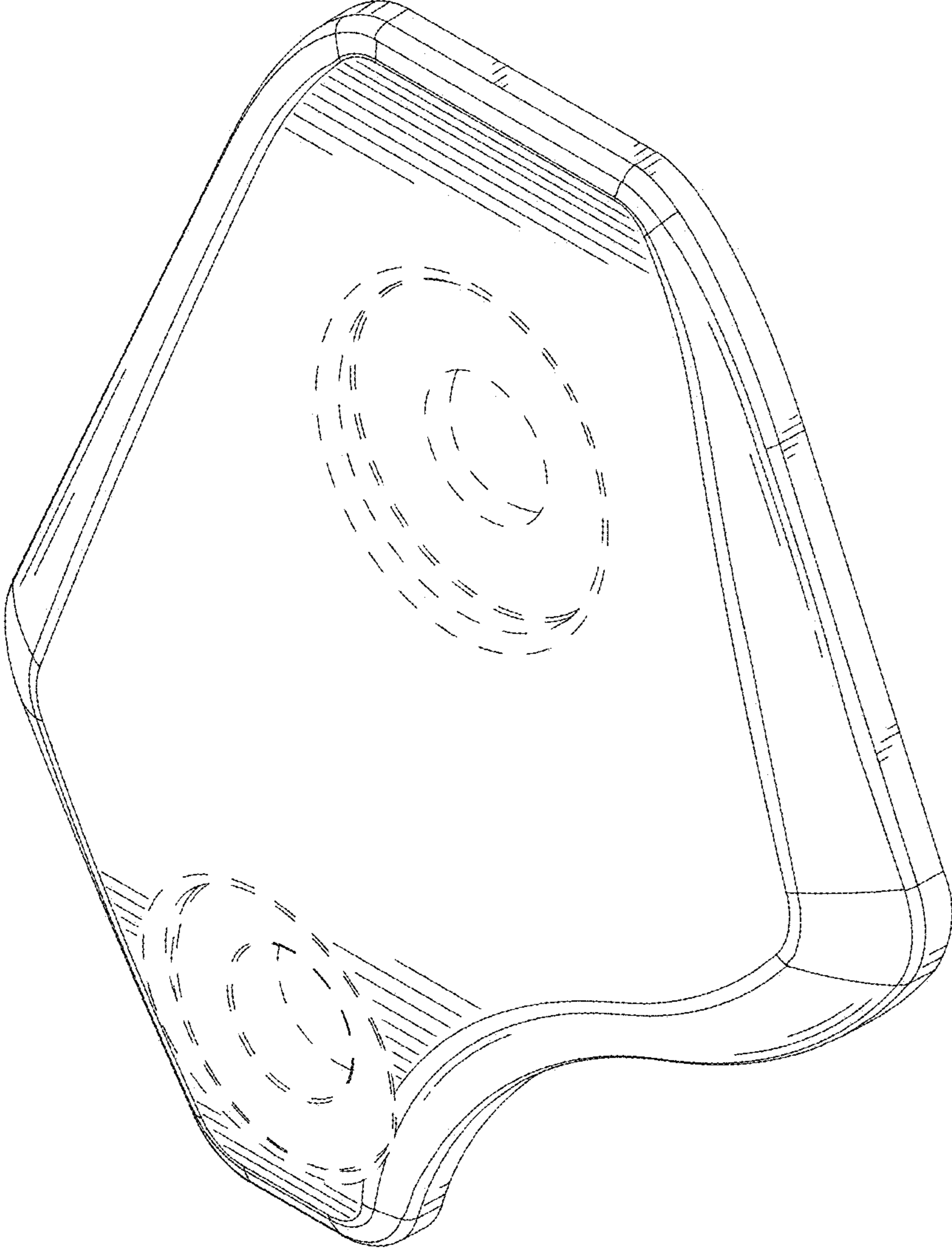


FIG. 1

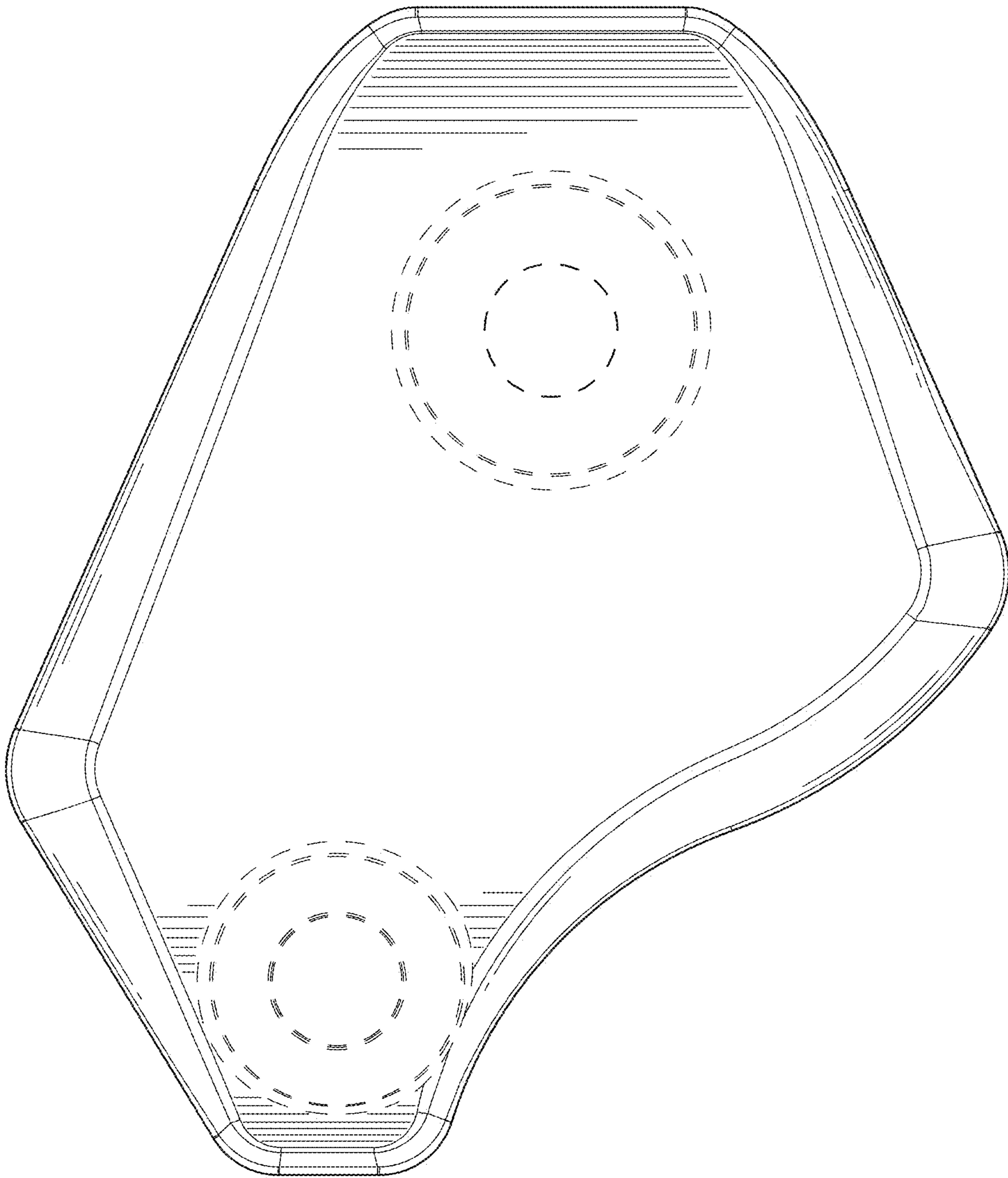


FIG. 2

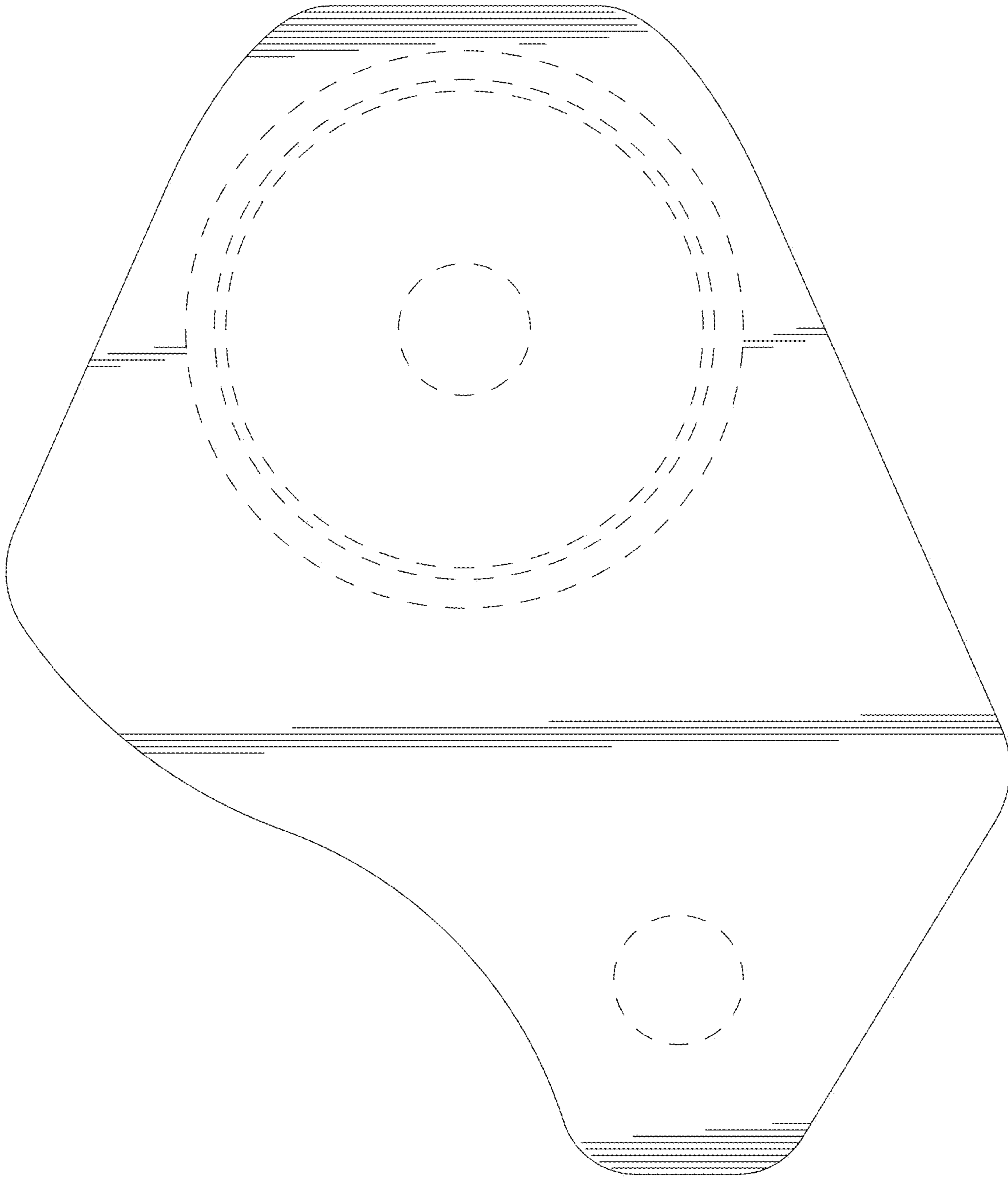


FIG. 3

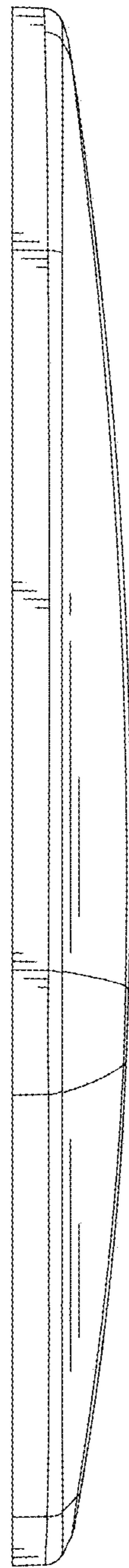


FIG. 4

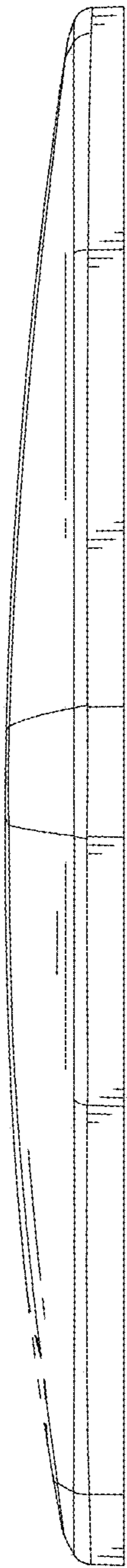


FIG. 5

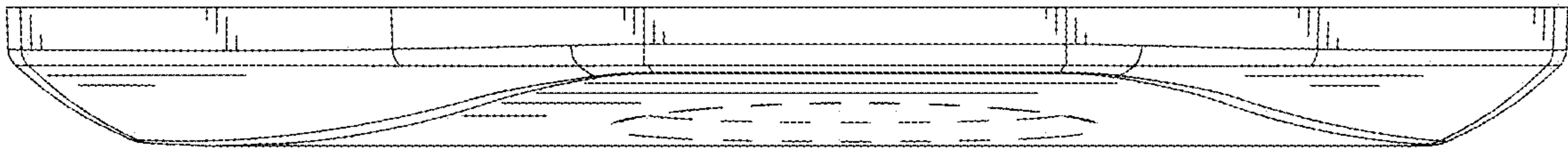


FIG. 6

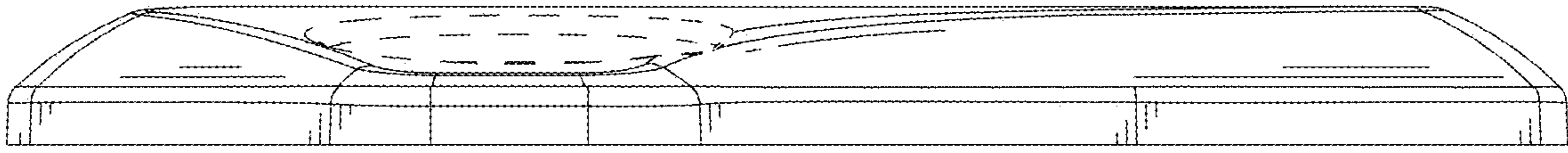


FIG. 7