

US00D892578S

(12) **United States Design Patent**  
**Kukucka et al.**

(10) **Patent No.:** **US D892,578 S**

(45) **Date of Patent:** **\*\* Aug. 11, 2020**

(54) **THREADED DRIVER SOCKET**

FOREIGN PATENT DOCUMENTS

(71) Applicant: **GRIP HOLDINGS LLC**, Brandon, FL (US)

CN 1099909922 6/2019  
GB 2501181 10/2013

(72) Inventors: **Paul Kukucka**, Brandon, FL (US);  
**Thomas Stefan Kukucka**, Brandon, FL (US)

*Primary Examiner* — Sheryl Lane  
*Assistant Examiner* — Calvin E Vansant

(73) Assignee: **GRIP HOLDINGS LLC**, Brandon, FL (US)

(57) **CLAIM**

The ornamental design for threaded driver socket, as shown and described.

(\*\*) Term: **15 Years**

**DESCRIPTION**

(21) Appl. No.: **29/712,023**

(22) Filed: **Nov. 5, 2019**

**Related U.S. Application Data**

(63) Continuation-in-part of application No. 16/514,117, filed on Jul. 17, 2019, and a continuation-in-part of application No. 16/255,341, filed on Jan. 23, 2019, which is a continuation-in-part of application No. 16/107,842, filed on Aug. 21, 2018, and a  
(Continued)

FIG. 1 is a top-front-left perspective view of a threaded driver socket showing our new design;  
FIG. 2 is a bottom-rear-right perspective view thereof;  
FIG. 3 is a front elevational view thereof;  
FIG. 4 is a rear elevational view thereof;  
FIG. 5 is a right-side elevational view thereof;  
FIG. 6 is a left-side elevational view thereof;  
FIG. 7 is a top plan view thereof;  
FIG. 8 is a bottom plan view thereof;  
FIG. 9 is a cross-sectional view taken along line 9-9 in FIG. 7;  
FIG. 10 is a cross-sectional view taken along line 10-10 in FIG. 8;  
FIG. 11 is an alternate rear perspective view of the present invention;  
FIG. 12 is an alternate top-front-left perspective view of the present invention; and  
FIG. 13 is a cross-sectional view taken along line 13-13 in FIG. 5.

(51) **LOC (12) Cl.** ..... **08-05**

(52) **U.S. Cl.**  
USPC ..... **D8/29**

(58) **Field of Classification Search**  
USPC ..... D8/21, 29, 382, 396, 397, 999  
CPC ..... B25B 13/06; B25B 13/065; B25B 23/02;  
B25B 23/103; B25B 23/00  
See application file for complete search history.

The broken line showing the socket body in FIGS. 1 through 13 and the fastener-receiving cavity in FIGS. 2, 4, 9, 10, and 11 is included for the purpose of showing environmental structure and forms no part of the claimed design. The threaded driver socket is shown with a symbolic break in its length. The appearance of any portion of the article between the break lines forms no part of the claimed design.

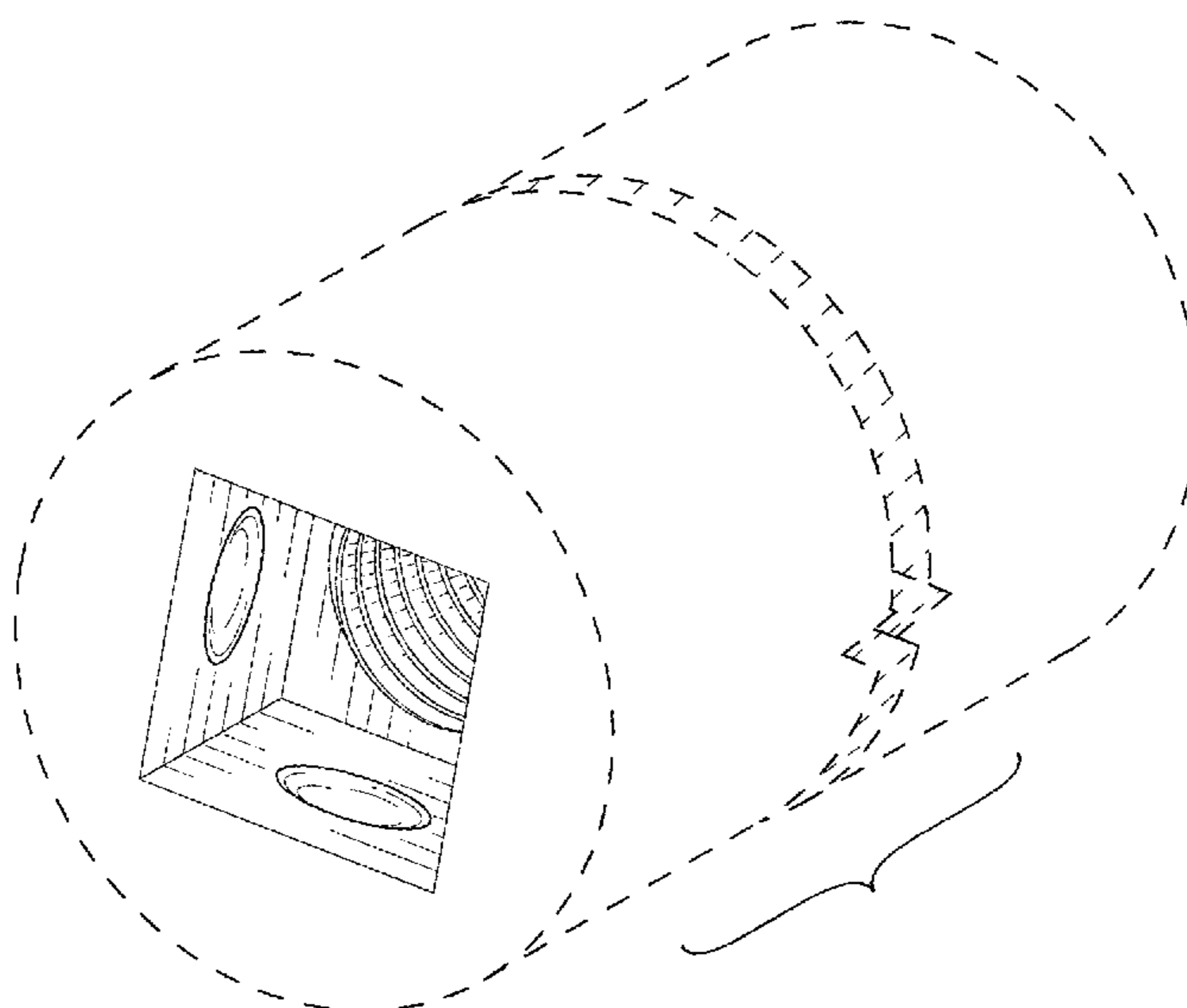
(56) **References Cited**

U.S. PATENT DOCUMENTS

3,292,463 A \* 12/1966 McKean ..... B25B 23/103  
81/53.2  
3,368,430 A \* 2/1968 Levering ..... B25B 23/103  
81/53.2

(Continued)

**1 Claim, 13 Drawing Sheets**



**Related U.S. Application Data**

continuation-in-part of application No. 15/601,864,  
filed on May 22, 2017.

(56) **References Cited**

U.S. PATENT DOCUMENTS

4,106,178	A *	8/1978	Seletyn .....	B25B 23/00 29/428
4,126,063	A	11/1978	Palmer	
4,601,623	A *	7/1986	Wallace .....	F16B 39/026 411/1
4,993,289	A *	2/1991	Parks .....	B25B 13/06 81/121.1
5,148,727	A *	9/1992	Williamson .....	B25B 13/06 411/281
D396,393	S *	7/1998	McCallum .....	D8/29
D425,770	S *	5/2000	Hsieh .....	D8/29
D434,291	S *	11/2000	Kim .....	D8/21
6,598,498	B1	7/2003	Pigford et al.	
6,889,580	B1 *	5/2005	Tseng .....	B25B 13/06 411/402
D524,615	S	7/2006	Albertson	
D525,839	S *	8/2006	Rauckman .....	D8/29
D526,172	S	8/2006	Lin	
D628,868	S	12/2010	Laurie	
D750,457	S *	3/2016	Li .....	D8/29
D776,504	S *	1/2017	Lee .....	D8/29
D787,906	S	5/2017	Chang	
D792,178	S *	7/2017	Lee .....	D8/29
D860,774	S	9/2019	Epstein	
D861,446	S *	10/2019	Gilbert .....	D8/29
2015/0314429	A1	11/2015	Doroslovac	

\* cited by examiner

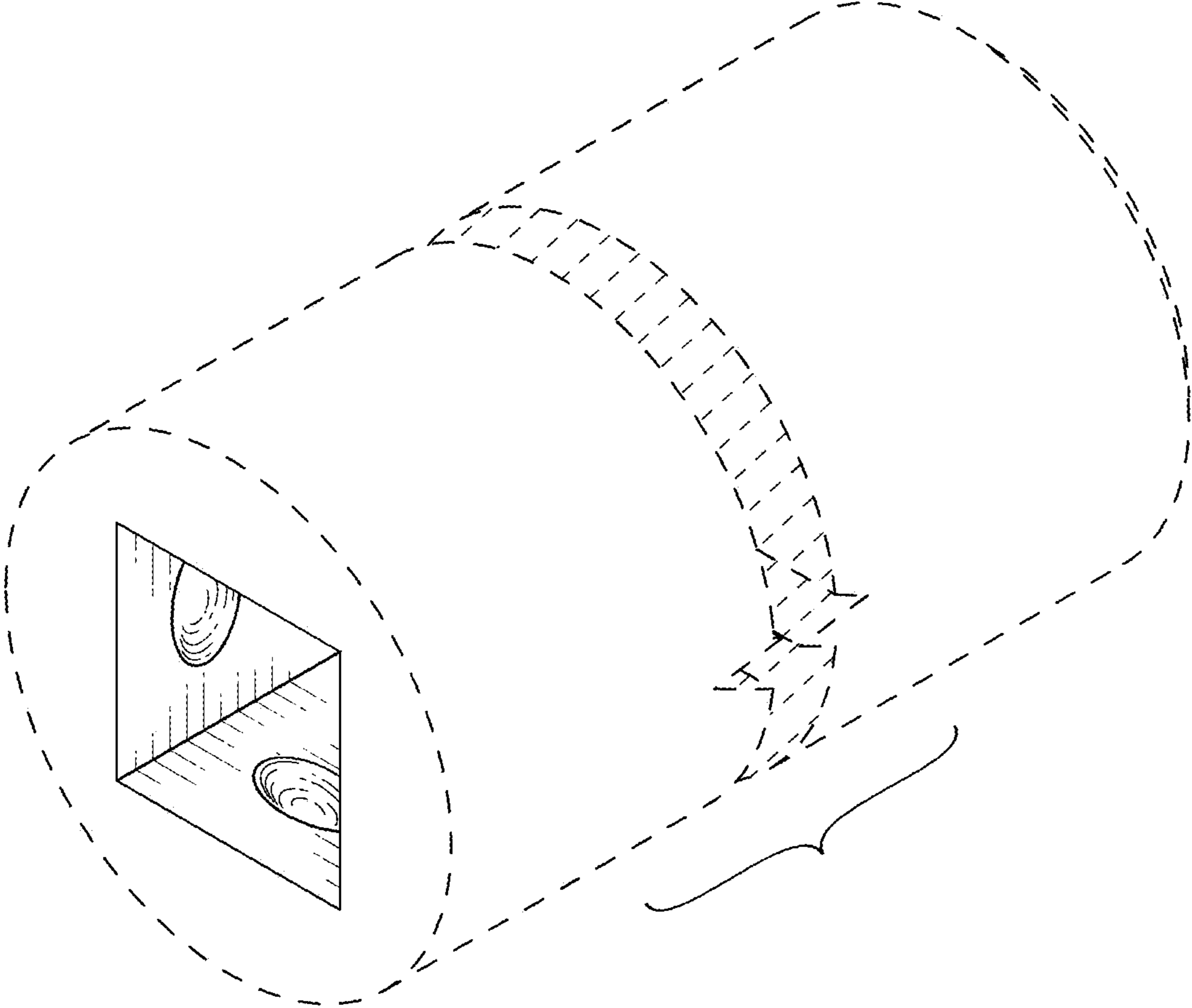


FIG. 1

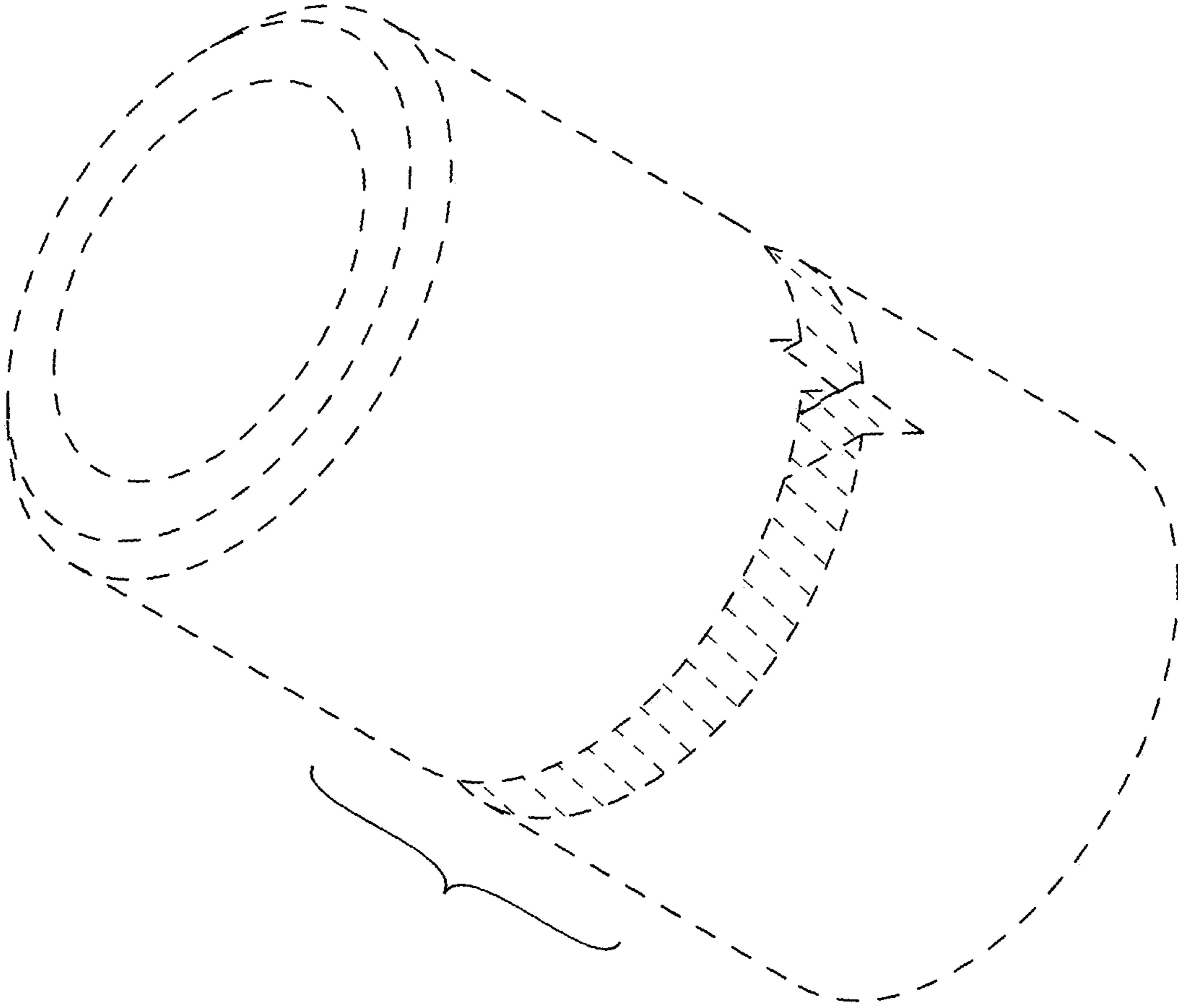


FIG. 2

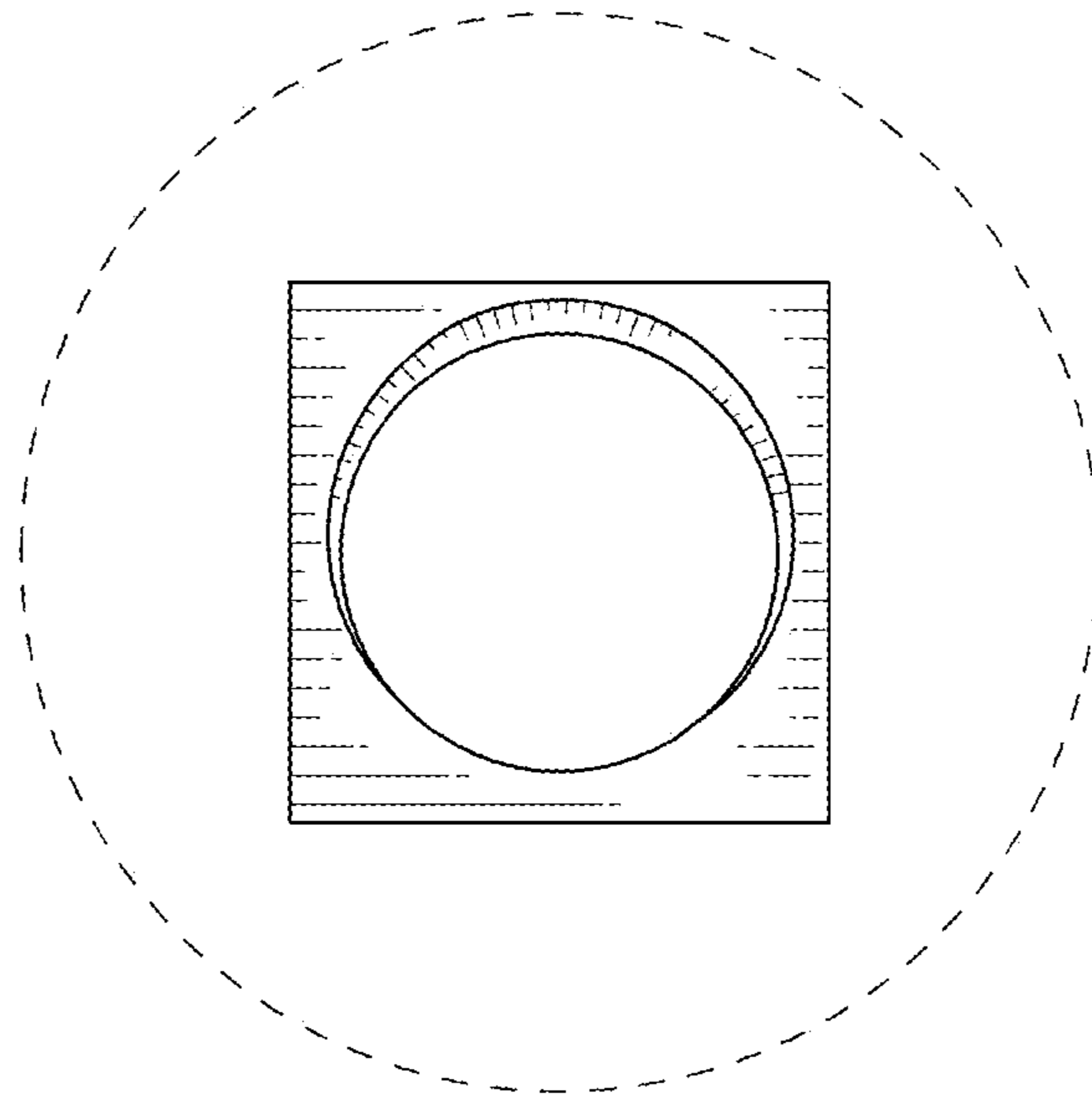


FIG. 3

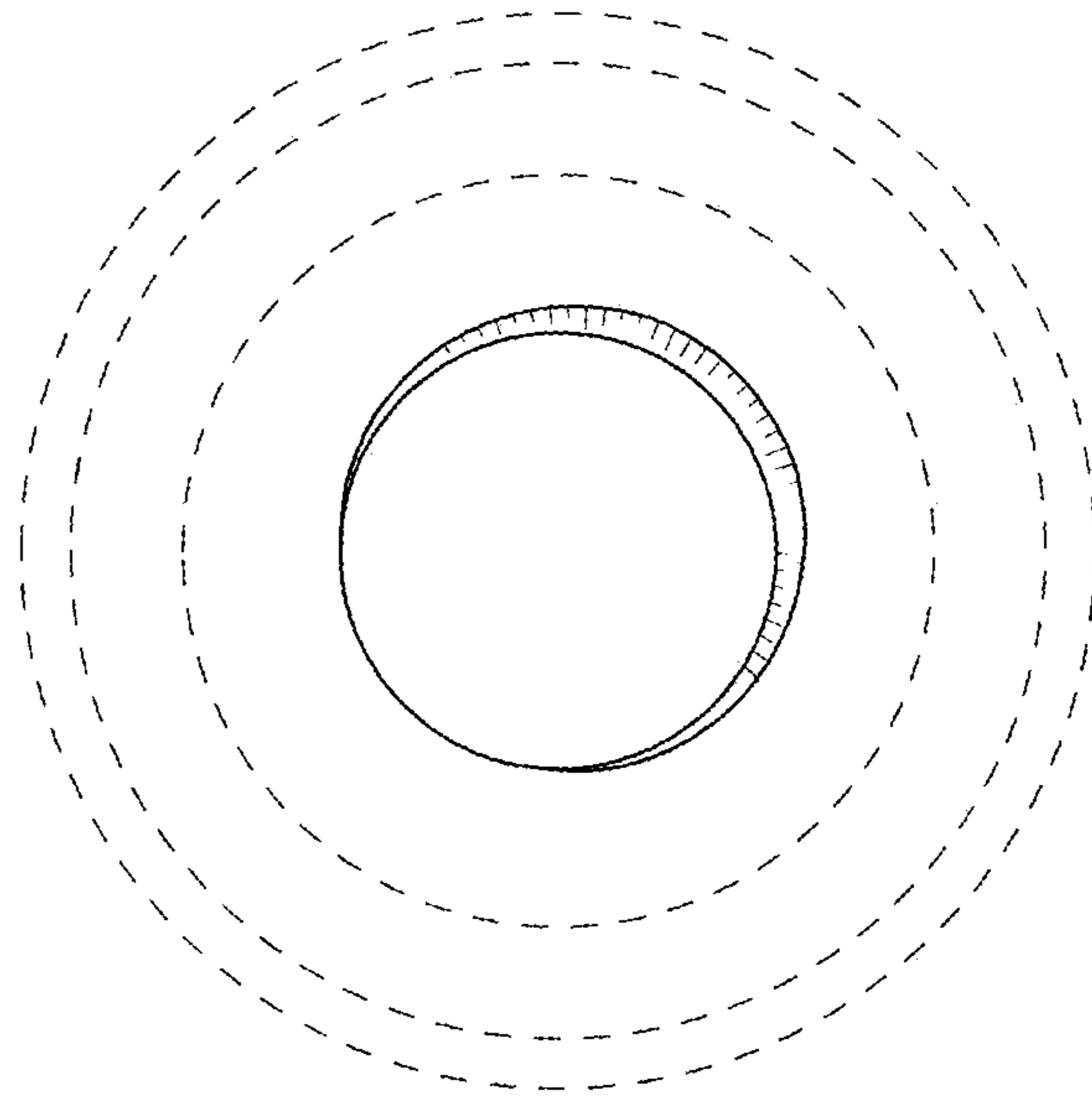


FIG. 4

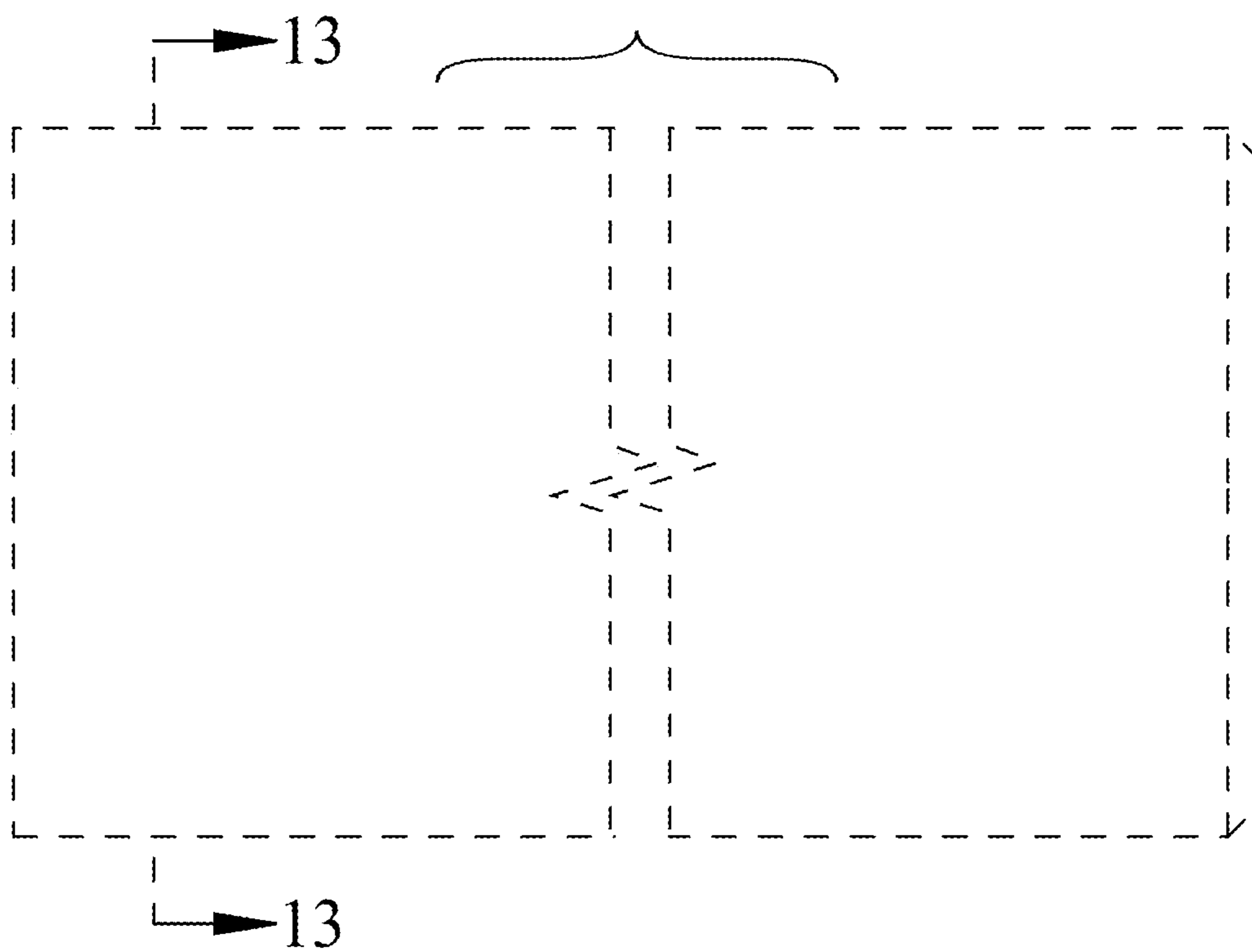


FIG. 5

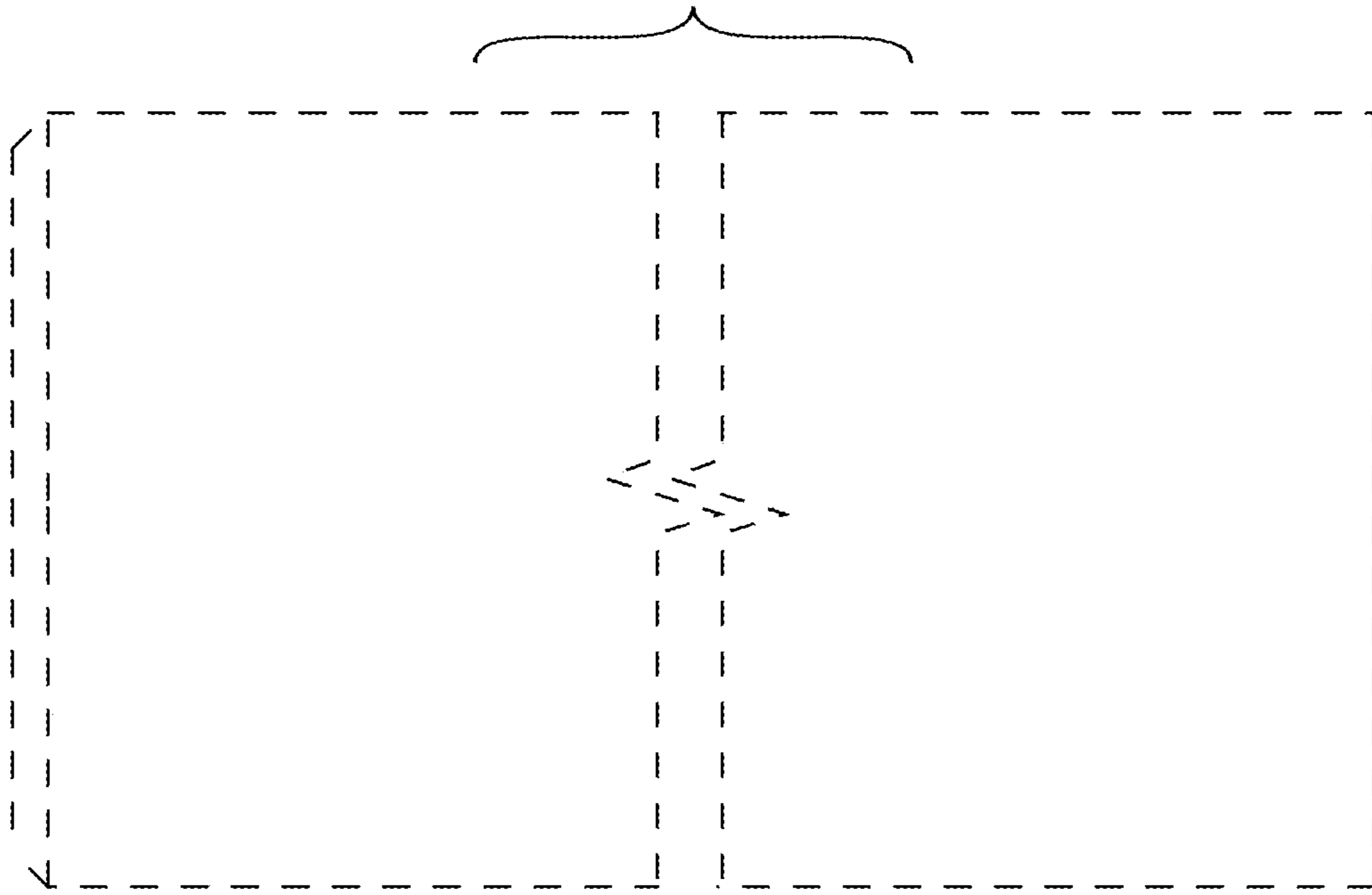


FIG. 6



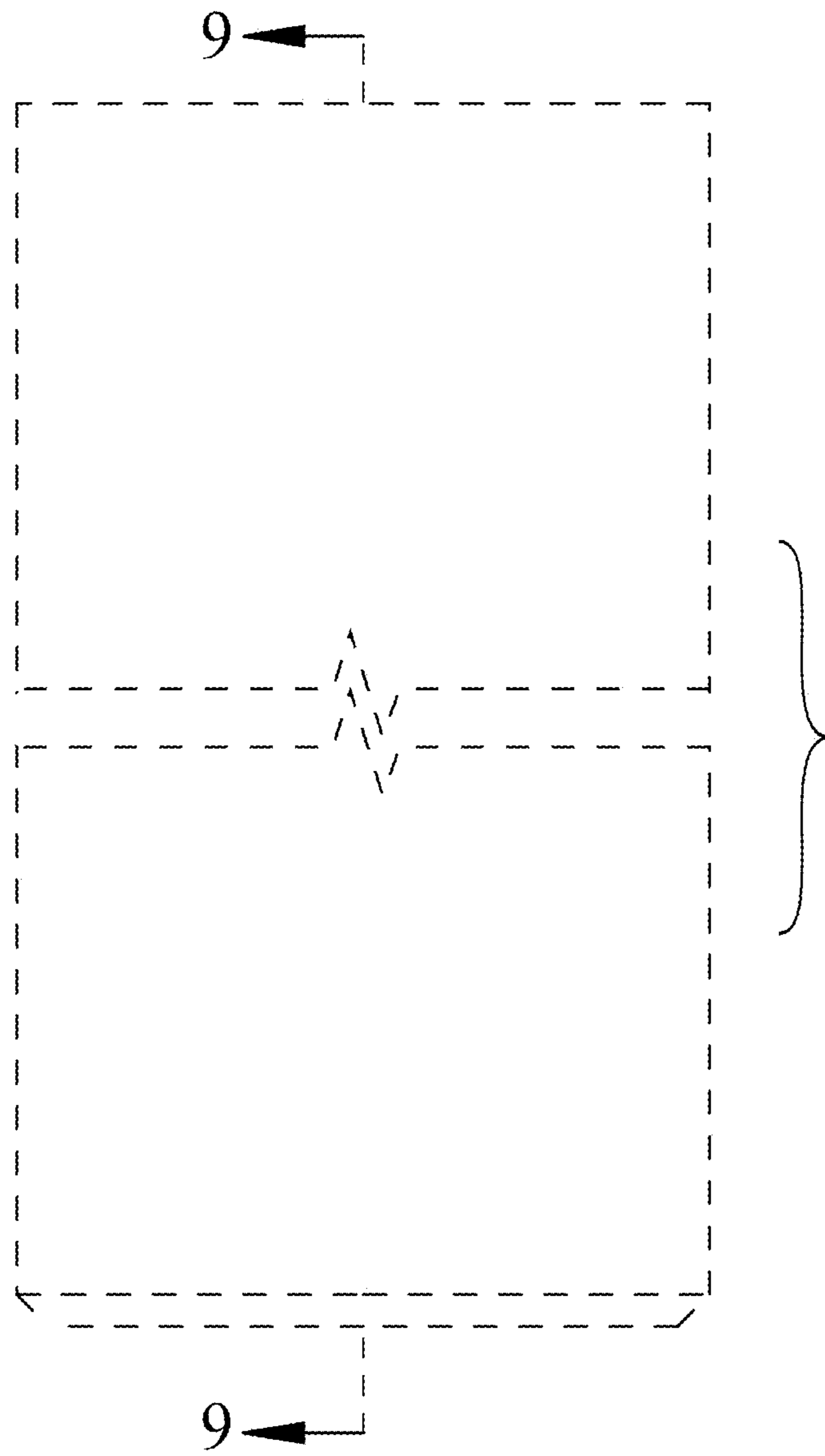


FIG. 7

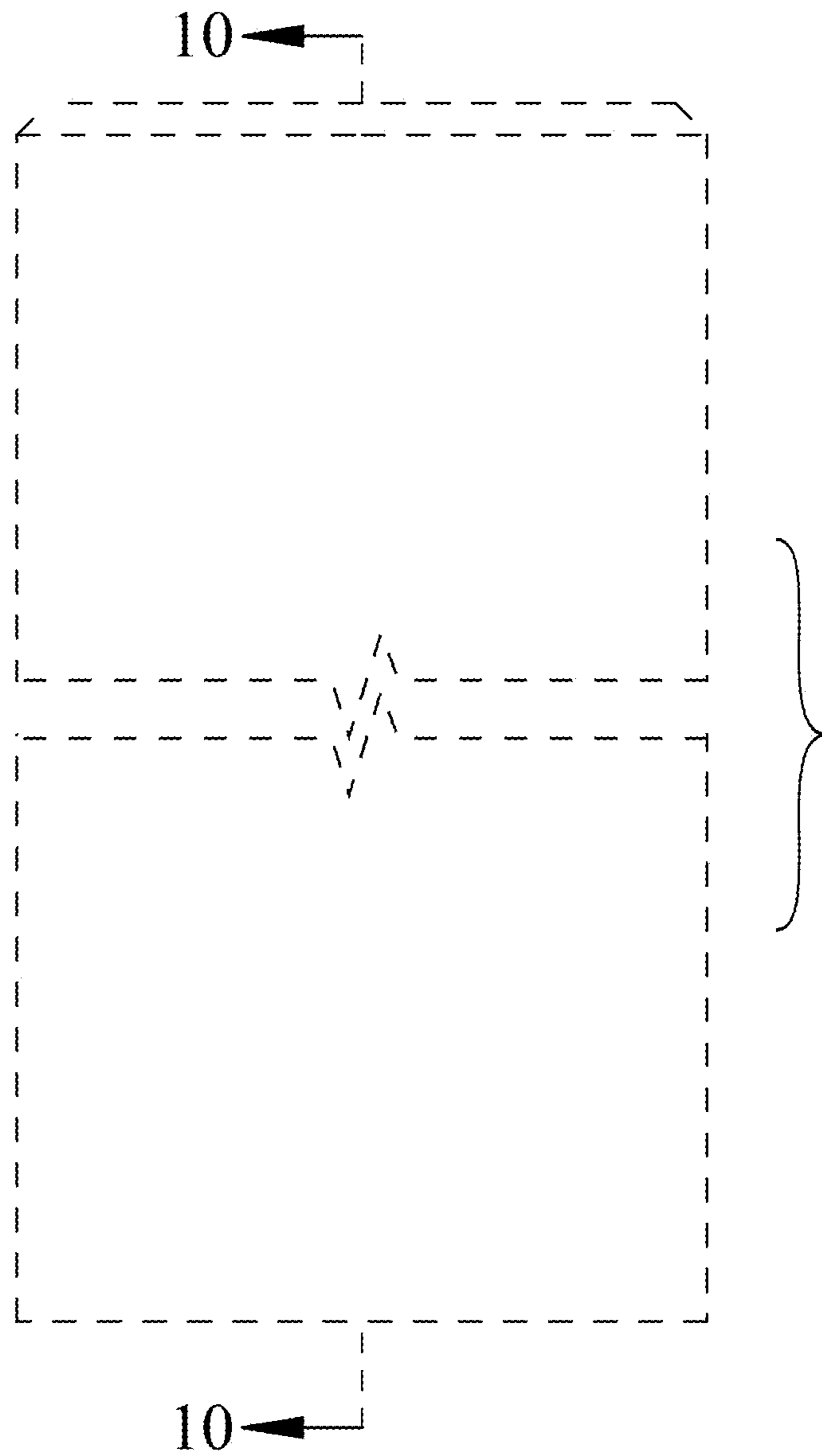


FIG. 8

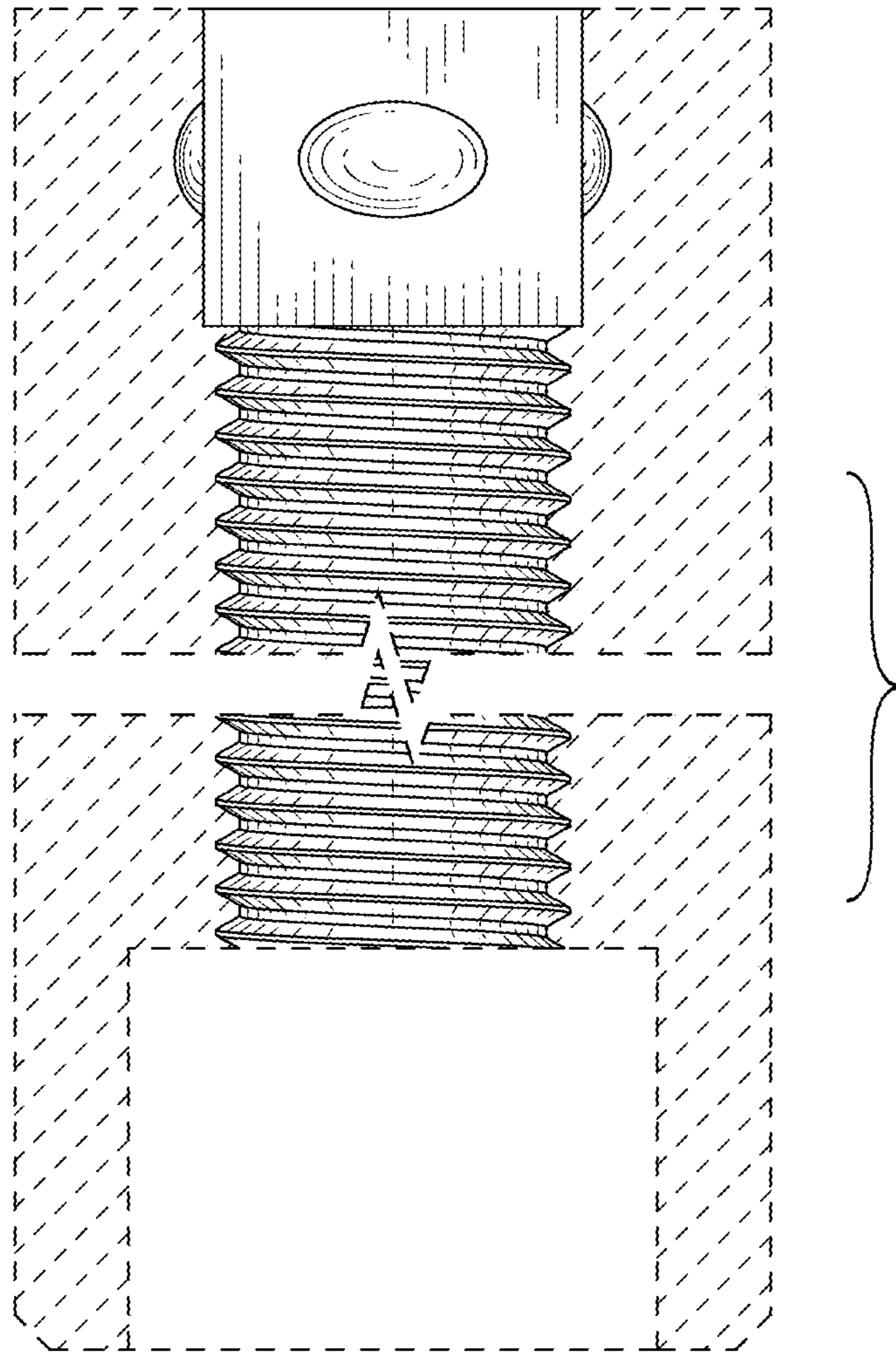


FIG. 9

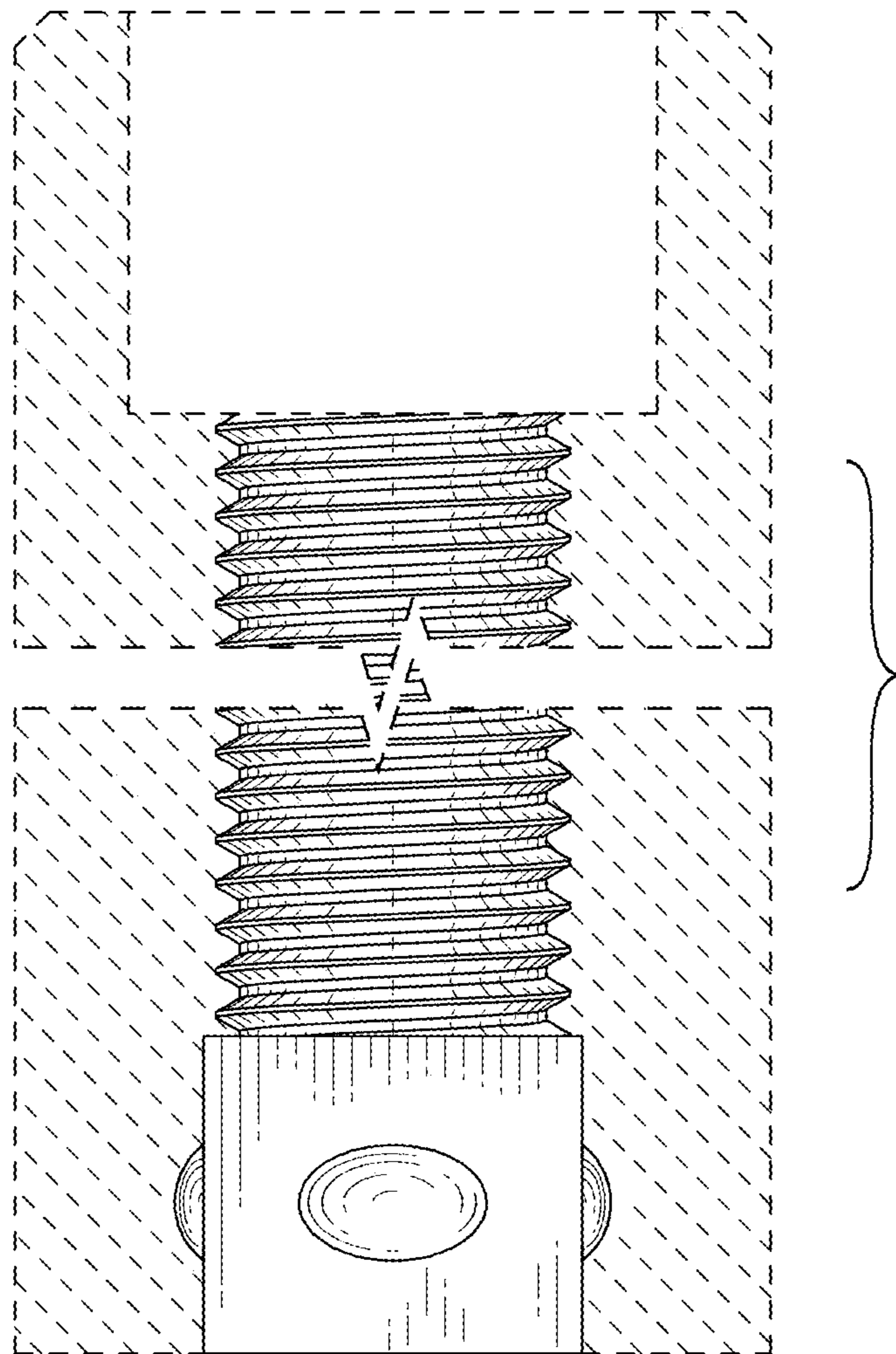


FIG. 10

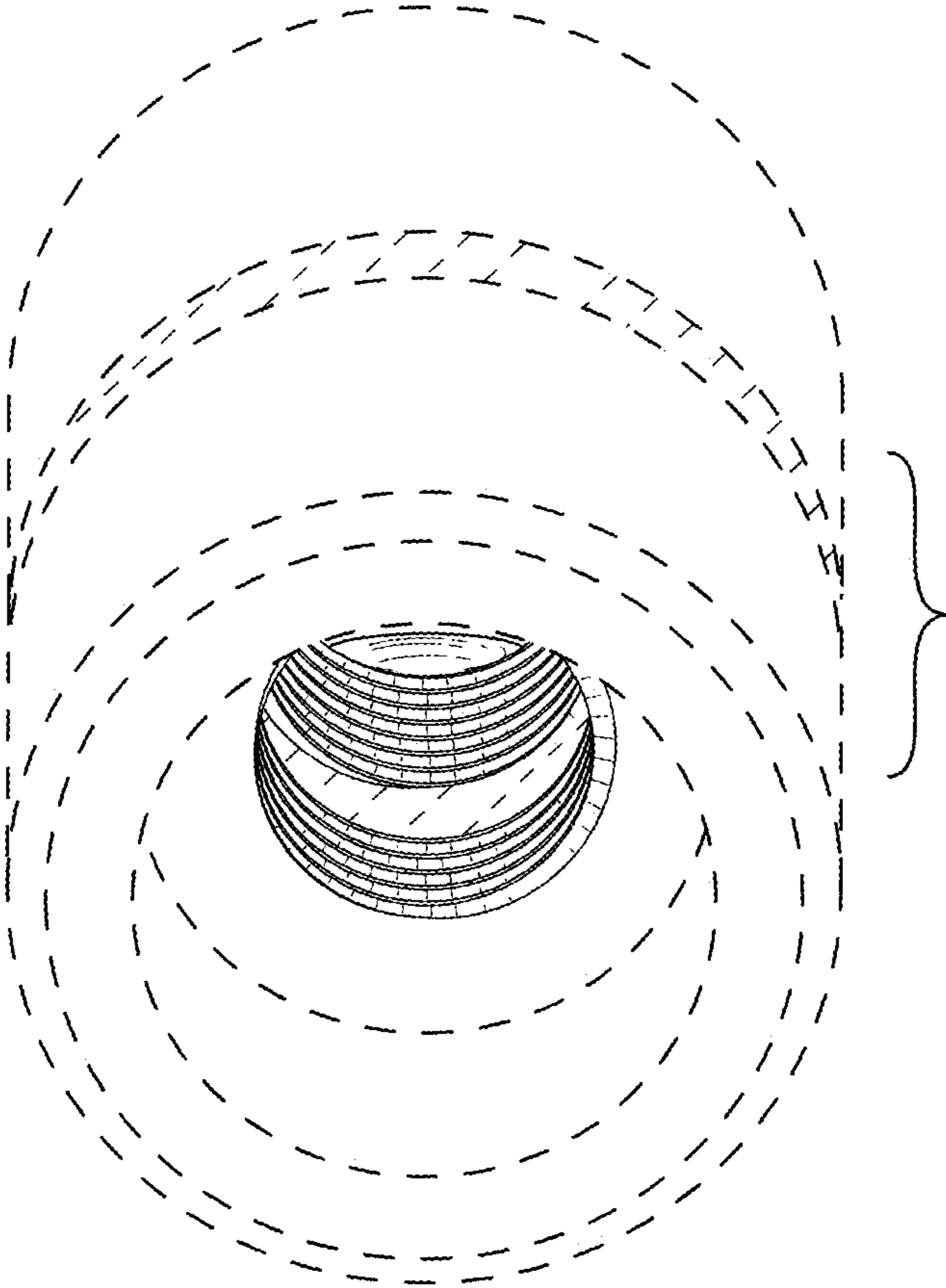


FIG. 11

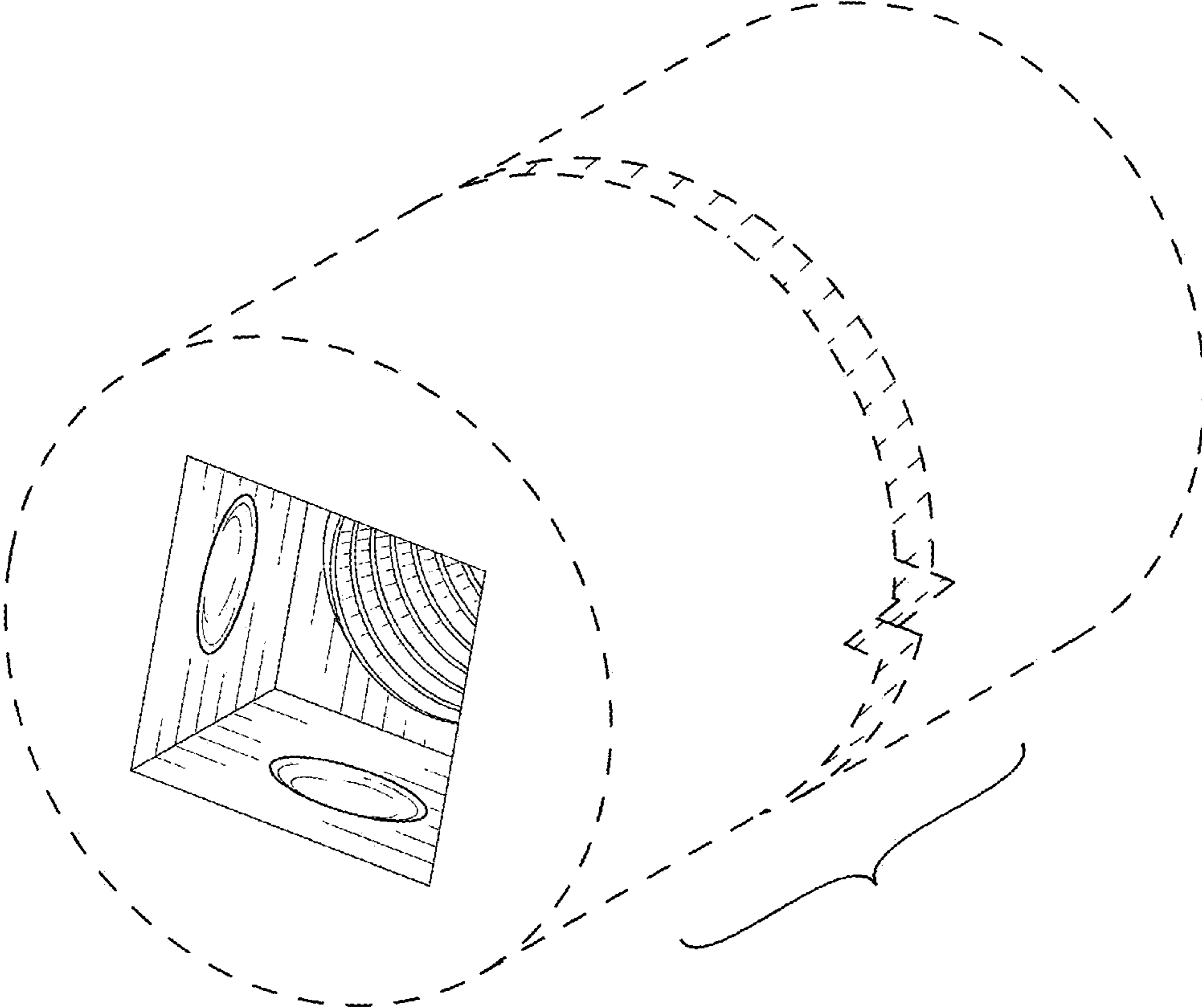


FIG. 12

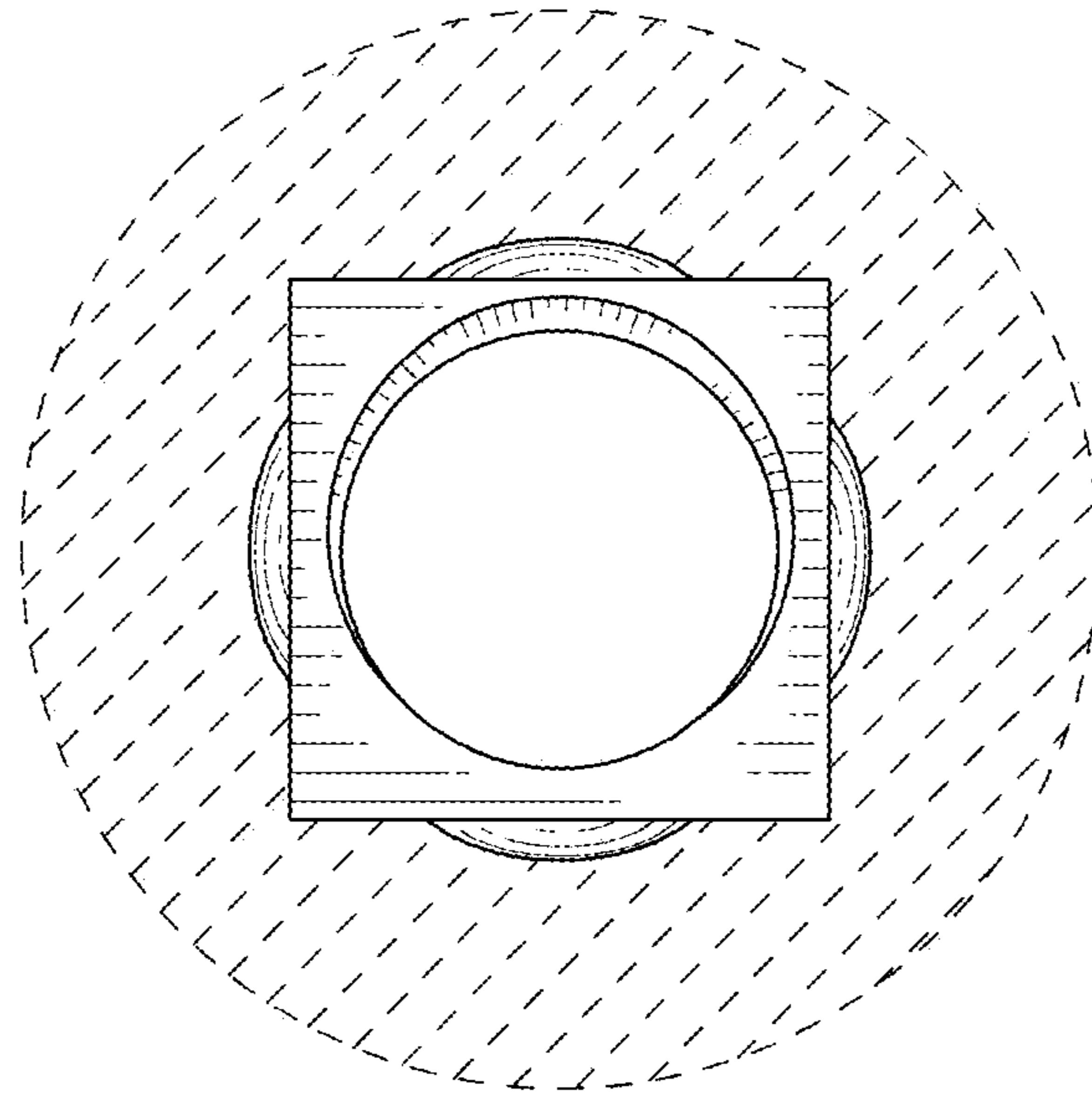


FIG. 13