



US00D892572S

(12) **United States Design Patent** (10) **Patent No.:** **US D892,572 S**  
**Hartley et al.** (45) **Date of Patent:** **\*\* Aug. 11, 2020**

(54) **CONTAINER WITH CONTAINER LID**

(74) *Attorney, Agent, or Firm* — Stevens & Showalter LLP

(71) Applicant: **The Decor Corporation Pty Ltd,**  
Dandenong South, VIC (AU)

(57) **CLAIM**

(72) Inventors: **Toby James Hartley,** Ferntree Gully (AU); **George Kotsiopoulos,** Bonbeach (AU); **Alexander Schoenmakers,** Elwood (AU); **Mark Turner,** South Penrith (AU)

The ornamental design for a container with container lid, as shown and described.

(73) Assignee: **The Decor Corporation Pty Ltd,**  
Dandenong South, VIC (AU)

**DESCRIPTION**

(\*\*) Term: **15 Years**

FIG. 1 is a perspective view of a container with container lid in an assembled position as seen from the top, front and first sides, showing our new design;

(21) Appl. No.: **29/659,083**

FIG. 2 is a perspective view of the container with the container lid shown in an assembled and closed position as seen from the bottom, rear and second sides thereof;

(22) Filed: **Aug. 6, 2018**

FIG. 3 is a front elevational view thereof;

(30) **Foreign Application Priority Data**

FIG. 4 is a rear elevational view thereof;

Feb. 7, 2018 (AU) ..... 2018012448

FIG. 5 is a first side elevational view thereof;

Feb. 7, 2018 (AU) ..... 2018101728

FIG. 6 is a second side elevational view thereof;

(51) **LOC (12) Cl.** ..... **09-07**

FIG. 7 is a top plan view thereof;

(52) **U.S. Cl.**

FIG. 8 is a bottom plan view thereof;

USPC ..... **D7/629;** D9/516

FIG. 9 is a perspective view of the container with the container lid shown in a disassembled position as seen from the top, front and first sides;

(58) **Field of Classification Search**

USPC ..... D7/601, 602, 629, 630, 397, 538–542, D7/598; D9/434, 435, 443, 447, 516, D9/645, 575; D10/46, 46.2

FIG. 10 is a perspective view of the container with the container lid shown in a disassembled position as seen from the bottom, rear and second sides;

(Continued)

FIG. 11 is a front elevational view thereof;

(56) **References Cited**

**U.S. PATENT DOCUMENTS**

5,518,152 A \* 5/1996 Burcham ..... G01F 11/26

FIG. 12 is a rear elevational view thereof;

222/158

FIG. 13 is a first side elevational view thereof;

D573,395 S \* 7/2008 Tullney ..... D23/209

FIG. 14 is a second side elevational view thereof;

(Continued)

FIG. 15 is a perspective view of the container lid as seen from the top, front and first sides;

*Primary Examiner* — Susan E Krakower

FIG. 16 is a perspective view of the container lid as seen from the bottom, rear and second sides;

*Assistant Examiner* — Andrew Kerr

FIG. 17 is a front elevational view thereof;

FIG. 18 is a rear elevational view thereof;

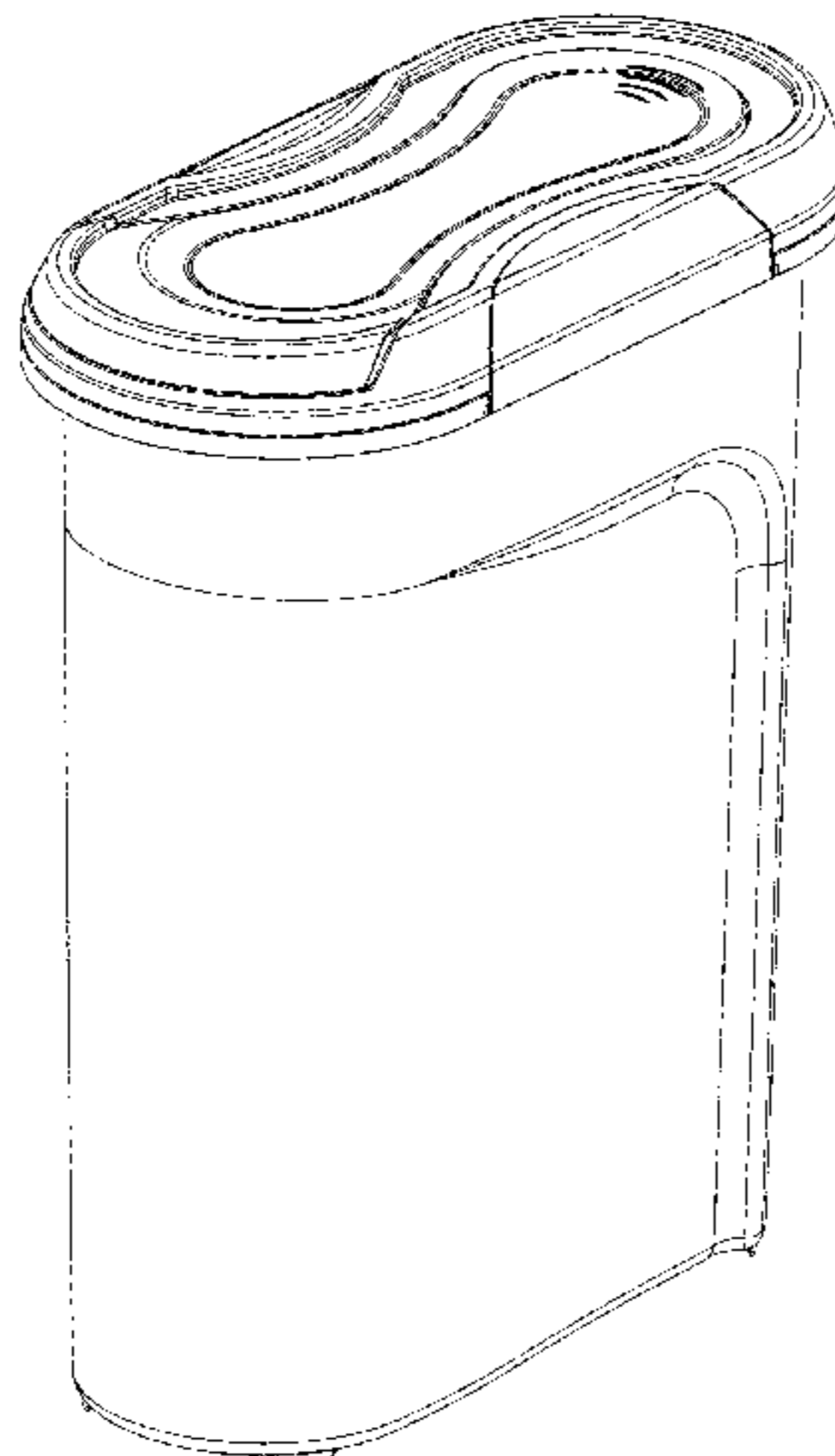
FIG. 19 is a second side elevational view thereof;

FIG. 20 is a first side elevational view thereof;

FIG. 21 is a top plan view thereof; and,

FIG. 22 is a bottom plan view thereof.

(Continued)



The broken lines in the drawings depict portions of the container with container lid that form no part of the claimed design.

**1 Claim, 19 Drawing Sheets**

(58) **Field of Classification Search**

CPC .... B65D 43/00; B65D 43/0233; B65D 43/02;  
B65D 2543/00296; B65D 1/26

See application file for complete search history.

(56) **References Cited**

U.S. PATENT DOCUMENTS

D674,249 S *	1/2013	Duvigneau .....	D7/629
D679,958 S *	4/2013	Yang .....	D7/629
D694,100 S *	11/2013	Schneider .....	D24/224
D696,078 S *	12/2013	Allen .....	D7/629
D736,570 S *	8/2015	Sykes .....	D10/46.2
D736,571 S *	8/2015	Laskowski .....	D7/629
D749,943 S *	2/2016	Mitten .....	D9/423
D767,346 S *	9/2016	Mussio .....	D7/629
D799,635 S *	10/2017	Kimura .....	D23/207

\* cited by examiner

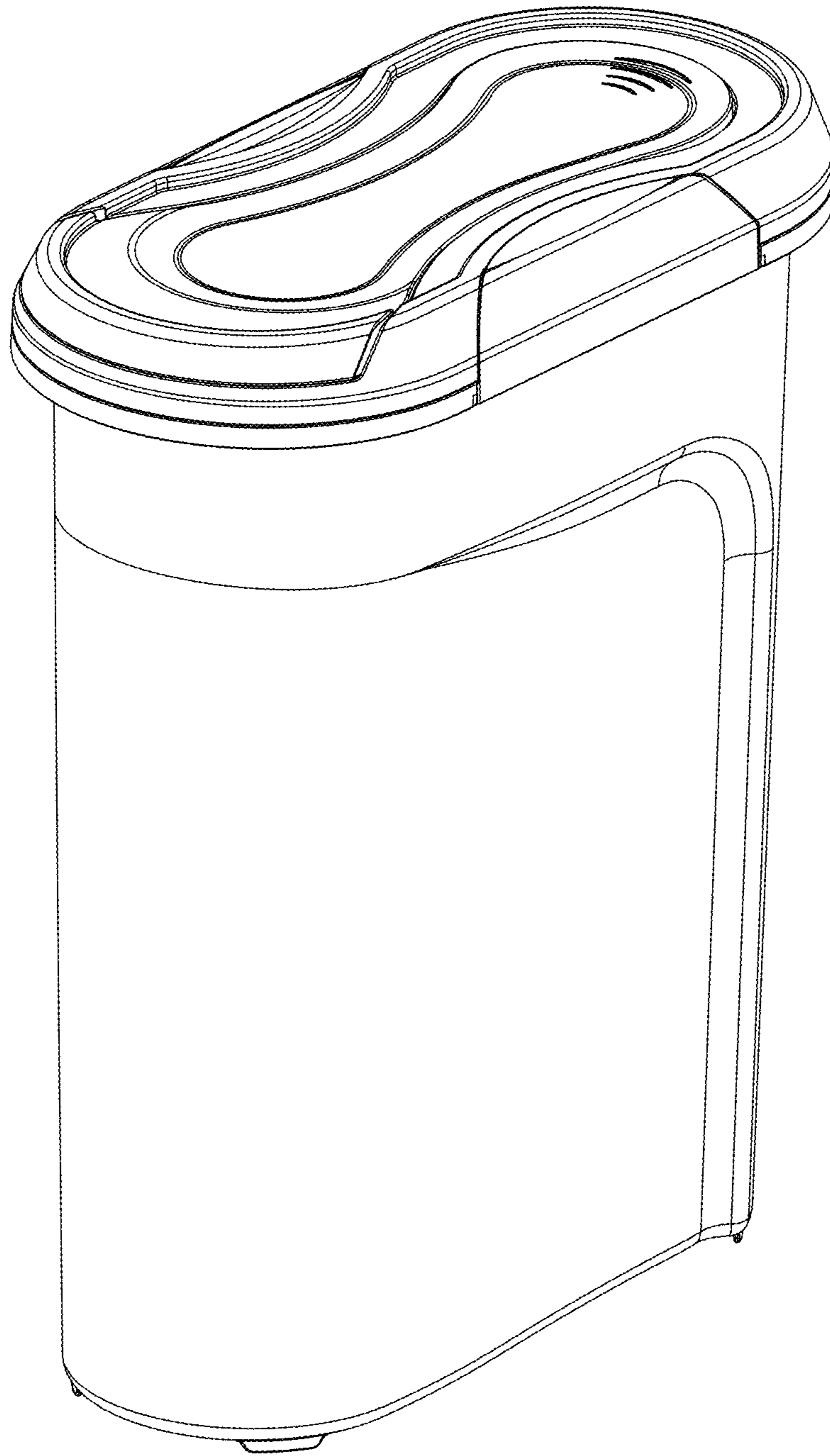


FIG. 1

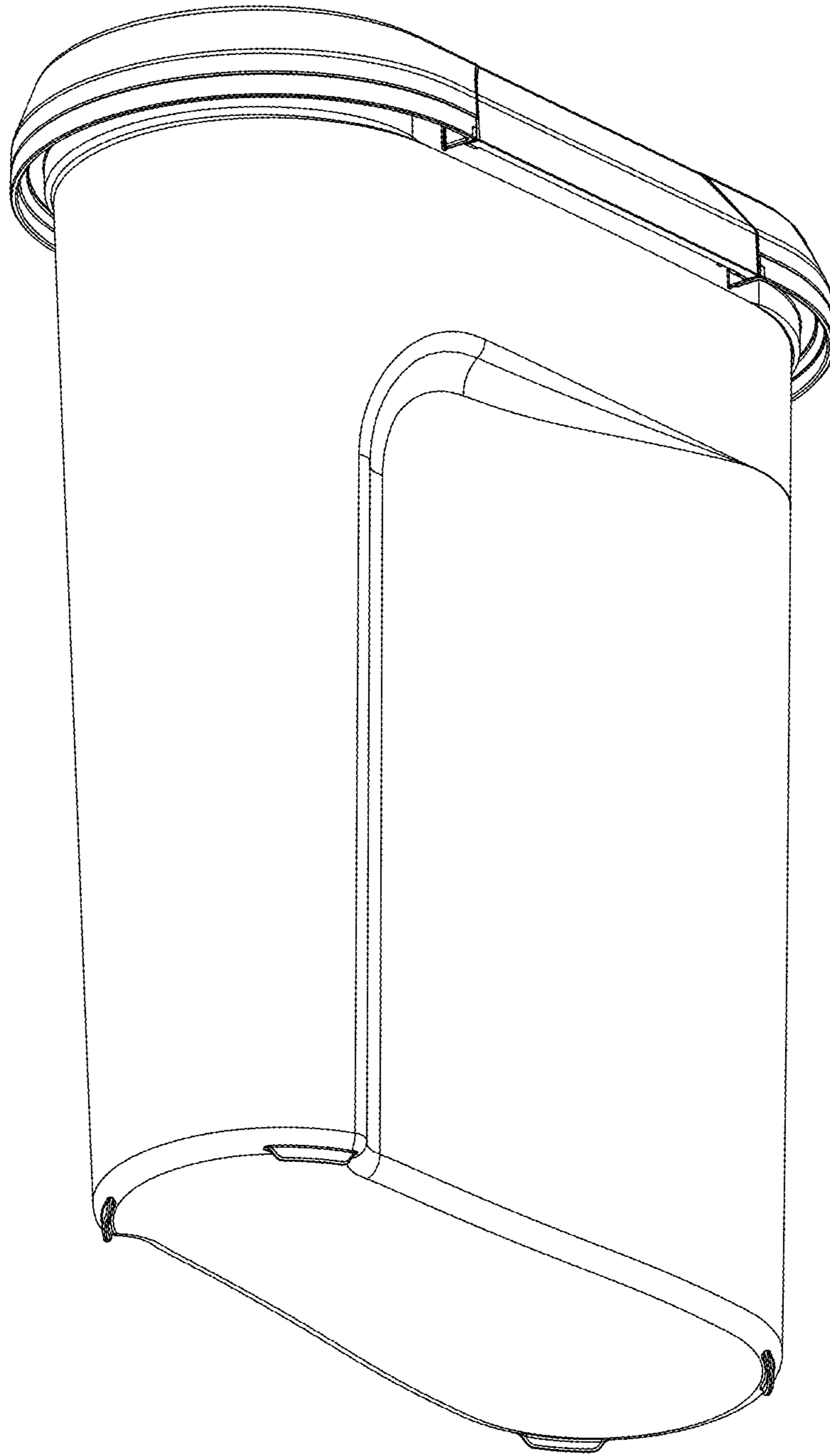


FIG. 2

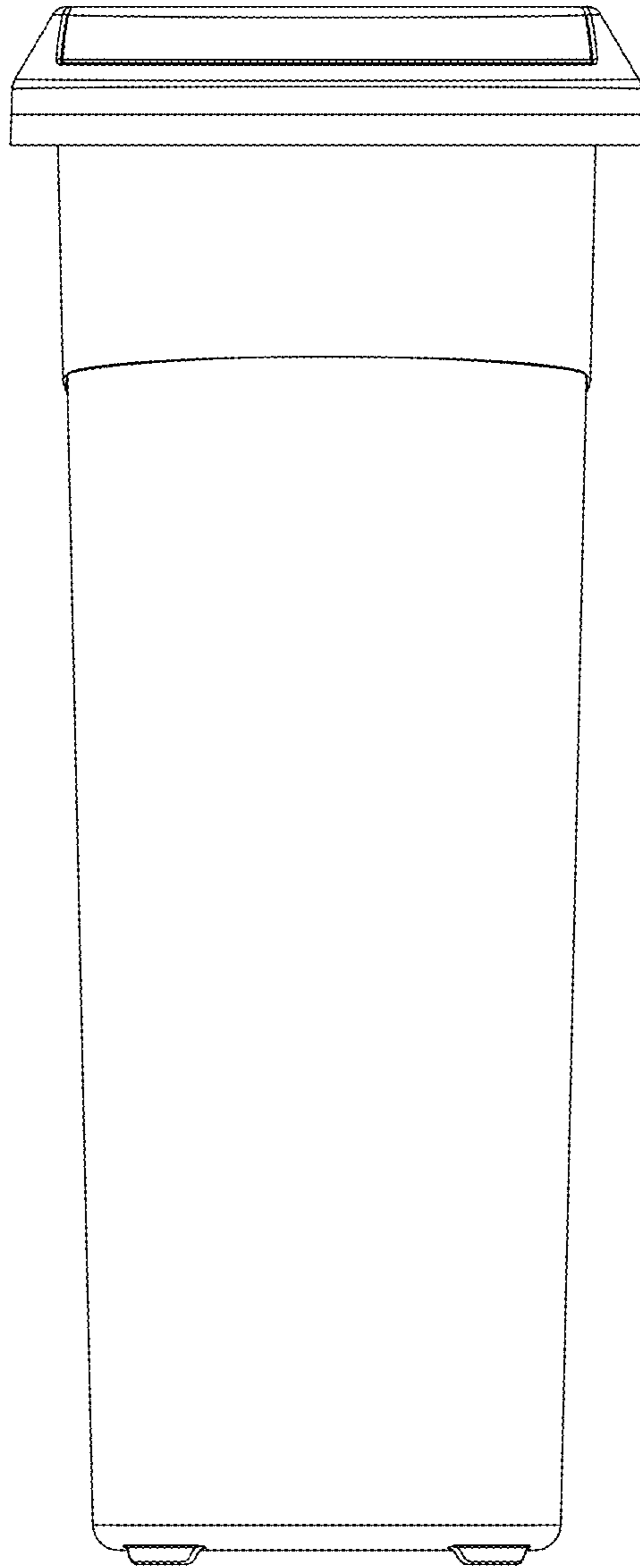


FIG. 3

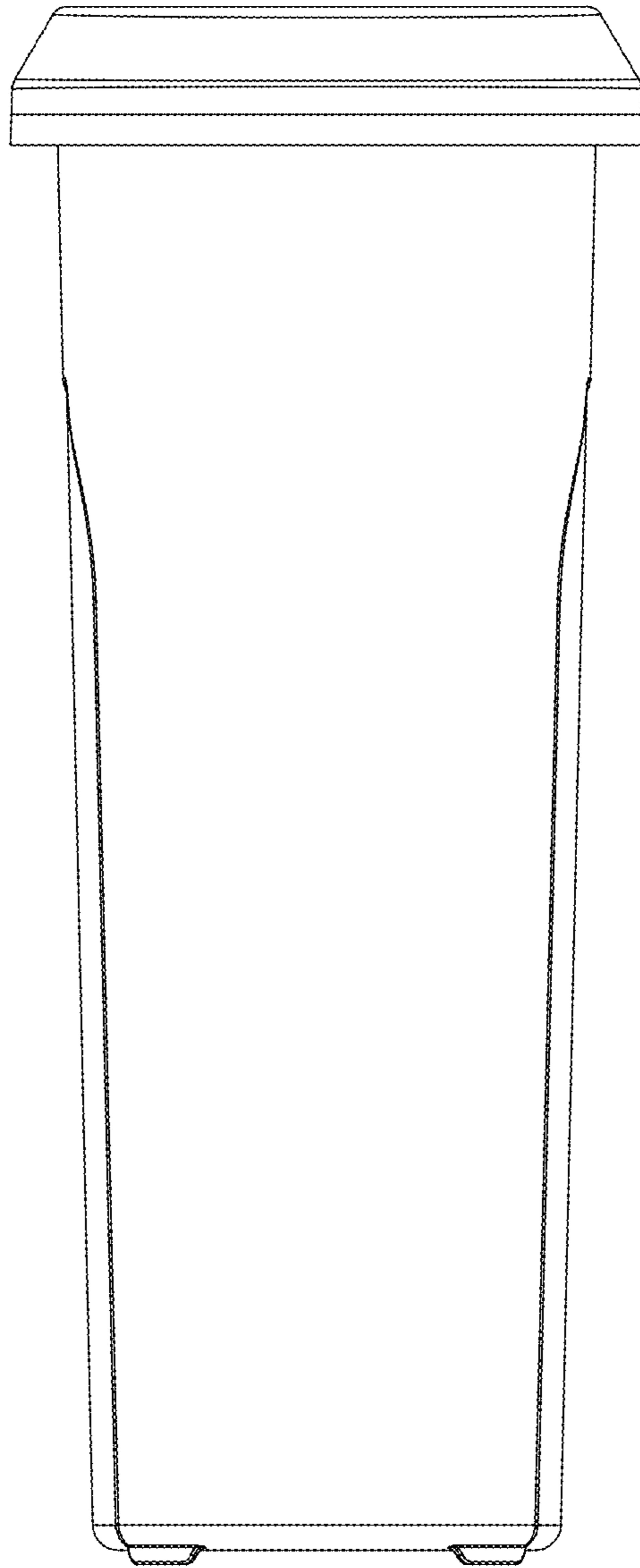


FIG. 4

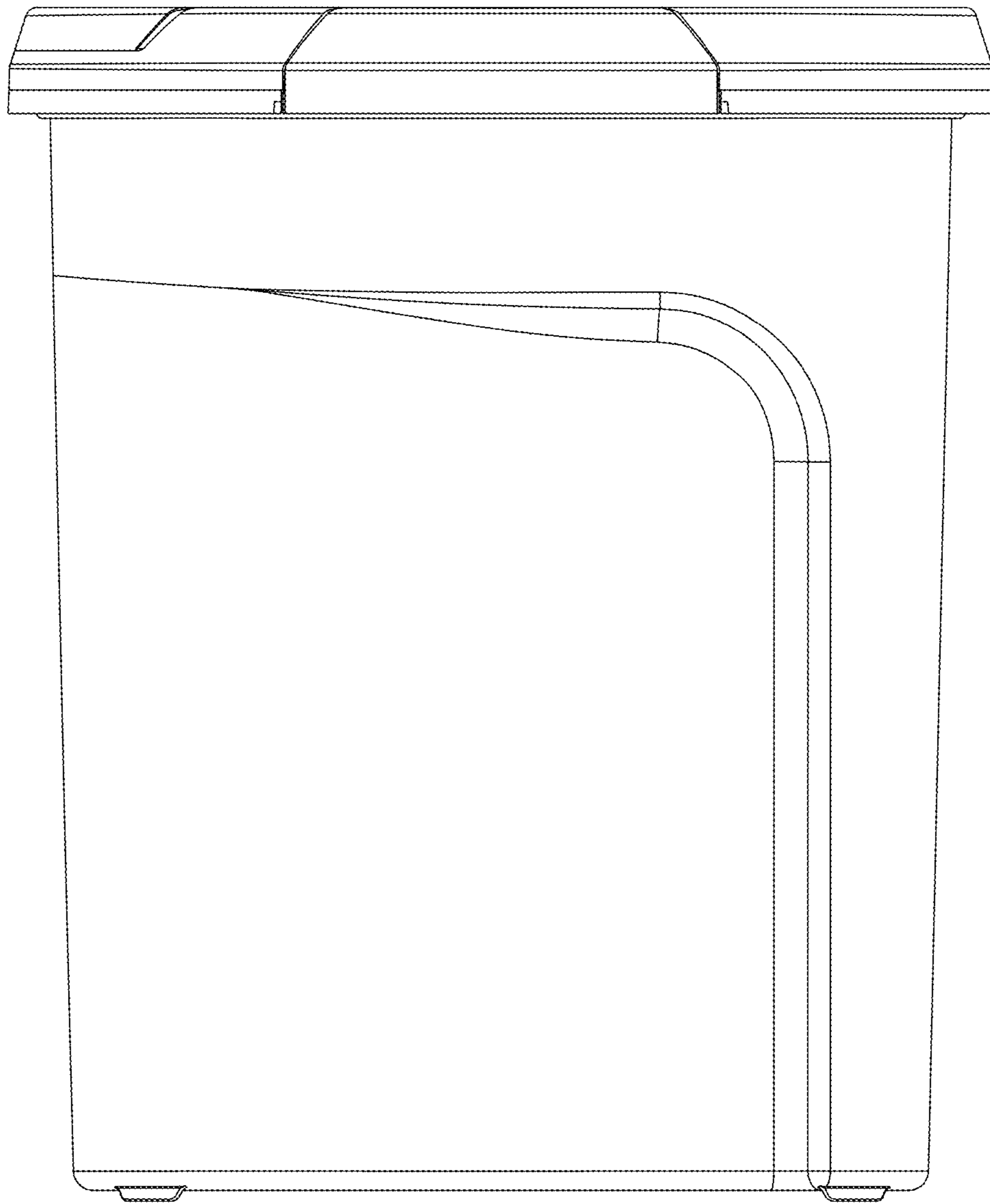


FIG. 5

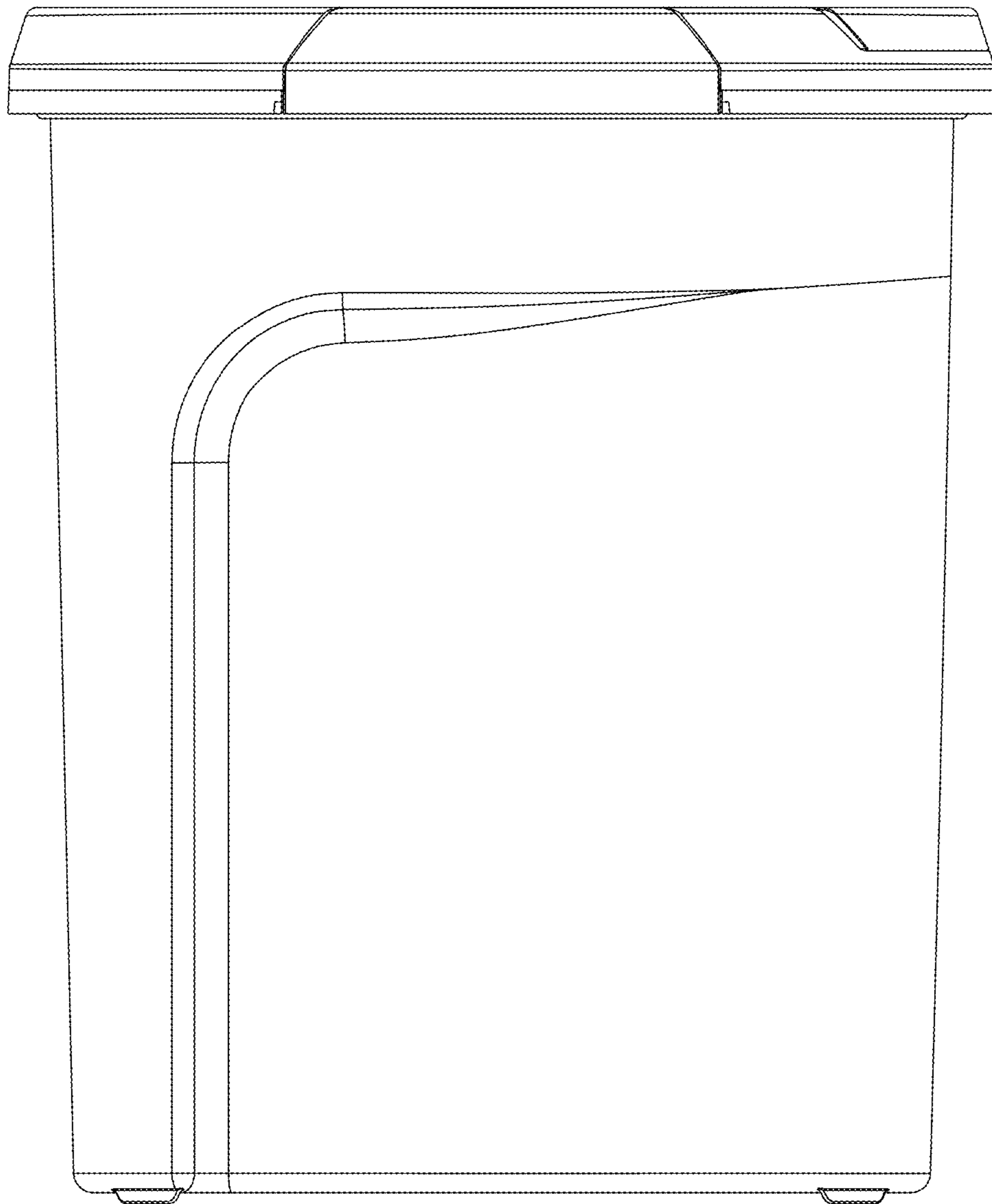


FIG. 6



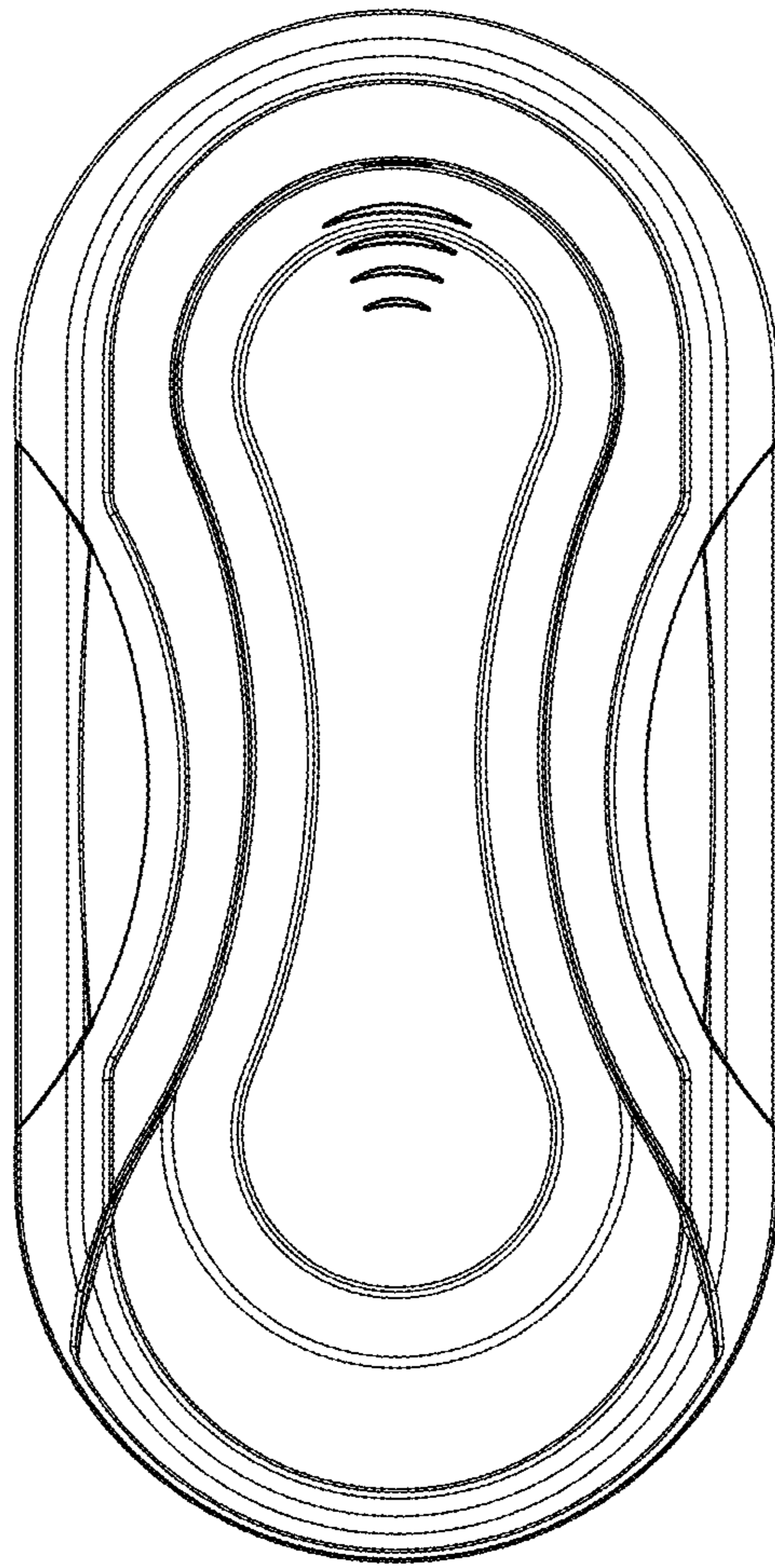


FIG. 7

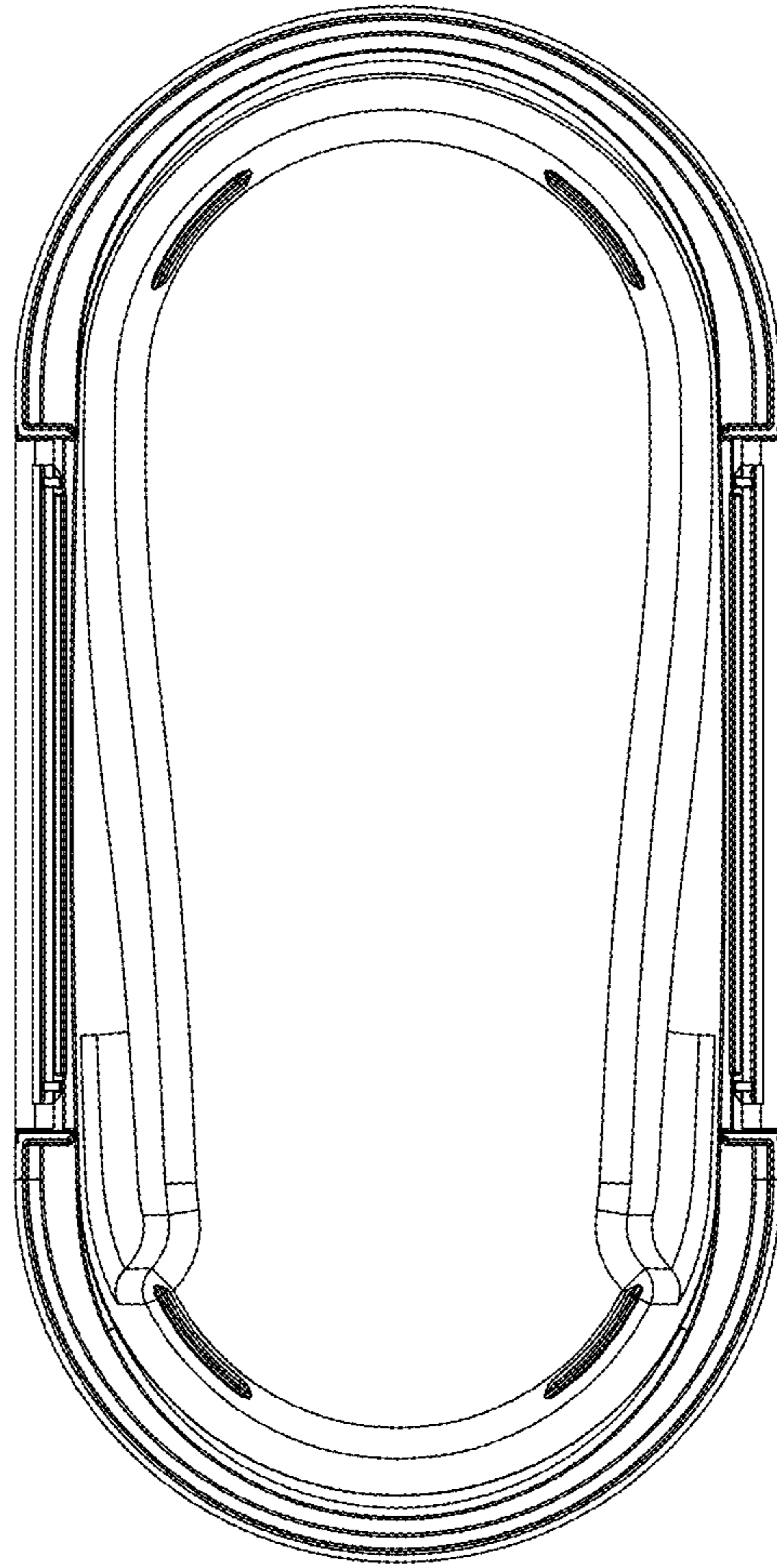


FIG. 8

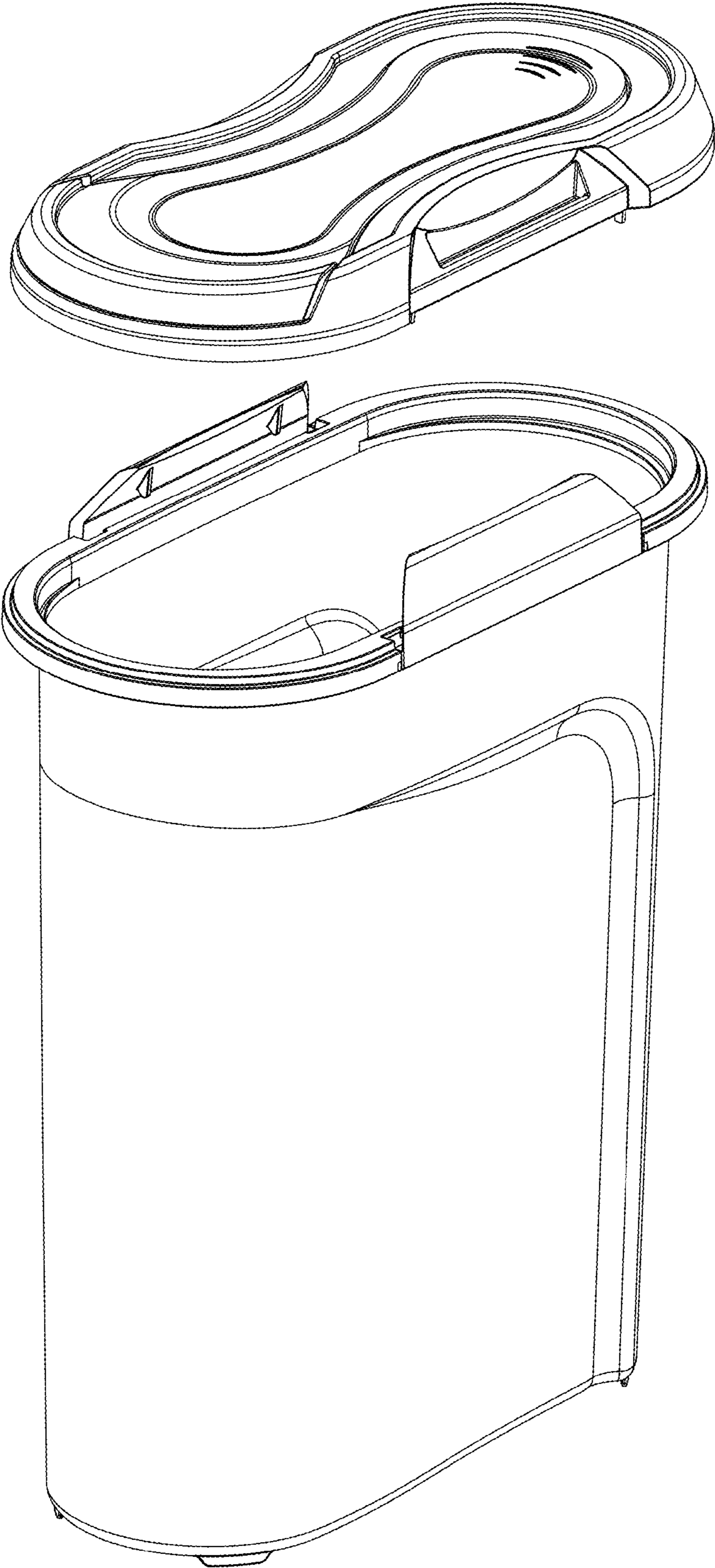


FIG. 9

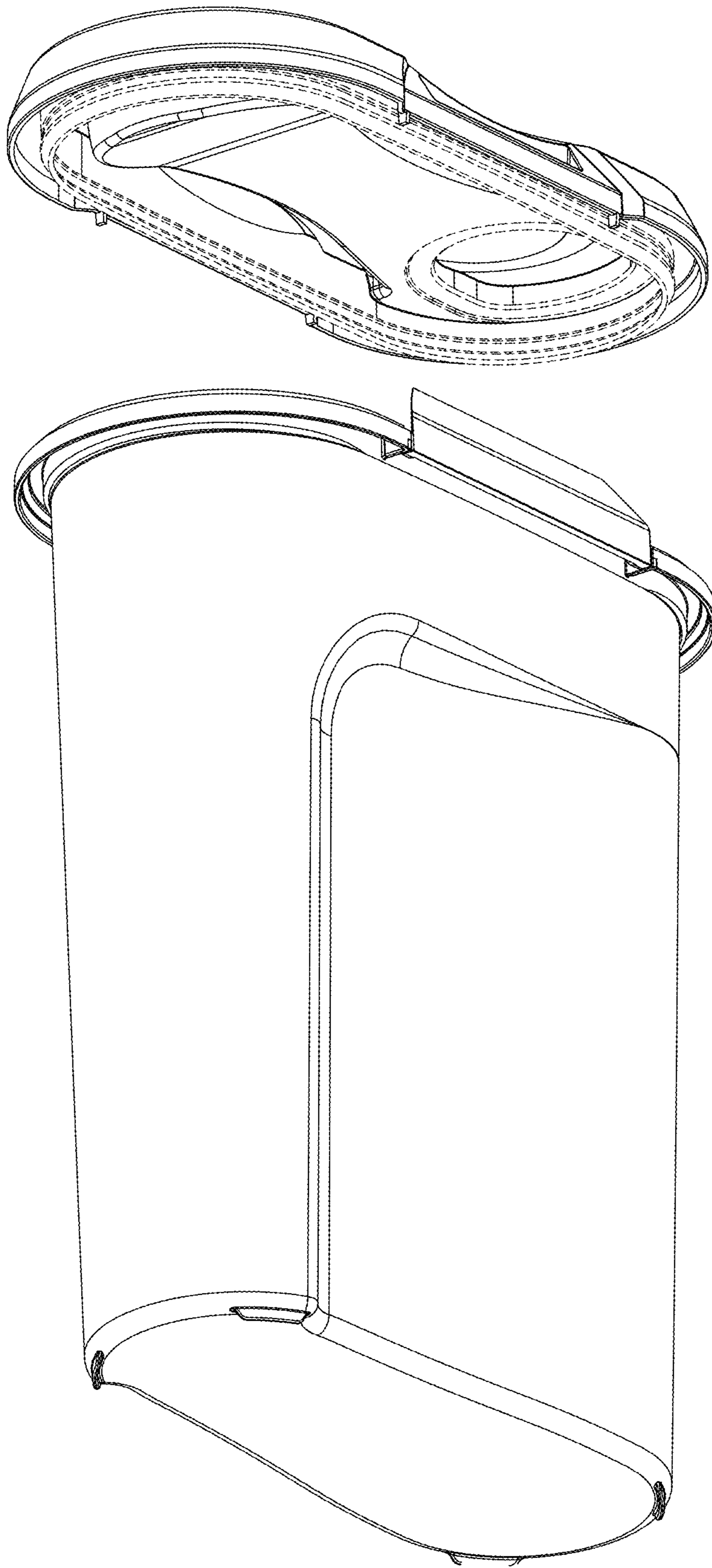


FIG. 10

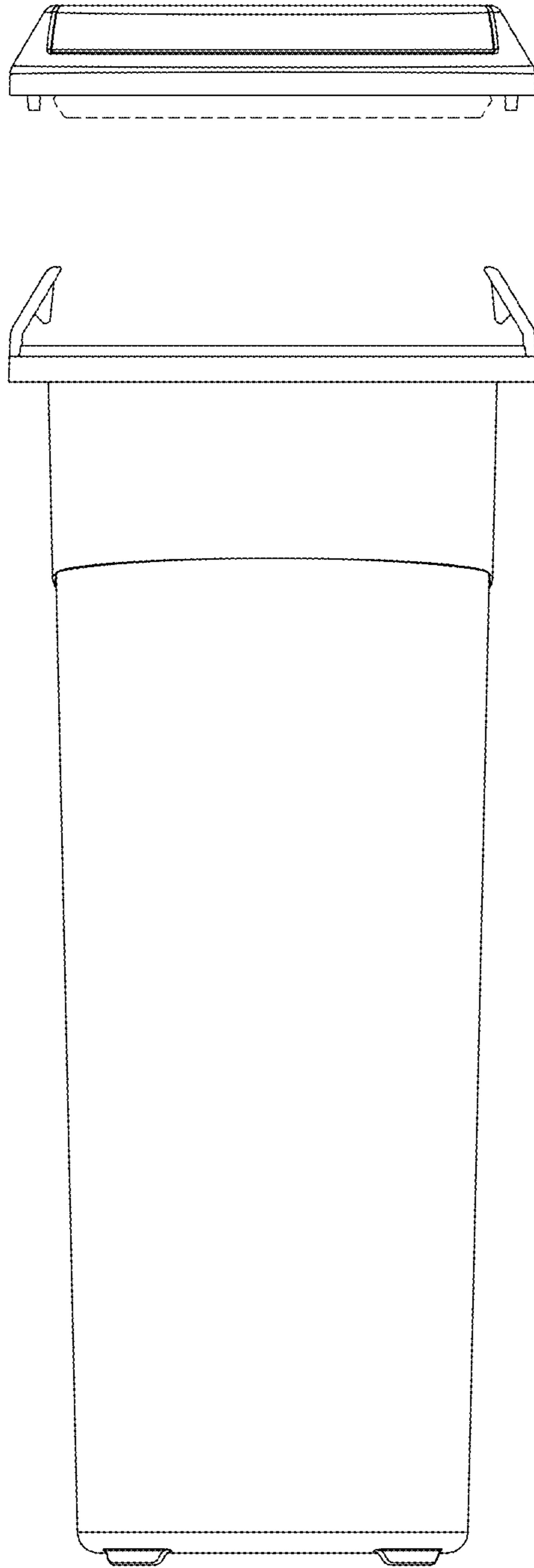


FIG. 11

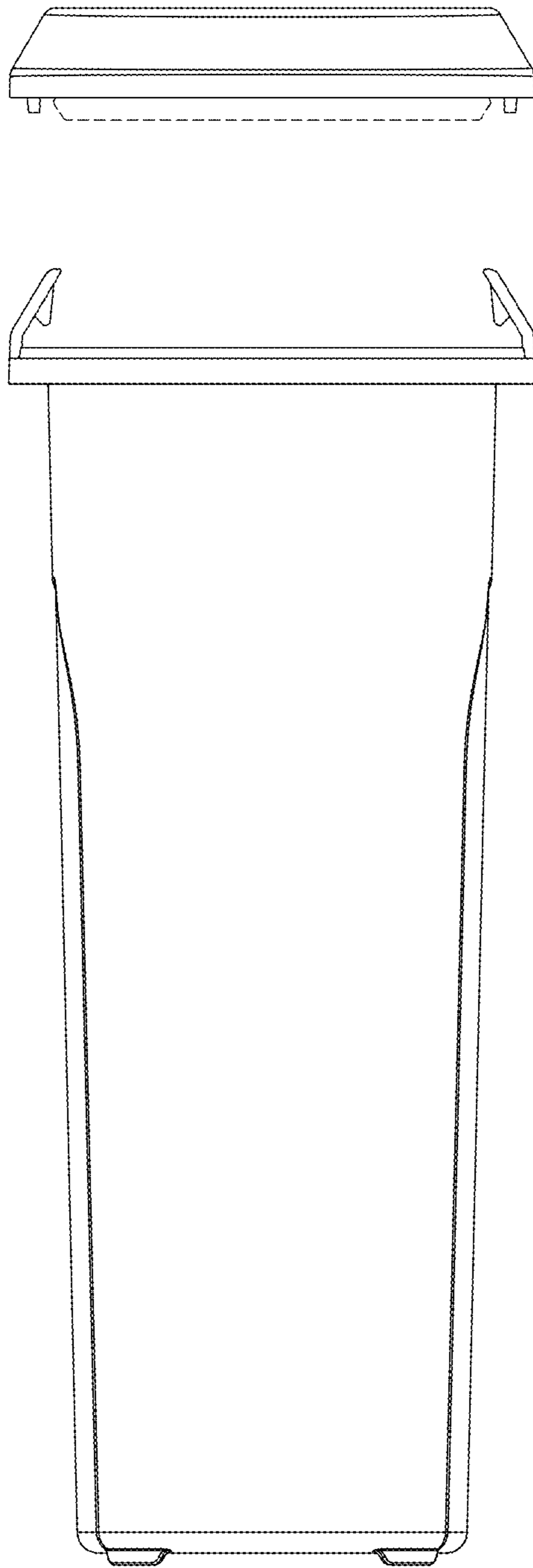


FIG. 12

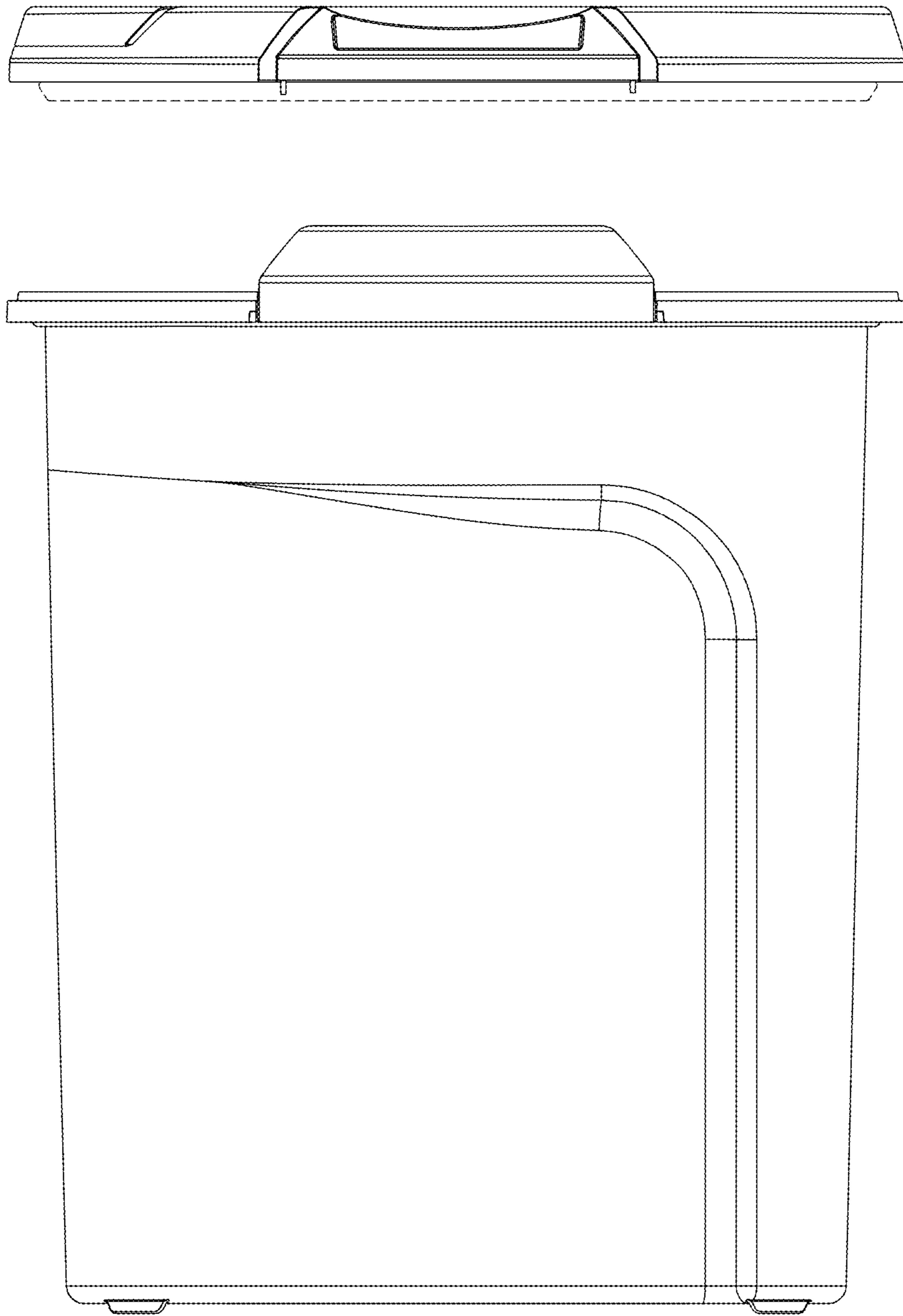


FIG. 13

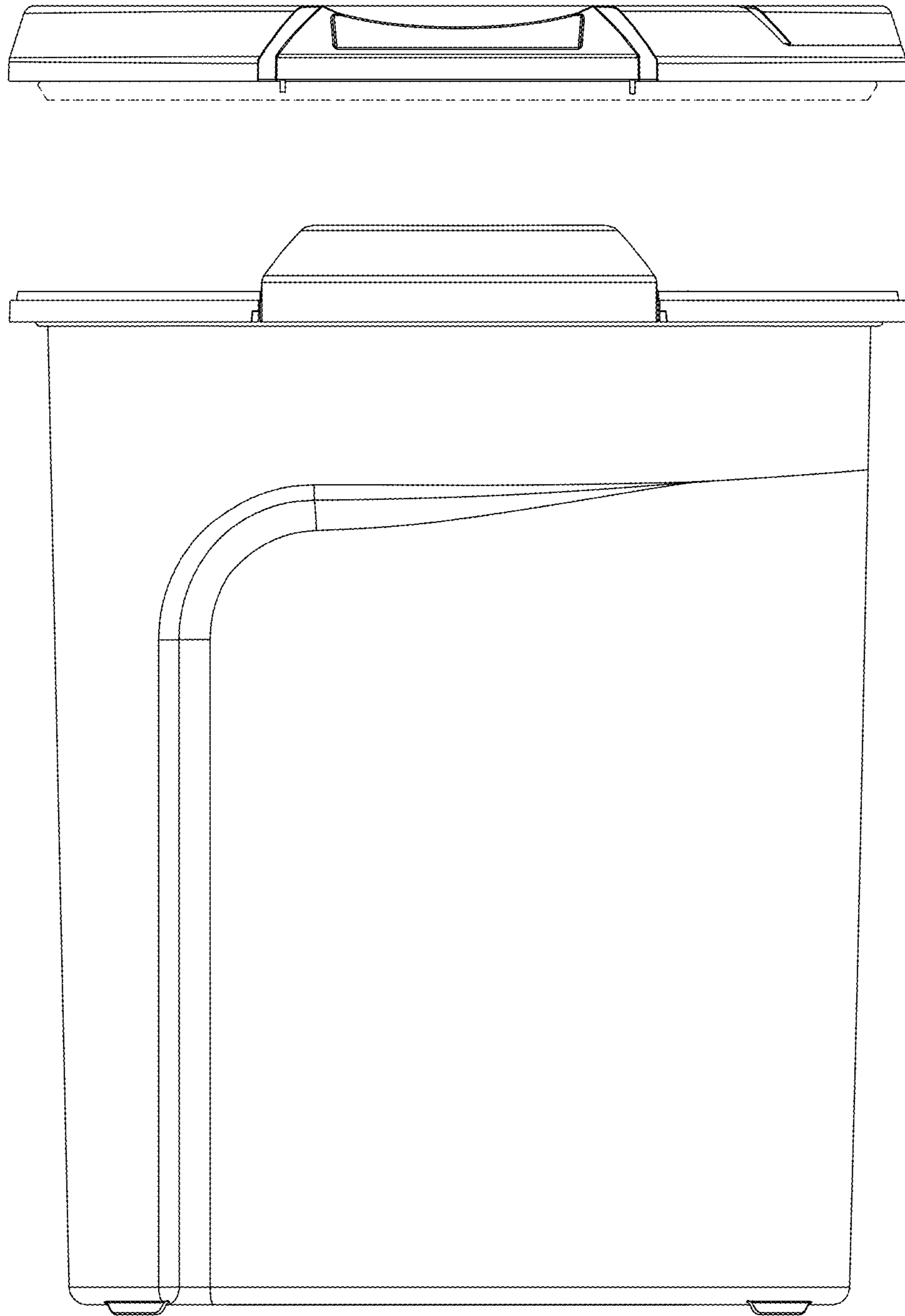


FIG. 14



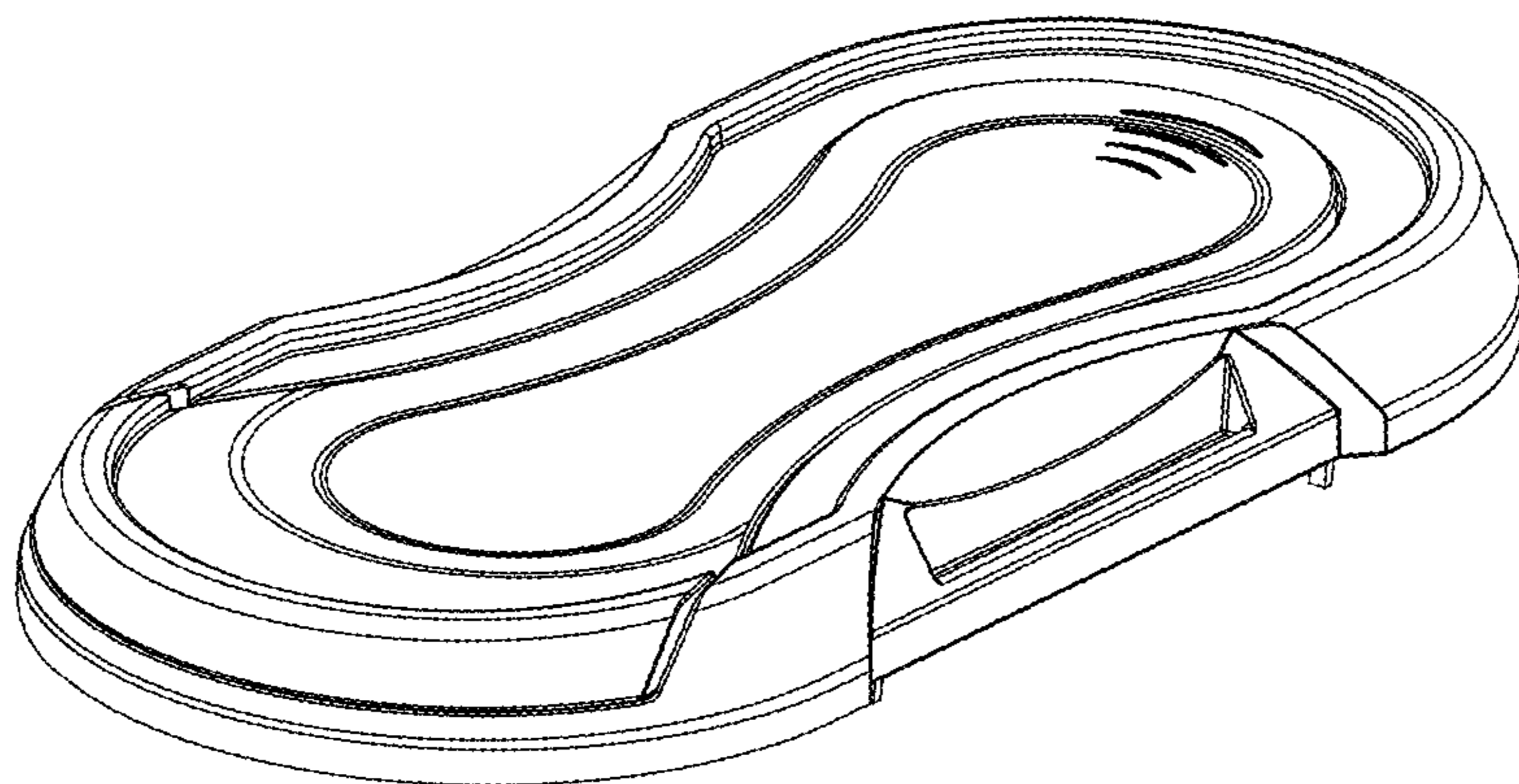


FIG. 15

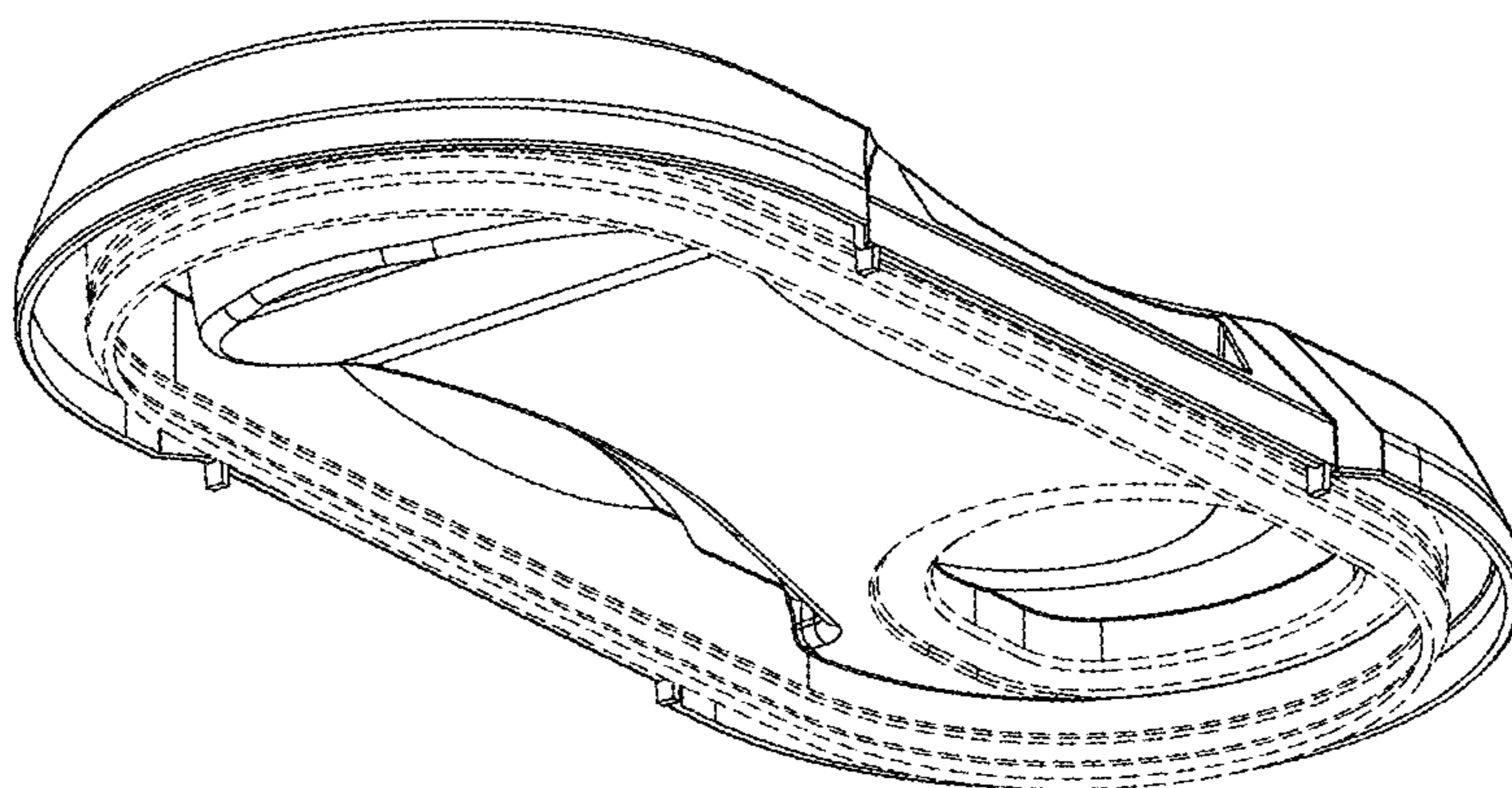


FIG. 16

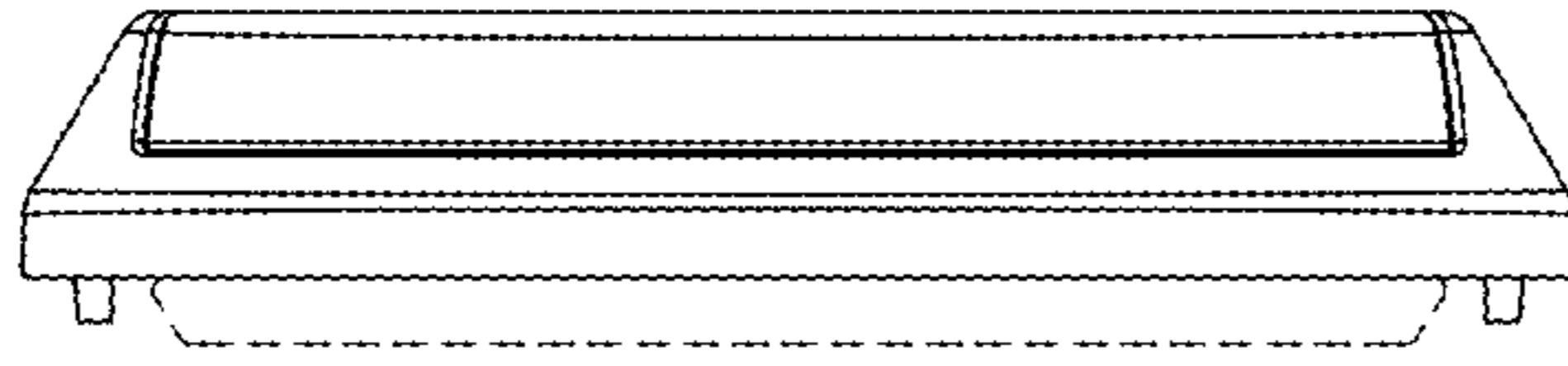


FIG. 17

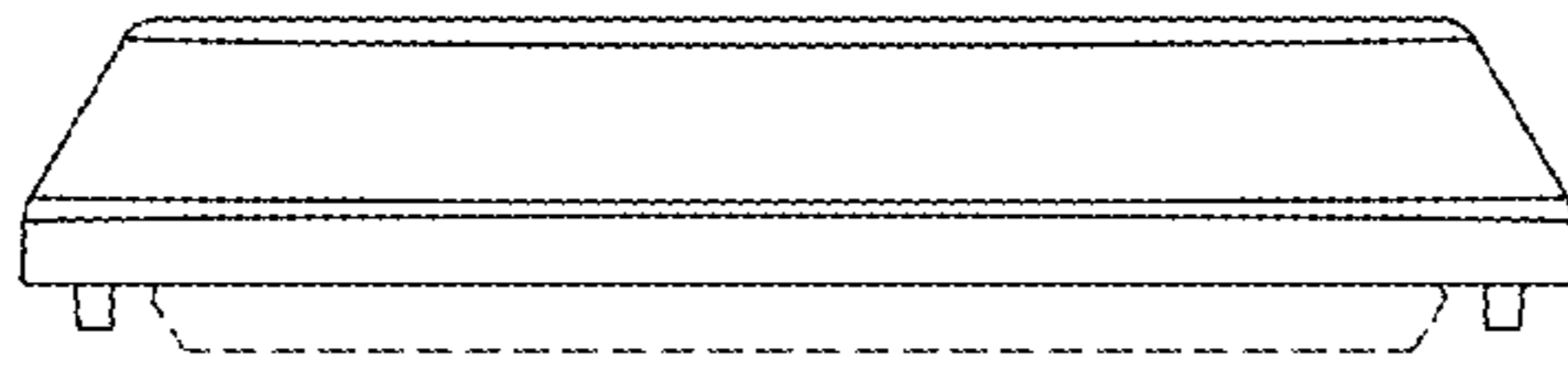


FIG. 18

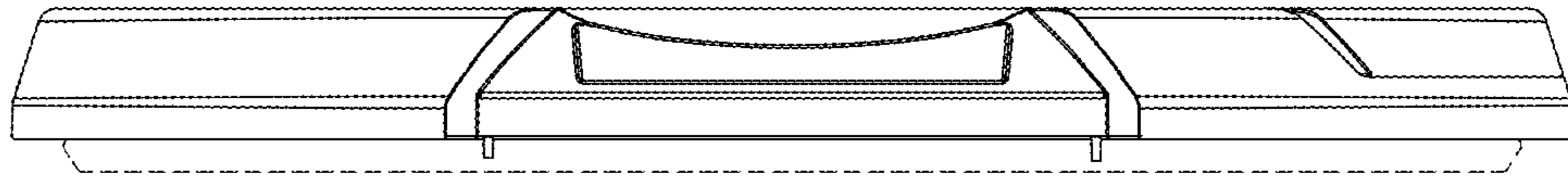


FIG. 19

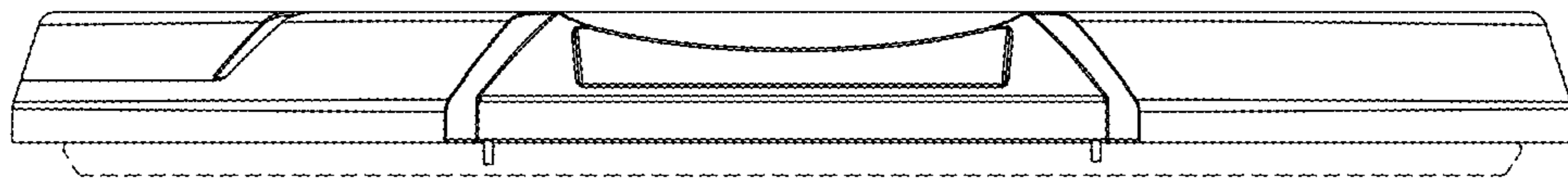


FIG. 20

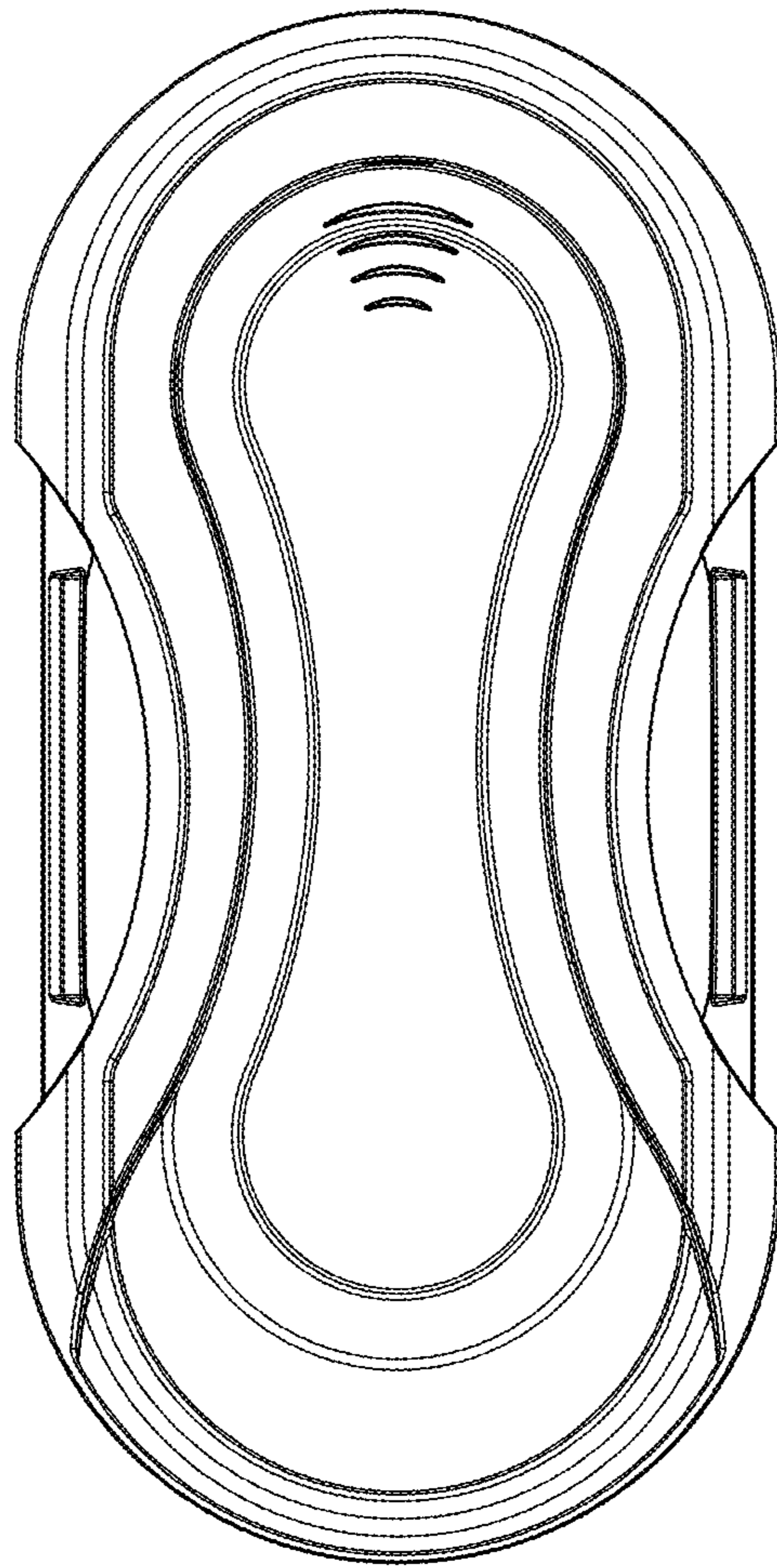


FIG. 21

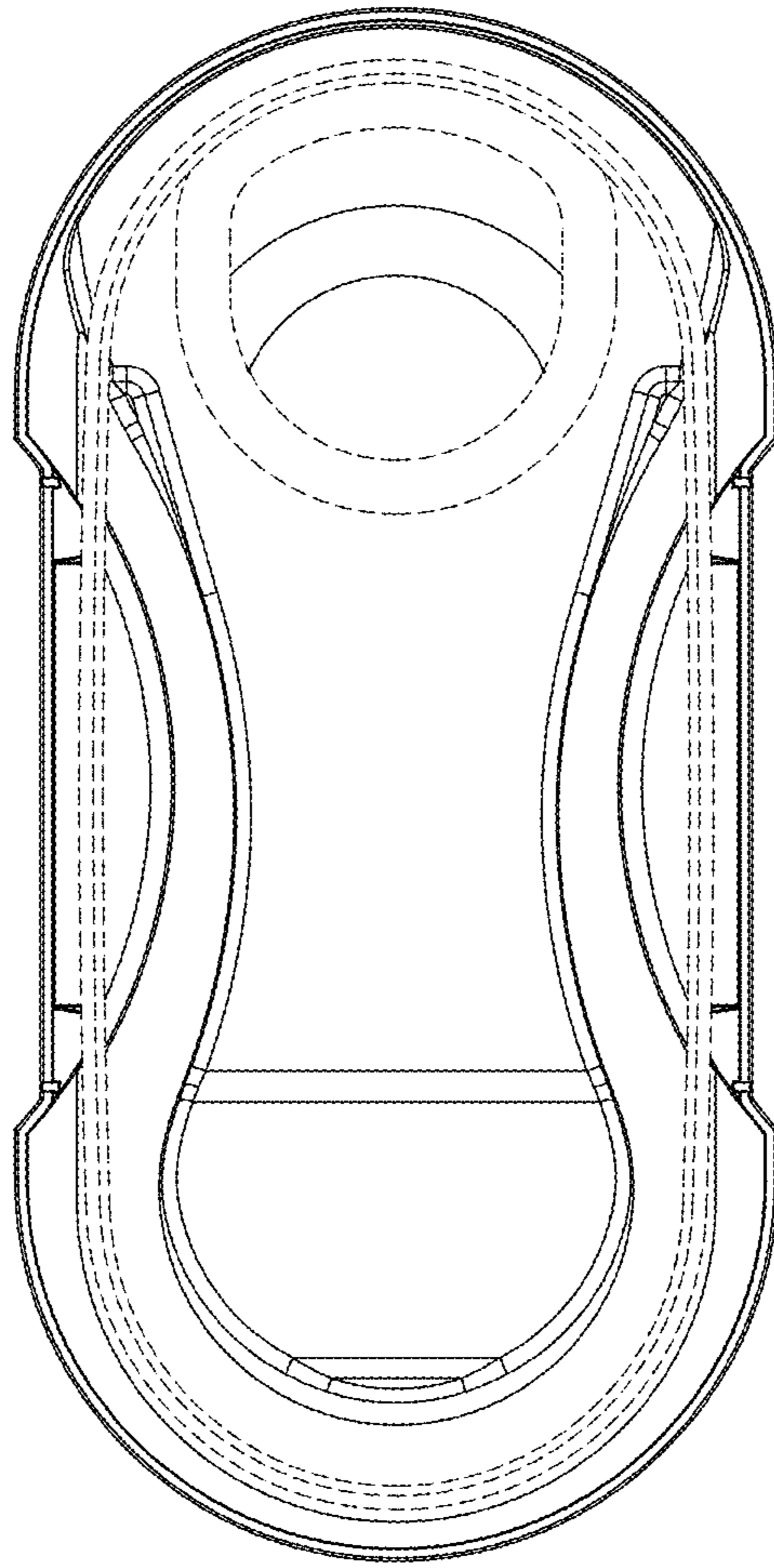


FIG. 22