



US00D892571S

(12) **United States Design Patent** (10) **Patent No.:** **US D892,571 S**
Traub et al. (45) **Date of Patent:** **** Aug. 11, 2020**

(54) **MULTI-PURPOSE CONTAINER**

(71) Applicants: **John Traub**, Brooklyn, NY (US);
Alaina Appelbaum, Brooklyn, NY (US)

(72) Inventors: **John Traub**, Brooklyn, NY (US);
Alaina Appelbaum, Brooklyn, NY (US)

(73) Assignee: **Helen of Troy Limited**, St. Michael (BB)

(**) Term: **15 Years**

(21) Appl. No.: **29/644,179**

(22) Filed: **Apr. 16, 2018**

(51) **LOC (12) Cl.** **09-07**

(52) **U.S. Cl.**
USPC **D7/629**

(58) **Field of Classification Search**
USPC D7/602, 609, 629, 630, 701, 703, 391,
D7/392.1, 397; D9/416, 424, 425, 426,
D9/430, 432, 435, 761; D19/102, 106;
D3/201, 203.6, 273
CPC ... B65D 1/26; B65D 1/40; B65D 5/24; B65D
81/34; B65D 81/3453; B65D 2581/34;
B65D 2581/3437
See application file for complete search history.

D696,075 S * 12/2013 Mashike D7/605
D722,832 S * 2/2015 Ra D7/602
D722,834 S * 2/2015 Beckman D7/629
D741,664 S * 10/2015 Kyle D7/629
D801,127 S * 10/2017 Beckman D7/629
D837,588 S * 1/2019 Croft D7/391
D860,714 S * 9/2019 Dai D7/391
2014/0103033 A1 * 4/2014 Beckman B65D 25/04
220/4.01
2014/0224799 A1 * 8/2014 Iwasaki A45C 11/20
220/254.4

* cited by examiner

Primary Examiner — Susan E Krakower

Assistant Examiner — Andrew Kerr

(74) *Attorney, Agent, or Firm* — Rankin Hill & Clark LLP

(57) **CLAIM**

The ornamental design for a multi-purpose container, as shown, and described.

DESCRIPTION

FIG. 1 is a perspective view of a new, original and ornamental design for a multi-purpose container, showing our new design;

FIG. 2 is a right side elevation view thereof;

FIG. 3 is a rear elevation view thereof;

FIG. 4 is a left side elevation view thereof;

FIG. 5 is a front elevation view thereof;

FIG. 6 is a top plan view thereof;

FIG. 7 is a bottom plan view thereof; and,

FIG. 8 is an exploded view thereof.

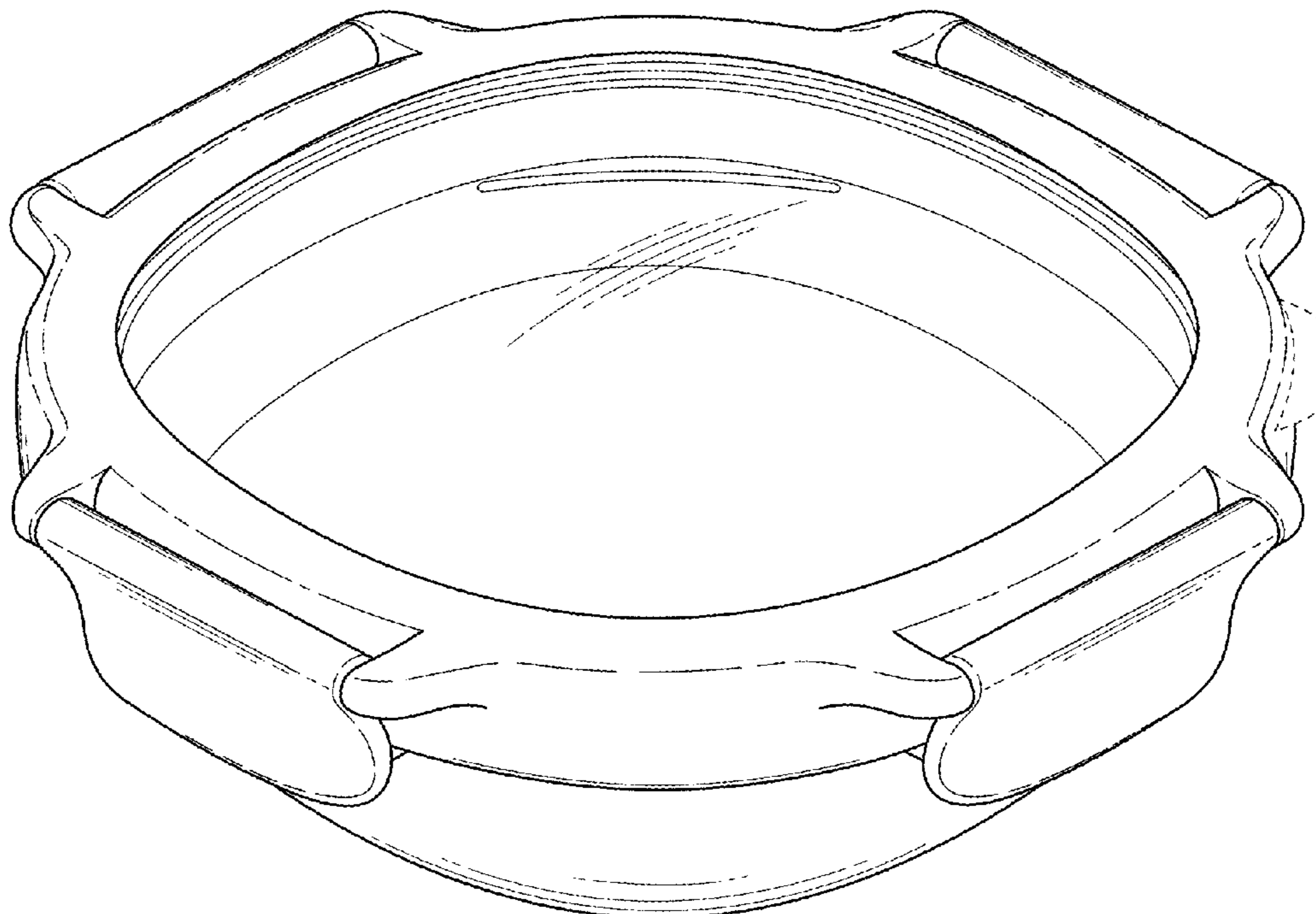
The broken lines in the drawings depict portions of the multi-purpose container that form no part of the claimed design.

(56) **References Cited**

U.S. PATENT DOCUMENTS

D615,821 S * 5/2010 Stamper D7/538
D692,281 S * 10/2013 George D7/629

1 Claim, 8 Drawing Sheets



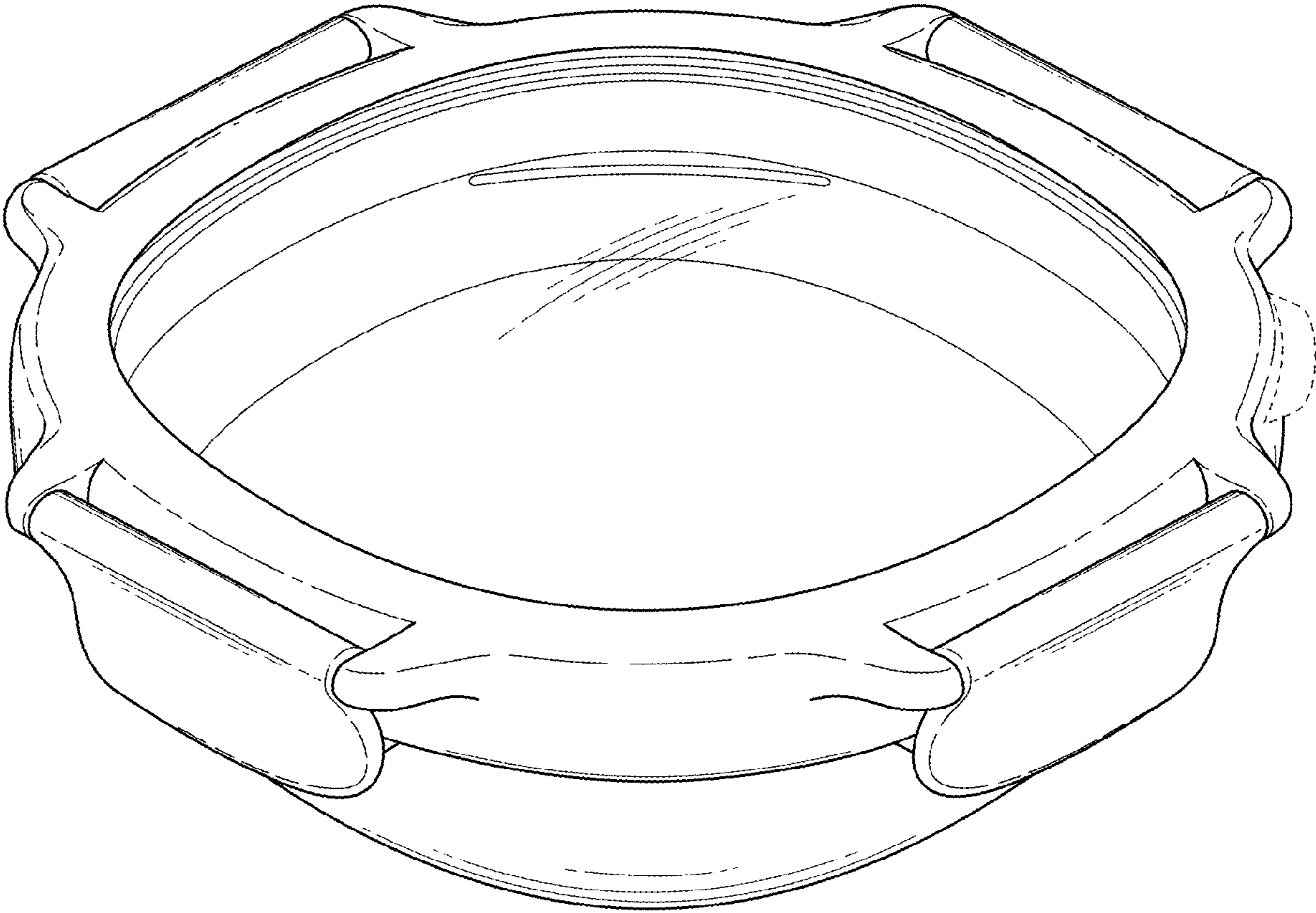


FIG. 1

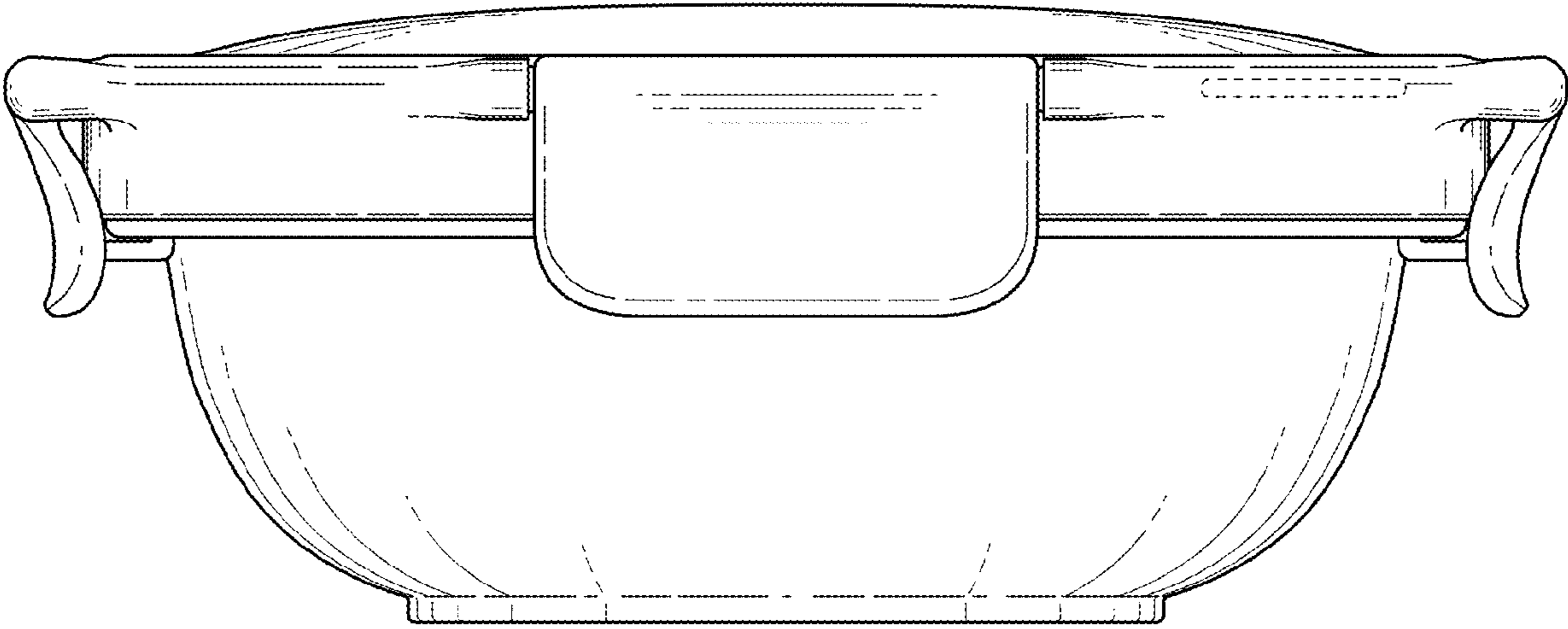


FIG. 2

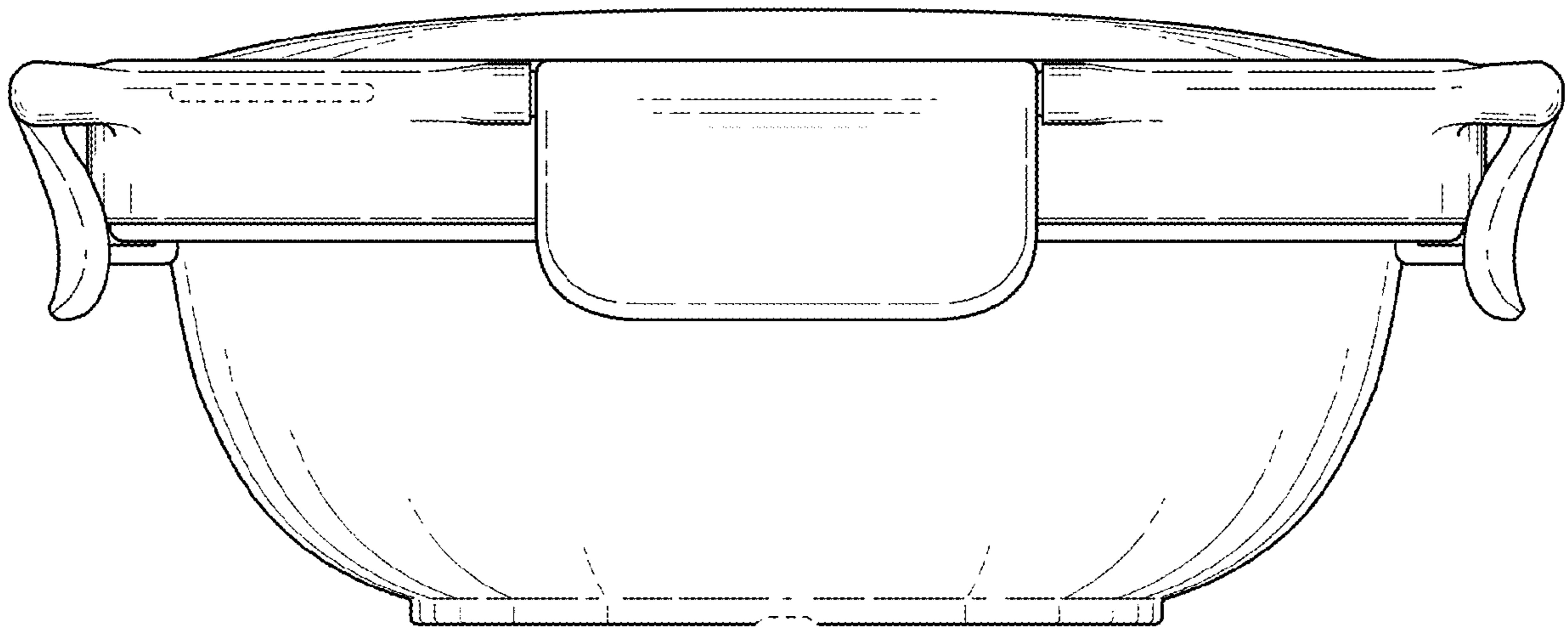


FIG. 3

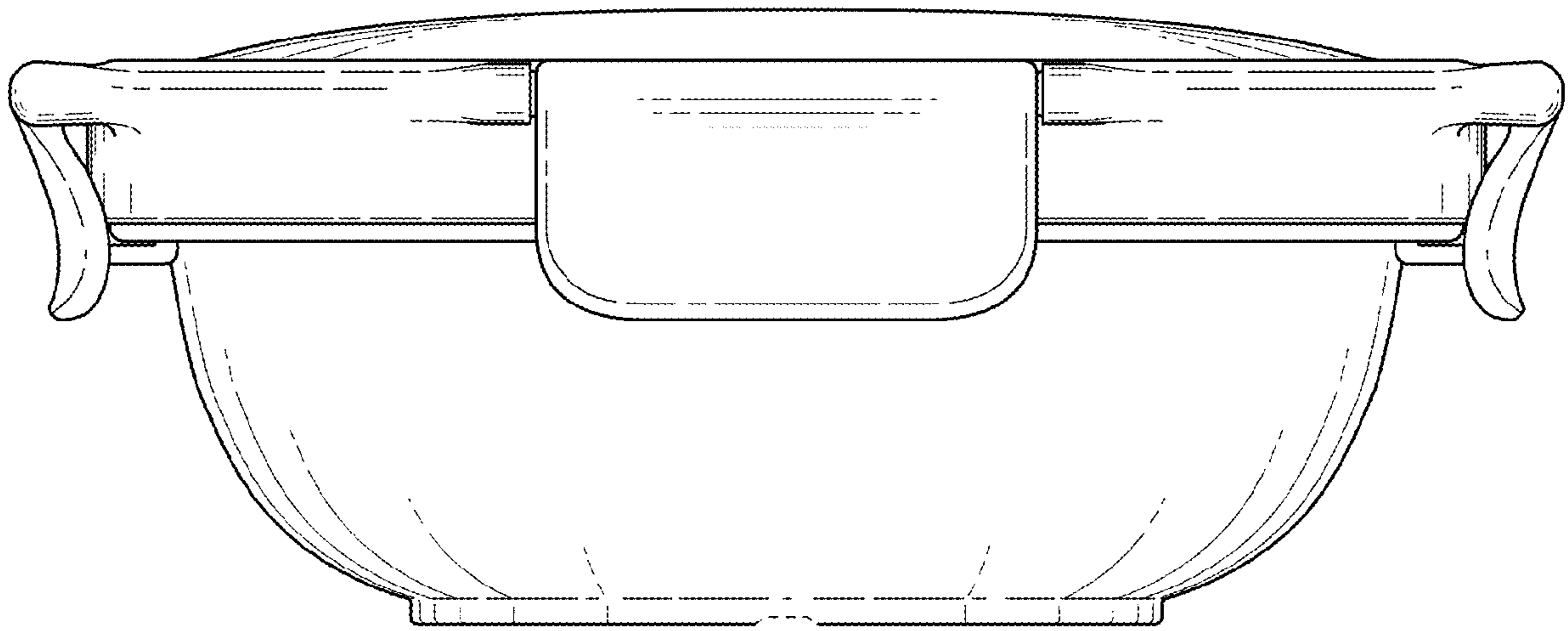


FIG. 4

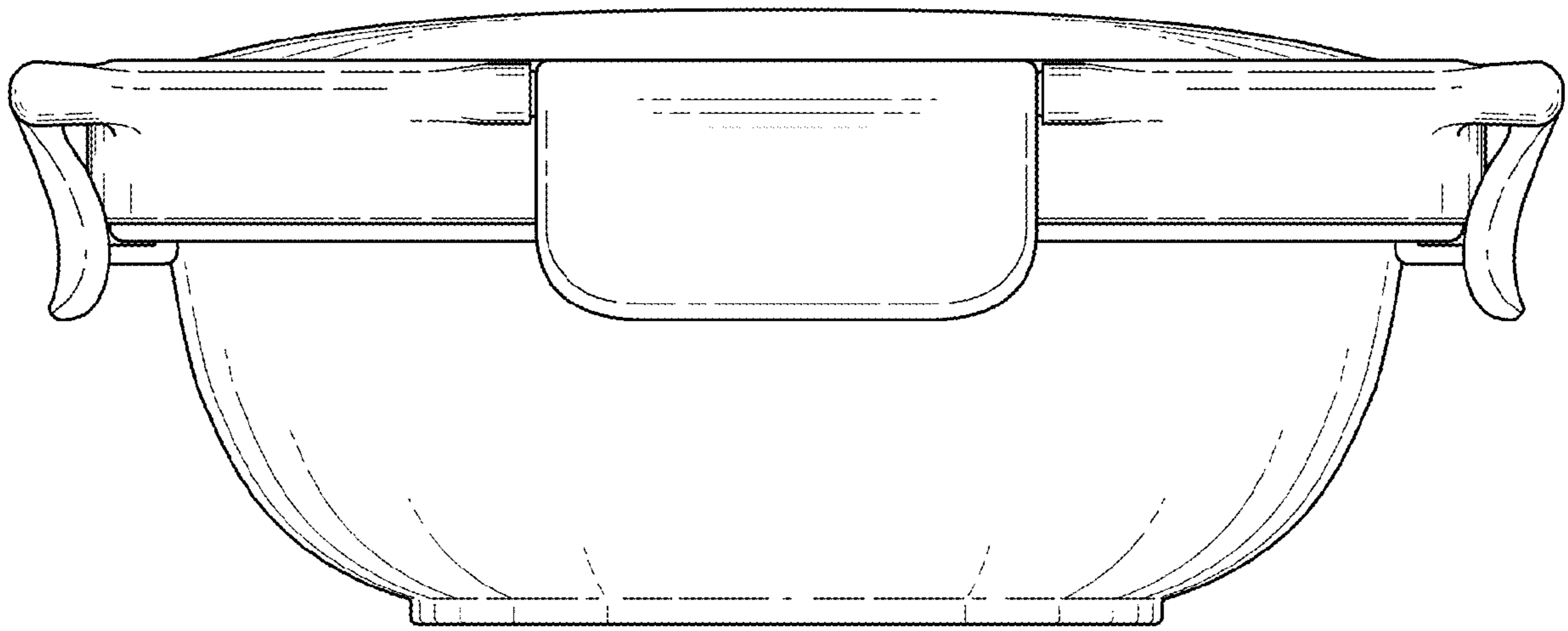


FIG. 5

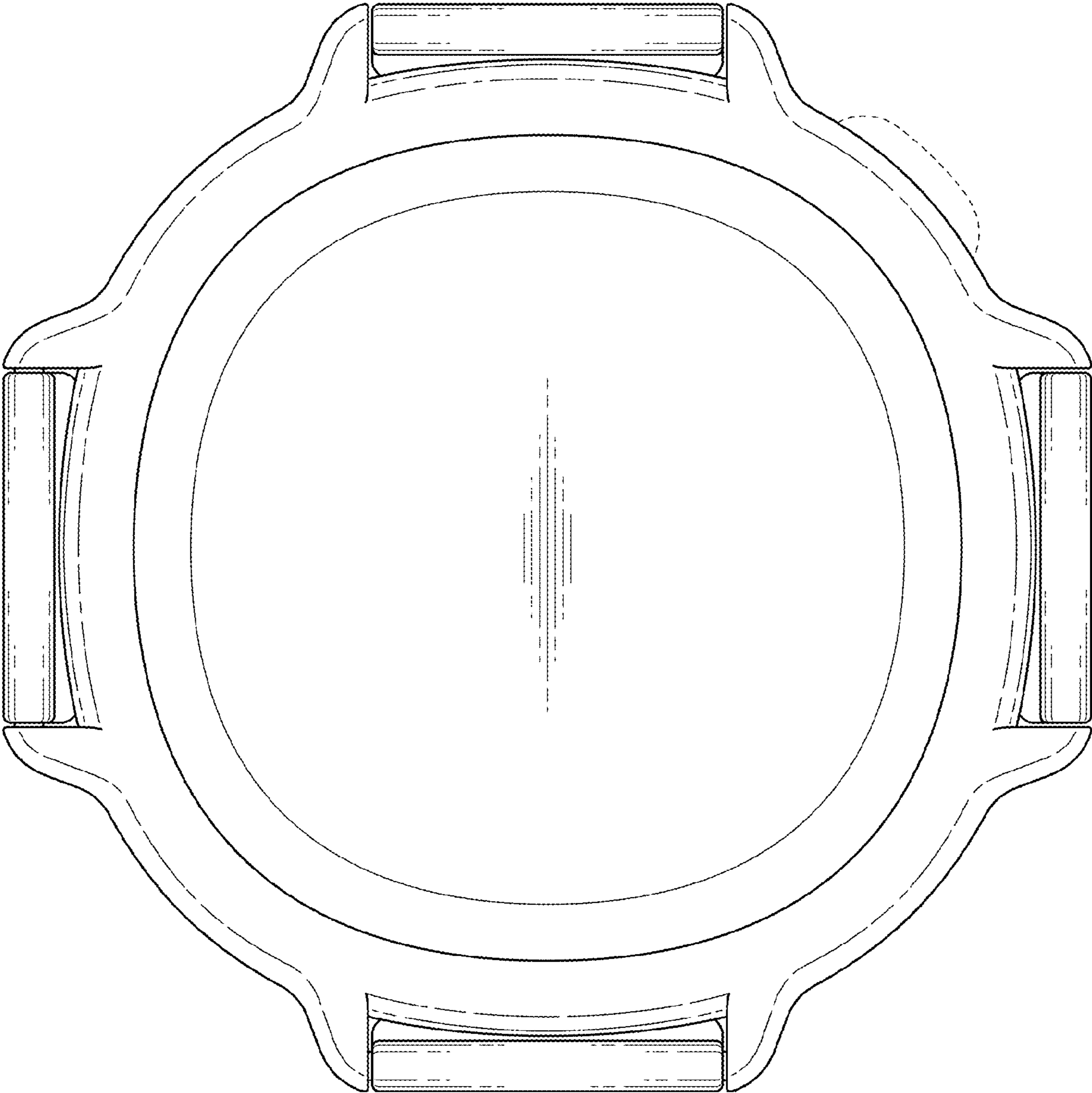


FIG. 6

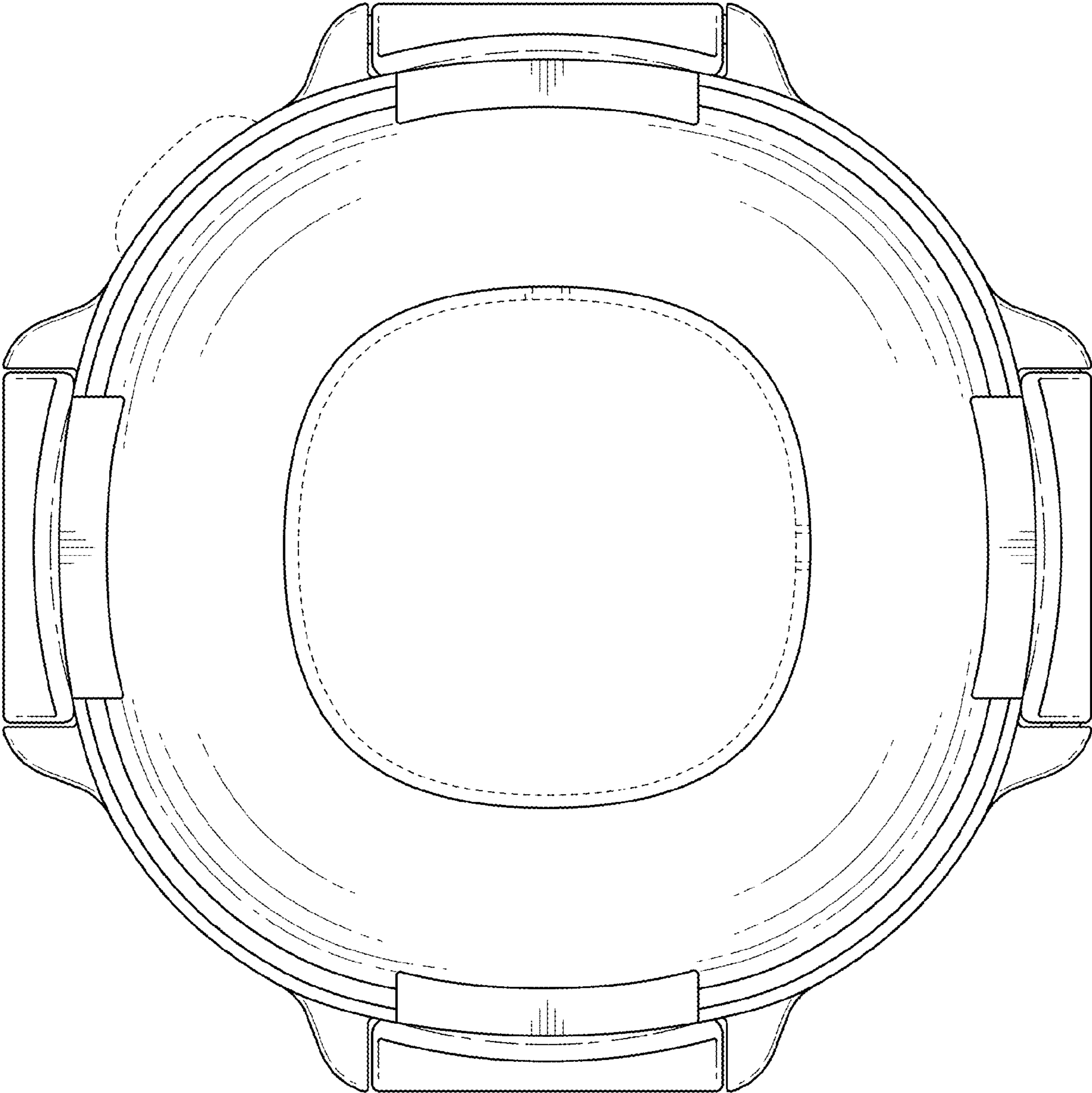


FIG. 7

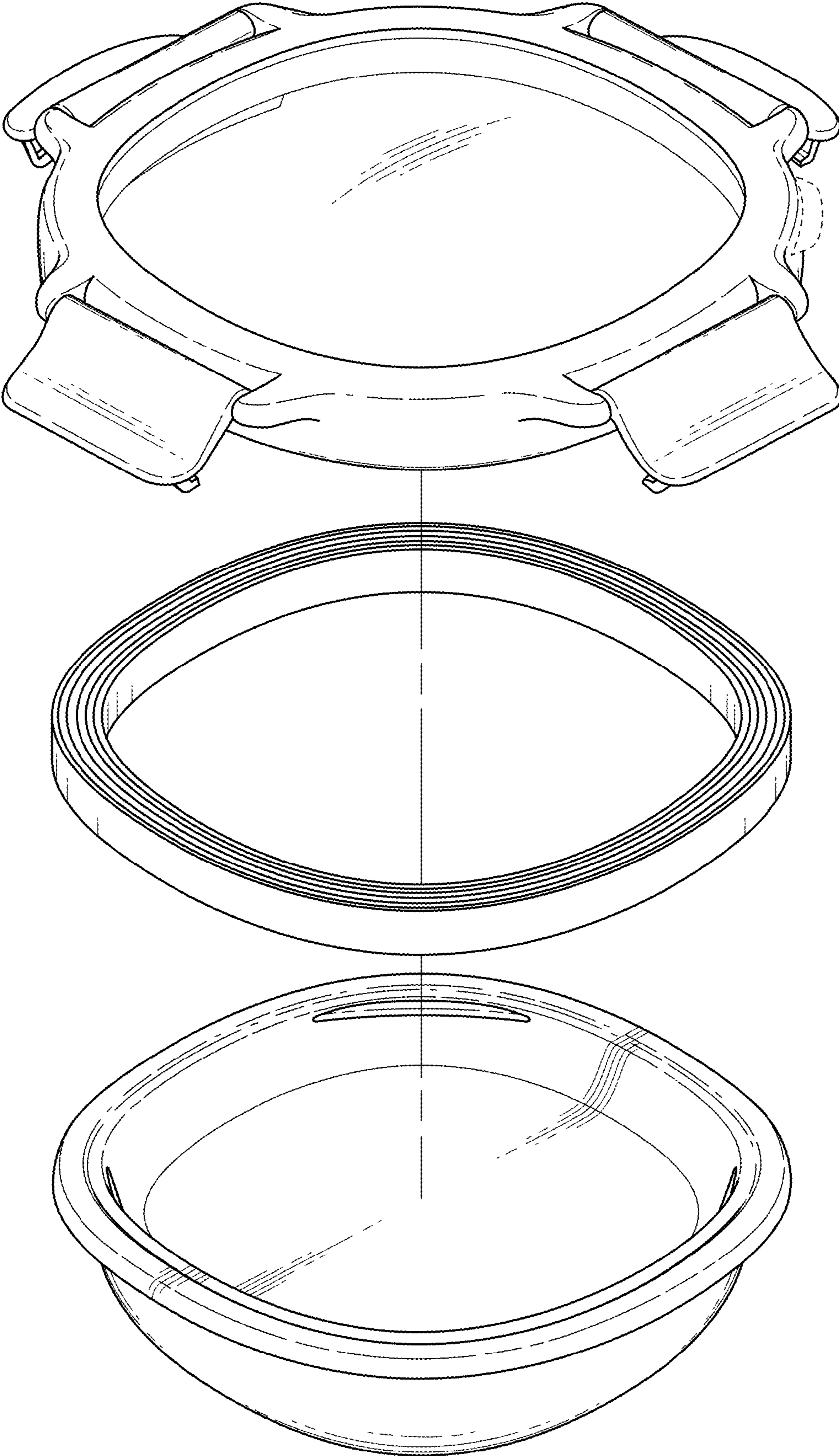


FIG. 8