



US00D892569S

(12) **United States Design Patent** (10) **Patent No.:** **US D892,569 S**  
**Haller et al.** (45) **Date of Patent:** **\*\* Aug. 11, 2020**

(54) **SANDWICH CONTAINER**

(71) Applicants: **Adam Lee Haller**, Port Orange, FL (US); **Desiree Haller**, Port Orange, FL (US)

(72) Inventors: **Adam Lee Haller**, Port Orange, FL (US); **Desiree Haller**, Port Orange, FL (US)

(73) Assignee: **SubSafe, Inc.**, Port Orange, FL (US)

(\*\*) Term: **15 Years**

(21) Appl. No.: **29/637,529**

(22) Filed: **Feb. 20, 2018**

(51) **LOC (12) Cl.** ..... **09-07**

(52) **U.S. Cl.**  
USPC ..... **D7/629; D9/529**

(58) **Field of Classification Search**  
USPC ..... D7/601, 602, 605, 608, 612, 619.1, 629, D7/591, 300.1, 509-511, 523, 538, 540; D9/772, 516, 519, 529, 549, 435, 454, D9/905, 424; D3/203.1, 203.2, 202, 263, D3/265, 266; D21/385, 392  
CPC ..... A47G 19/22; A47G 19/2205; A47G 19/2266; A47J 41/02; A47J 41/022; A47J 41/024; A47J 41/026; A47J 41/028; A47J 41/00; A47J 41/0077; B65D 47/066; B65D 1/02

See application file for complete search history.

(56) **References Cited**

**U.S. PATENT DOCUMENTS**

1,712,496	A	5/1929	Goertz
1,931,765	A	10/1933	Leever
2,201,467	A	5/1940	Bloom
2,340,037	A	1/1944	Irving
2,577,577	A	12/1951	Groh
2,707,552	A	5/1955	Matthiesen
2,778,045	A	1/1957	Bly
D206,244	S	11/1966	Coy

(Continued)

**OTHER PUBLICATIONS**

SubSafe container | posted at Amazon.com, posted on May 12, 2018, © 1996-2019 Amazon.com, [online], [site visited Dec. 4, 2018]. Available from Internet, <URL: https://www.amazon.com/SubSafe-Sandwich-Plastic-Container-Coolers/dp/B079SHJ5HL/ref=cm\_cr\_arp\_d\_product\_top?ie=UTF8> (Year: 2018).\*

(Continued)

*Primary Examiner* — Susan E Krakower

*Assistant Examiner* — Andrew Kerr

(74) *Attorney, Agent, or Firm* — Allen Dyer Doppelt & Gilchrist, PA

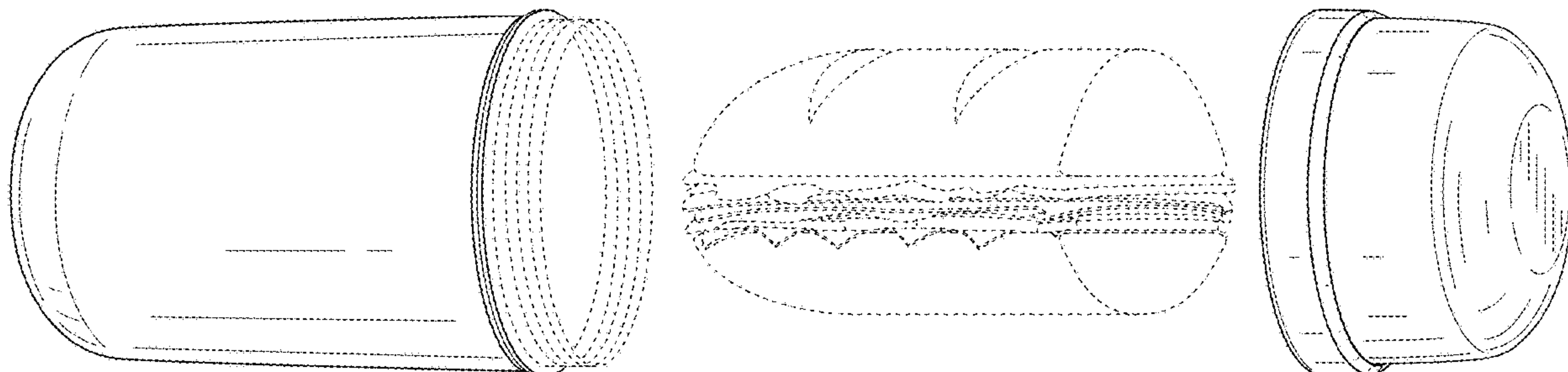
(57) **CLAIM**

The ornamental design for a sandwich container, as shown and described.

**DESCRIPTION**

FIG. 1 is an exploded perspective view of a sandwich container, showing our new design, in use condition; FIG. 2 is a perspective view thereof; FIG. 3 is a side view thereof, the other side views being identical; FIG. 4 is an end view thereof, the opposite end view being identical; FIG. 5 is an exploded perspective view of a second embodiment of a sandwich container, showing our new design, in use condition; FIG. 6 is a perspective view thereof; FIG. 7 is a side view thereof, the other side views being identical; and, FIG. 8 is an end view thereof, the opposite end view being identical. The broken lines in the drawings depict portions and environmental structure of the sandwich container that form no part of the claimed design.

**1 Claim, 5 Drawing Sheets**



(56)

References Cited

U.S. PATENT DOCUMENTS

3,345,265 A 10/1967 Grodberg  
 3,567,085 A 3/1971 Flores  
 3,702,653 A 11/1972 Mottin  
 D230,954 S 3/1974 Gregoriotti  
 4,281,763 A 8/1981 Pace  
 D261,105 S 10/1981 Schwartz  
 D262,438 S 12/1981 Sears  
 4,346,815 A 8/1982 Raymor  
 4,393,974 A 7/1983 Levesque  
 4,444,324 A \* 4/1984 Grenell ..... B65D 25/04  
 206/545  
 D274,471 S 6/1984 Widmer  
 D284,252 S 6/1986 Lichtenvort  
 4,601,896 A 7/1986 Nugent  
 4,675,174 A 6/1987 Eckenhoff  
 D302,384 S 7/1989 Holewinski  
 4,844,984 A 7/1989 Eckenhoff  
 4,966,767 A 10/1990 Eckenhoff  
 5,052,592 A \* 10/1991 Wilken ..... B65D 83/0033  
 222/212  
 5,074,426 A 12/1991 Goodhart  
 D340,618 S 10/1993 Zimmerman  
 D345,918 S 4/1994 Chevassus  
 5,332,096 A 7/1994 Battaglia  
 D349,238 S 8/1994 Haber  
 5,665,462 A 9/1997 Dewar  
 D396,639 S \* 8/1998 Pedersen-Rask ..... D9/454  
 D438,376 S \* 3/2001 Marshall ..... D3/257  
 D464,425 S 10/2002 Meron  
 D488,675 S \* 4/2004 Moore ..... D7/608  
 D497,778 S 11/2004 Rich  
 D499,653 S 12/2004 Karim  
 D539,265 S 3/2007 Tompkins  
 D584,961 S 1/2009 Yakoby  
 D585,298 S 1/2009 Yakoby  
 D589,361 S 3/2009 Murata

D594,332 S 6/2009 Nerubay  
 D638,739 S 5/2011 Rockefeller  
 D639,180 S 6/2011 Shiota  
 D661,192 S 6/2012 Hwang  
 D691,480 S 10/2013 Shukla  
 8,597,236 B2 12/2013 Nassirl  
 D720,809 S 1/2015 Jour  
 D721,589 S \* 1/2015 Sturdevant ..... D9/504  
 D736,036 S \* 8/2015 Dash ..... D7/541  
 D739,740 S 9/2015 Sturdevant  
 D750,885 S \* 3/2016 Chazel ..... D3/203.2  
 D778,173 S 2/2017 Pisarevsky  
 D808,734 S \* 1/2018 Beckman ..... D7/608  
 D809,347 S \* 2/2018 Silsby ..... D7/608  
 D817,115 S \* 5/2018 Peng ..... D7/629  
 D838,141 S \* 1/2019 Bertsch ..... D7/510  
 D841,381 S \* 2/2019 Karsten ..... D7/300.1  
 D843,176 S \* 3/2019 Thompson ..... D7/523  
 D845,083 S \* 4/2019 Owen ..... D7/608  
 D846,354 S \* 4/2019 Omdahl, II ..... D7/510  
 D850,781 S \* 6/2019 Danopoulos ..... D3/203.1  
 D864,502 S \* 10/2019 Costanz ..... D30/161  
 2001/0005520 A1 6/2001 Costantini  
 2003/0161985 A1 8/2003 Lauer  
 2008/0035646 A1 2/2008 Smith  
 2010/0200438 A1 8/2010 Davies  
 2012/0132558 A1 5/2012 Busch  
 2013/0186799 A1 7/2013 Stam

OTHER PUBLICATIONS

The Container Store, Pill-Capsule Shaped Holder, online, retrieved Sep. 29, 2017, 2 pages, product reviewed on Mar. 20, 2012; Retrieved from <URL; <https://www.containerstore.com/s/bath/medication-storage/pill-capsule-shaped-pill-holders/12d?productId=10006865#BVRRWidgetID>>.

\* cited by examiner

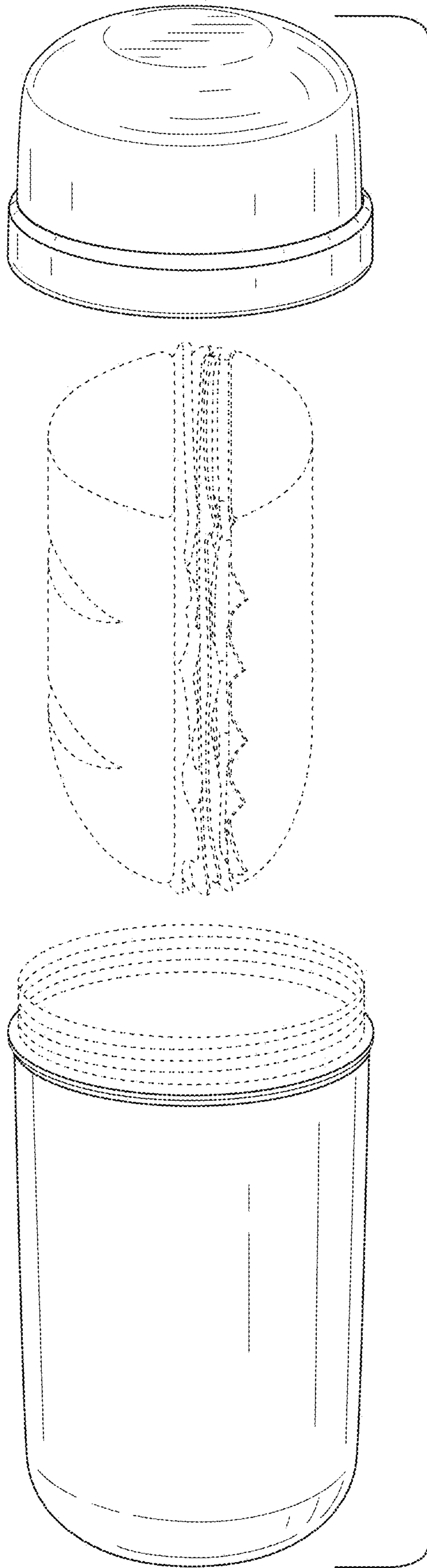


FIG. 1

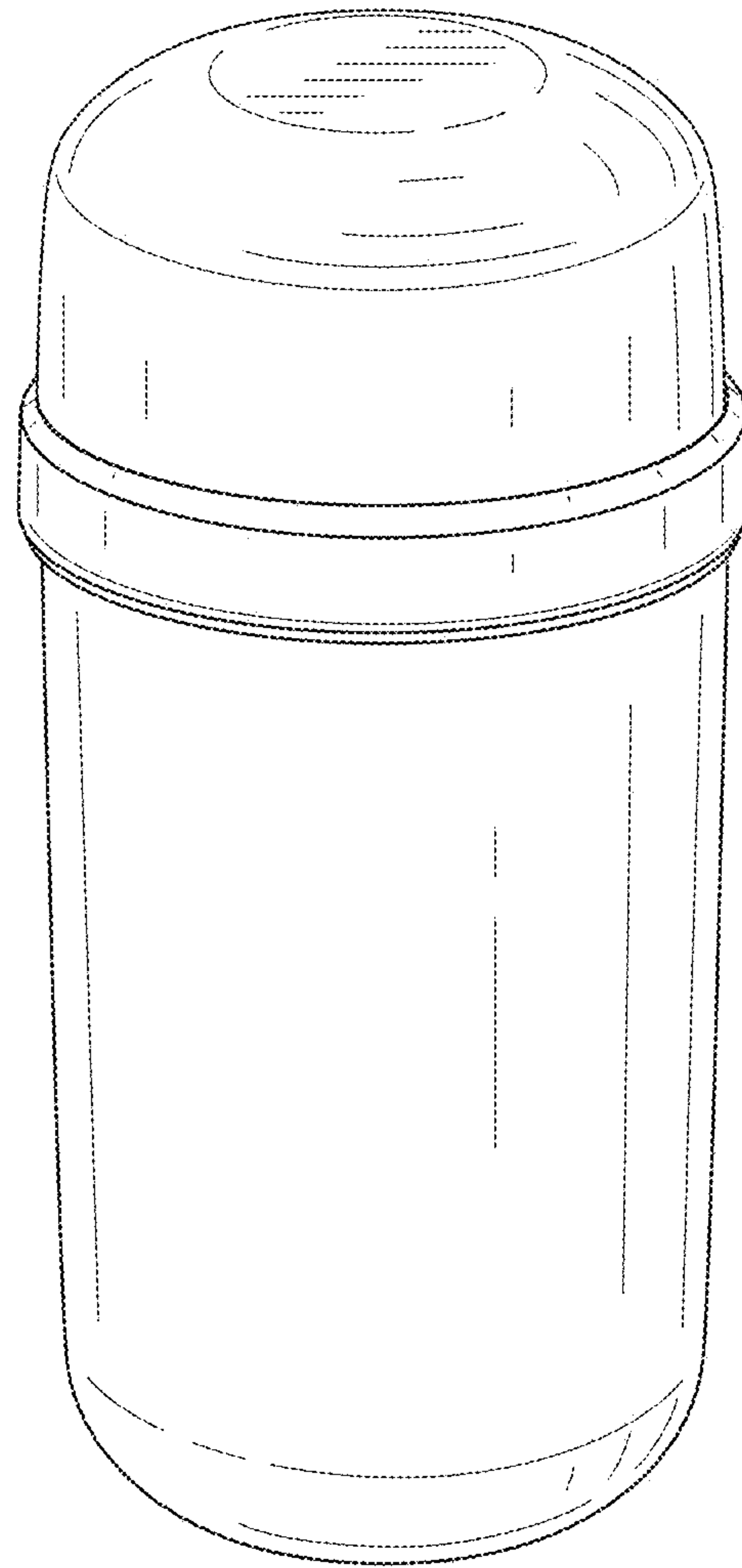


FIG. 2



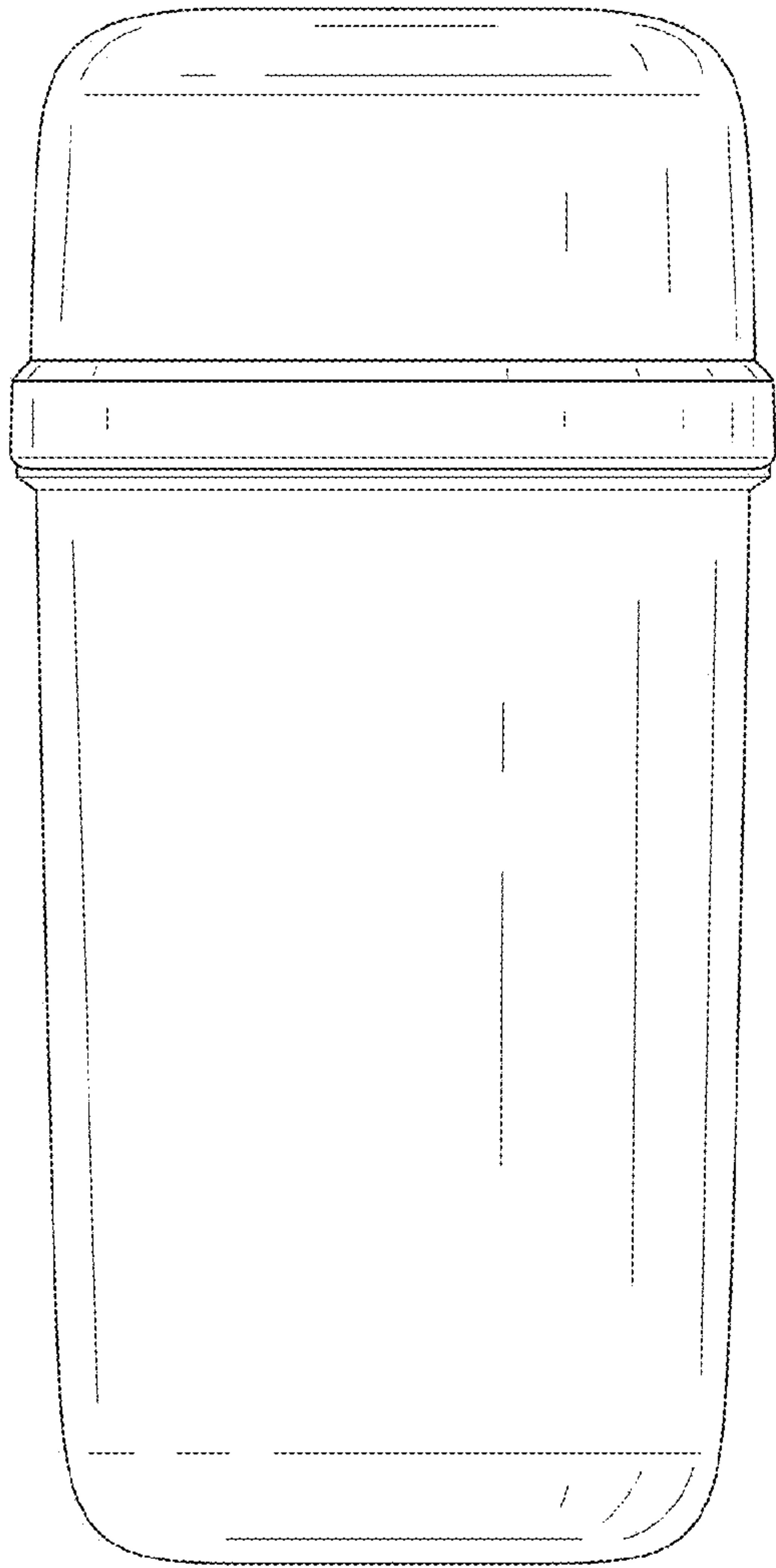


FIG. 3

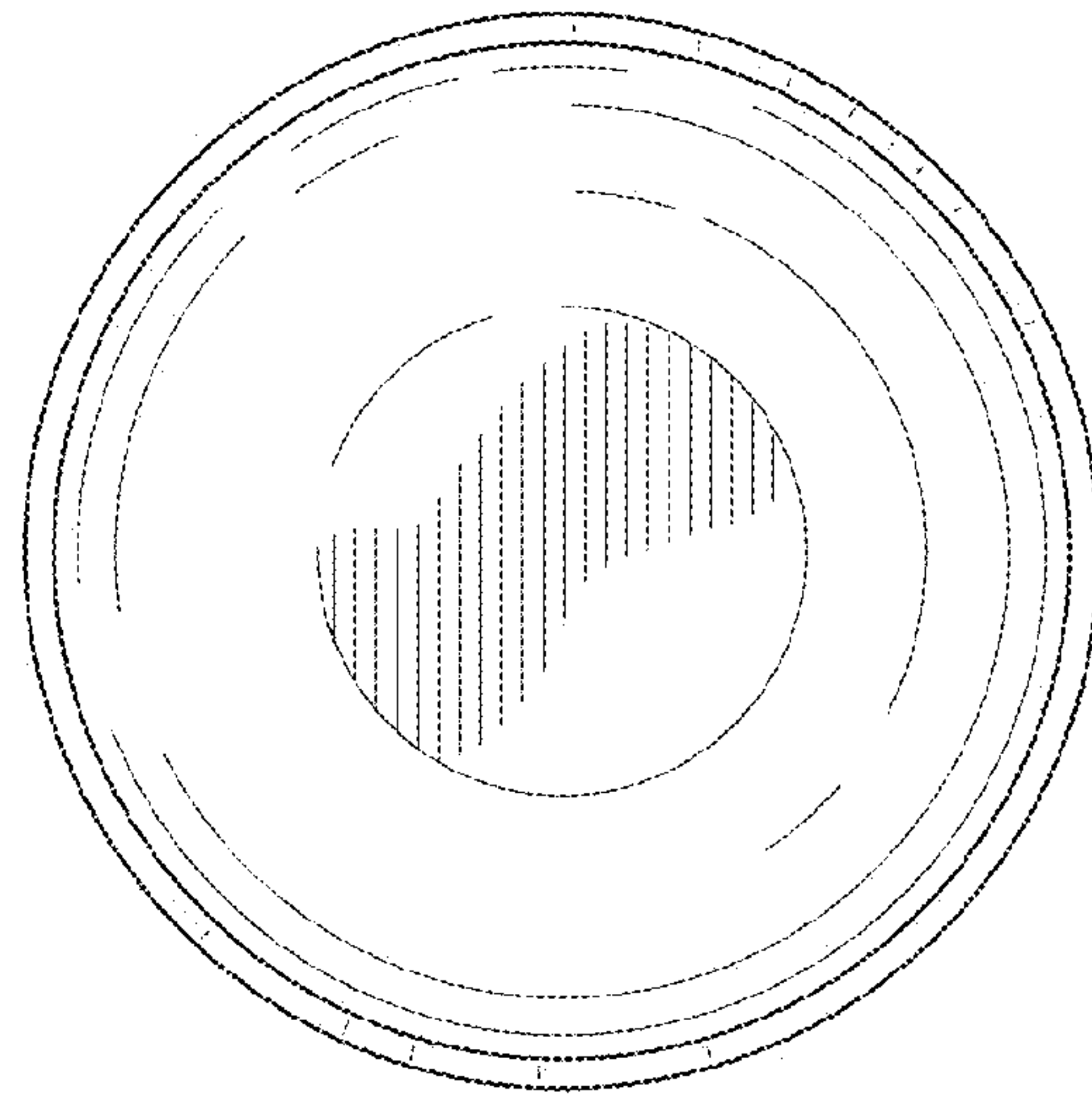


FIG. 4

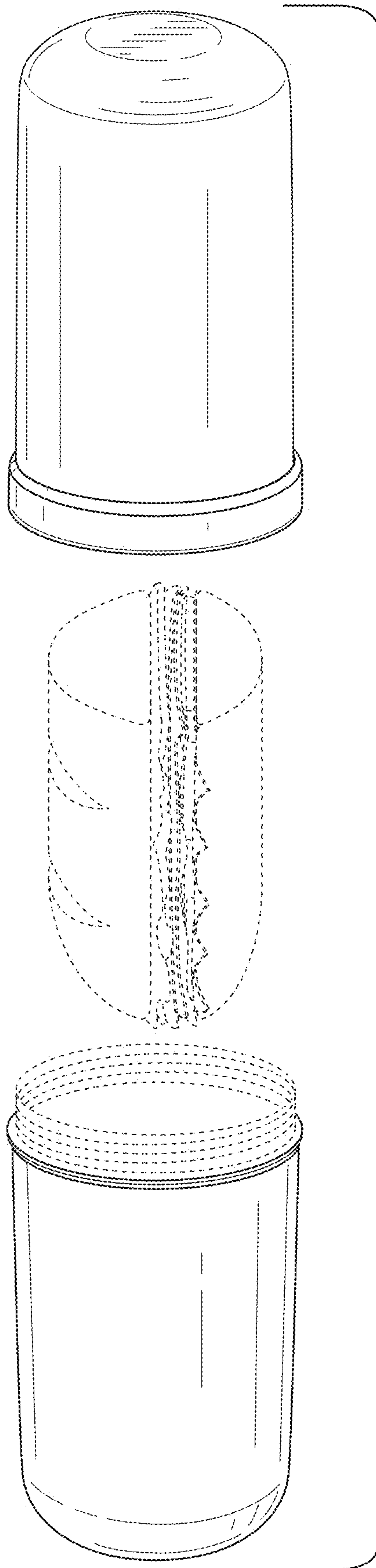


FIG. 5

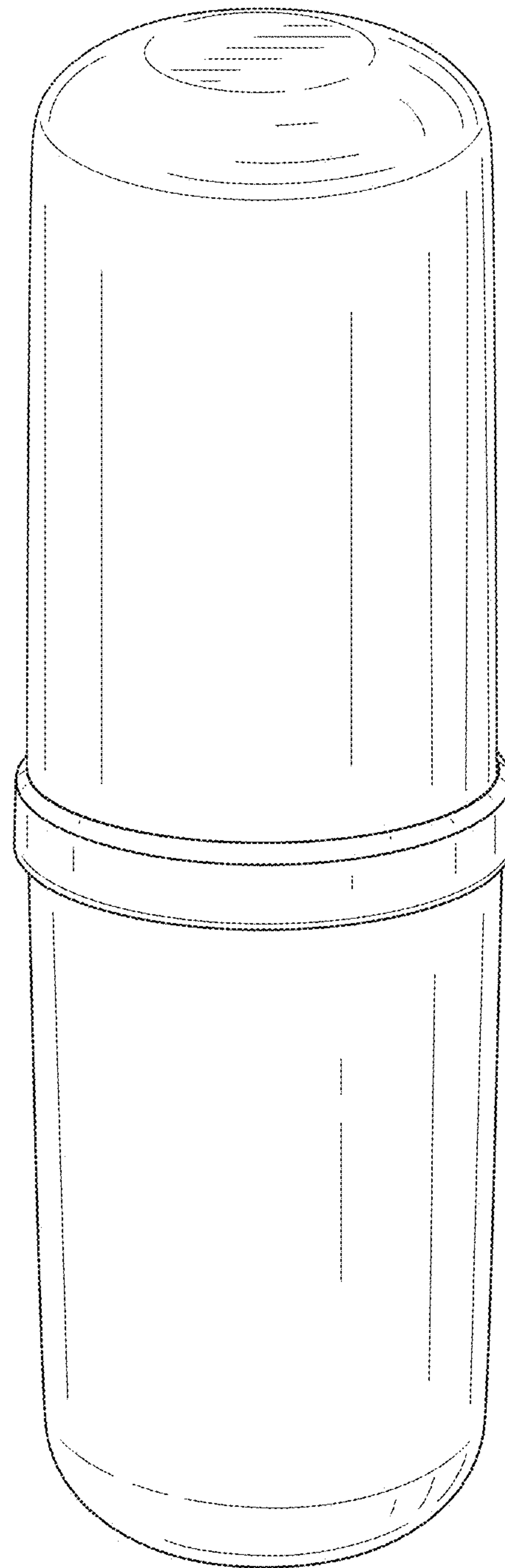


FIG. 6

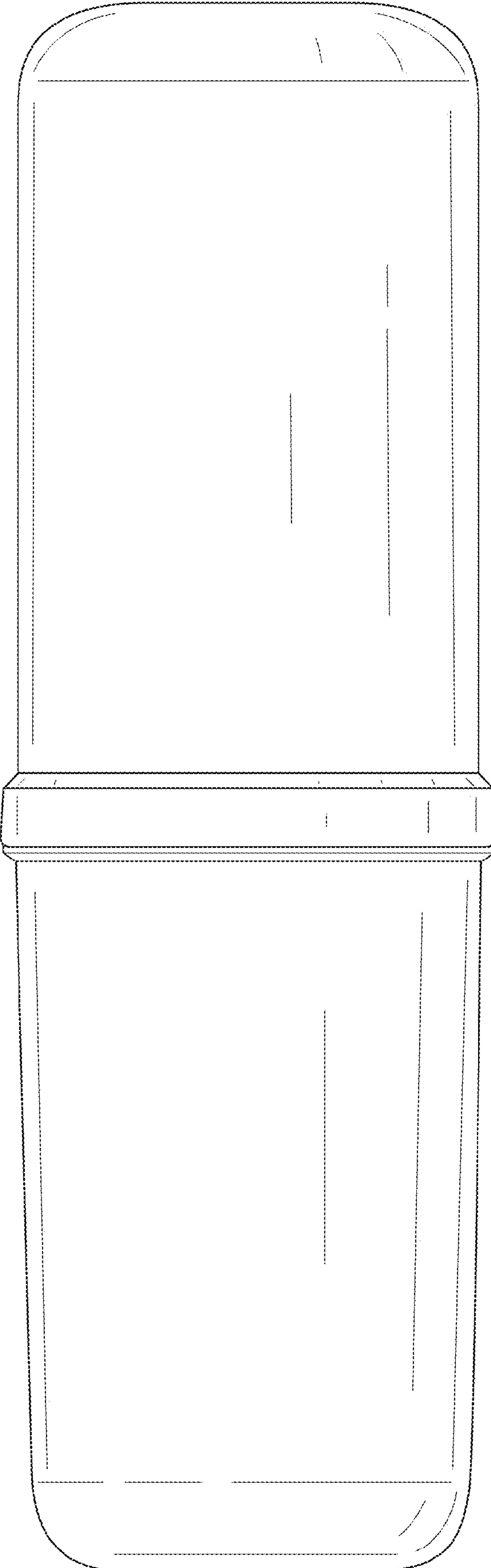


FIG. 7

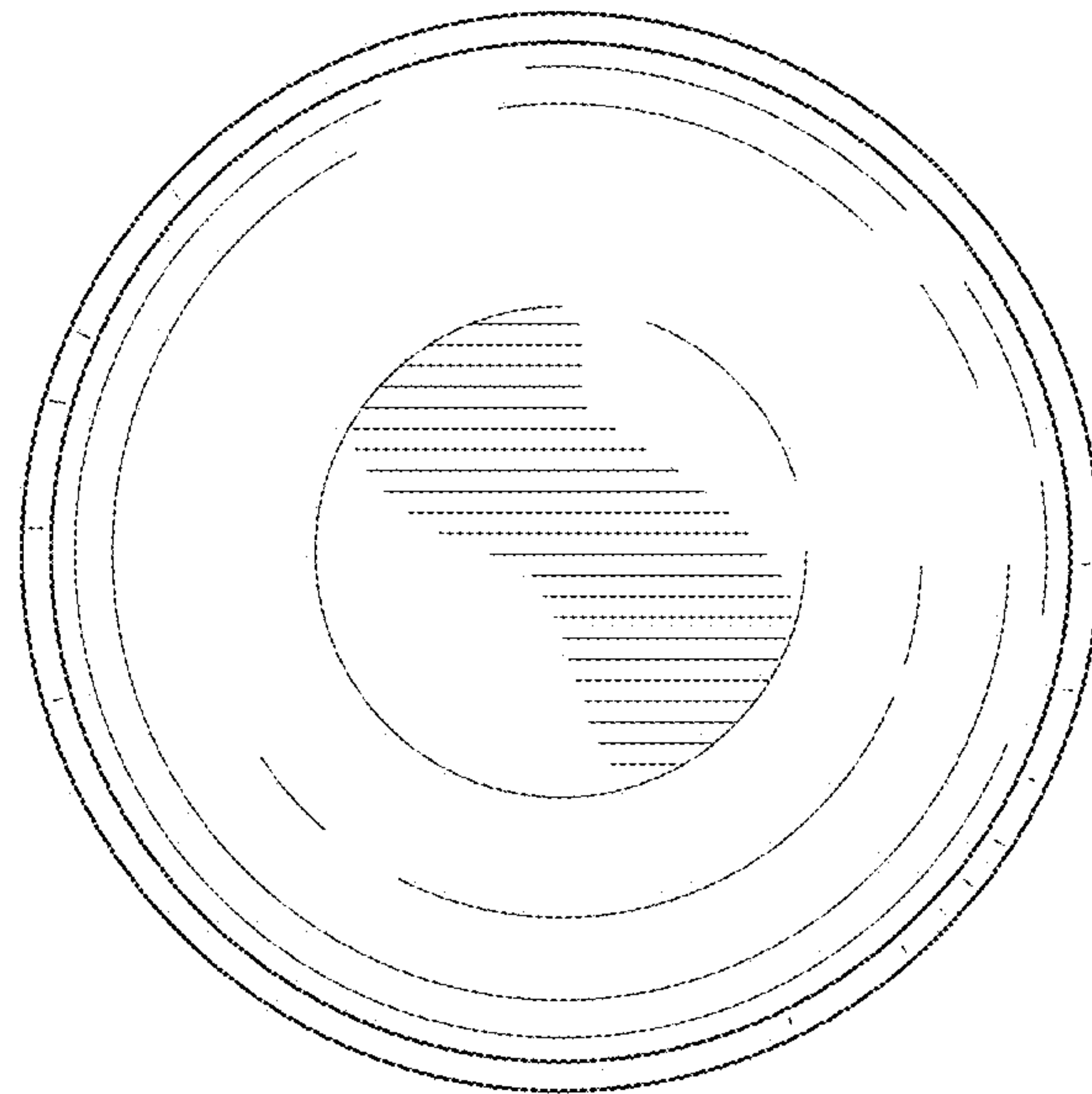


FIG. 8