

US00D892568S

(12) **United States Design Patent** (10) **Patent No.:** **US D892,568 S**
Haas (45) **Date of Patent:** **** Aug. 11, 2020**

(54) **BOTTLE CONTAINER**

FOREIGN PATENT DOCUMENTS

- (71) Applicant: **Vinglacé, LLC**, Houston, TX (US)
- (72) Inventor: **Colton Bryan Haas**, Houston, TX (US)
- (73) Assignee: **Vinglacé, LLC**, Houston, TX (US)

DE	573055 C	3/1933
WO	2008078860 A1	7/2008
WO	2015191566 A1	12/2015

(**) Term: **15 Years**

(21) Appl. No.: **29/713,086**

(22) Filed: **Nov. 13, 2019**

Related U.S. Application Data

(63) Continuation of application No. 16/562,474, filed on Sep. 6, 2019, which is a continuation of application
(Continued)

(51) **LOC (12) Cl.** **07-01**

(52) **U.S. Cl.**
USPC **D7/624.2; D7/608**

(58) **Field of Classification Search**
USPC D7/605-608, 619.1-625, 509-511;
D9/500-505

CPC A47G 23/0216; A47G 23/0258; A47G 23/0241; A47G 19/2205; A47G 19/2288; A47G 19/2272; A47G 2023/0275; F17C 13/001; B65D 81/3886; B65D 81/3823; B65D 81/3818; B65D 81/3846; B65D 81/3837; B65D 81/3839; B65D 81/3841; B65D 81/3844; B65D 81/3876; B65D 81/3879; B65D 81/3883; B65D 81/3888; B65D 81/3881; B65D 81/2881; B65D

(Continued)

(56) **References Cited**

U.S. PATENT DOCUMENTS

- 1,999,670 A 4/1935 Strouse et al.
- 2,419,291 A * 4/1947 Senter, Jr. A47J 41/0011
215/12.1

(Continued)

OTHER PUBLICATIONS

European Patent Office, Examination Report of International Application No. 17781598.2, which is in the same family as U.S. Appl. No. 29/713,086, dated Feb. 11, 2020, 2 pgs.

(Continued)

Primary Examiner — Terry A Wallace

(74) *Attorney, Agent, or Firm* — Moyles IP, LLC

(57) **CLAIM**

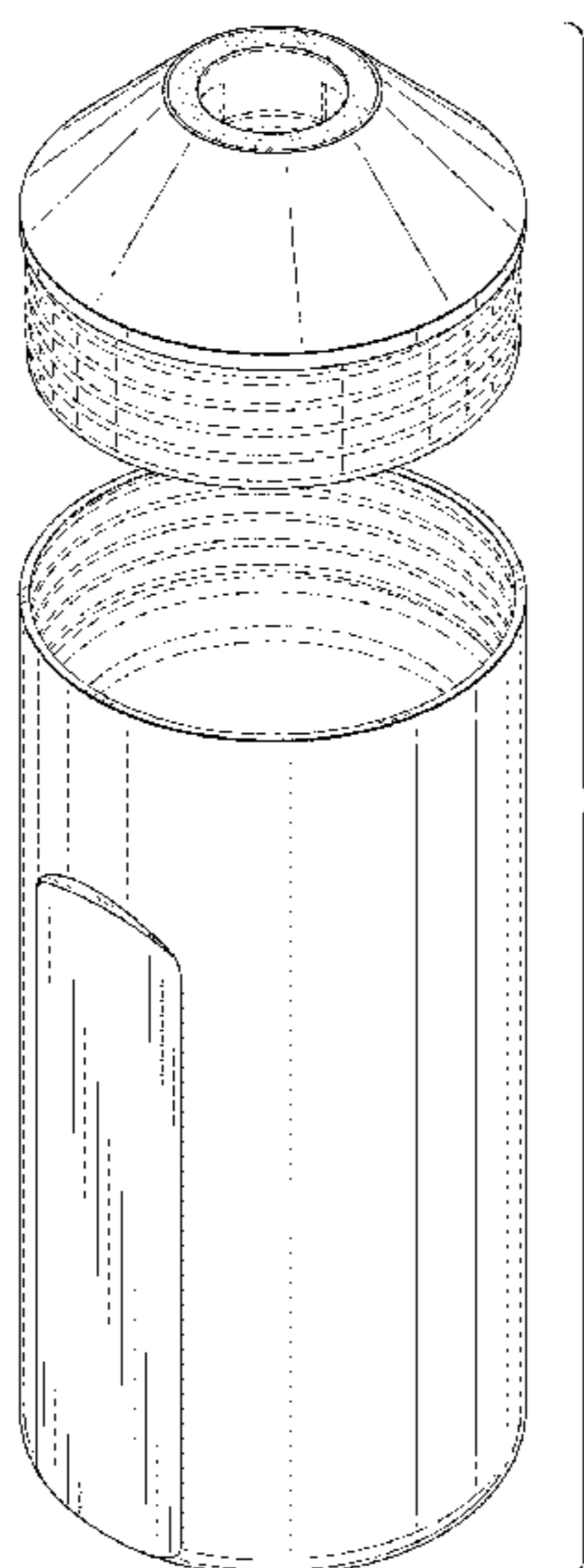
The ornamental design of a bottle container, as shown and described.

DESCRIPTION

FIG. 1 is an exploded view of a bottle container showing my new design;
FIG. 2 is a front perspective view of the bottle container of FIG. 1, illustrating the assembled bottle container;
FIG. 3 is a bottom perspective view of the bottle container of FIG. 2;
FIG. 4 is a front view of the bottle container of FIG. 2;
FIG. 5 is a rear view of the bottle container of FIG. 2;
FIG. 6 is a right side view of the bottle container of FIG. 2;
FIG. 7 is a left side view of the bottle container of FIG. 2;
FIG. 8 is a top plan view of the bottle container of FIG. 2;
and,
FIG. 9 is a bottom plan view of the bottle container of FIG. 2.

The broken lines in the drawings depict portions of the bottle container that form no part of the claimed design.

1 Claim, 8 Drawing Sheets



Related U.S. Application Data

No. 16/334,793, filed as application No. PCT/US2017/053642 on Sep. 27, 2017, which is a continuation of application No. 15/699,462, filed on Sep. 8, 2017, now Pat. No. 9,988,202.

(58) **Field of Classification Search**

CPC .. 81/38; B65D 1/0215; B65D 21/0228; B65D 21/083; B65D 23/0885; B65D 23/06; B65D 23/065; B65D 41/04; B65D 1/06; B65D 1/04; B65D 47/40; B65D 25/10; B65D 25/54; F25D 3/08; F25D 3/14; F25D 2331/804; F25D 2331/803; A47J 42/02; A47J 41/0077; A47J 41/02; A47J 41/022; A47J 41/024; A47J 41/026; A47J 41/028; A47J 41/00; A47J 43/27; A45C 11/20; B44C 1/18; A45F 3/16

See application file for complete search history.

(56) **References Cited**

U.S. PATENT DOCUMENTS

2,599,767	A	6/1952	Long
3,755,030	A	8/1973	Doman et al.
4,299,100	A	11/1981	Crisman et al.
D269,059	S *	5/1983	Steyn D7/608
4,510,769	A *	4/1985	McClellan, Jr. ... B65D 81/3879 215/12.1
4,815,287	A	3/1989	O'Daniel
4,823,974	A	4/1989	Crosser
4,870,837	A	10/1989	Weins
5,904,267	A	5/1999	Thompson
5,921,431	A	7/1999	Pych

6,155,452	A *	12/2000	Laurent B65D 81/3876 220/711
6,516,967	B2	2/2003	Duff et al.
6,604,649	B1 *	8/2003	Campi B65D 81/3886 220/592.17
7,201,285	B2	4/2007	Beggins
7,270,244	B1	9/2007	Liu
D765,471	S	9/2016	Gorbold
D798,110	S	9/2017	Valenti et al.
D799,274	S *	10/2017	Hewitt D7/531
2003/0197020	A1 *	10/2003	Murakami B65D 81/3876 220/739
2008/0135554	A1	6/2008	Hill et al.
2008/0179335	A1 *	7/2008	Lee A47J 41/0005 220/592.17
2010/0084362	A1 *	4/2010	Letchinger B65D 11/04 215/200
2012/0292219	A1	11/2012	Terwilliger et al.
2013/0153591	A1 *	6/2013	Grimes A01K 89/08 220/735
2013/0327738	A1	12/2013	Harrison
2017/0137207	A1	5/2017	Mackintosh et al.
2017/0166385	A1 *	6/2017	Pisarevsky A47G 23/0241
2018/0043731	A1	2/2018	Cheng

OTHER PUBLICATIONS

Bottlekeeper, Bottlekeeper (R), Apr. 25, 2013, <https://www.bottlekeeper.com/>, 6 pgs.

International Searching Authority, International Search Report and Written Opinion of International App. No. PCT/US2017/053642, dated Nov. 27, 2017, 11 pgs.

International Searching Authority, International Preliminary Report on Patentability of International Application No. PCT/US2017/053642, dated Apr. 2, 2019, 7 pgs.

* cited by examiner

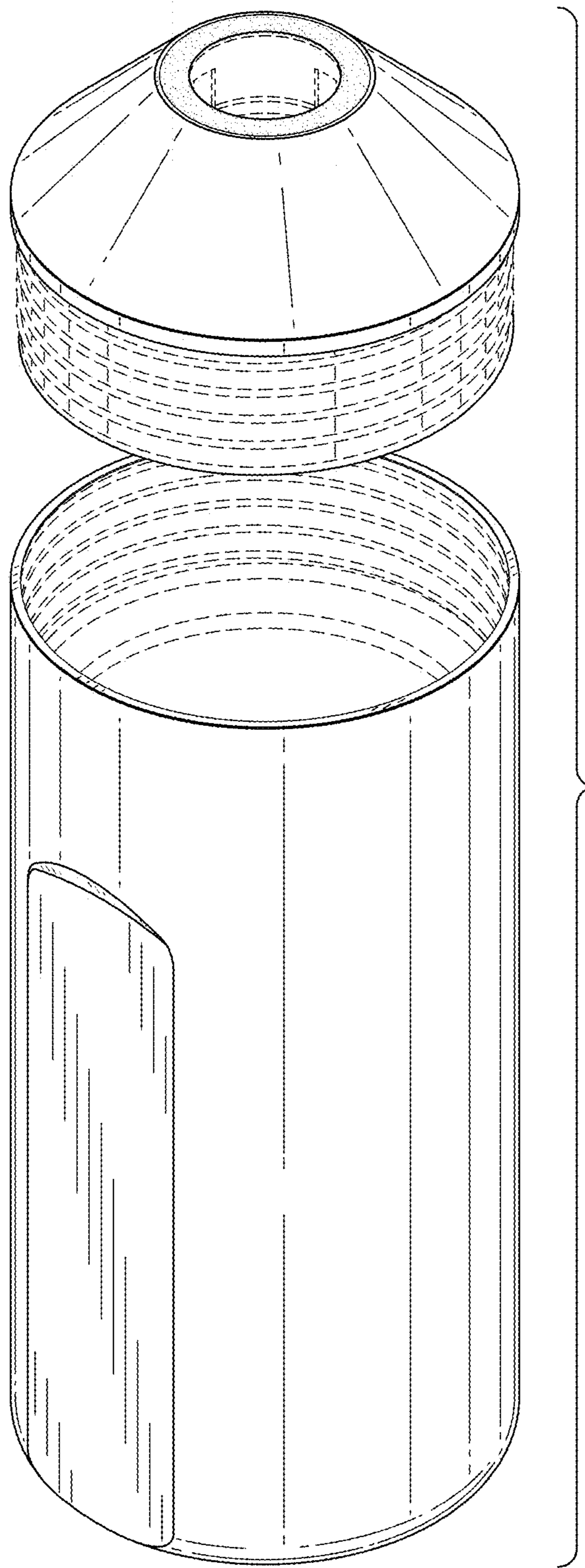


FIG. 1

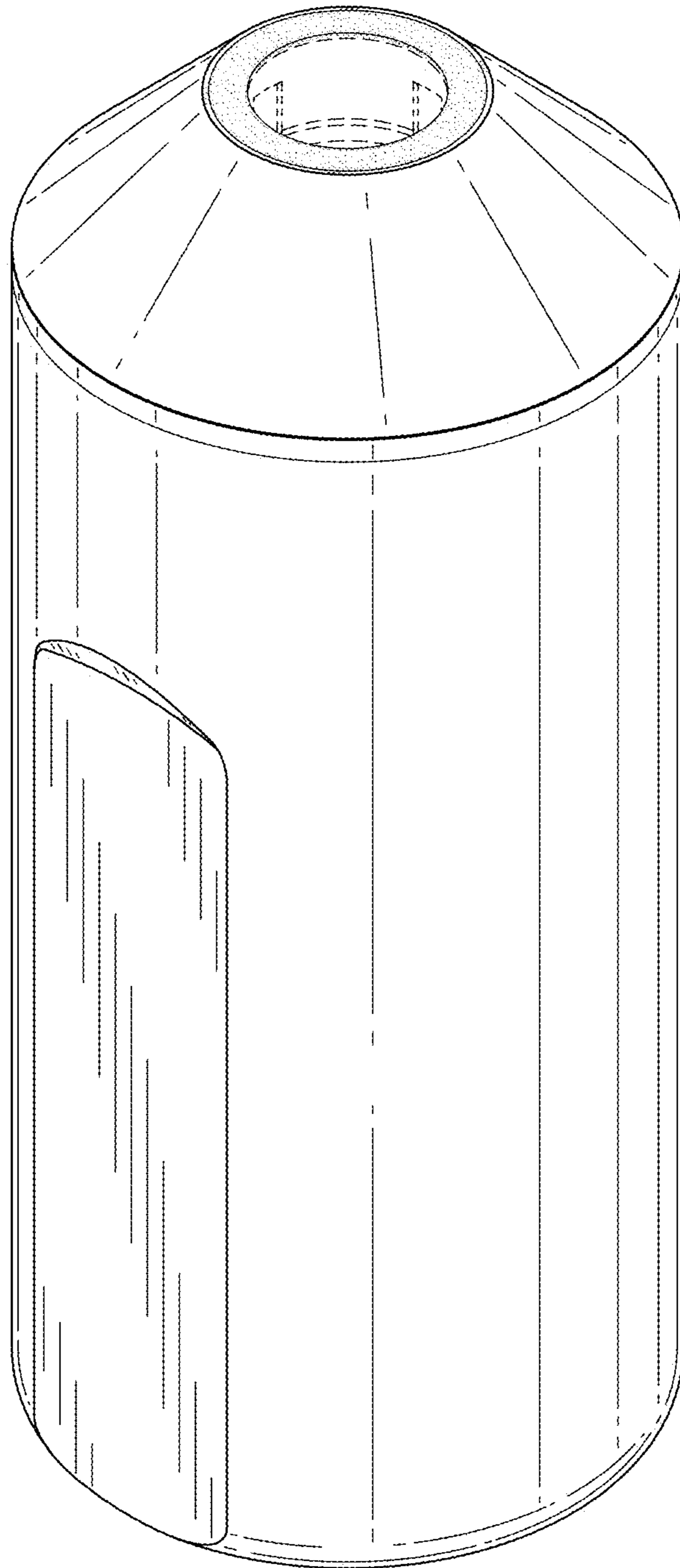


FIG. 2

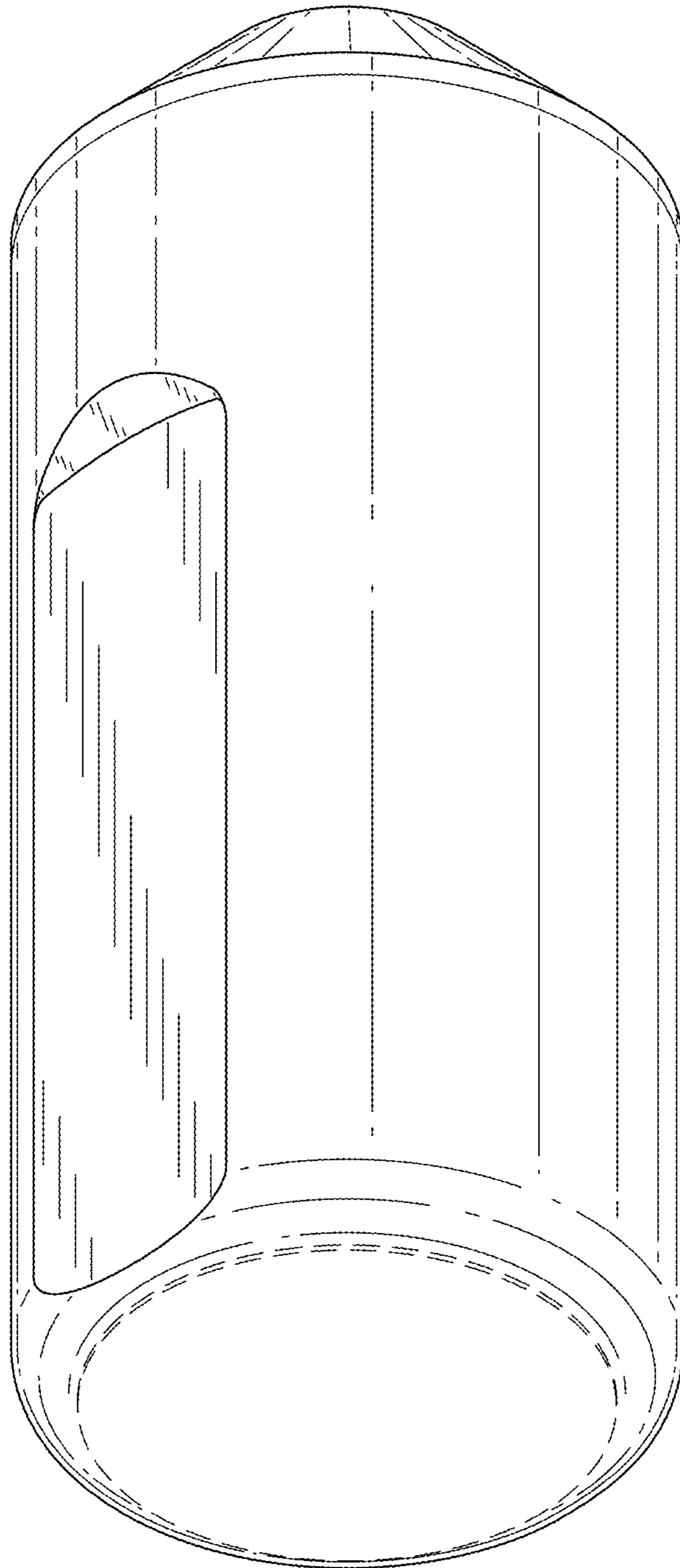


FIG. 3

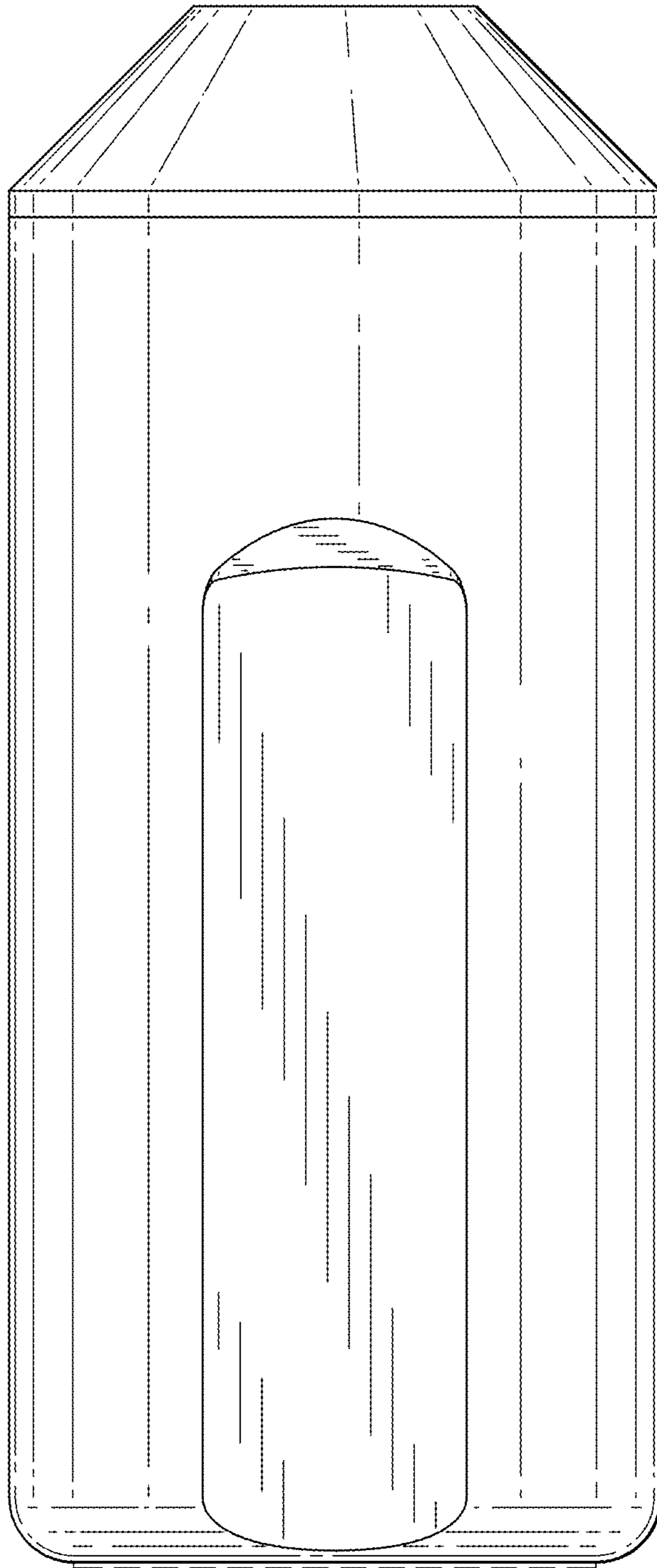


FIG. 4

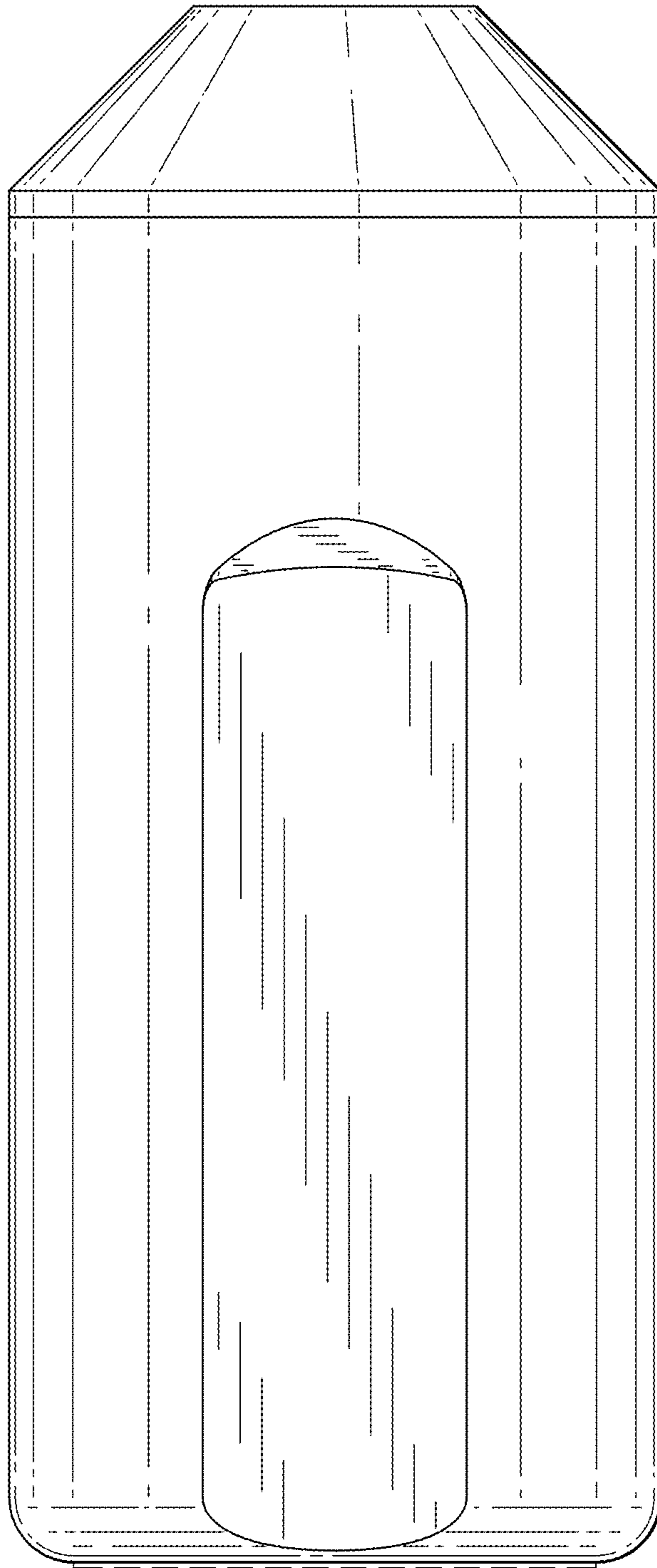


FIG. 5

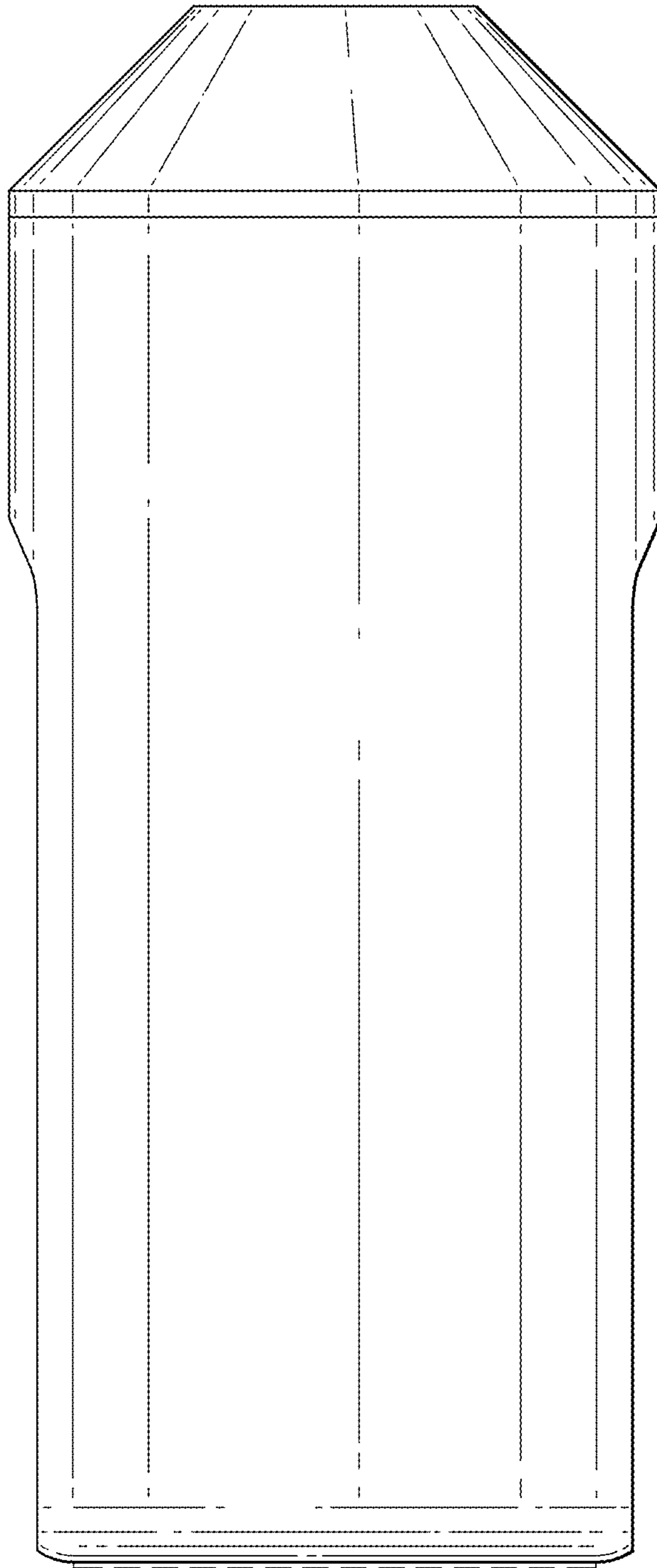


FIG. 6

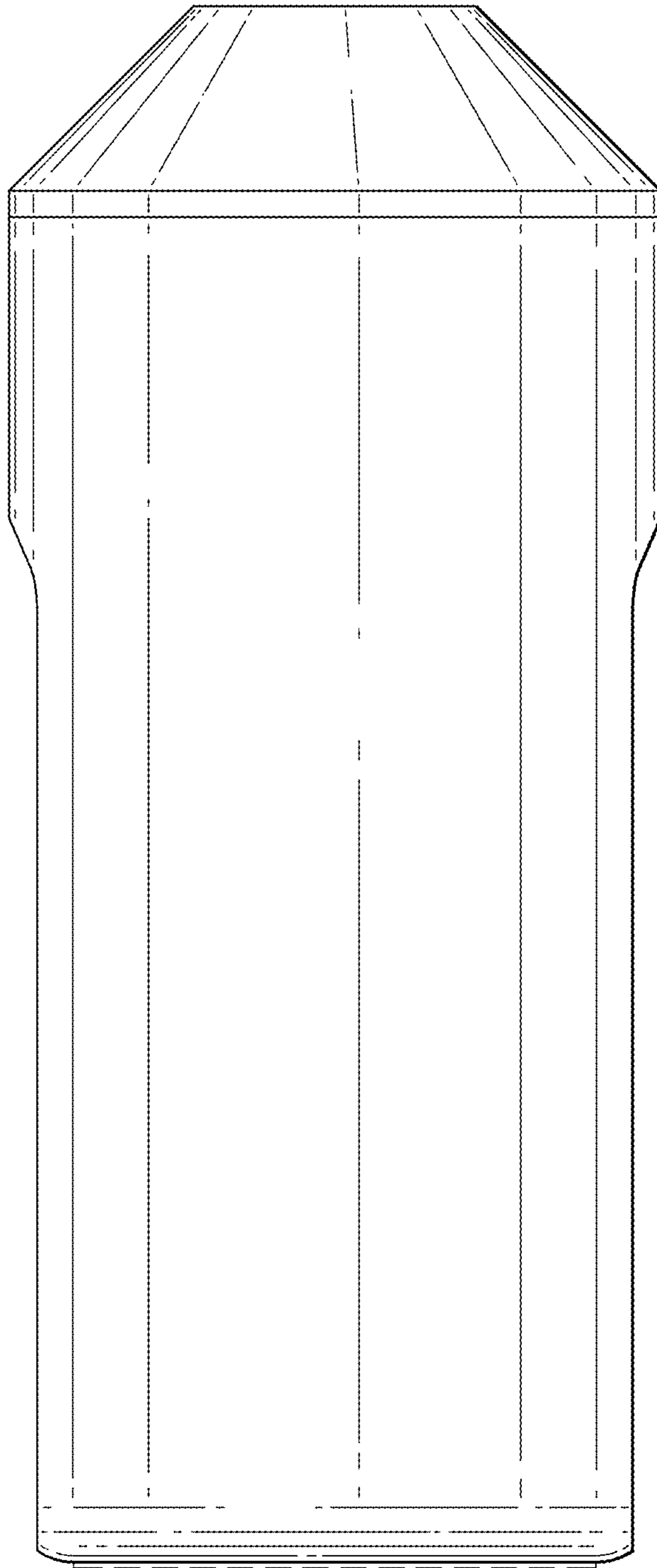


FIG. 7

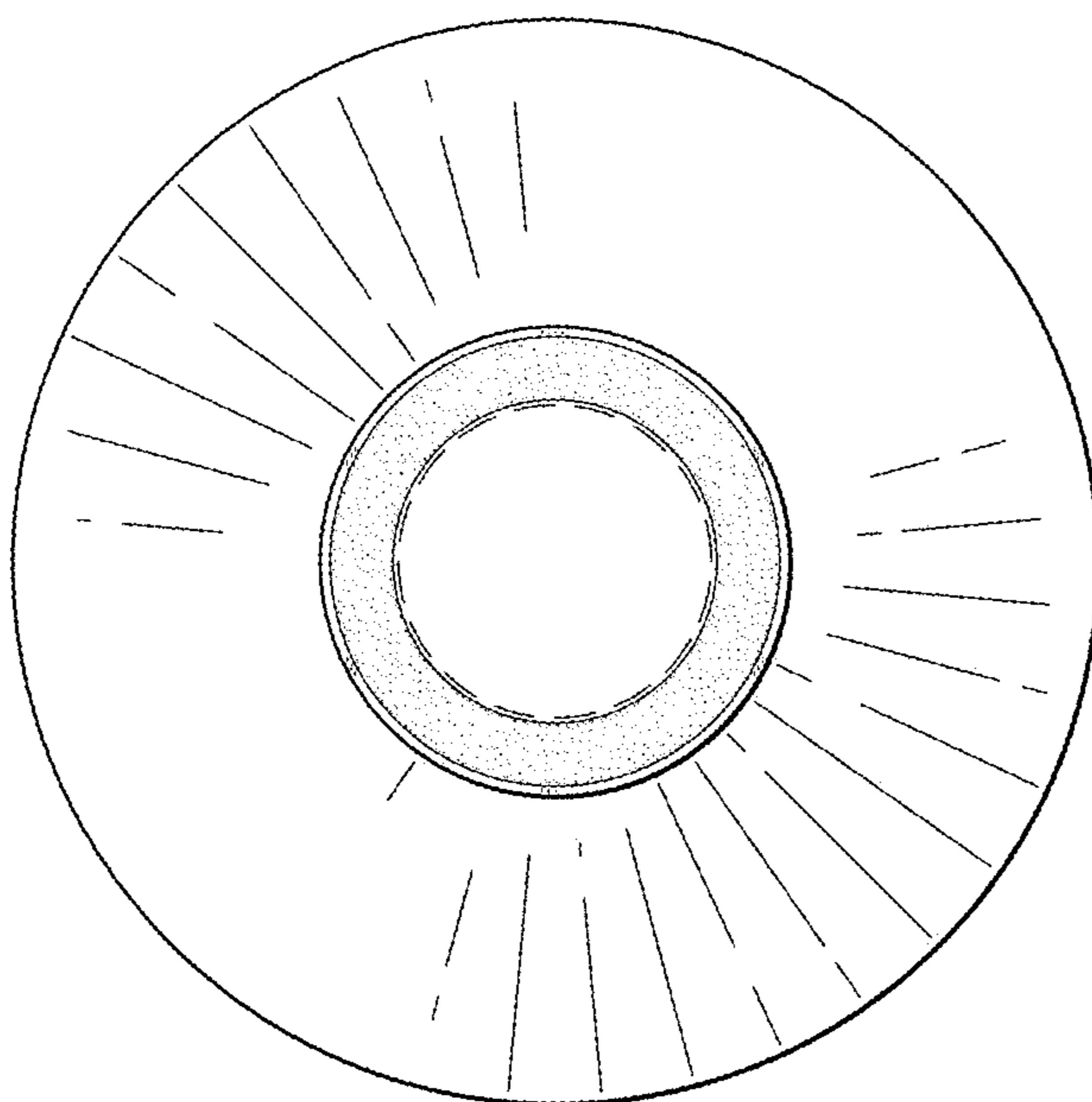


FIG. 8

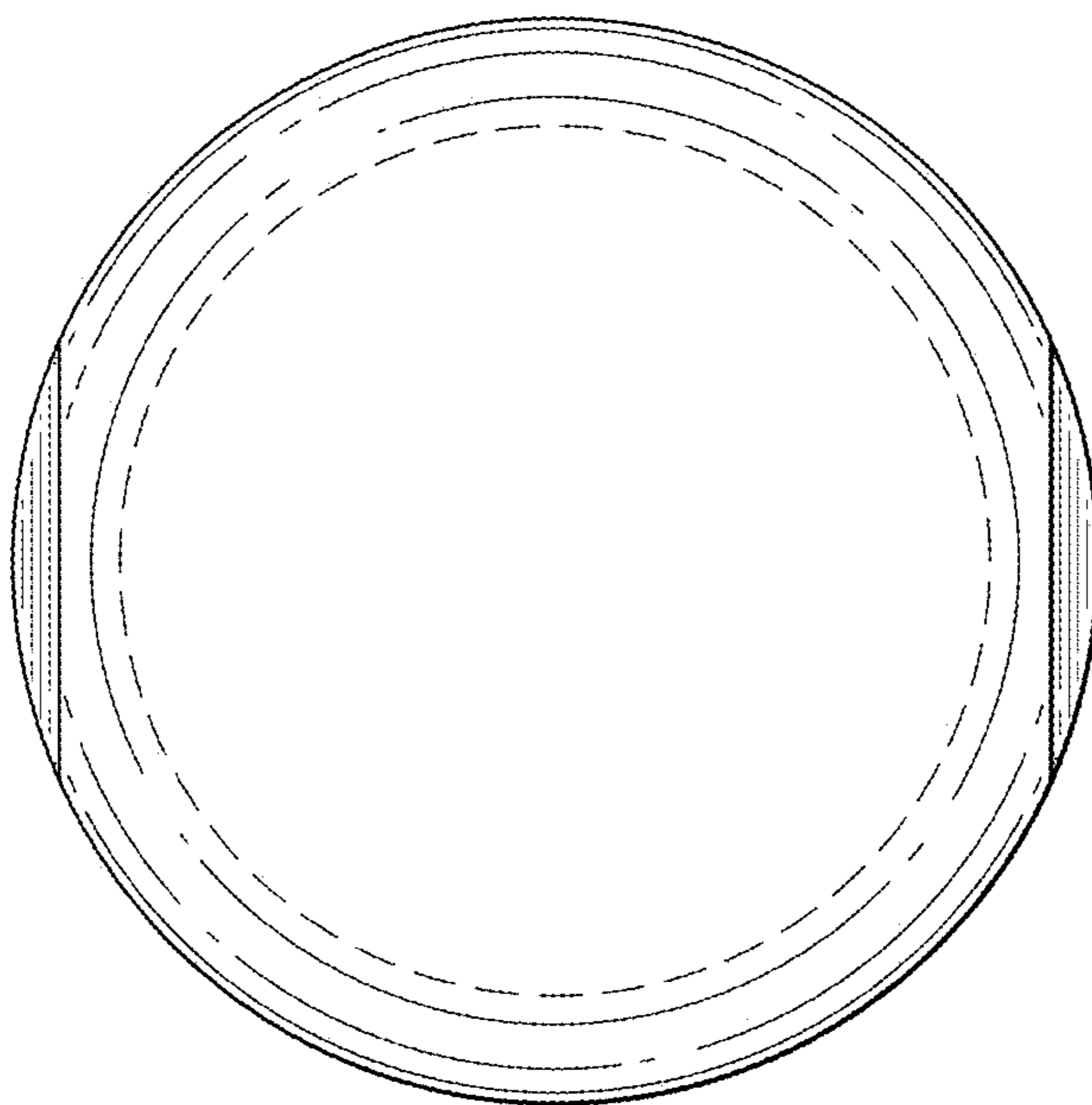


FIG. 9