

US00D892565S

(12) **United States Design Patent** (10) **Patent No.:** **US D892,565 S**  
**Astle et al.** (45) **Date of Patent:** **\*\* Aug. 11, 2020**

(54) **COOLER**  
(71) Applicant: **LIFETIME PRODUCTS, INC.**,  
Clearfield, UT (US)  
(72) Inventors: **Robert A. Astle**, Kaysville, UT (US);  
**Allen Keetch**, South Weber, UT (US)  
(73) Assignee: **Lifetime Products, Inc.**, Clearfield, UT  
(US)  
(\*\*) Term: **15 Years**

D429,606 S 8/2000 Israel  
D429,966 S \* 8/2000 Israel ..... D7/605  
6,182,462 B1 \* 2/2001 Bania ..... A45C 11/20  
62/264  
D451,765 S \* 12/2001 Israel ..... D7/605  
D452,262 S 12/2001 MacNeil et al.  
D494,021 S \* 8/2004 Huthmaker ..... D7/605  
D545,633 S 7/2007 Hussaini  
D566,479 S \* 4/2008 Kabalin ..... D3/273  
8,061,547 B2 \* 11/2011 Camp, Jr. .... A45C 11/20  
220/507  
D652,262 S 1/2012 Yang  
8,356,712 B2 1/2013 Piazza, Jr.  
D712,720 S 9/2014 Seiders

(Continued)

(21) Appl. No.: **29/644,448**

(22) Filed: **Apr. 17, 2018**

(51) **LOC (12) Cl.** ..... **07-01**  
(52) **U.S. Cl.**  
USPC ..... **D7/605**

(58) **Field of Classification Search**  
USPC ..... D7/603-608, 709, 710, 629; D3/283,  
D3/287, 289, 233, 267, 268, 273, 276,  
D3/315, 318  
CPC ..... F25D 2331/804; F25D 2331/801; F25D  
3/08; B65D 30/22; B65D 30/08; B65D  
81/3858; B65D 81/3828; B65D 81/3888;  
B65D 81/18; B65D 81/3897; B65D  
31/04; B65D 53/00; B65D 69/00; B65D  
8/18; A45C 11/20; A45C 13/02; A45F  
3/02; A45F 3/12; A45F 3/14; A45F 3/04;  
A45F 4/02

See application file for complete search history.

(56) **References Cited**

**U.S. PATENT DOCUMENTS**

D281,695 S \* 12/1985 Ryan, Jr. .... D7/605  
4,592,482 A \* 6/1986 Seager ..... A45C 11/20  
220/318  
D325,323 S \* 4/1992 Kahl ..... D7/605  
D354,419 S \* 1/1995 Kahl ..... D7/605  
D374,772 S \* 10/1996 Hotaling ..... D3/273

**OTHER PUBLICATIONS**

Notice of Allowance from U.S. Appl. No. 29/585,896 dated Oct. 18,  
2017.

(Continued)

*Primary Examiner* — Terry A Wallace  
(74) *Attorney, Agent, or Firm* — Maschoff Brennan

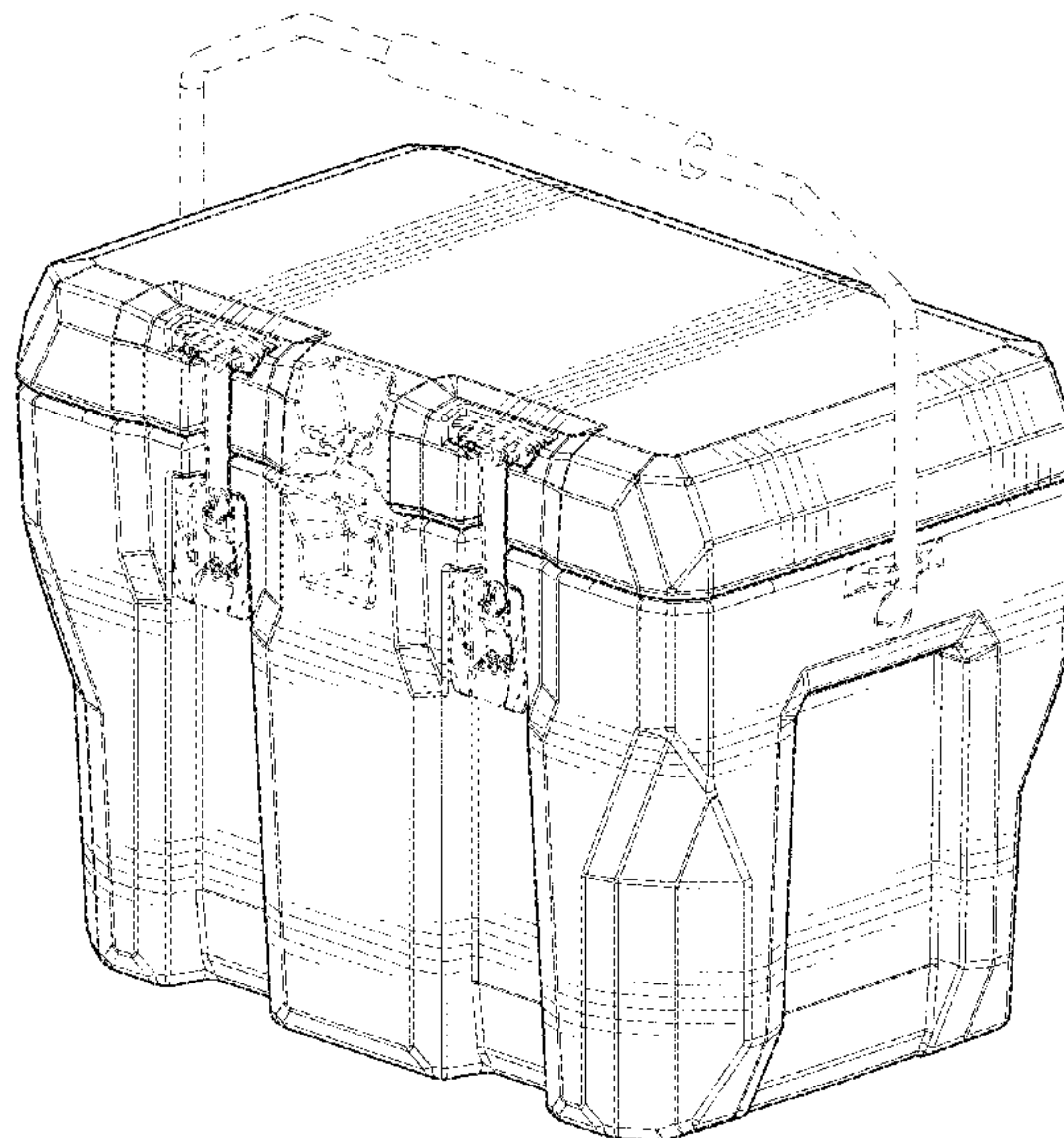
(57) **CLAIM**

The ornamental design for a cooler, as shown and described.

**DESCRIPTION**

FIG. 1 is a top perspective view of the cooler showing our  
new design.  
FIG. 2 is a bottom perspective view thereof.  
FIG. 3 is a front view thereof.  
FIG. 4 is a rear view thereof.  
FIG. 5 is a left side view thereof.  
FIG. 6 is a right side view thereof.  
FIG. 7 is a top plan view thereof; and,  
FIG. 8 is a bottom plan view thereof.  
The broken lines are for illustrative purposes only and form  
no part of the claimed design.

**1 Claim, 7 Drawing Sheets**



(56)

References Cited

U.S. PATENT DOCUMENTS

D712,721 S 9/2014 Seiders  
D712,722 S 9/2014 Seiders  
D712,723 S 9/2014 Seiders  
D714,125 S 9/2014 Seiders  
8,887,515 B2\* 11/2014 Patstone ..... F25D 3/08  
62/457.2  
8,910,819 B2 12/2014 Seiders  
D722,474 S 2/2015 Seiders  
D722,475 S 2/2015 Seiders  
9,187,232 B2 11/2015 Seiders  
9,694,521 B2 7/2017 French et al.  
D806,483 S 1/2018 Stanford et al.  
D816,425 S 5/2018 Stanford et al.  
2010/0078441 A1\* 4/2010 Barnett ..... A45C 13/36  
220/592.2  
2012/0132657 A1\* 5/2012 Seiders ..... B65D 81/3816  
220/592.2  
2013/0062356 A1\* 3/2013 Deka ..... B65D 81/3823  
220/592.25  
2014/0013789 A1\* 1/2014 Conrad ..... F25D 3/08  
62/331

2015/0060470 A1 6/2015 Seiders  
2015/0225164 A1 8/2015 Seiders et al.  
2015/0322698 A1 11/2015 Seiders  
2015/0353263 A1 12/2015 Seiders et al.  
2016/0236849 A1 8/2016 Seiders et al.  
2016/0257479 A1 9/2016 Seiders et al.

OTHER PUBLICATIONS

U.S. Appl. No. 29/585,896, filed Nov. 29, 2016, Stanford et al.  
U.S. Appl. No. 29/602,023, filed Apr. 27, 2017, Stanford et al.  
Notice of Allowance from U.S. Appl. No. 29/602,023, dated Mar.  
29, 2018.  
U.S. Appl. No. 15/885,657, filed Jan. 31, 2018, Stanford et al.  
U.S. Appl. No. 29/644,909, filed Apr. 20, 2018, Stanford et al.  
U.S. Appl. No. 29/644,911, filed Apr. 20, 2018, Stanford et al.  
U.S. Appl. No. 29/677,028, filed Jan. 16, 2019, Astle et al.  
U.S. Appl. No. 29/677,025, filed Jan. 16, 2019, Astle et al.  
U.S. Appl. No. 29/688,014, filed Apr. 17, 2019, Astle et al.  
U.S. Appl. No. 29/713,735, filed Nov. 18, 2019, Astle et al.

\* cited by examiner



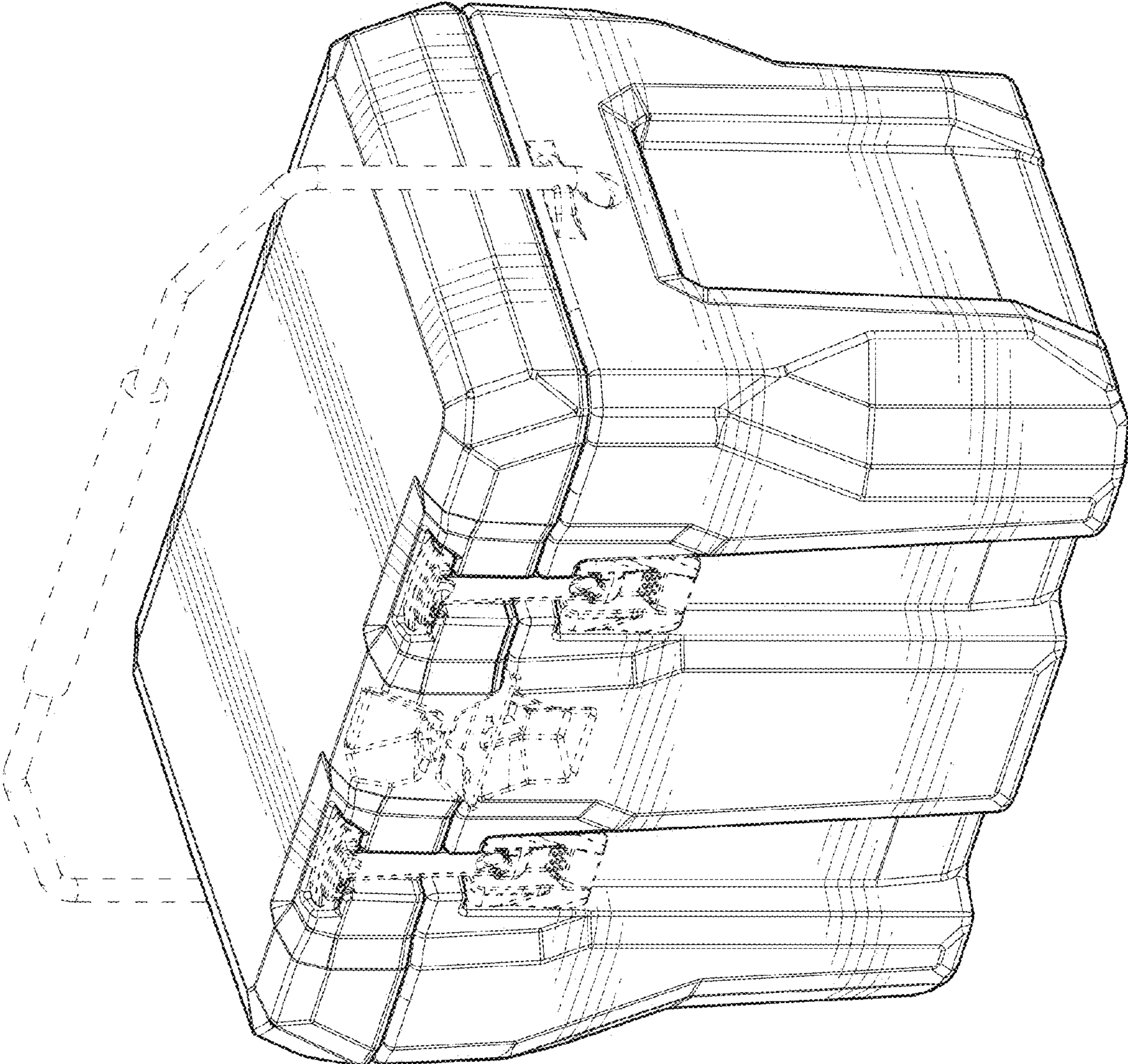


FIG. 1

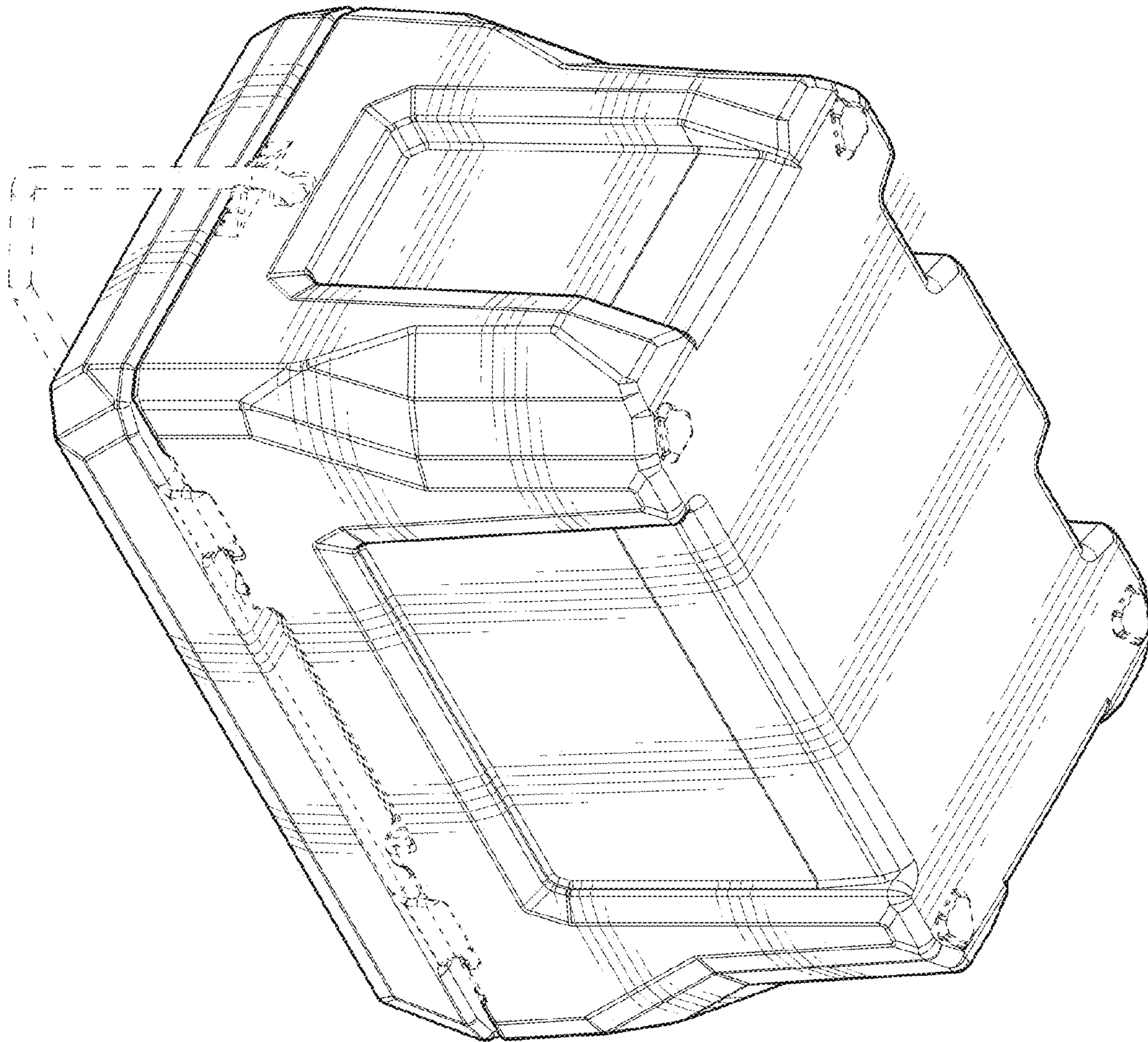


FIG. 2



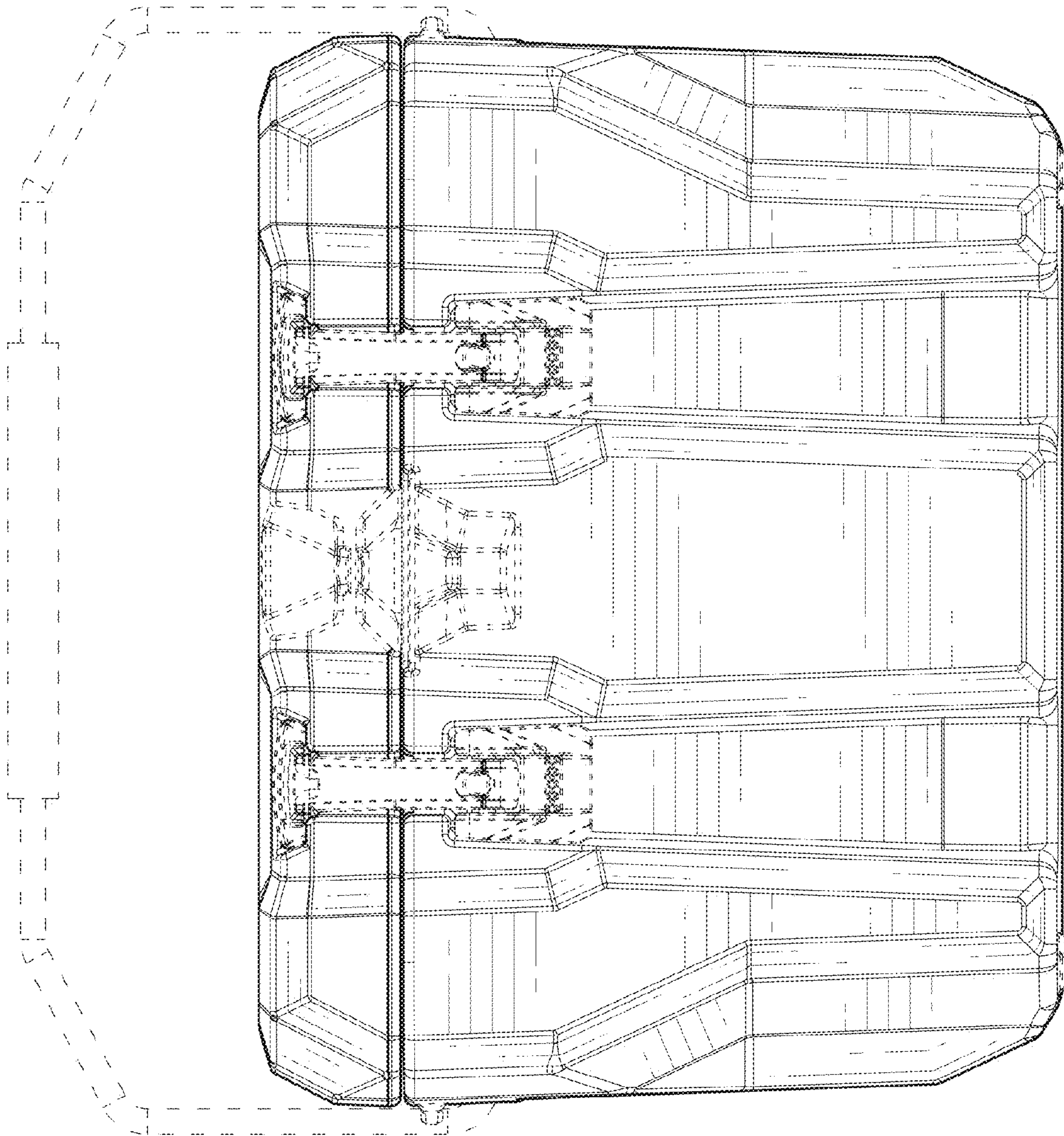


FIG. 3

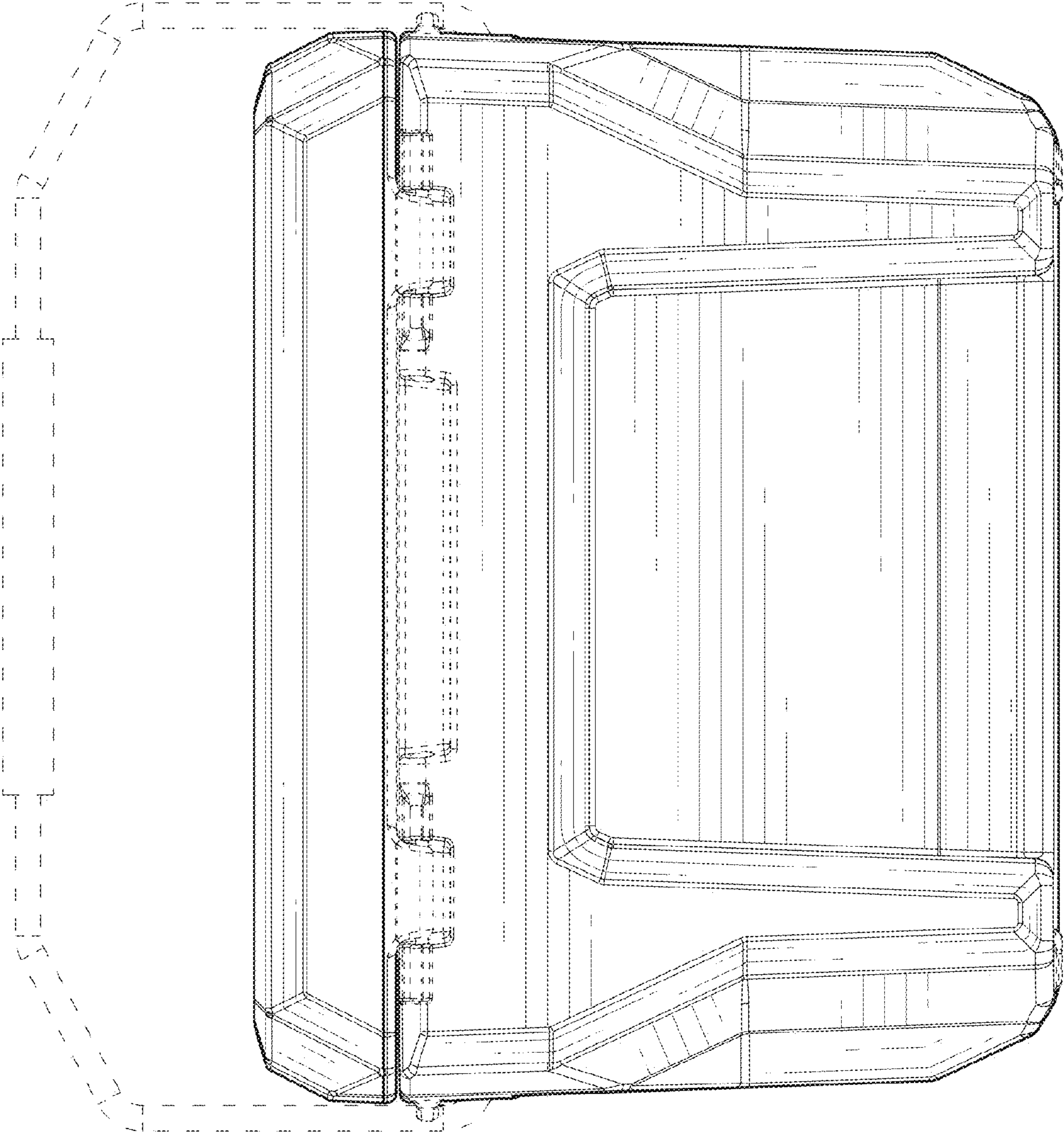


FIG. 4



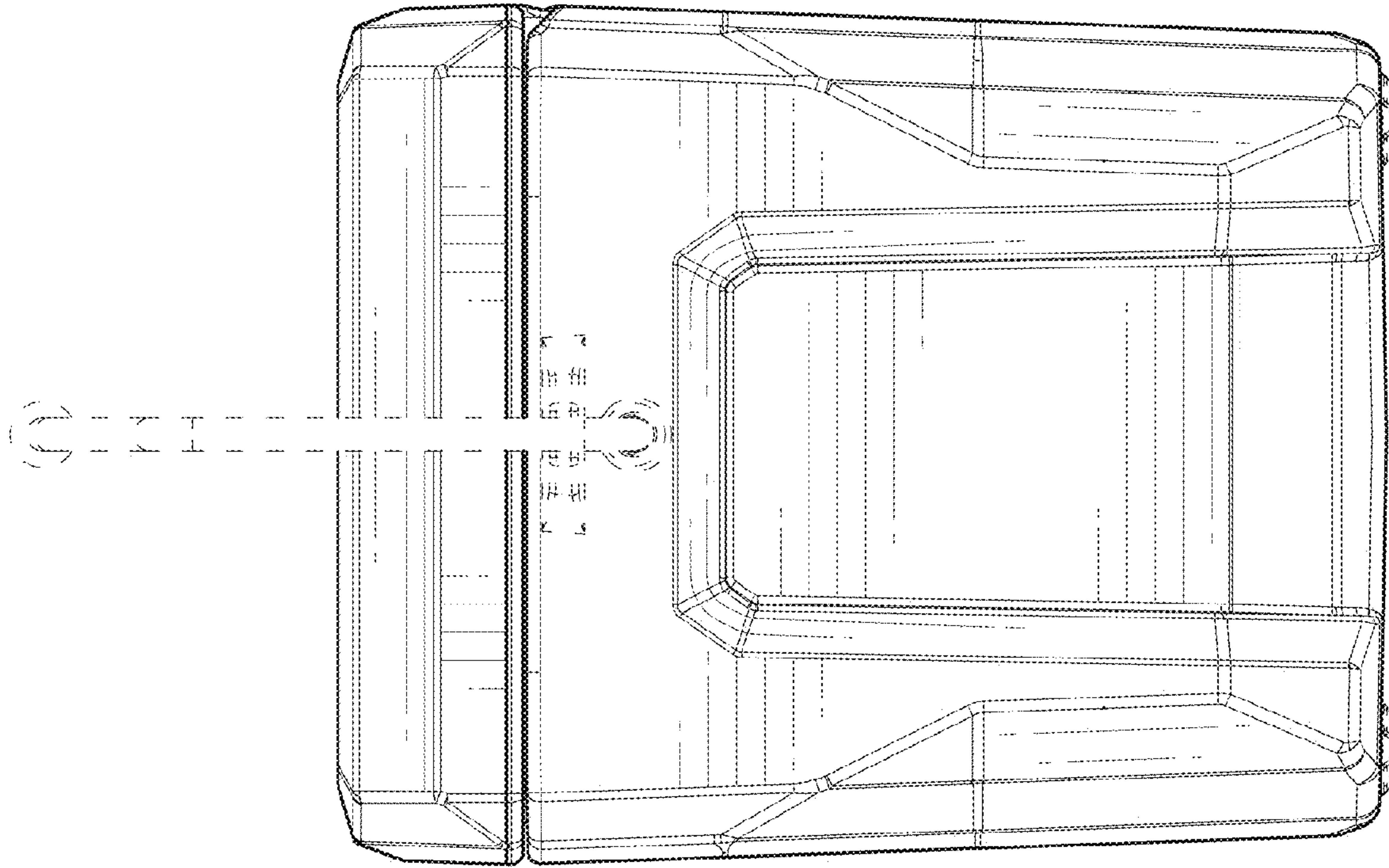


FIG. 6

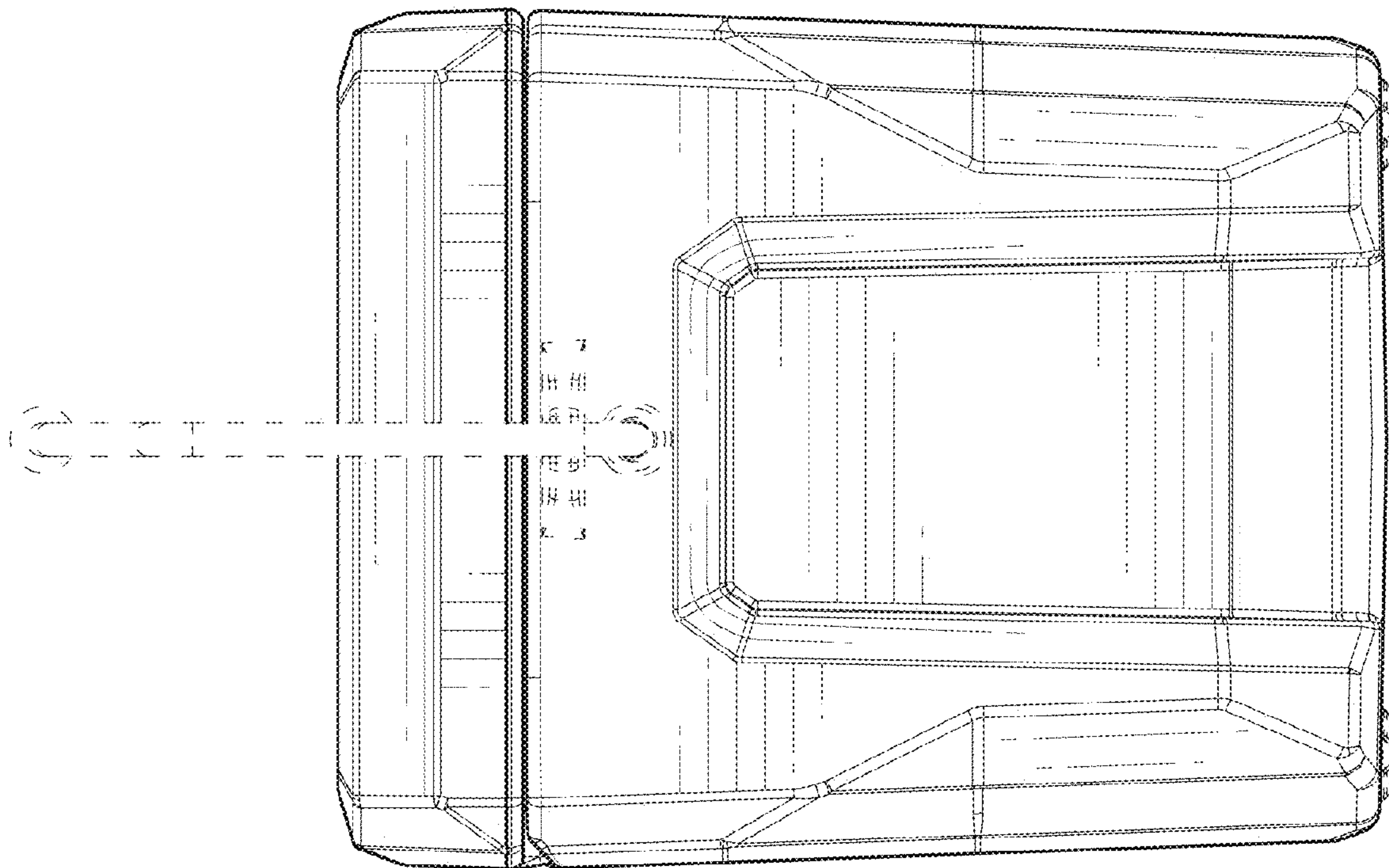


FIG. 5

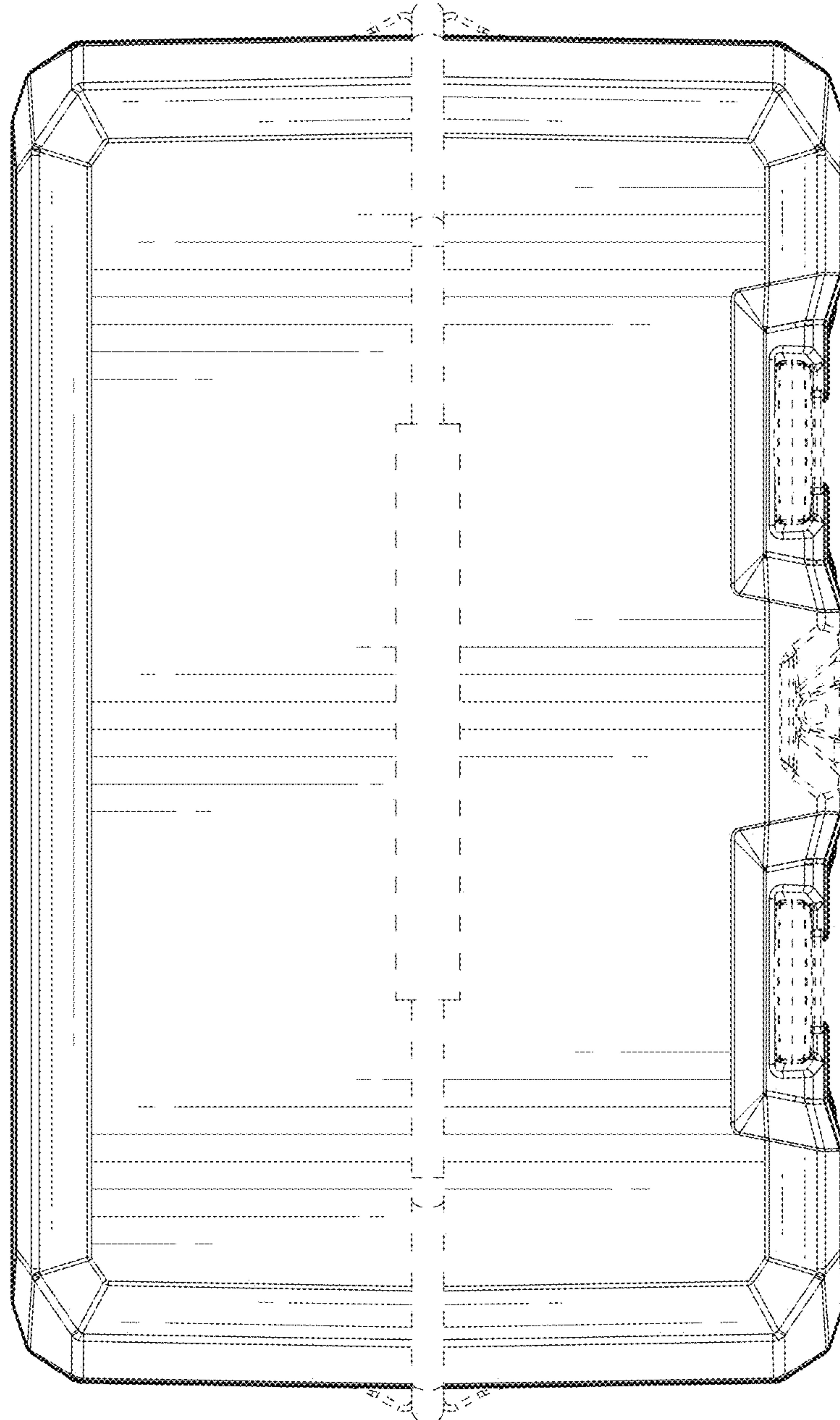


FIG. 7



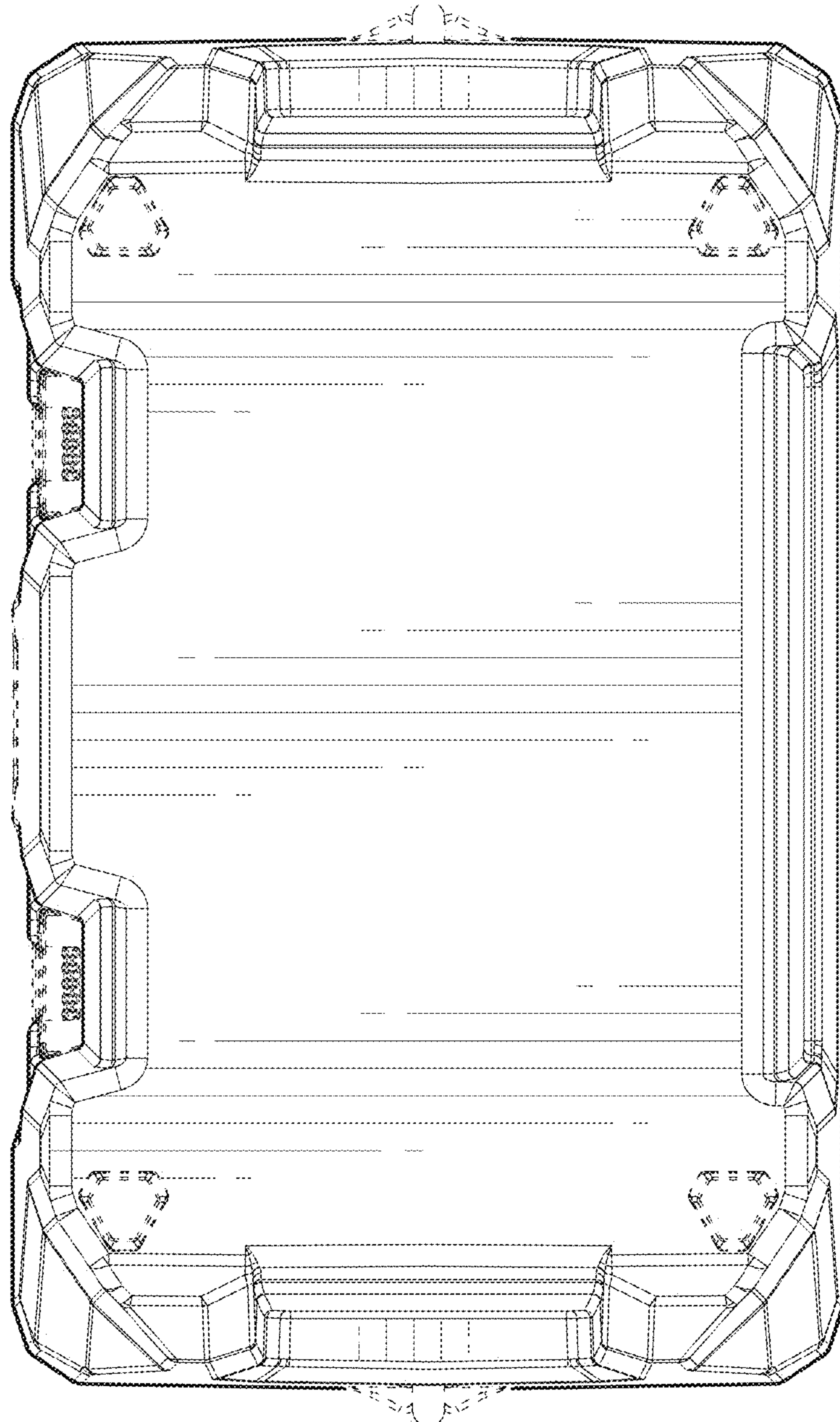


FIG. 8