



US00D892564S

(12) **United States Design Patent**
Xu

(10) **Patent No.:** **US D892,564 S**

(45) **Date of Patent:** **** *Aug. 11, 2020**

(54) **INNER BOX OF LUNCH BOX**

(71) Applicant: **Jingsheng Xu**, Hunan (CN)

(72) Inventor: **Jingsheng Xu**, Hunan (CN)

(*) Notice: This patent is subject to a terminal disclaimer.

(**) Term: **15 Years**

(21) Appl. No.: **29/643,054**

(22) Filed: **Apr. 4, 2018**

(51) **LOC (12) Cl.** **07-07**

(52) **U.S. Cl.**
USPC **D7/602**

(58) **Field of Classification Search**

USPC D7/601, 602, 553.1, 553.2, 553.4, 554.3,
D7/555, 553.5; D9/430; 426/85

CPC A47G 19/02; A47G 19/025; B65D 1/24;
B65D 1/36; A45C 11/20; B42F 9/00

See application file for complete search history.

(56) **References Cited**

U.S. PATENT DOCUMENTS

- D268,130 S * 3/1983 Easton D24/230
- D271,932 S * 12/1983 Mosley D7/553.5
- D272,486 S * 2/1984 Benedetti D12/419
- D280,059 S * 8/1985 Otto D7/538
- D305,085 S * 12/1989 Otto D7/505
- D336,592 S * 6/1993 DeGrow D7/396.1
- D342,893 S * 1/1994 Westbrook, Jr. D9/761
- 5,419,451 A * 5/1995 Bitel, Jr. B65D 1/36
206/508
- 6,471,084 B2 * 10/2002 Erb B65D 1/36
220/359.4
- D510,684 S * 10/2005 Crosby D3/313
- D631,300 S * 1/2011 Samartgis D7/602
- D649,838 S * 12/2011 Stamper D7/602
- D675,878 S * 2/2013 Shirley D7/602

- D680,426 S * 4/2013 Baker D9/431
- 8,517,196 B2 * 8/2013 Chang B42F 9/00
206/451
- D707,085 S * 6/2014 Carmichael D7/554.2
- D717,162 S * 11/2014 Baker D9/431
- D761,659 S * 7/2016 Schlieff D7/553.8
- D814,246 S * 4/2018 Brattoli D7/605
- D815,495 S * 4/2018 Barea D7/602
- D830,796 S * 10/2018 Chen D7/703
- D836,988 S * 1/2019 Dwork D7/553.1
- D837,607 S * 1/2019 Dwork D7/584
- D840,759 S * 2/2019 Wrightson D7/555
- 2005/0040161 A1 * 2/2005 Lin B65D 77/225
219/725
- 2006/0201950 A1 * 9/2006 Liu B65D 1/24
220/526
- 2011/0114526 A1 * 5/2011 Neumann A45C 11/20
206/459.5
- 2017/0245610 A1 * 8/2017 French A45C 11/20

* cited by examiner

Primary Examiner — Cynthia R Underwood

(74) *Attorney, Agent, or Firm* — Wayne & Ken, LLC;
Tony Hom

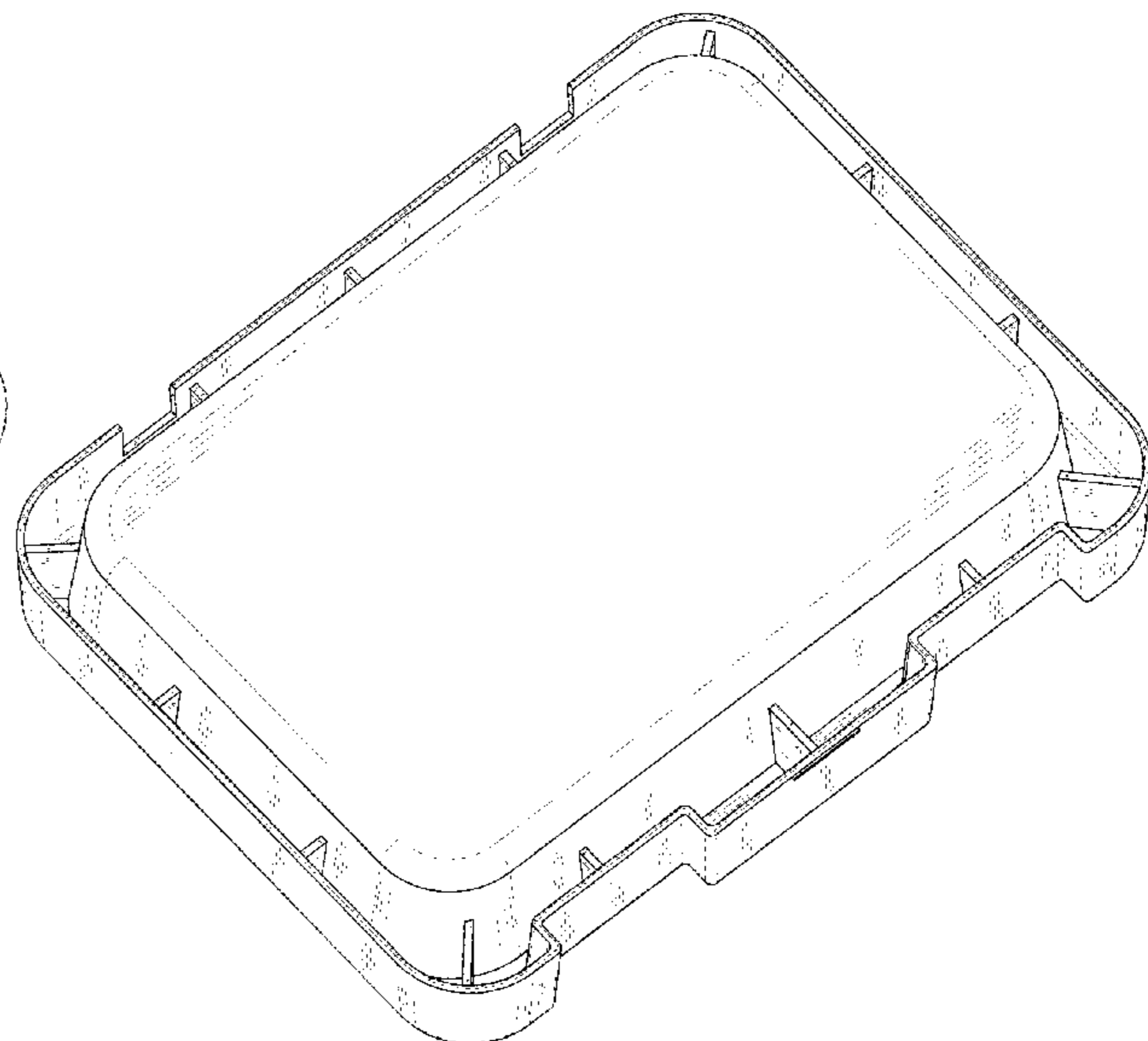
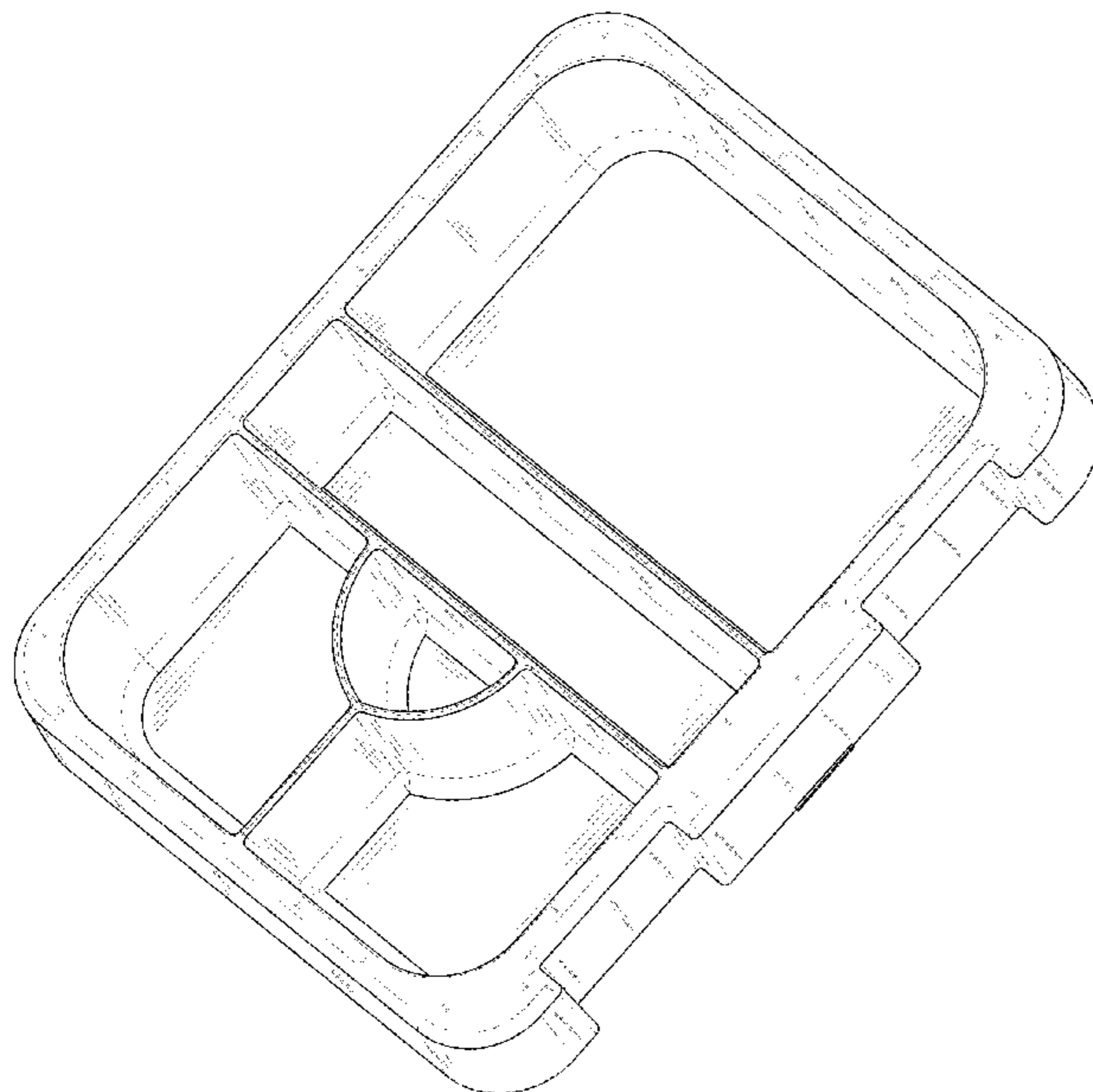
(57) **CLAIM**

The ornamental design for an inner box of a lunch box, as shown and described.

DESCRIPTION

FIG. 1 is a front view of an inner box of a lunch box showing my new design;
FIG. 2 is a back view thereof;
FIG. 3 is a right view thereof;
FIG. 4 is a left view thereof;
FIG. 5 is a top view thereof;
FIG. 6 is a bottom view thereof;
FIG. 7 is a top perspective view thereof; and,
FIG. 8 is a bottom perspective view thereof.

1 Claim, 8 Drawing Sheets



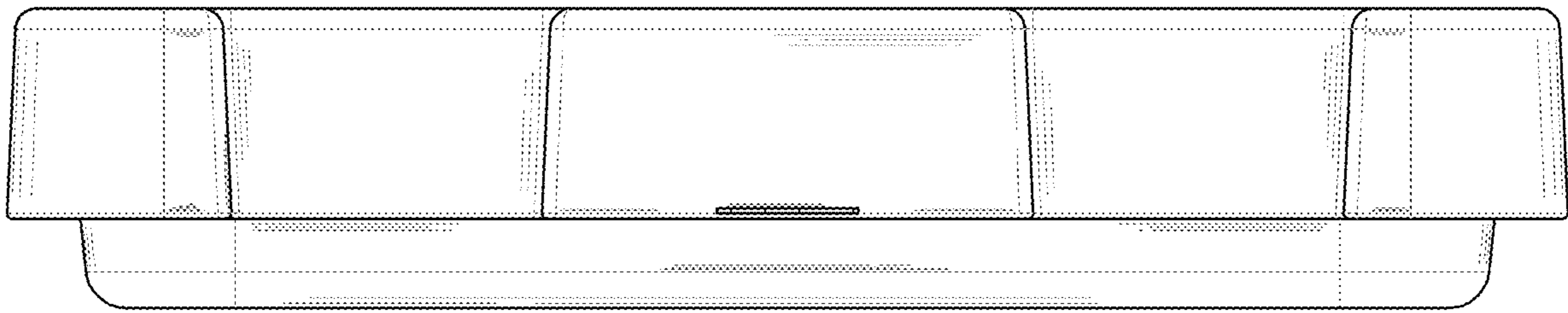


Fig. 1

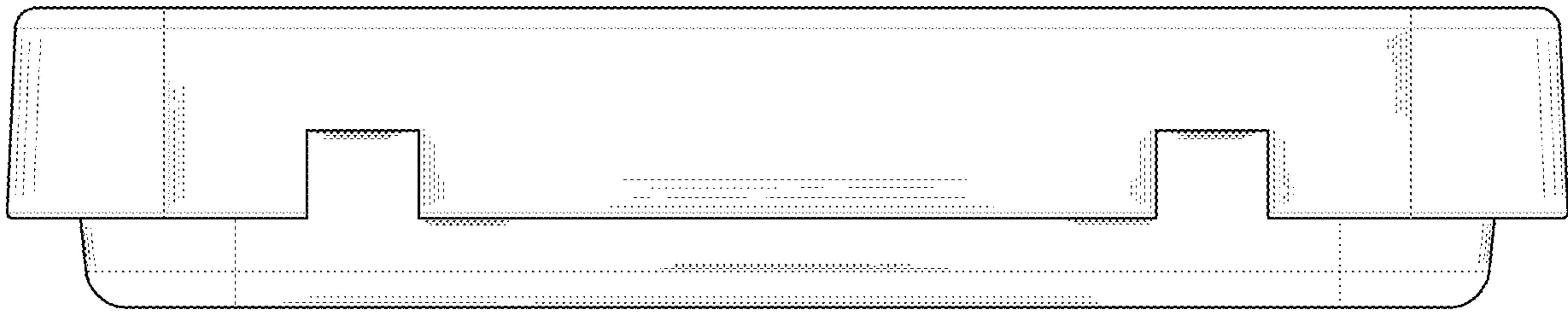


Fig. 2

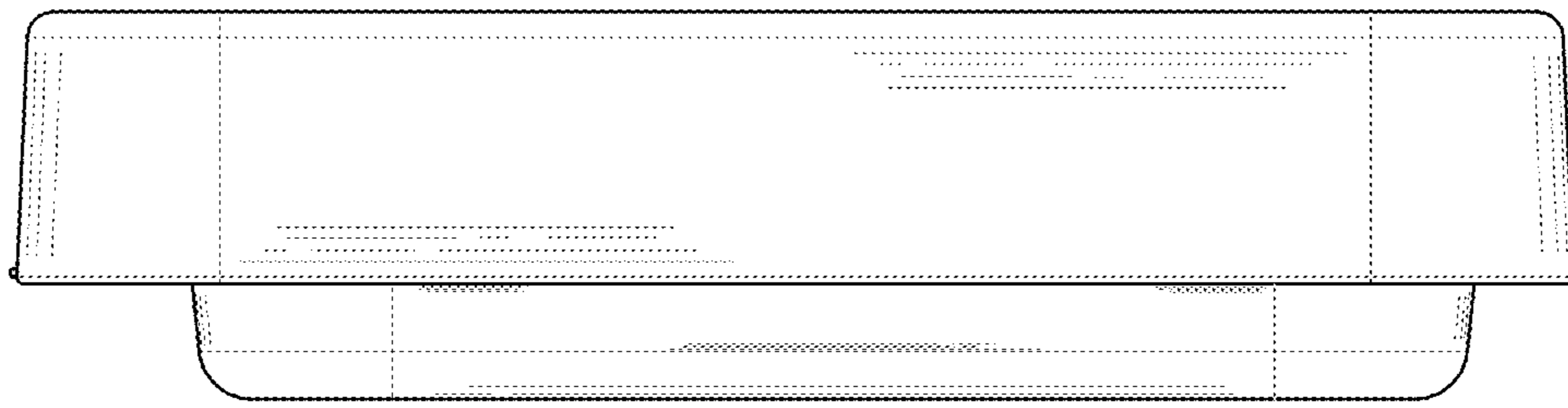


Fig. 3

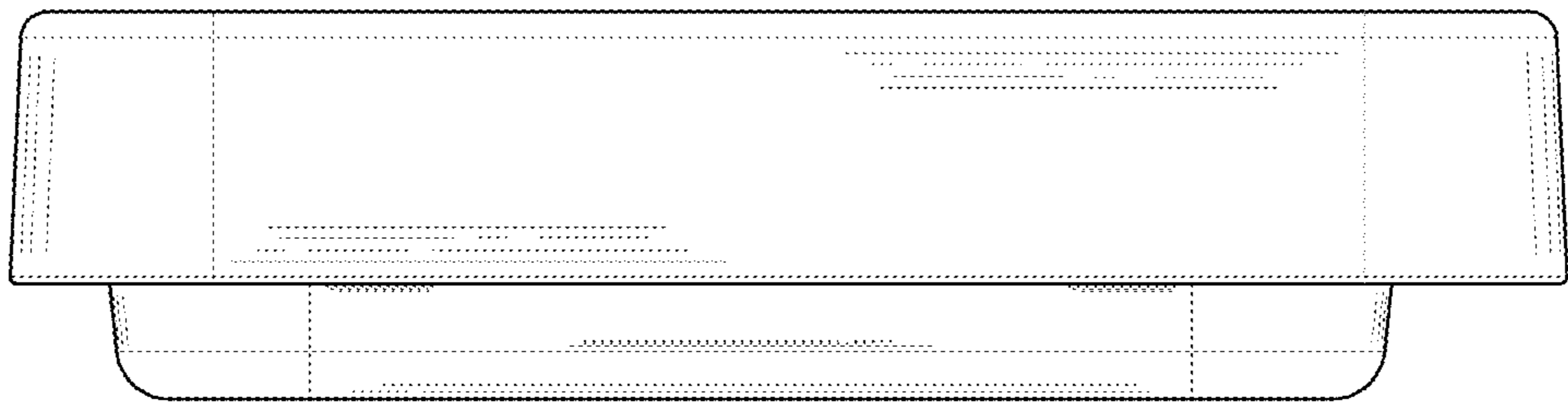


Fig. 4

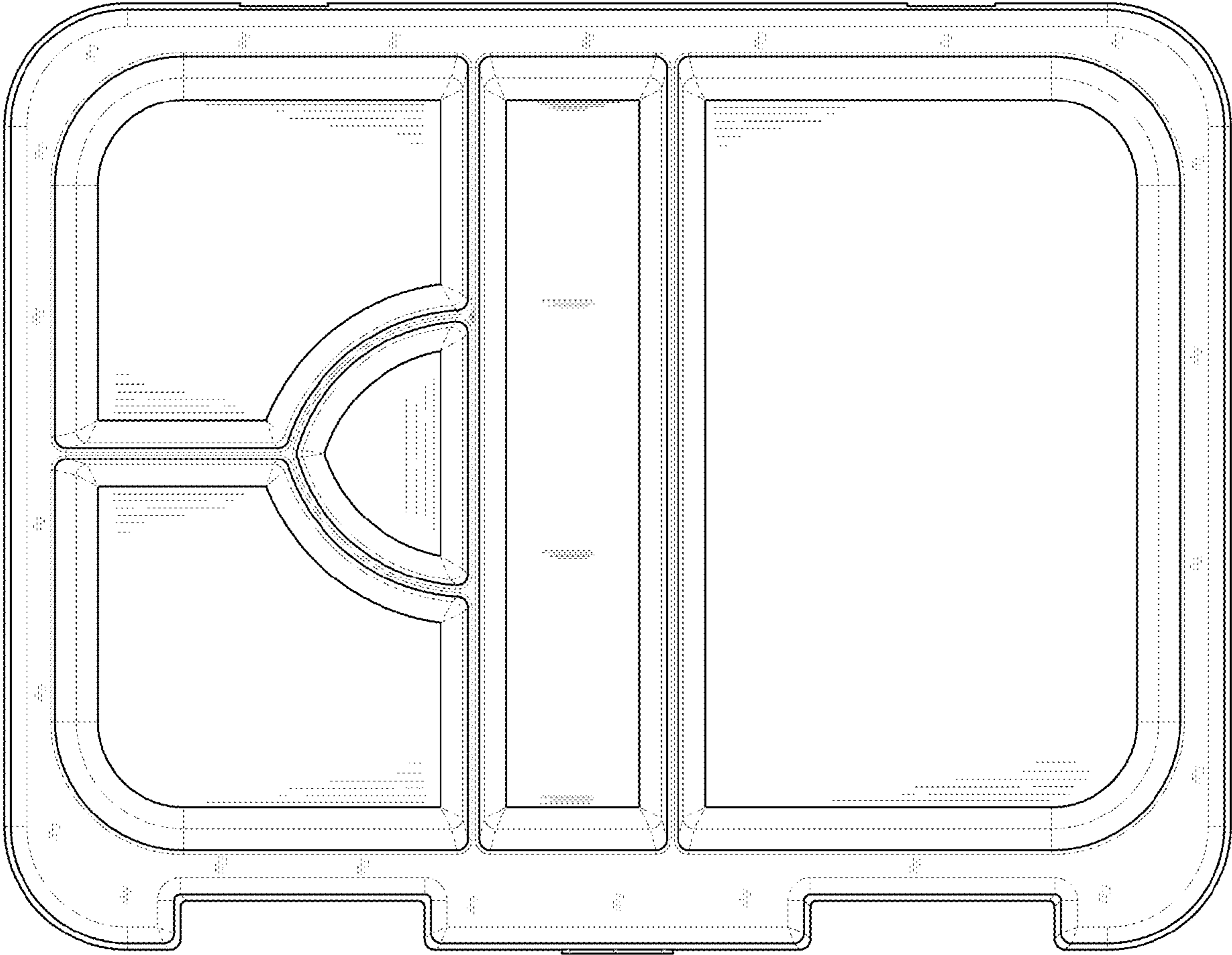


Fig. 5

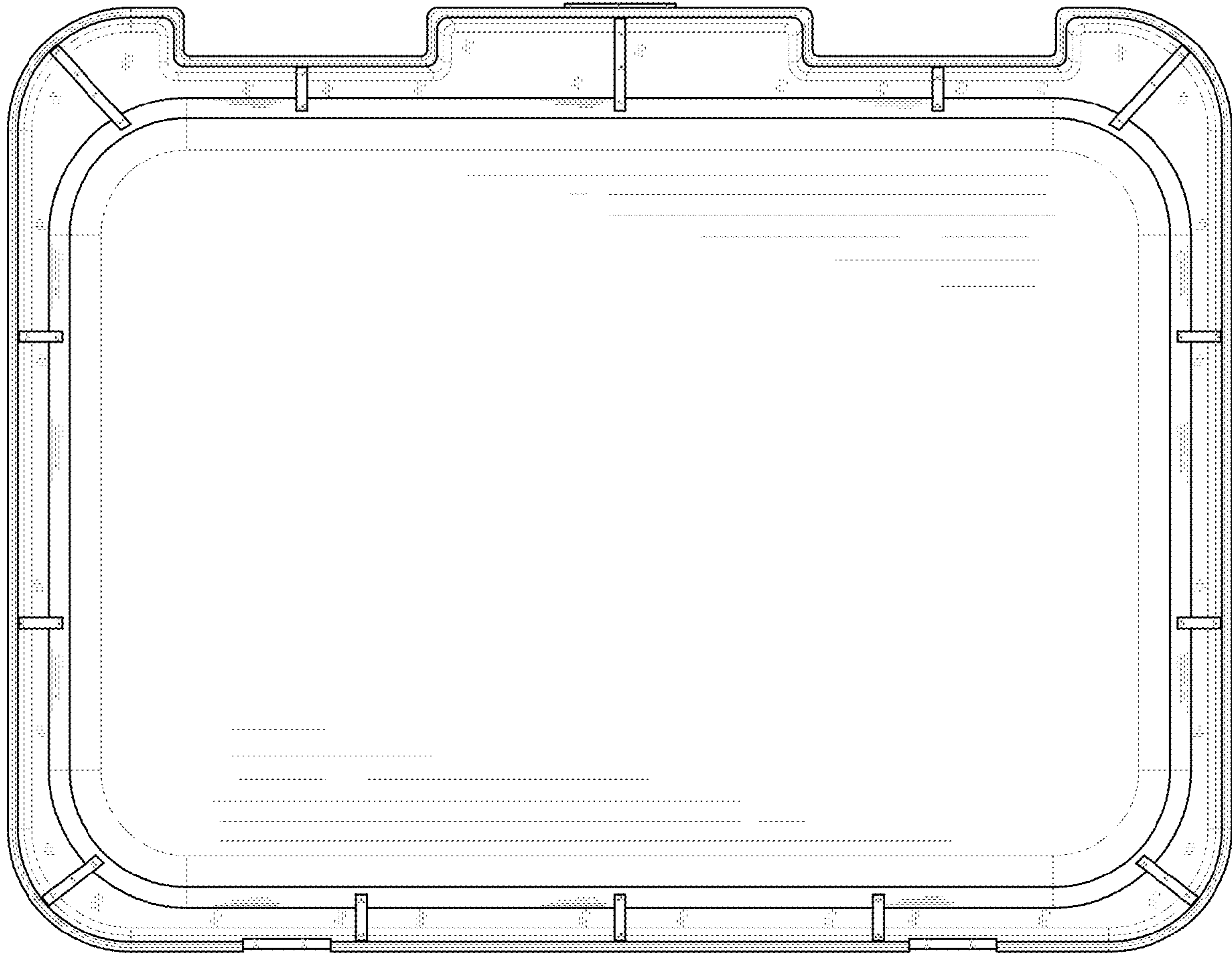


Fig. 6

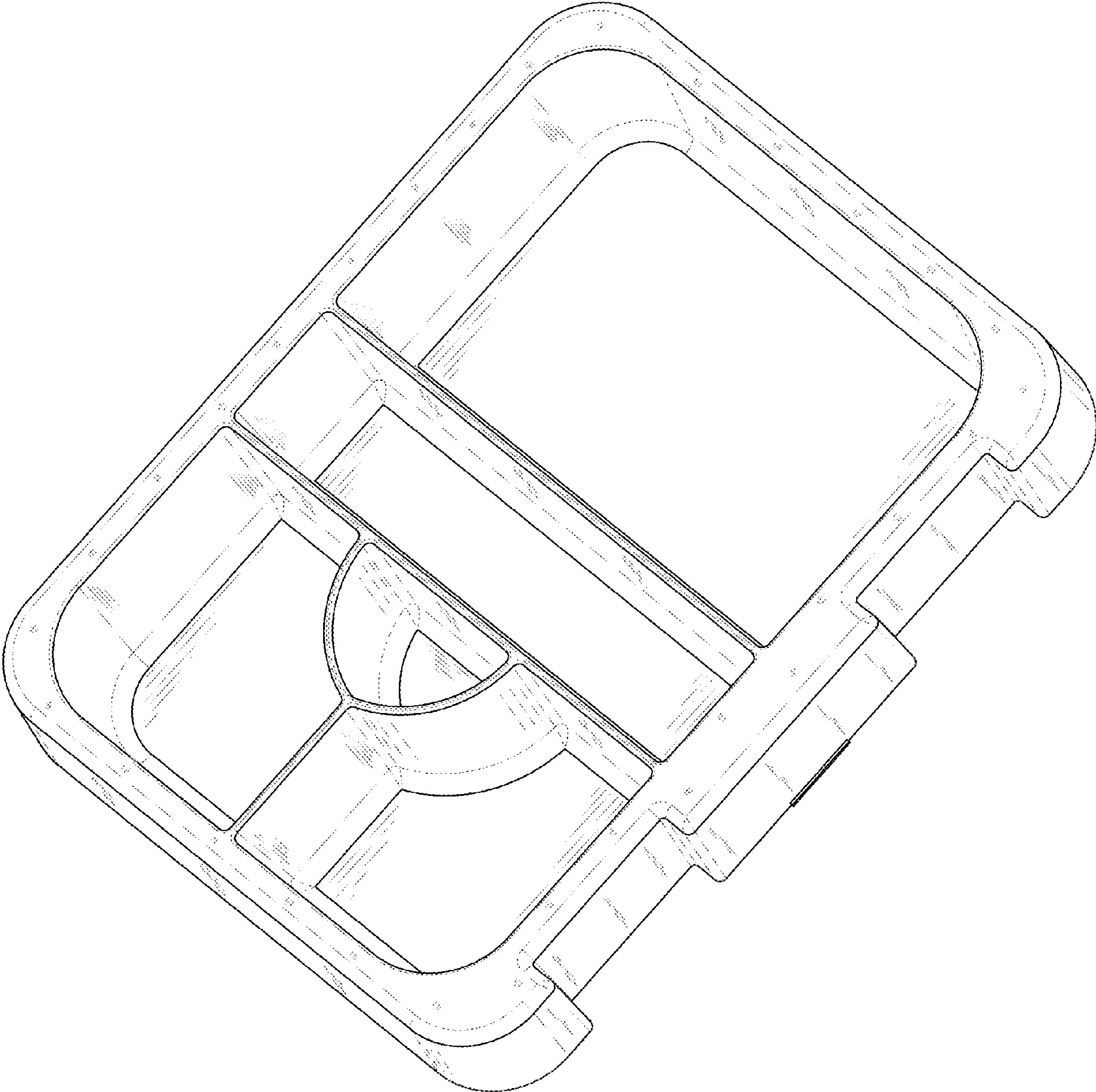


Fig. 7

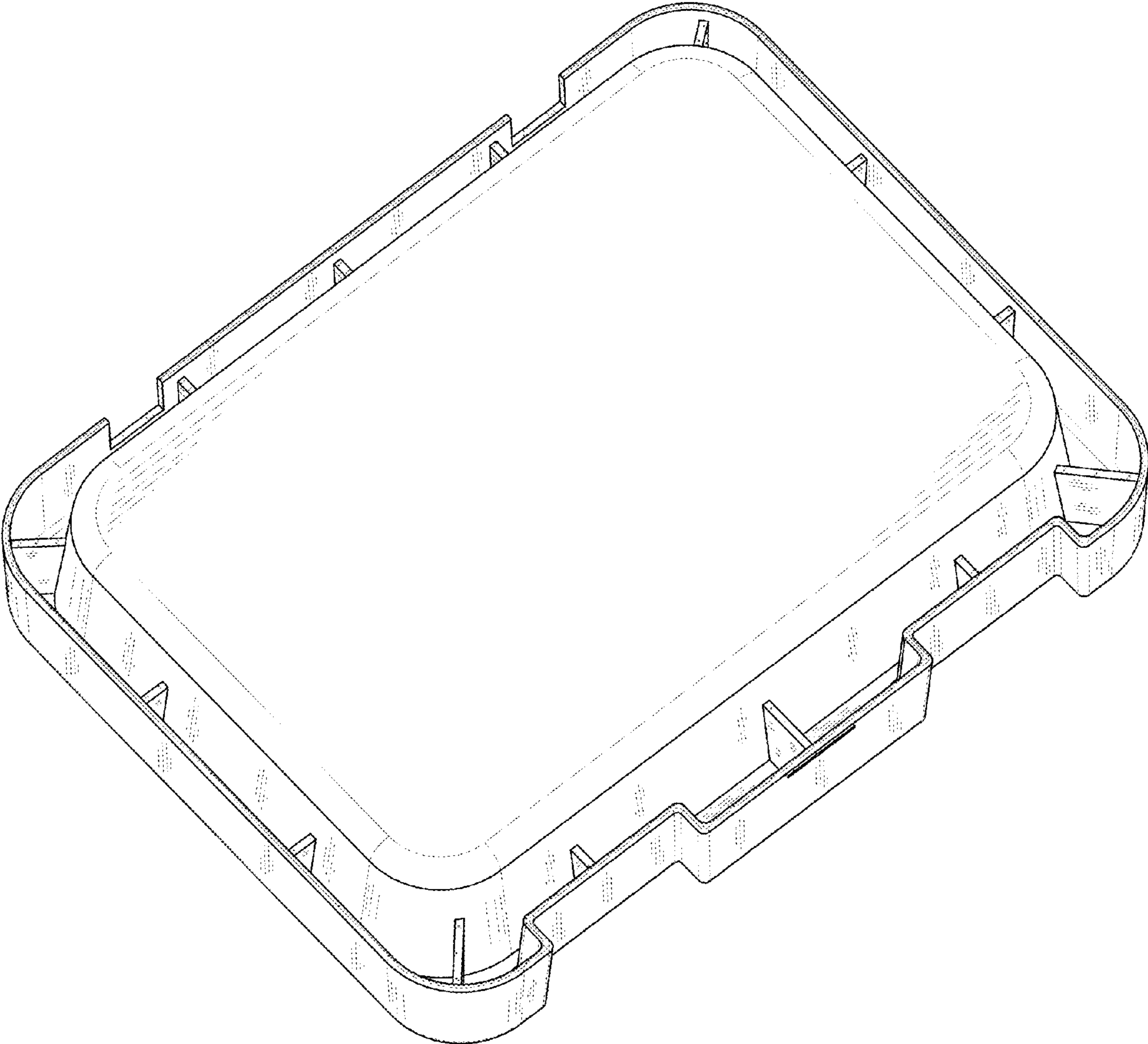


Fig. 8