



US00D892560S

(12) **United States Design Patent**  
**Wang et al.**

(10) **Patent No.:** **US D892,560 S**

(45) **Date of Patent:** **\*\* Aug. 11, 2020**

(54) **WATER BOTTLE WITH STRAW**

(71) Applicant: **SHEN ZHEN QUICK FIT PLASTIC CO., LTD.**, Shenzhen (CN)

(72) Inventors: **Qi Wang**, Shenzhen (CN); **Hui Kang**, Shenzhen (CN)

(\*\*) Term: **15 Years**

(21) Appl. No.: **29/685,885**

(22) Filed: **Apr. 1, 2019**

(30) **Foreign Application Priority Data**

Dec. 15, 2018 (CN) ..... 2018 3 0729299

(51) **LOC (12) Cl.** ..... **07-01**

(52) **U.S. Cl.**  
USPC ..... **D7/511; D7/510; D7/529**

(58) **Field of Classification Search**  
USPC ..... D7/507, 509, 510, 511, 529, 531, 532,  
D7/523, 533, 534, 535, 536, 392.1, 296.1,  
D7/396.2; D9/531, 503, 516, 517, 435;  
D3/202

CPC ..... A47G 19/22; A47G 19/2288; A47G  
19/2205; A47G 19/2266; A45F 3/16  
See application file for complete search history.

(56) **References Cited**

**U.S. PATENT DOCUMENTS**

D528,921 S \* 9/2006 Leoncavallo ..... D7/511  
D786,018 S \* 5/2017 Willows ..... D7/509

D807,110 S 1/2018 Lown  
D843,784 S \* 3/2019 Black ..... D7/507  
D875,479 S 2/2020 Seiders et al.  
D879,555 S \* 3/2020 Wang ..... D7/510  
2019/0021529 A1\* 1/2019 Schucker ..... A47G 19/2272

**OTHER PUBLICATIONS**

[https://www.amazon.com/QuiFit-Motivational-Gallon-Bottle-Marker/dp/B081PYLRNW/ref=sr\\_1\\_7?dchild=1&keywords=QuiFit+Motivational+Gallon+Water+Bottle+with+Straw&qid=1588194722&sr=8-7](https://www.amazon.com/QuiFit-Motivational-Gallon-Bottle-Marker/dp/B081PYLRNW/ref=sr_1_7?dchild=1&keywords=QuiFit+Motivational+Gallon+Water+Bottle+with+Straw&qid=1588194722&sr=8-7) (Year: 2019).\*

\* cited by examiner

*Primary Examiner* — Jae Liang

(74) *Attorney, Agent, or Firm* — Erson IP (Nelson IP)

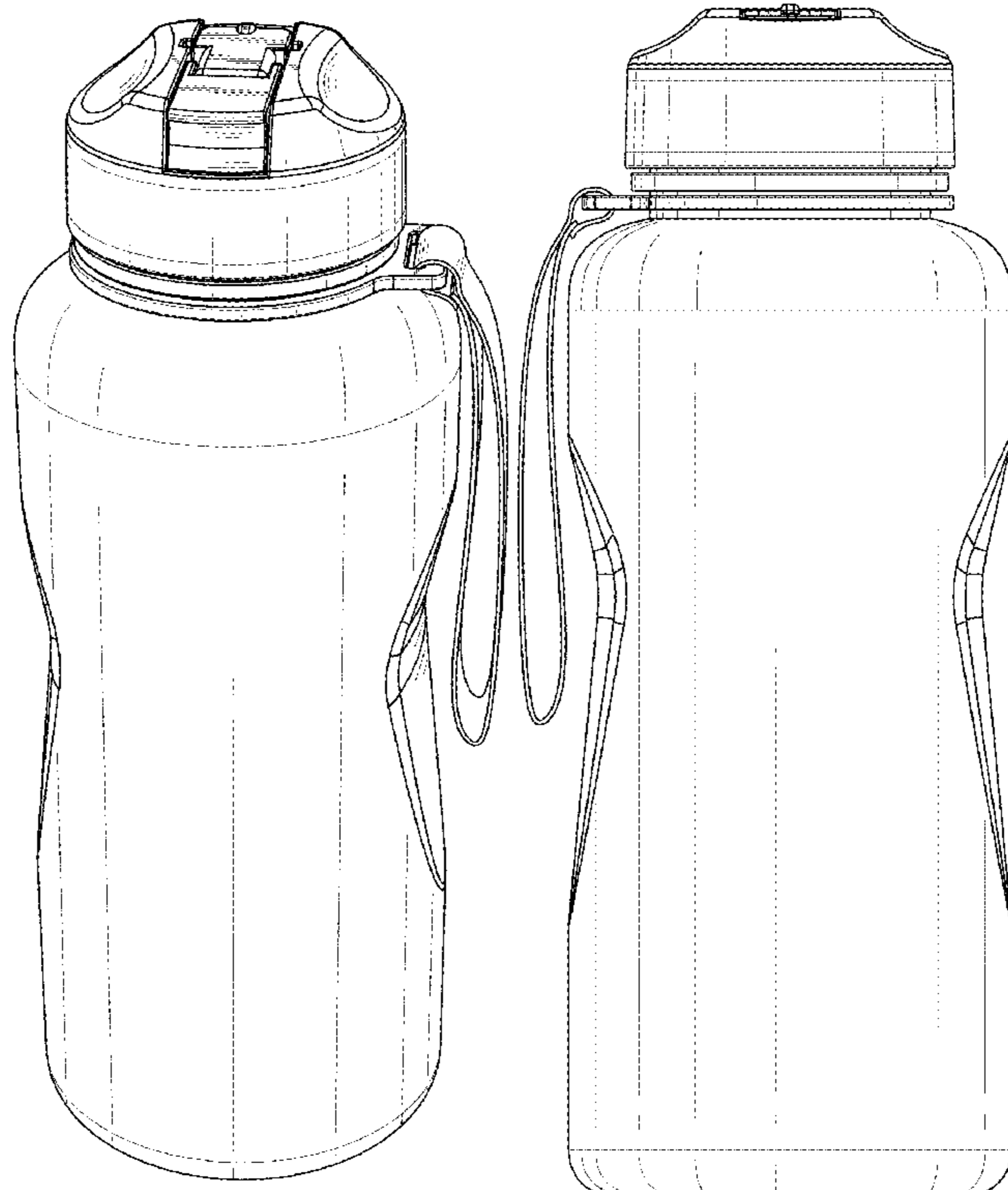
(57) **CLAIM**

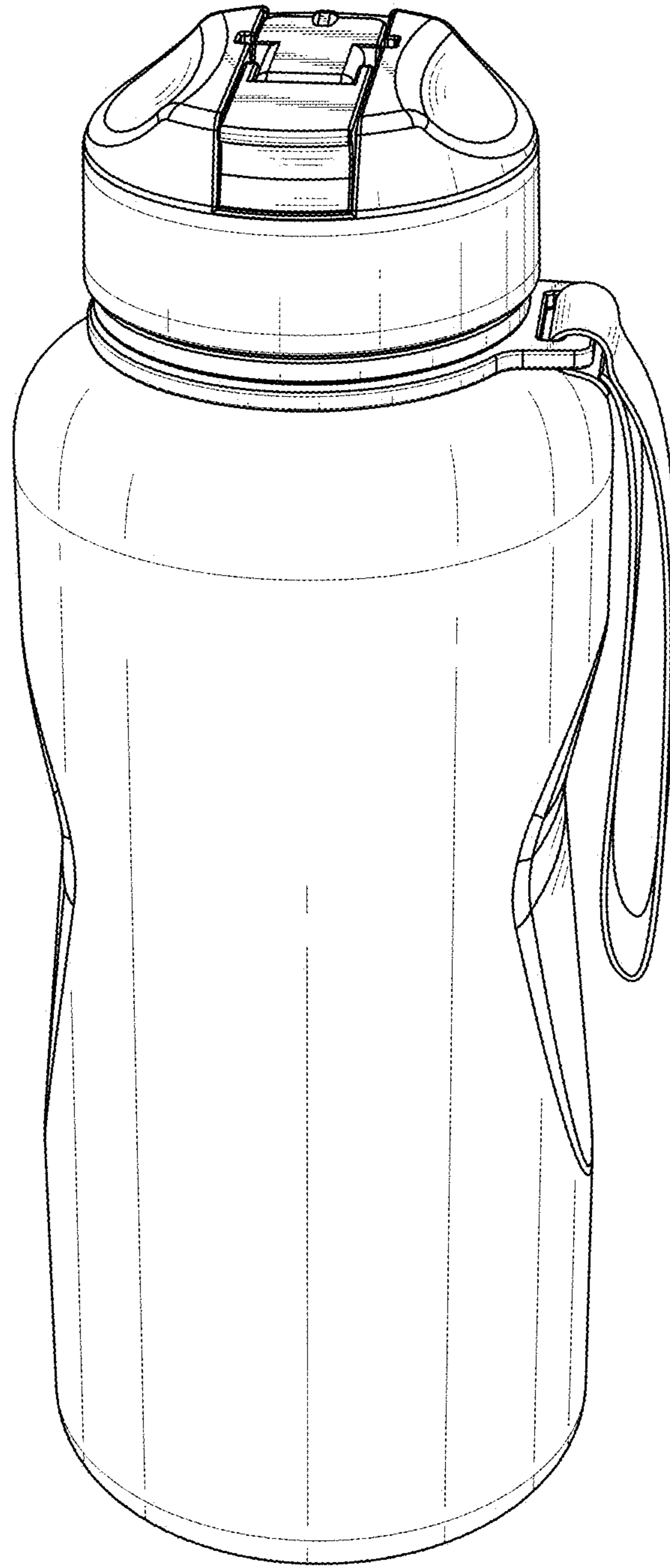
The ornamental design for a water bottle with straw, as shown and described.

**DESCRIPTION**

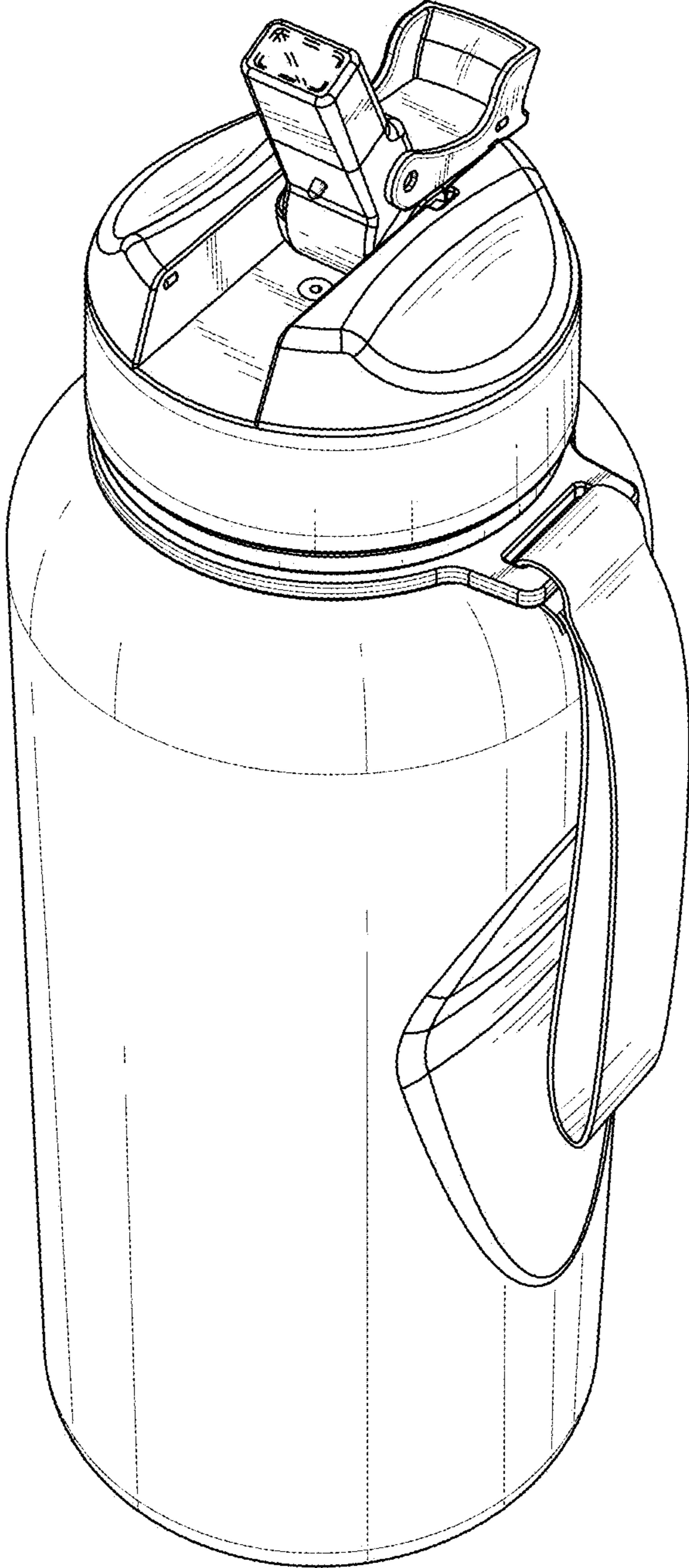
FIG. 1 is a perspective view of a water bottle with straw showing my new design;  
FIG. 2 is a perspective view thereof with the cover in its open position;  
FIG. 3 is a front view thereof;  
FIG. 4 is a rear view thereof;  
FIG. 5 is a left side view thereof;  
FIG. 6 is a right side view thereof;  
FIG. 7 is a top plan view thereof; and,  
FIG. 8 is a bottom plan view thereof.  
The broken lines are for the purposes of illustrating portions of the water bottle with straw and form no part of the claimed design.

**1 Claim, 8 Drawing Sheets**

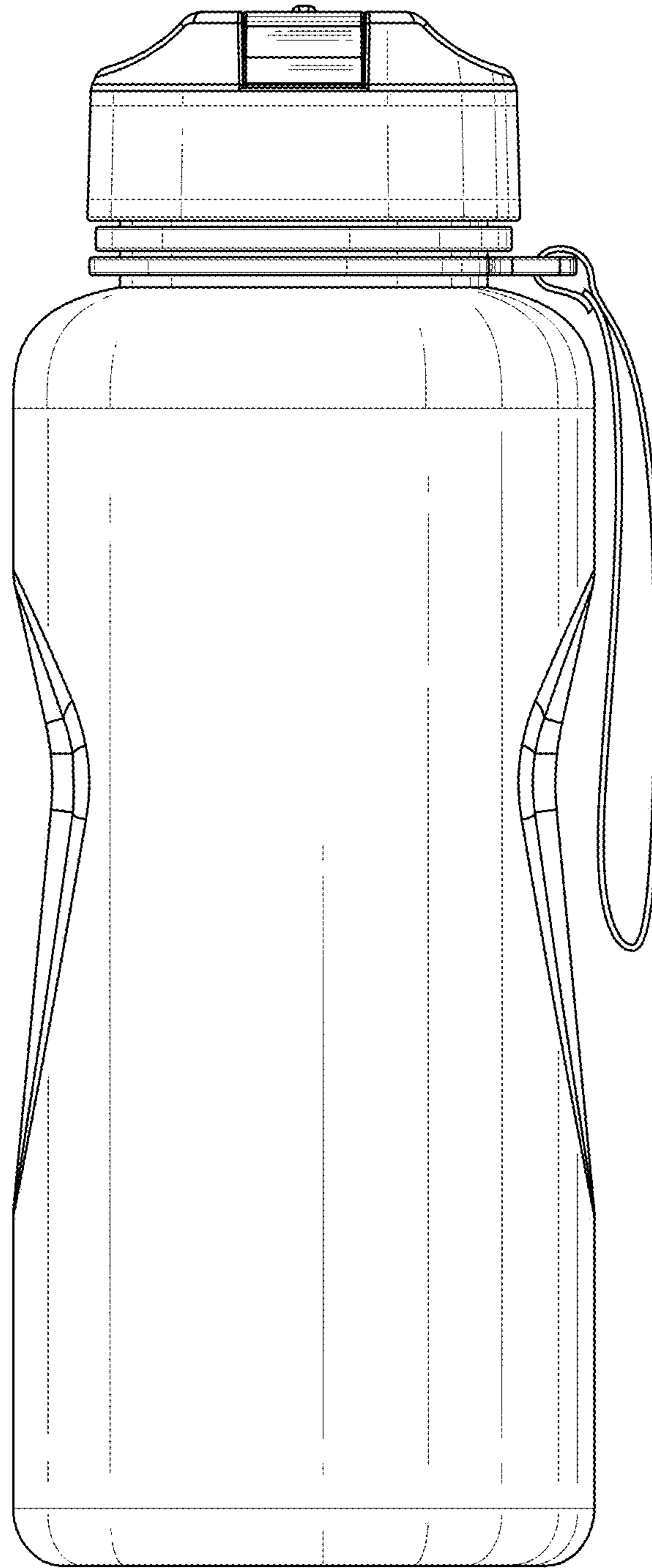




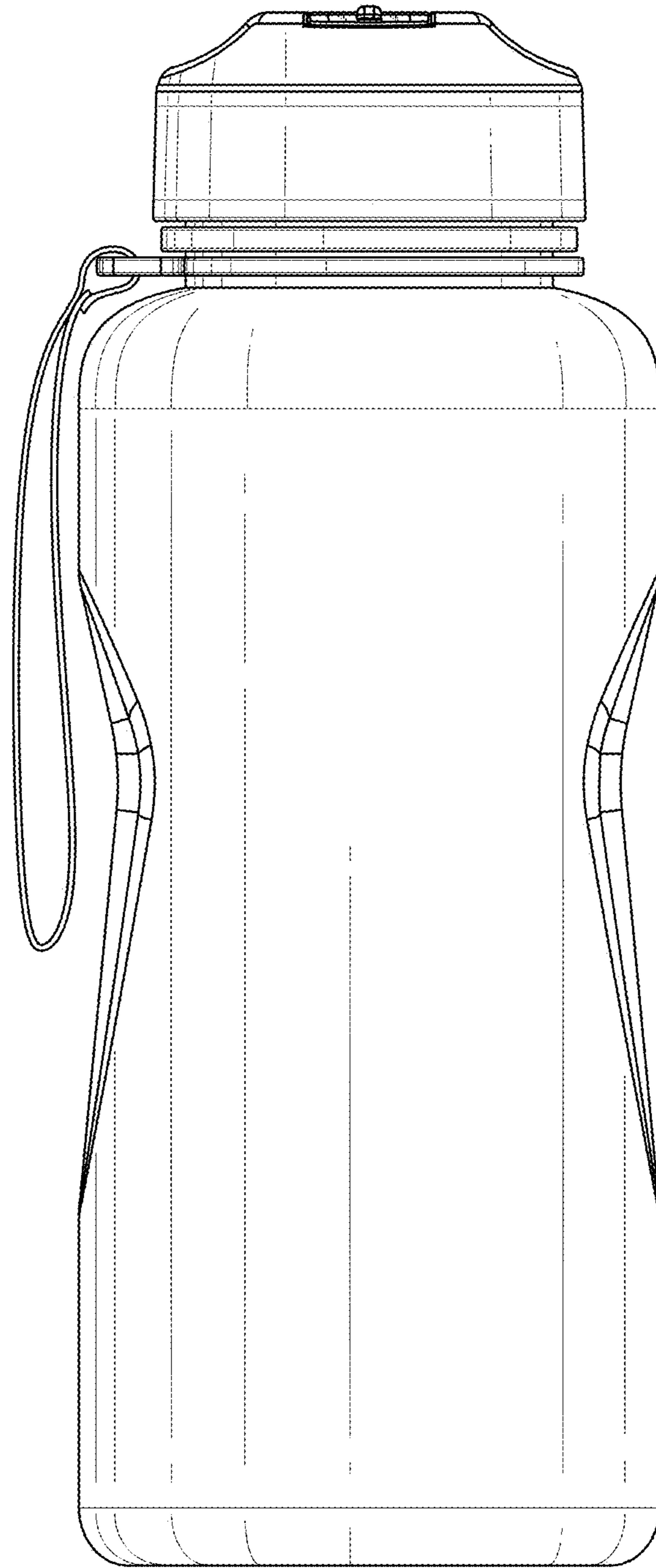
**Fig.1**



**Fig.2**

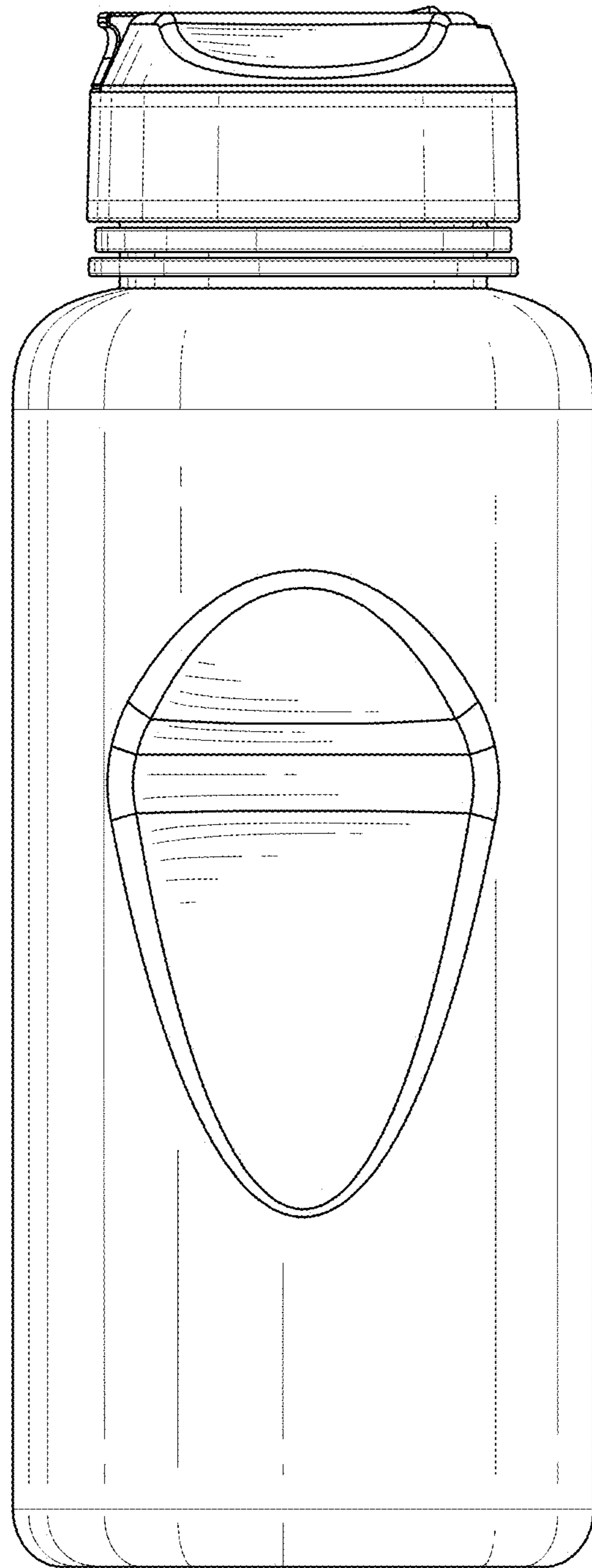


**Fig.3**

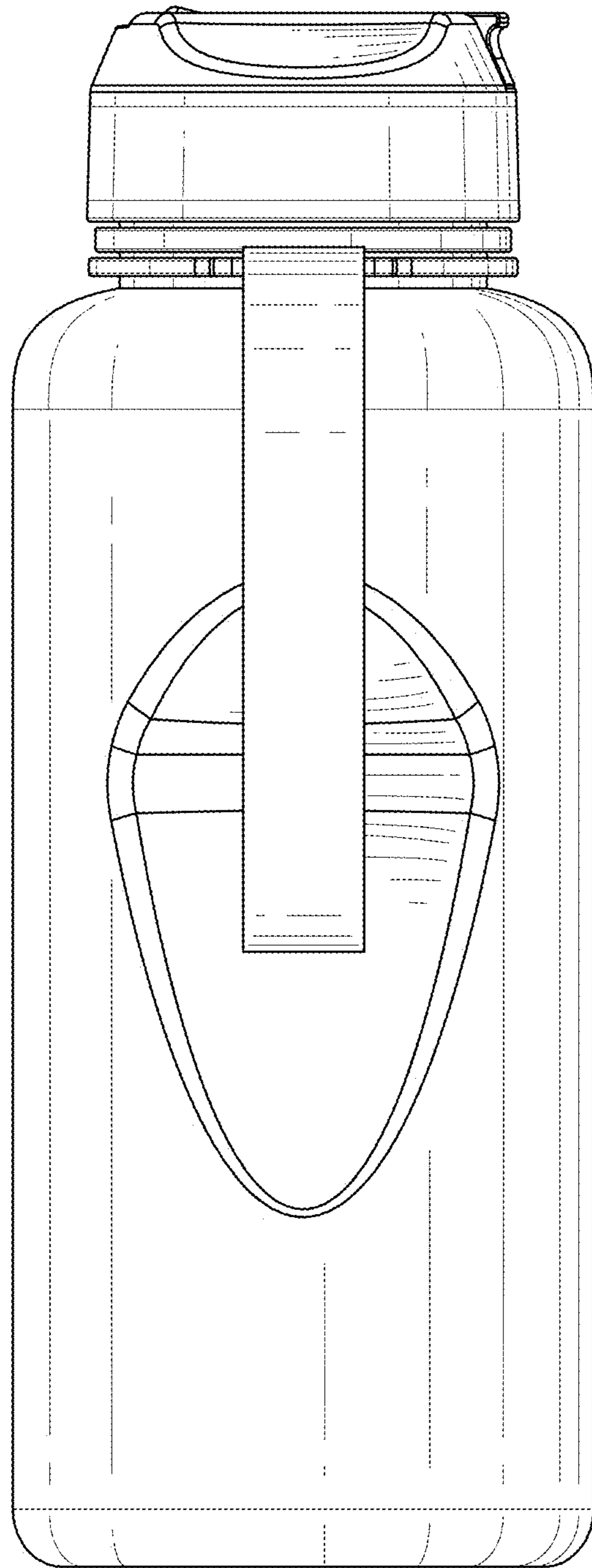


**Fig.4**

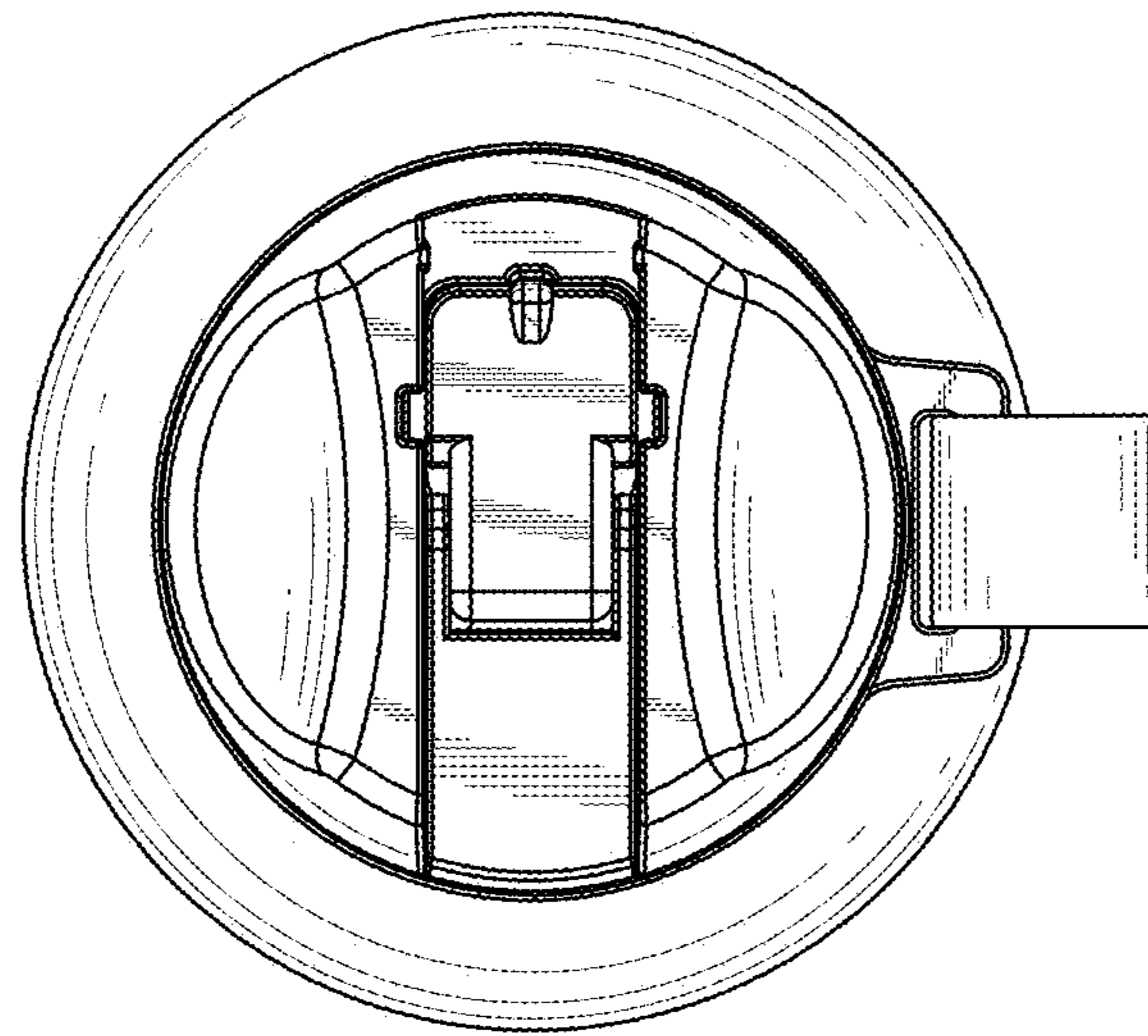




**Fig.5**

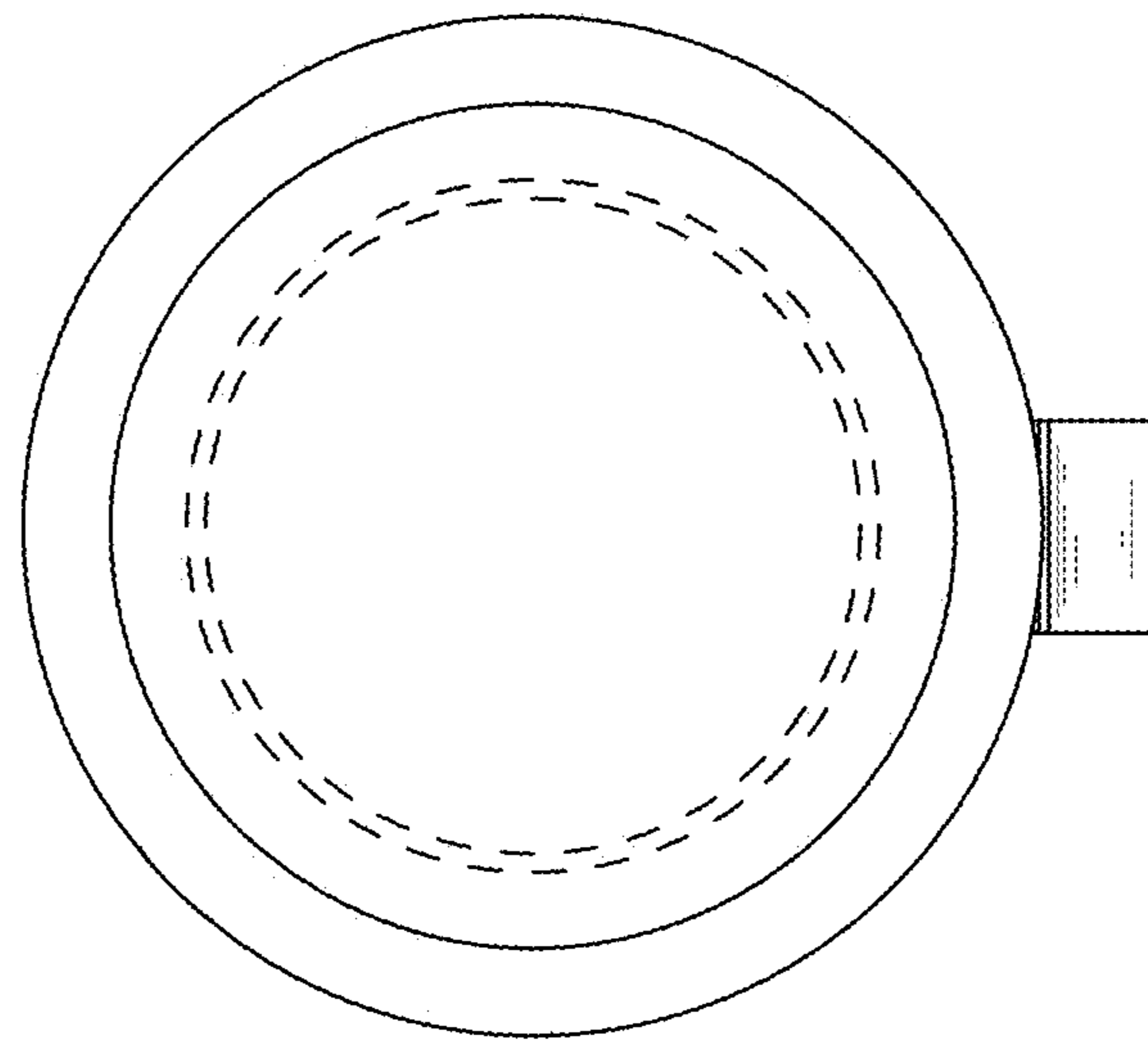


**Fig.6**



**Fig.7**





**Fig.8**