



US00D892558S

(12) **United States Design Patent** (10) **Patent No.:** **US D892,558 S**
Wang et al. (45) **Date of Patent:** **** Aug. 11, 2020**

(54) **WATER BOTTLE WITH FLIP CAP**

OTHER PUBLICATIONS

(71) Applicant: **SHEN ZHEN QUICK FIT PLASTIC CO., LTD.**, Shenzhen (CN)

(72) Inventors: **Qi Wang**, Shenzhen (CN); **Hui Kang**, Shenzhen (CN)

(**) Term: **15 Years**

(21) Appl. No.: **29/693,785**

(22) Filed: **Jun. 5, 2019**

(30) **Foreign Application Priority Data**

Dec. 20, 2018 (CN) 2018 3 0743167

(51) **LOC (12) Cl.** **07-01**

(52) **U.S. Cl.**
USPC **D7/510; D7/511; D7/529**

(58) **Field of Classification Search**
USPC D7/507, 509, 510, 511, 529, 531, 532, D7/523, 533, 534, 535, 536, 392.1, 296.1, D7/396.2, 608; D9/531, 503, 516, 517, D9/435; D3/202
CPC A47G 19/22; A47G 19/2288; A47G 19/2205; A47G 19/2266; A45F 3/16
See application file for complete search history.

(56) **References Cited**

U.S. PATENT DOCUMENTS

- D596,460 S * 7/2009 Nezu D7/510
- D761,058 S * 7/2016 Ou D7/510
- D786,018 S * 5/2017 Willows D7/509
- D807,110 S 1/2018 Lown
- D817,713 S * 5/2018 Lin D7/510
- D848,787 S * 5/2019 Tatsukawa D7/392.1
- D856,757 S * 8/2019 Seiders D7/608
- D865,457 S * 11/2019 Kotani D7/608
- D875,479 S 2/2020 Seiders et al.
- 2019/0021529 A1 * 1/2019 Schucker A47G 19/2272

- https://www.amazon.com/Motivational-bottle-Marker-HOLDER-Running/dp/B08173FF9H/ref=sr_1_7?dchild=1&keywords=WATER%2BBOTTLE%2BWITH%2BBOUNCING%2BCAP&qid=1588198428&sr=8-7&th=1 (Year: 2019).*
- https://www.amazon.com/Embrava-Best-Sports-Water-Bottle/dp/B01FSM3CWC/ref=sr_1_5?dchild=1&keywords=lakibole%2B32%2Boz%2Bwater%2Bbottle%2Bbpa%2Bfree&qid=1588198588&sr=8-5&th=1 (Year: 2015).*
- https://www.amazon.com/GIARDE-Flip-Flop-Leakproof-Dustproof-Activities/dp/B07Z3JVD1W/ref=sr_1_2?dchild=1&keywords=GIARIDE+Tritan+Water+Bottle+32oz+BPA-Free+Sports&qid=1588272146&sr=8-2 (Year: 2019).*

* cited by examiner

Primary Examiner — Jae Liang

(74) *Attorney, Agent, or Firm* — Erson IP (Nelson IP)

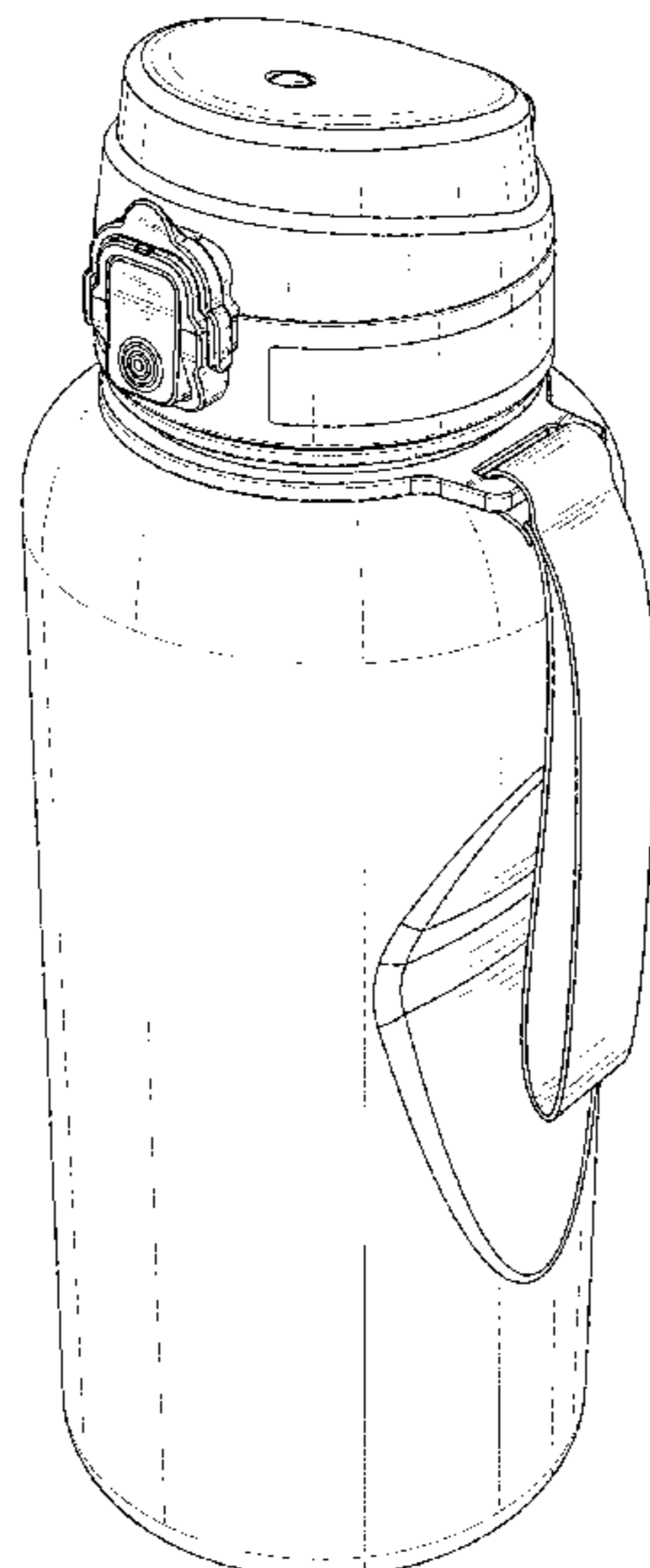
(57) **CLAIM**

The ornamental design for a water bottle with flip cap, as shown and described.

DESCRIPTION

FIG. 1 is a perspective view of a water bottle with flip cap showing my new design;
 FIG. 2 is a perspective view thereof with the lid shown separately to show aspects of the design that may not be apparent in the other views;
 FIG. 3 is a front view thereof;
 FIG. 4 is a rear view thereof;
 FIG. 5 is a left side view thereof;
 FIG. 6 is a right side view thereof;
 FIG. 7 is a top plan view thereof; and,
 FIG. 8 is a bottom plan view thereof.
 The broken lines are for the purposes of illustrating portions of the water bottle with flip cap and form no part of the claimed design.

1 Claim, 8 Drawing Sheets



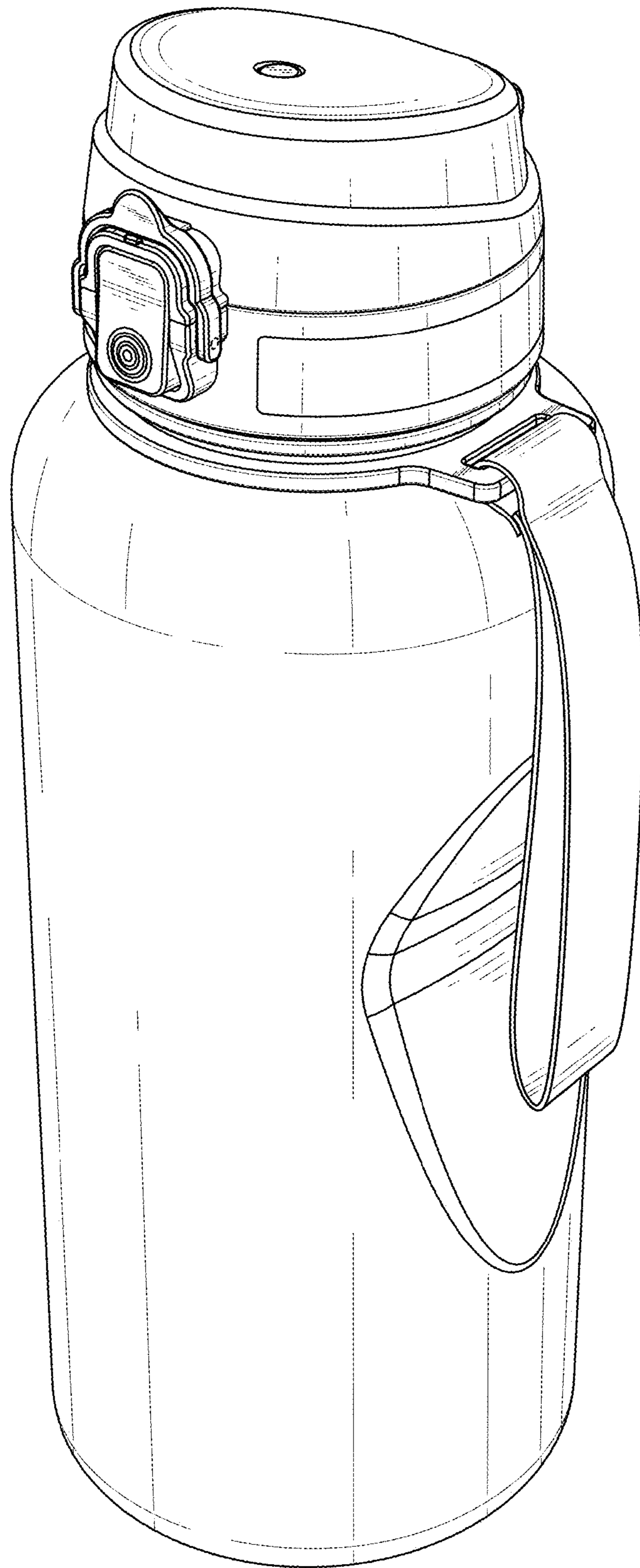


FIG. 1

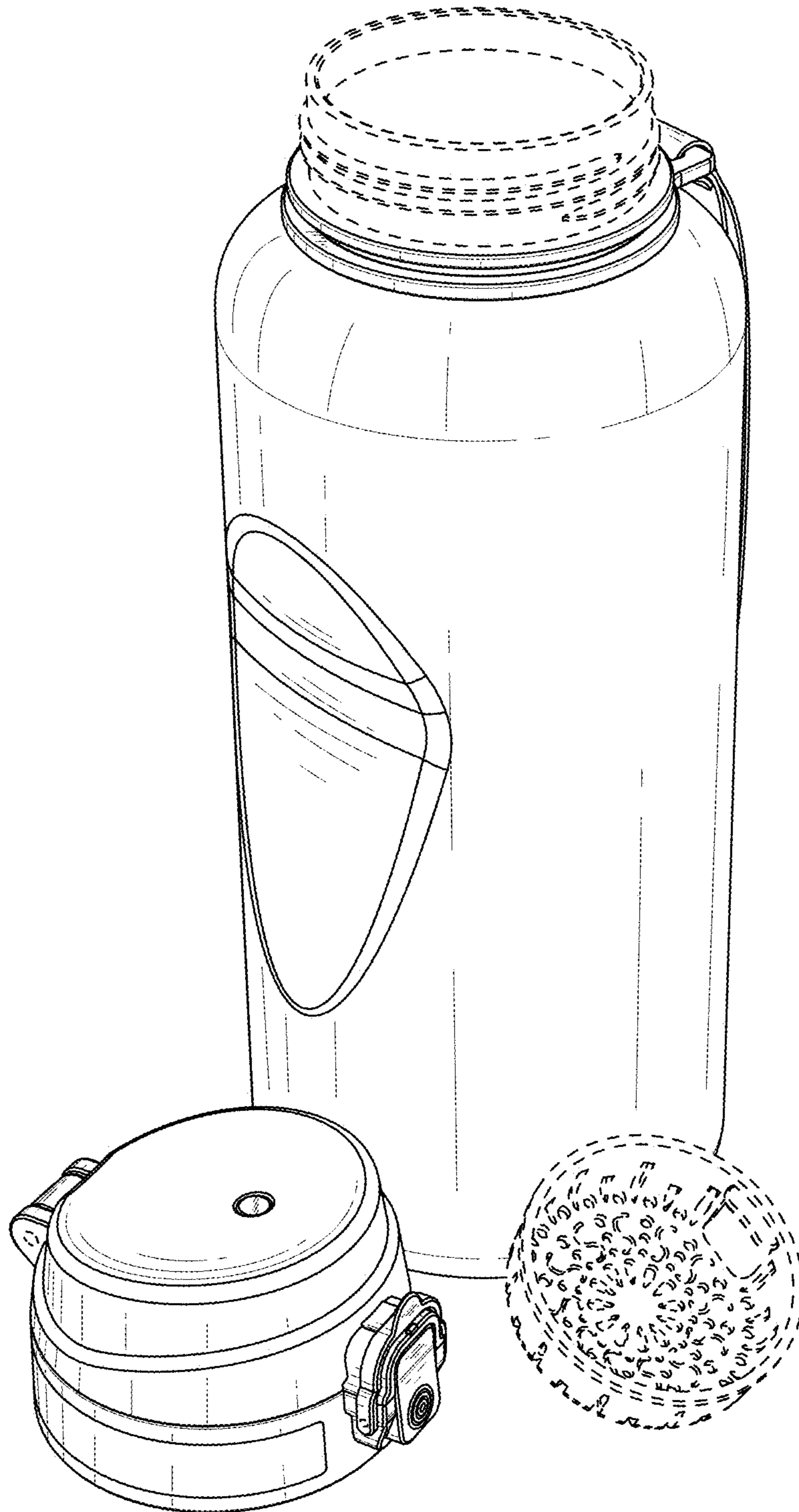


FIG. 2

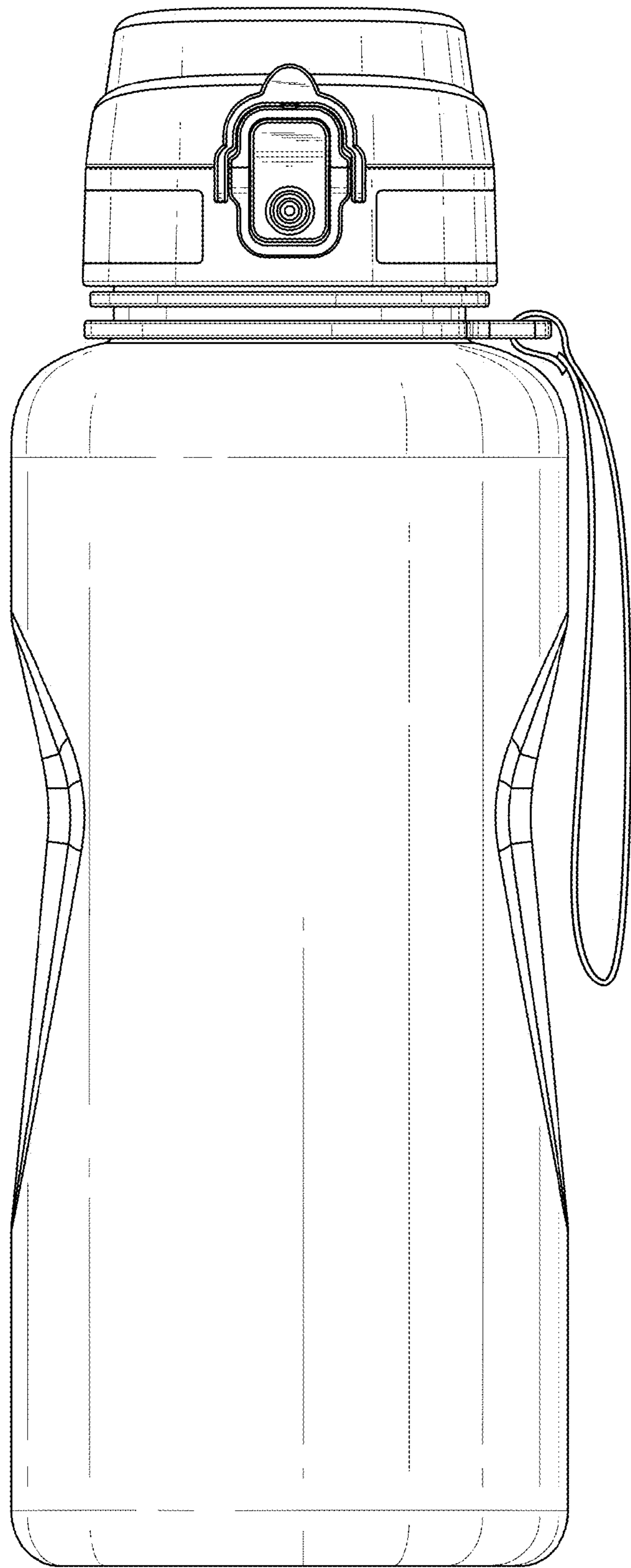


FIG. 3

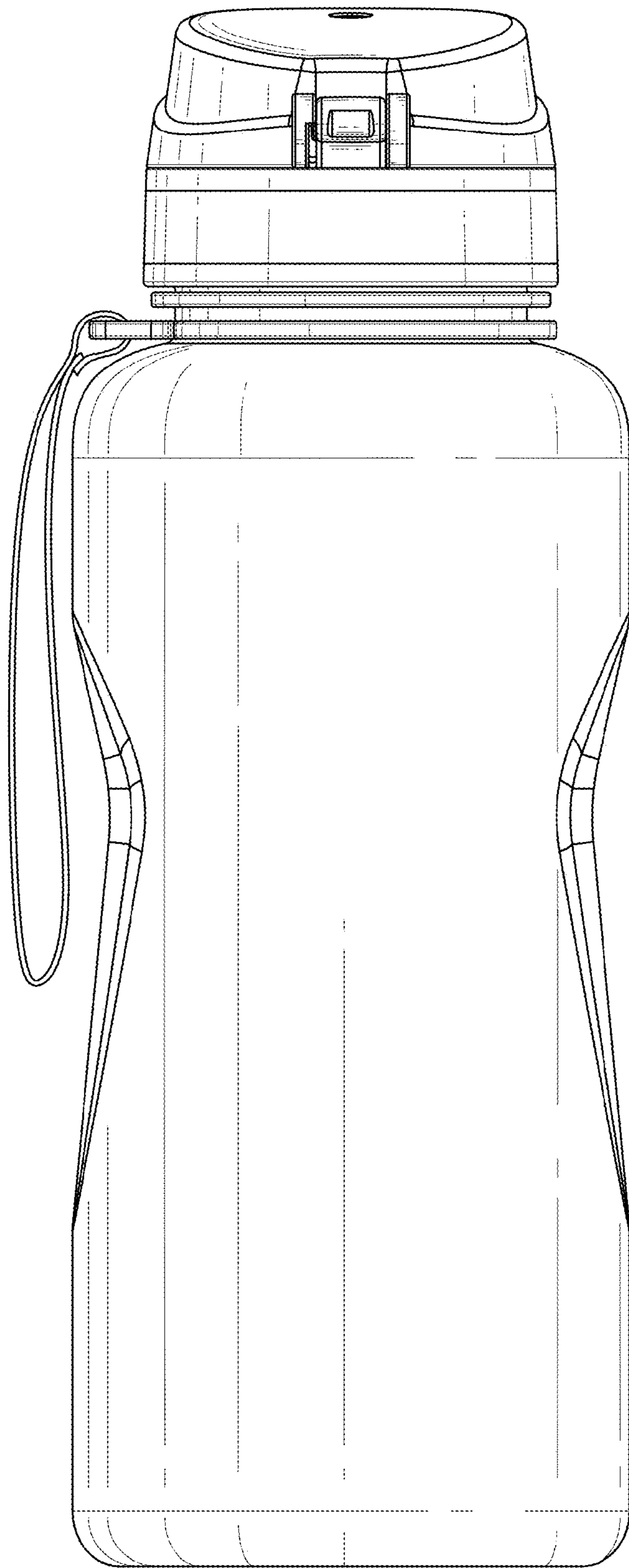


FIG. 4

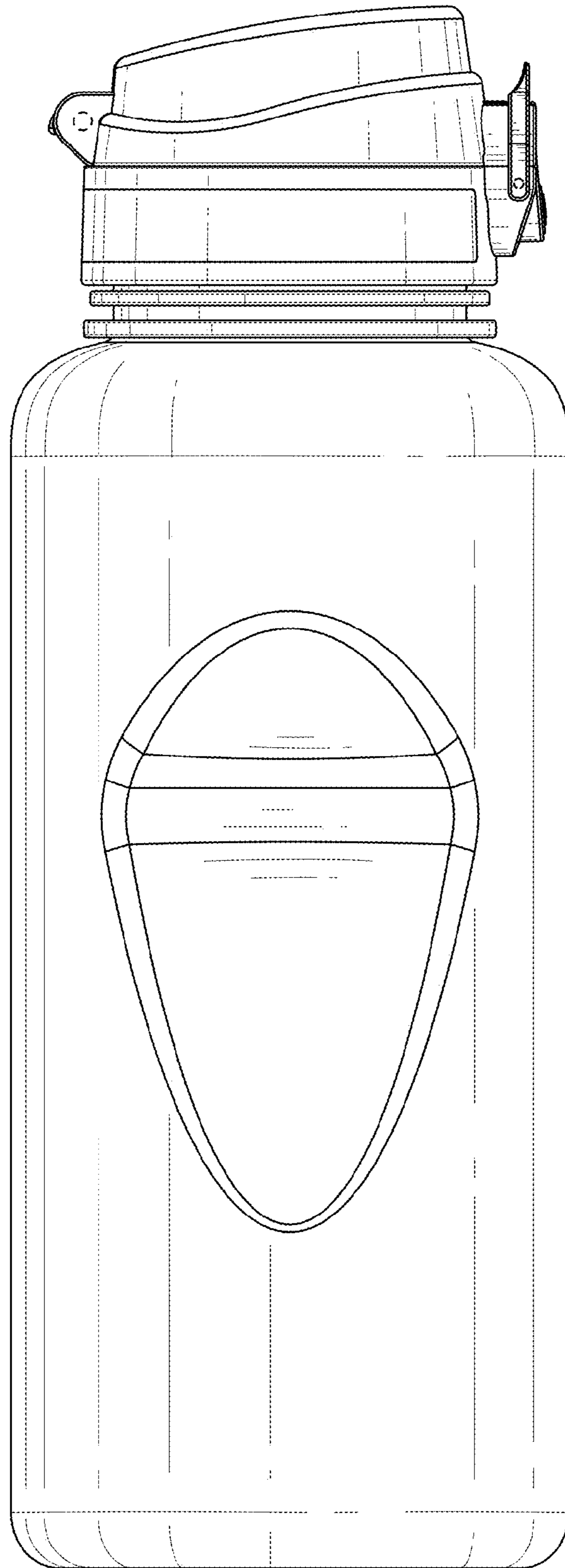


FIG. 5

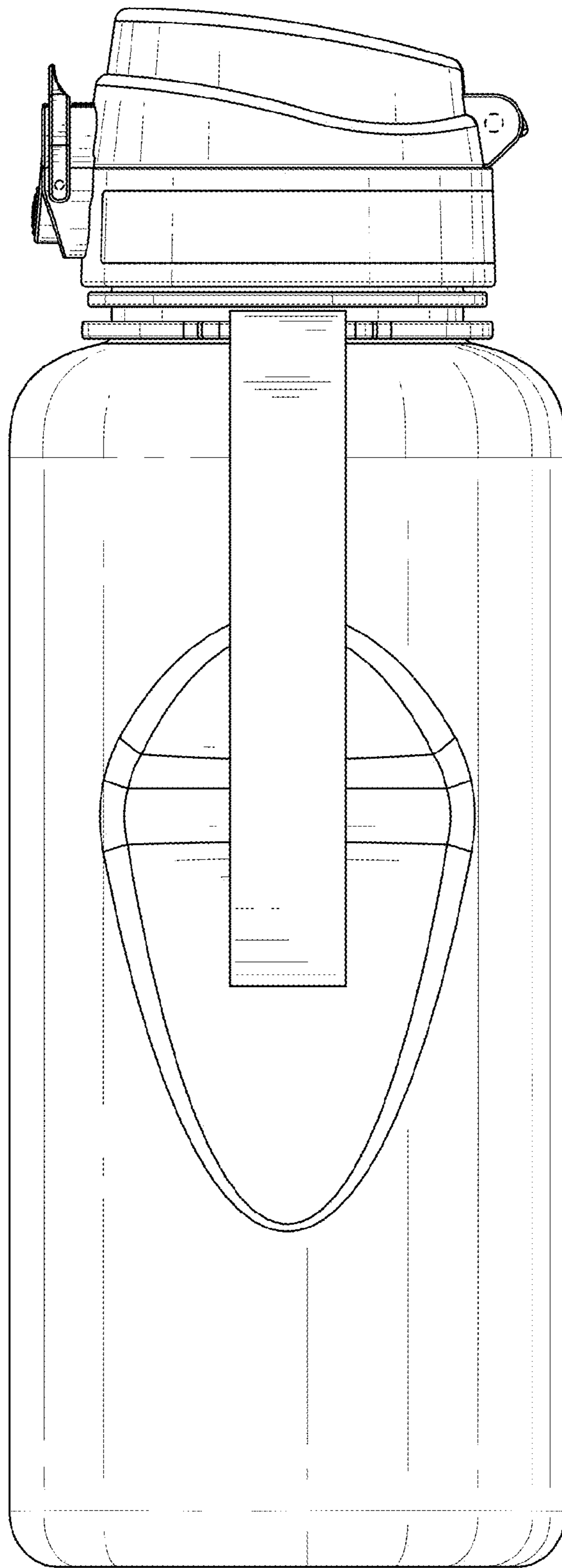


FIG. 6

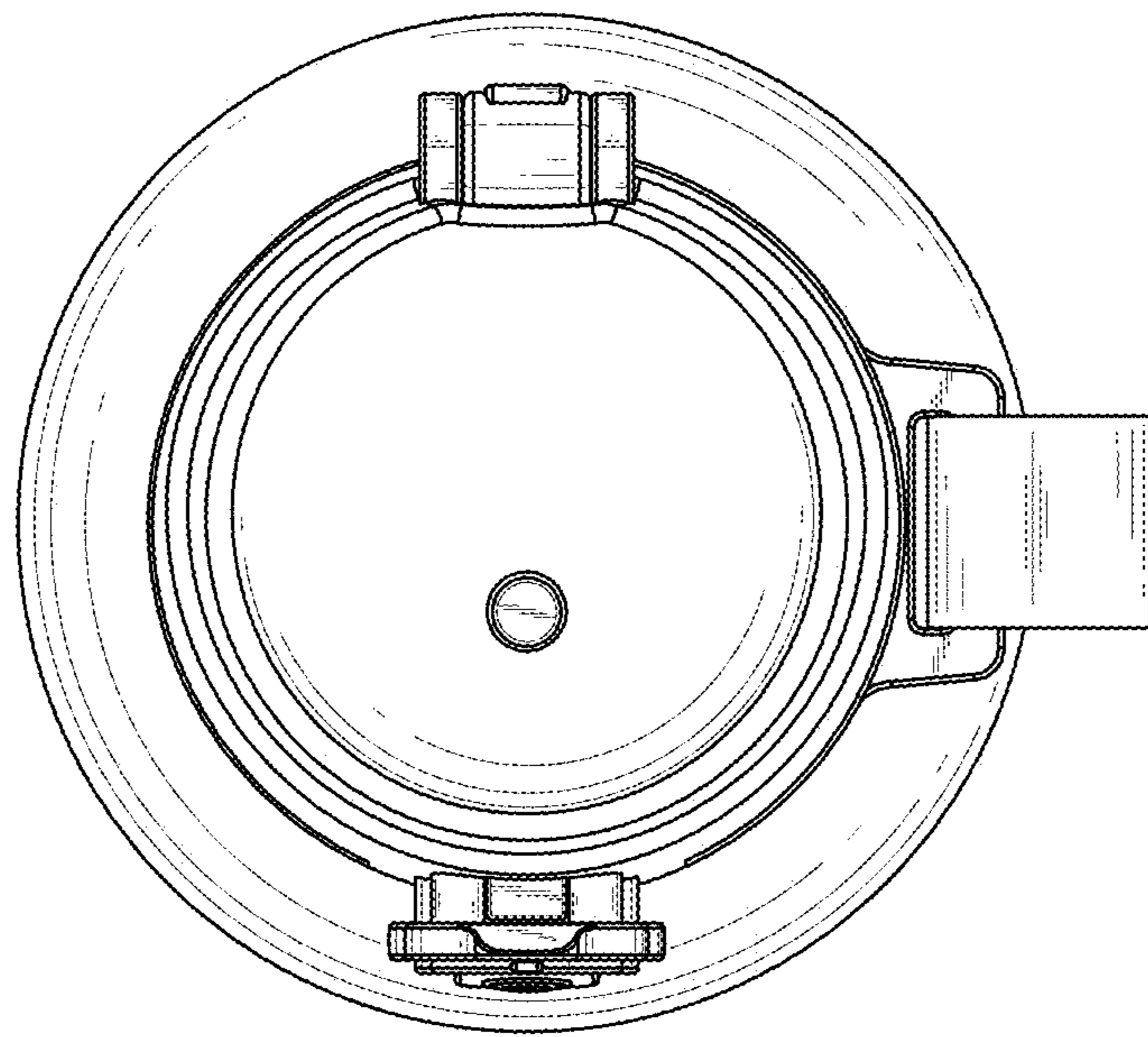


FIG. 7

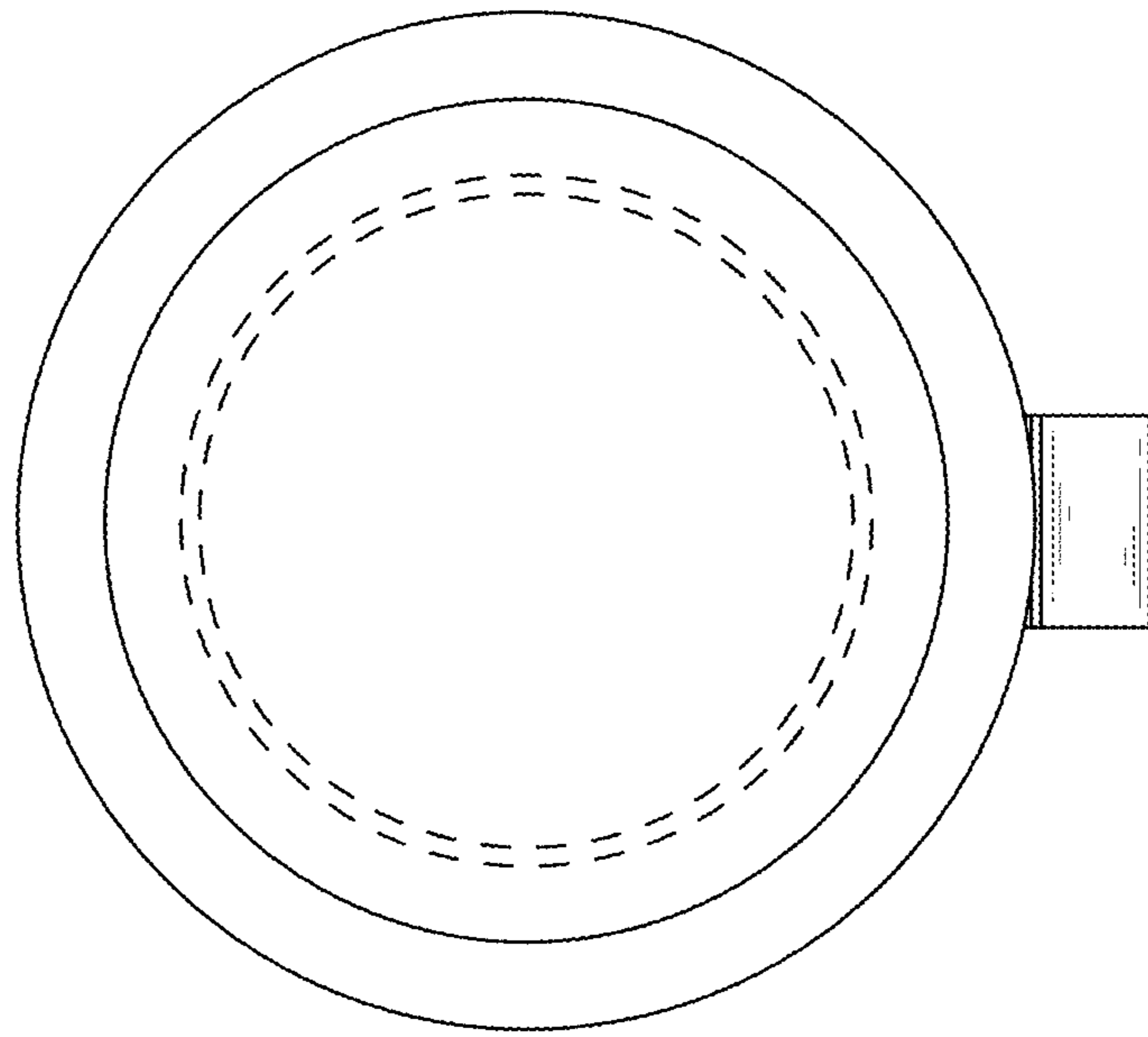


FIG. 8