



US00D892556S

(12) **United States Design Patent**
Wang et al.

(10) **Patent No.:** **US D892,556 S**
(45) **Date of Patent:** **** Aug. 11, 2020**

(54) **CYLINDRICAL WATER BOTTLE WITH STRAW**

(71) Applicant: **SHEN ZHEN QUICK FIT PLASTIC CO., LTD.**, Shenzhen (CN)

(72) Inventors: **Qi Wang**, Shenzhen (CN); **Hui Kang**, Shenzhen (CN)

(**) Term: **15 Years**

(21) Appl. No.: **29/692,970**

(22) Filed: **May 30, 2019**

(30) **Foreign Application Priority Data**

Apr. 18, 2019 (CN) 2019 3 0179986

(51) **LOC (12) Cl.** **07-01**

(52) **U.S. Cl.**
USPC **D7/510; D7/511**

(58) **Field of Classification Search**
USPC D7/507, 509, 510, 511, 529, 531, 532, D7/523, 533, 534, 535, 536, 392.1, 296.1, D7/396.2; D9/531, 503, 516, 517, 435; D3/202

CPC A47G 19/22; A47G 19/2288; A47G 19/2205; A47G 19/2266; A45F 3/16
See application file for complete search history.

(56) **References Cited**

U.S. PATENT DOCUMENTS

D596,460 S * 7/2009 Nezu D7/510
D786,018 S * 5/2017 Willows D7/509

D807,110 S 1/2018 Lown
D817,713 S * 5/2018 Lin D7/510
D848,787 S * 5/2019 Tatsukawa D7/392.1
D865,457 S * 11/2019 Kotani D7/608
D875,479 S 2/2020 Seiders et al.
2019/0021529 A1* 1/2019 Schucker A47G 19/2272

OTHER PUBLICATIONS

https://www.amazon.com/QuiFit-Motivational-Gallon-Botella-marcador/dp/B07WN65C4S?ref_ast_sto_dp&th=1 (Year: 2019).*

* cited by examiner

Primary Examiner — Jae Liang

(74) *Attorney, Agent, or Firm* — Erson IP (Nelson IP)

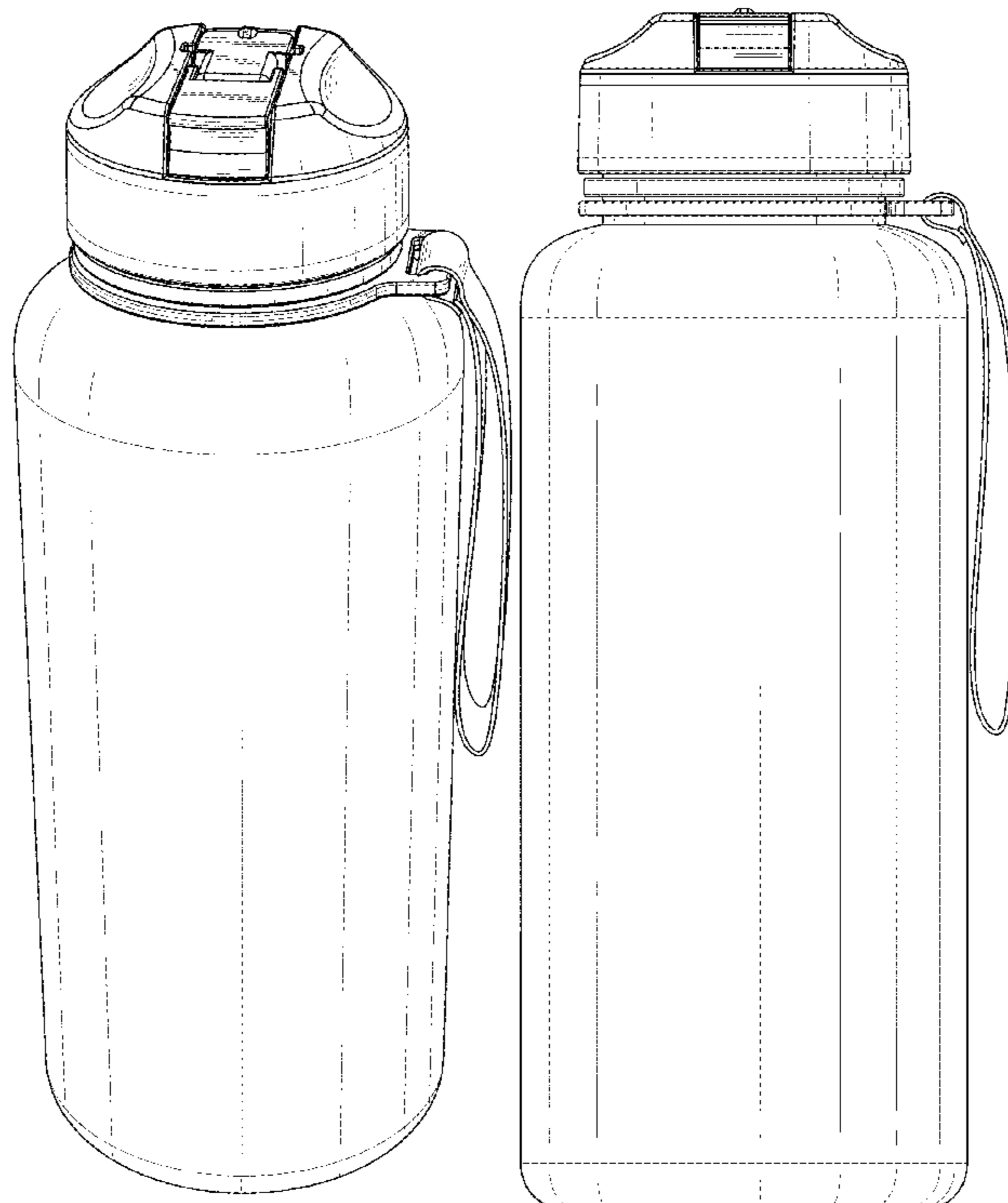
(57) **CLAIM**

The ornamental design for a cylindrical water bottle with straw, as shown and described.

DESCRIPTION

FIG. 1 is a perspective view of a cylindrical water bottle with straw showing my new design;
FIG. 2 is another perspective view thereof;
FIG. 3 is a perspective thereof with the lid shown separately to show aspects of the design that may not be apparent in the other views;
FIG. 4 is a front view thereof;
FIG. 5 is a rear view thereof;
FIG. 6 is a left side view thereof;
FIG. 7 is a right side view thereof;
FIG. 8 is a top plan view thereof; and,
FIG. 9 is a bottom plan view thereof.
The broken lines are for the purposes of illustrating portions of the cylindrical water bottle with straw and form no part of the claimed design.

1 Claim, 9 Drawing Sheets



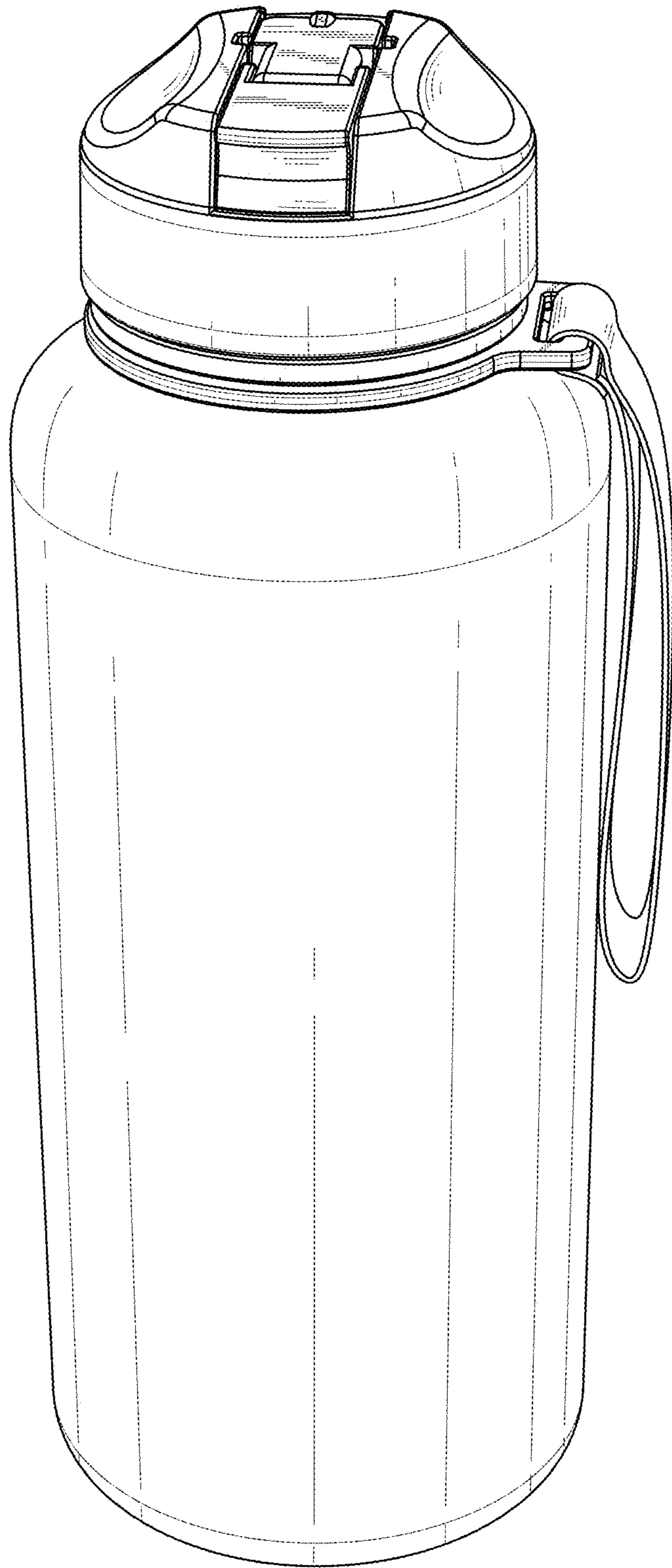


FIG. 1

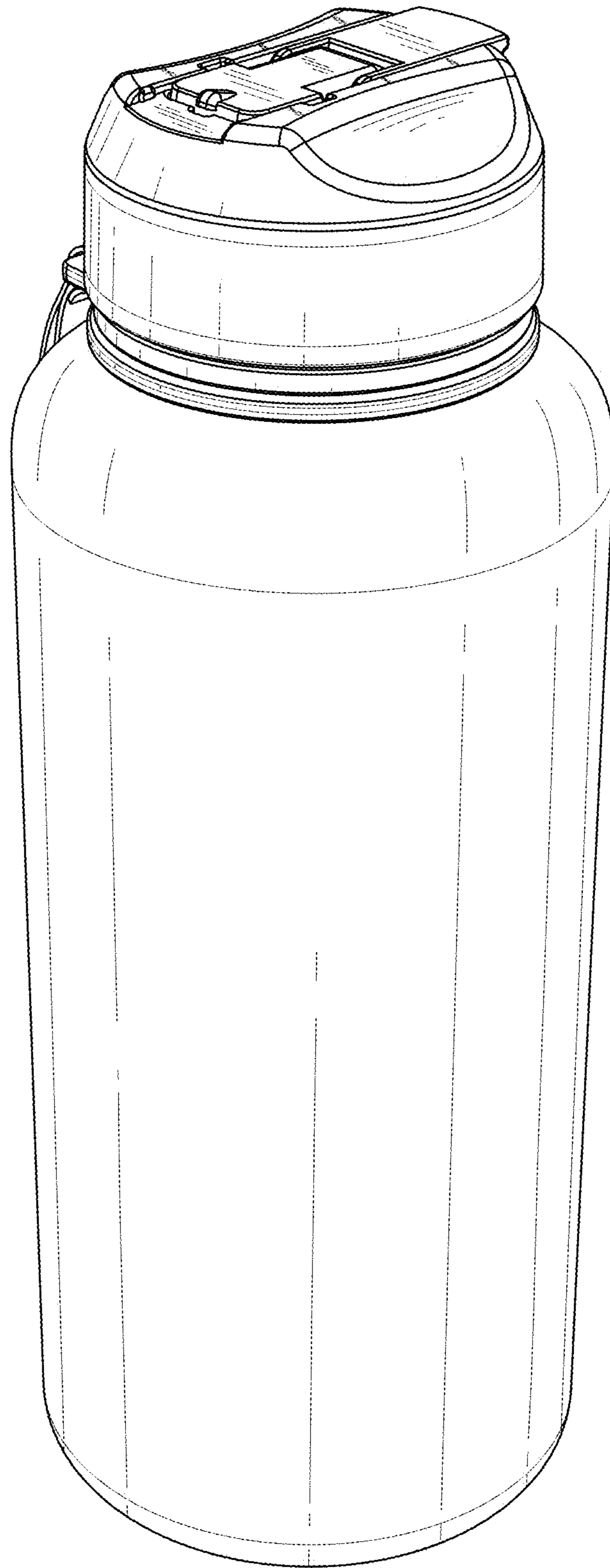


FIG. 2

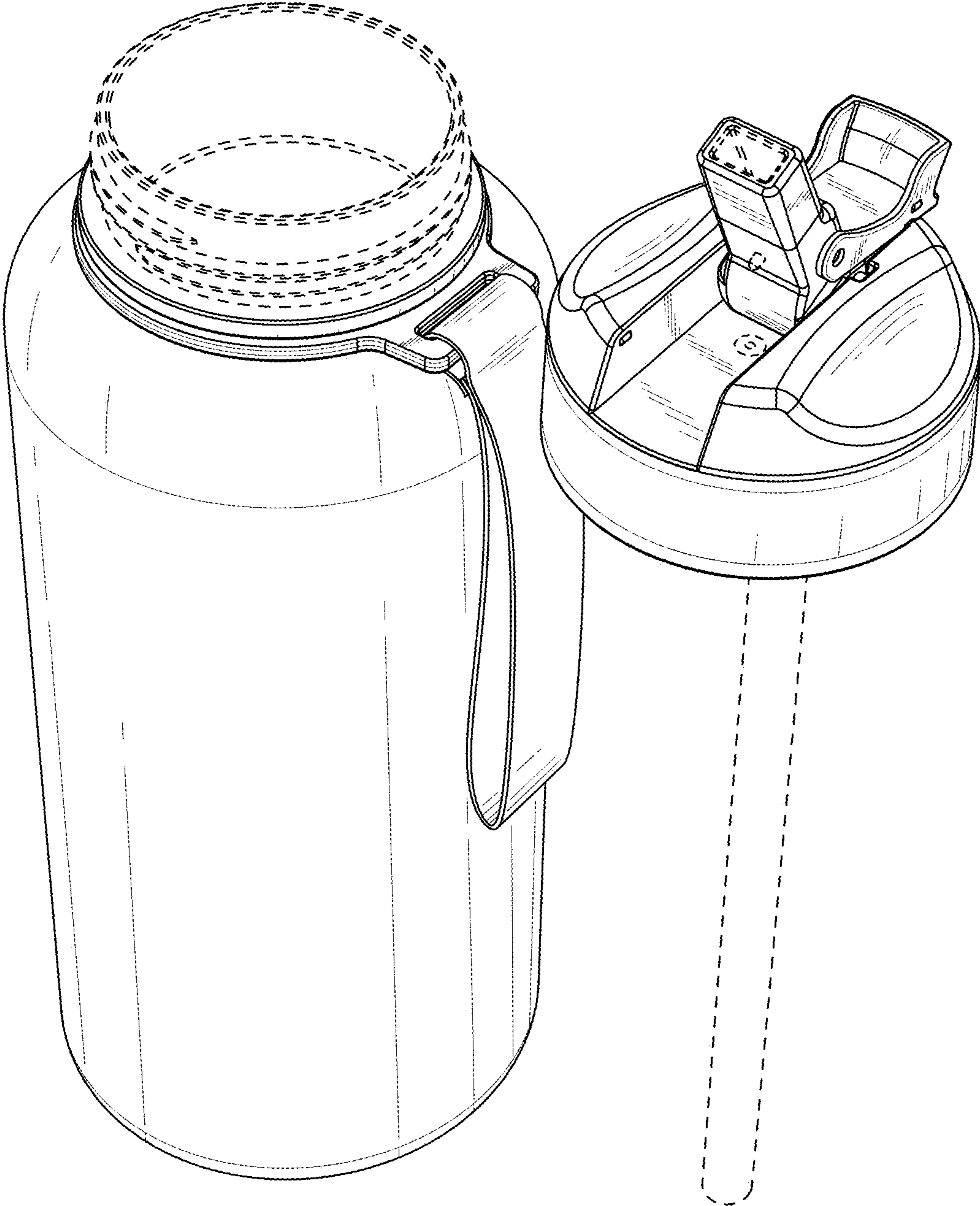


FIG. 3

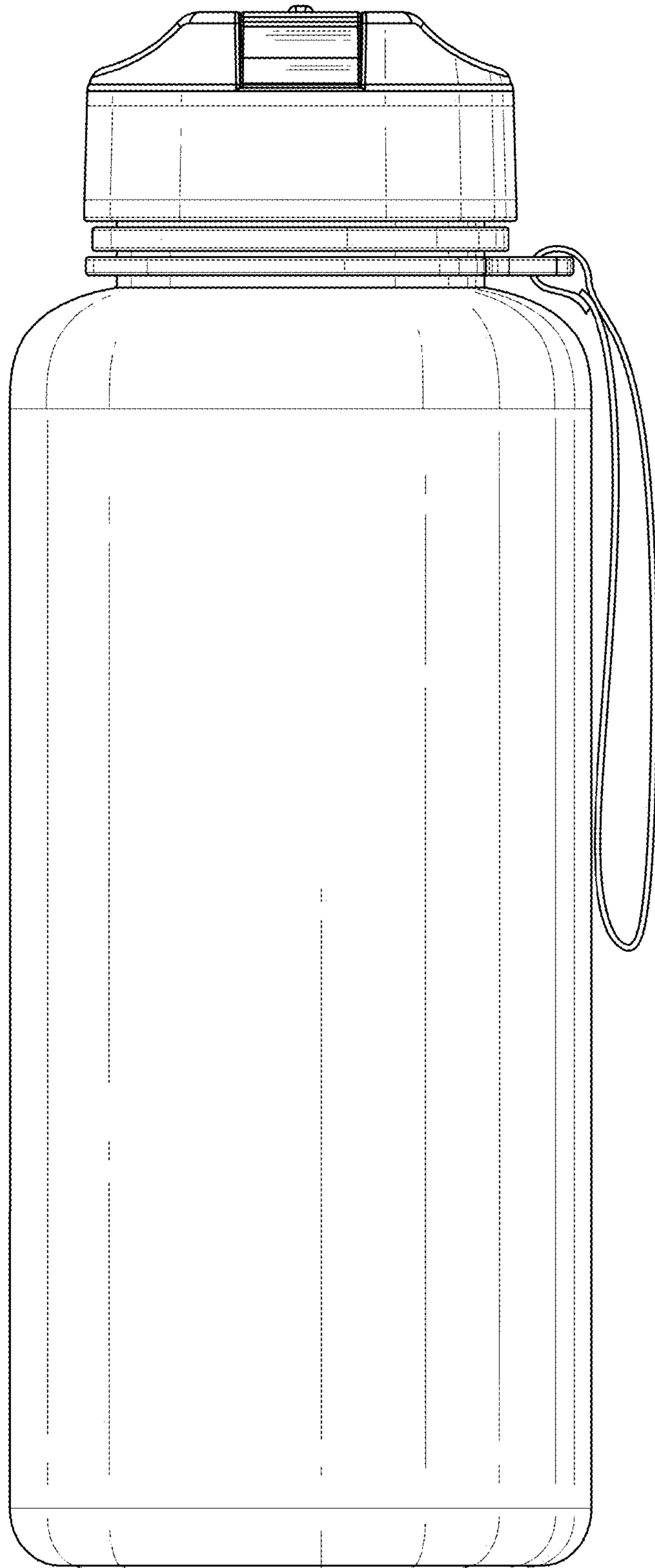


FIG. 4

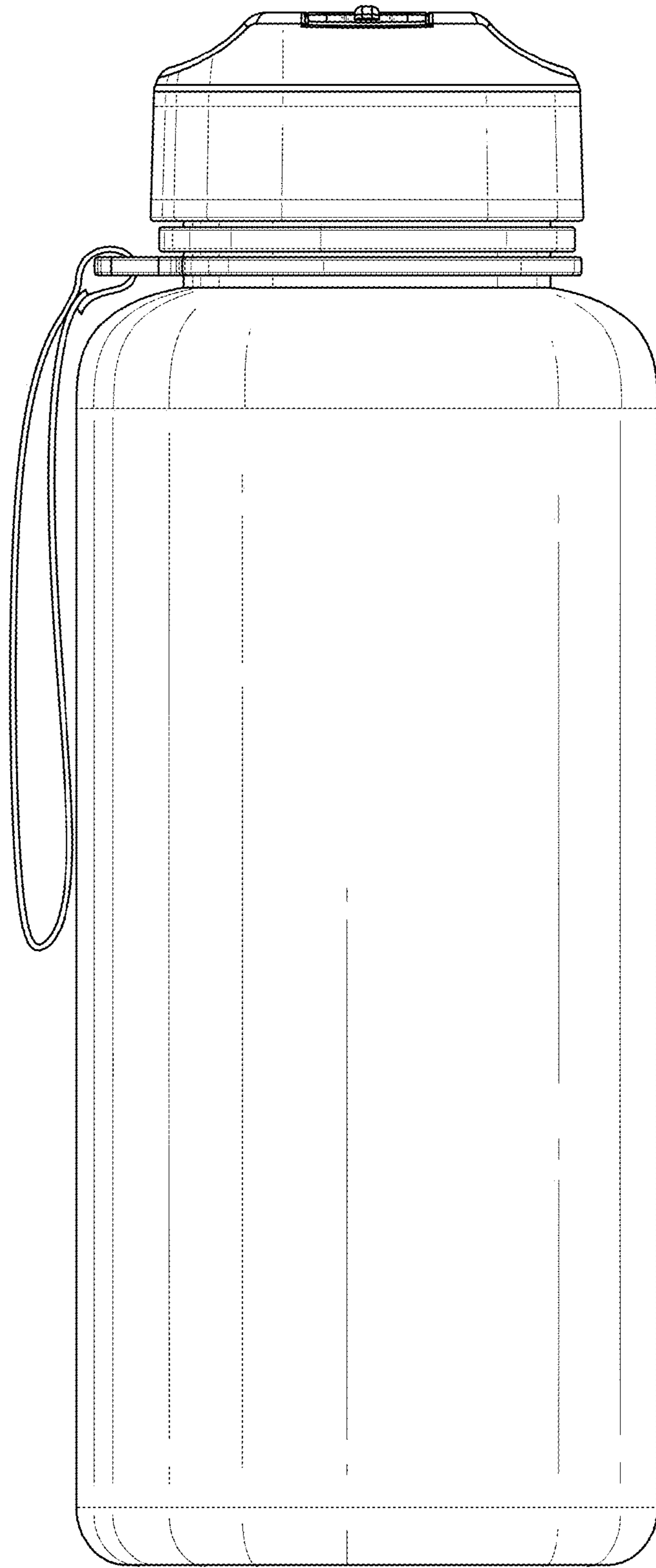


FIG. 5

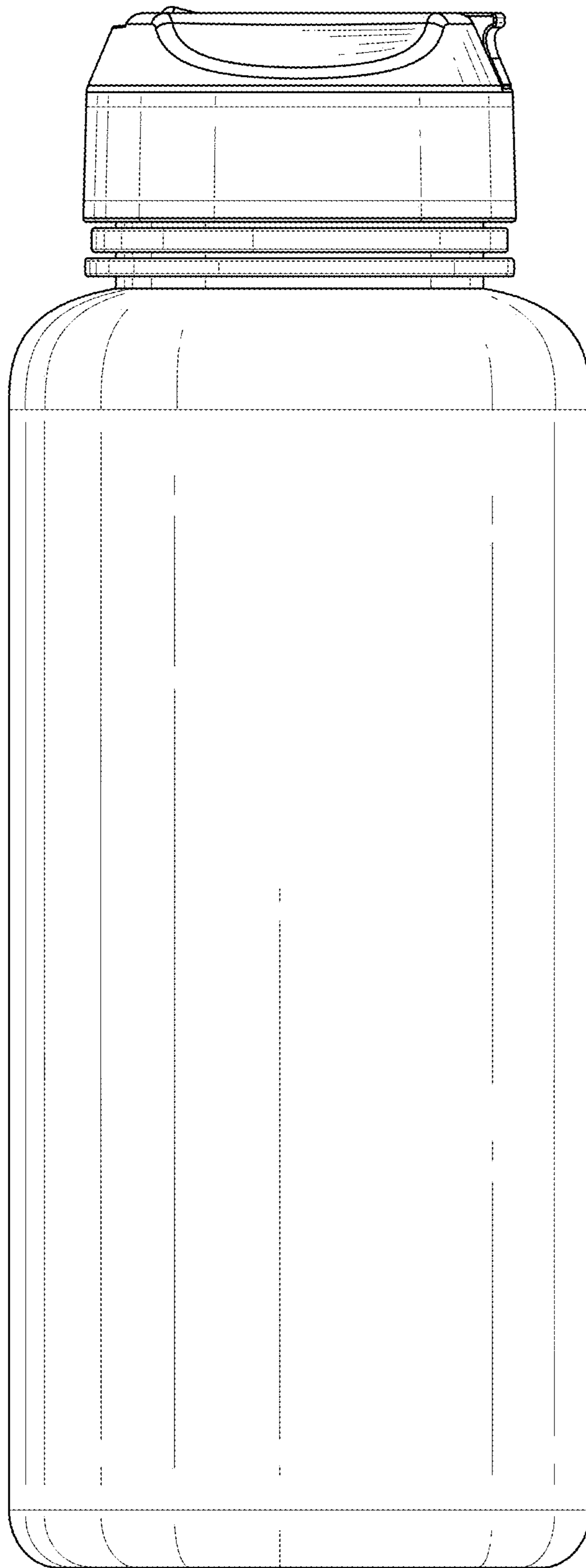


FIG. 6

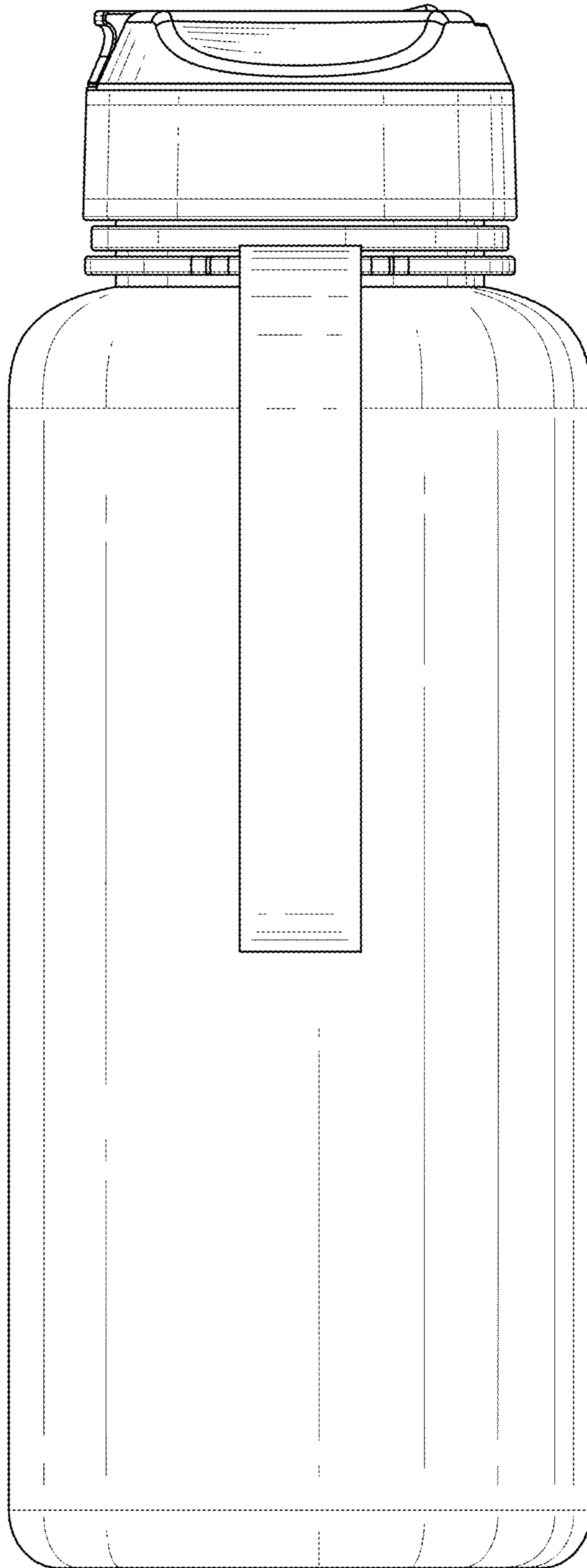


FIG. 7

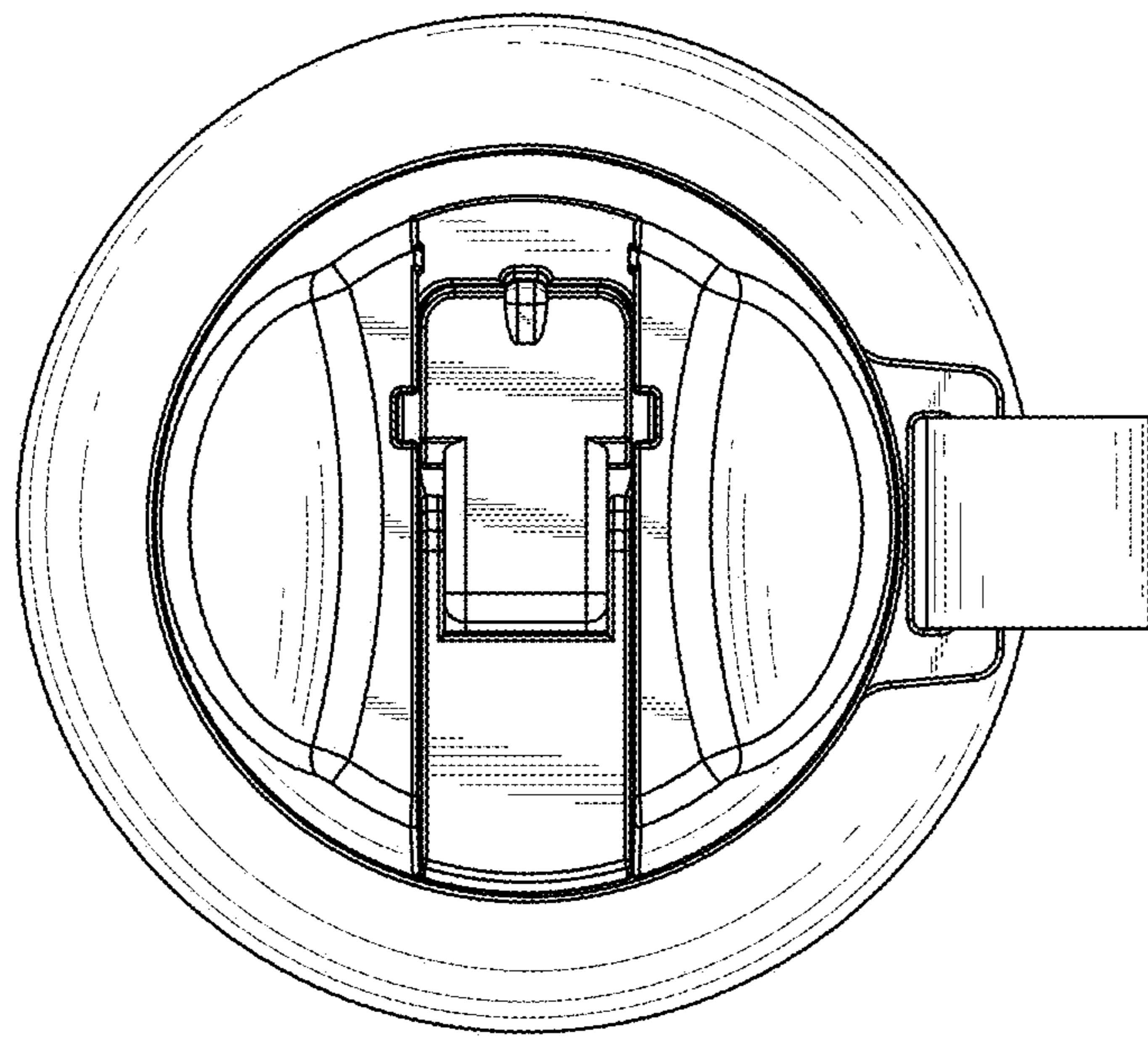


FIG. 8

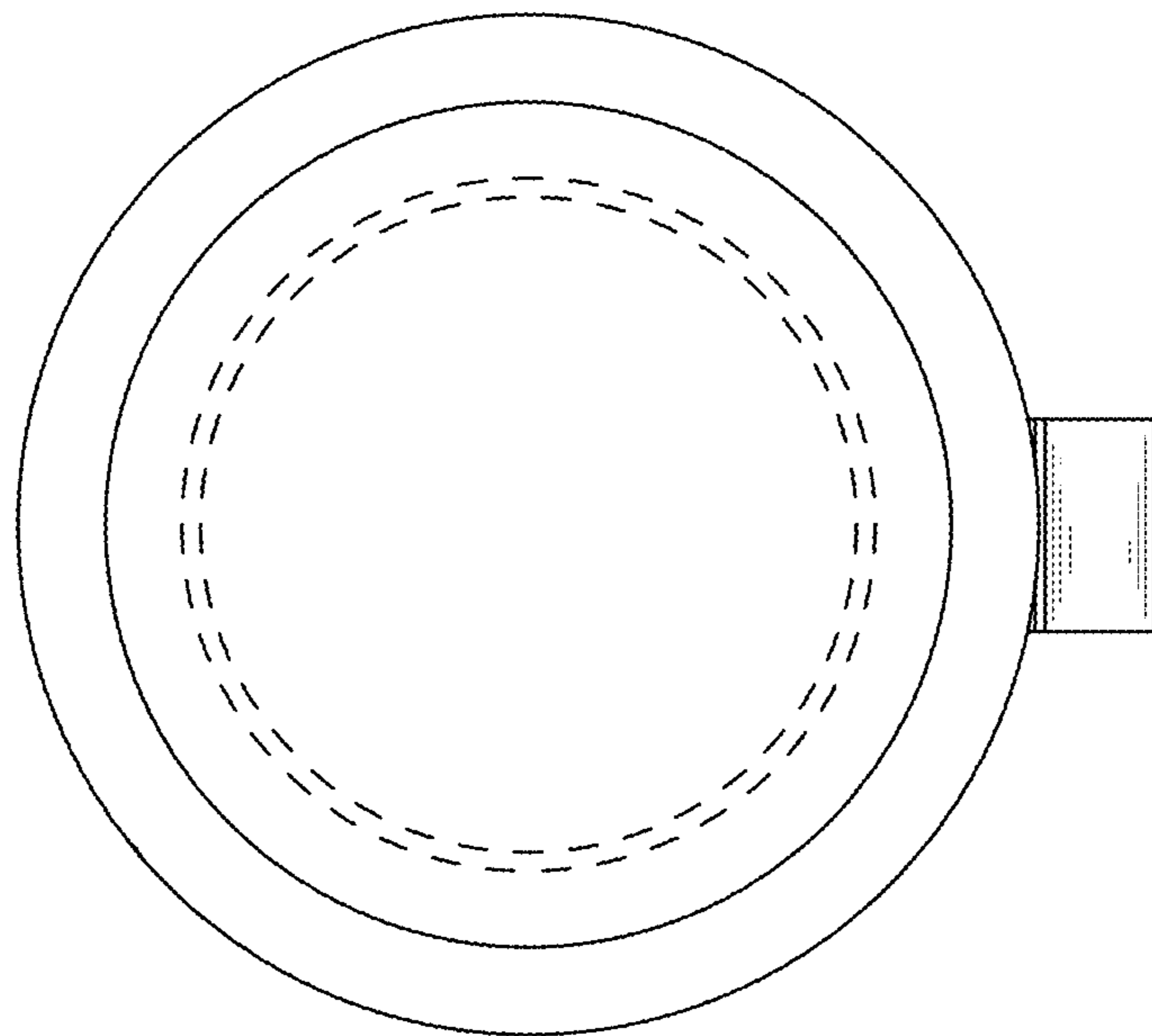


FIG. 9