

US00D892555S

(12) **United States Design Patent** (10) **Patent No.:** **US D892,555 S**  
**Beardsell** (45) **Date of Patent:** **\*\* Aug. 11, 2020**

(54) **TUMBLER BOTTLE**  
(71) Applicant: **Richard Beardsell**, Manchester (GB)  
(72) Inventor: **Richard Beardsell**, Manchester (GB)  
(\*\*) Term: **15 Years**  
(21) Appl. No.: **29/648,479**  
(22) Filed: **Jul. 9, 2018**  
(51) **LOC (12) Cl.** ..... **07-01**  
(52) **U.S. Cl.**  
USPC ..... **D7/510; D7/511; D7/531**  
(58) **Field of Classification Search**  
USPC ..... D7/507, 413, 509, 510, 511, 523, 529,  
D7/530, 532, 531, 536, 300.1, 591, 584,  
D7/586, 387, 361, 619.1, 602; D10/46.2;  
D9/425, 905, 503, 504, 738, 547;  
220/592.2  
CPC ..... A47G 19/22; A47G 19/2288; A47G  
19/2211; A47G 19/2222; A47G 19/2227;  
A47G 19/2205; A47G 19/2266; A47G  
19/12; A47J 41/02; A47J 43/27; A47J  
41/0077; A47J 41/0088; A47J 41/028;  
B65D 47/066; B65D 81/3869  
See application file for complete search history.

(56) **References Cited**  
U.S. PATENT DOCUMENTS  
1,744,328 A 1/1930 Morley  
1,765,129 A 6/1930 Cooke  
2,013,615 A 9/1935 Fontan  
D102,943 S 1/1937 Dulany  
2,072,433 A 3/1937 Solomon  
D105,169 S 6/1937 Fuerst  
D186,424 S 10/1959 Oberlin  
3,476,277 A 11/1969 Rownd  
4,427,123 A 1/1984 Komeda et al.  
D361,922 S 9/1995 Van Dyk  
D421,547 S \* 3/2000 Demers ..... D7/510  
6,119,889 A 9/2000 Fujii et al.

D459,637 S 7/2002 Tardif et al.  
D489,627 S 5/2004 Klitsner et al.  
D499,342 S 12/2004 Klitsner et al.  
6,913,165 B2 7/2005 Linz et al.  
D599,169 S \* 9/2009 Stalions ..... D7/510  
D604,984 S 12/2009 Kalamaras  
D614,447 S 4/2010 Richau et al.  
D641,631 S 7/2011 Kawahara et al.  
D647,497 S 10/2011 Chu  
D661,192 S \* 6/2012 Hwang ..... D9/504  
D696,551 S \* 12/2013 Meyers ..... D7/392.1  
D711,990 S 8/2014 Roberts et al.  
D724,894 S 3/2015 Brosius

(Continued)

**FOREIGN PATENT DOCUMENTS**

CN 202516019 U 11/2012  
JP H01268520 A 10/1989

*Primary Examiner* — Jae Liang  
(74) *Attorney, Agent, or Firm* — Laubscher & Laubscher,  
P.C.

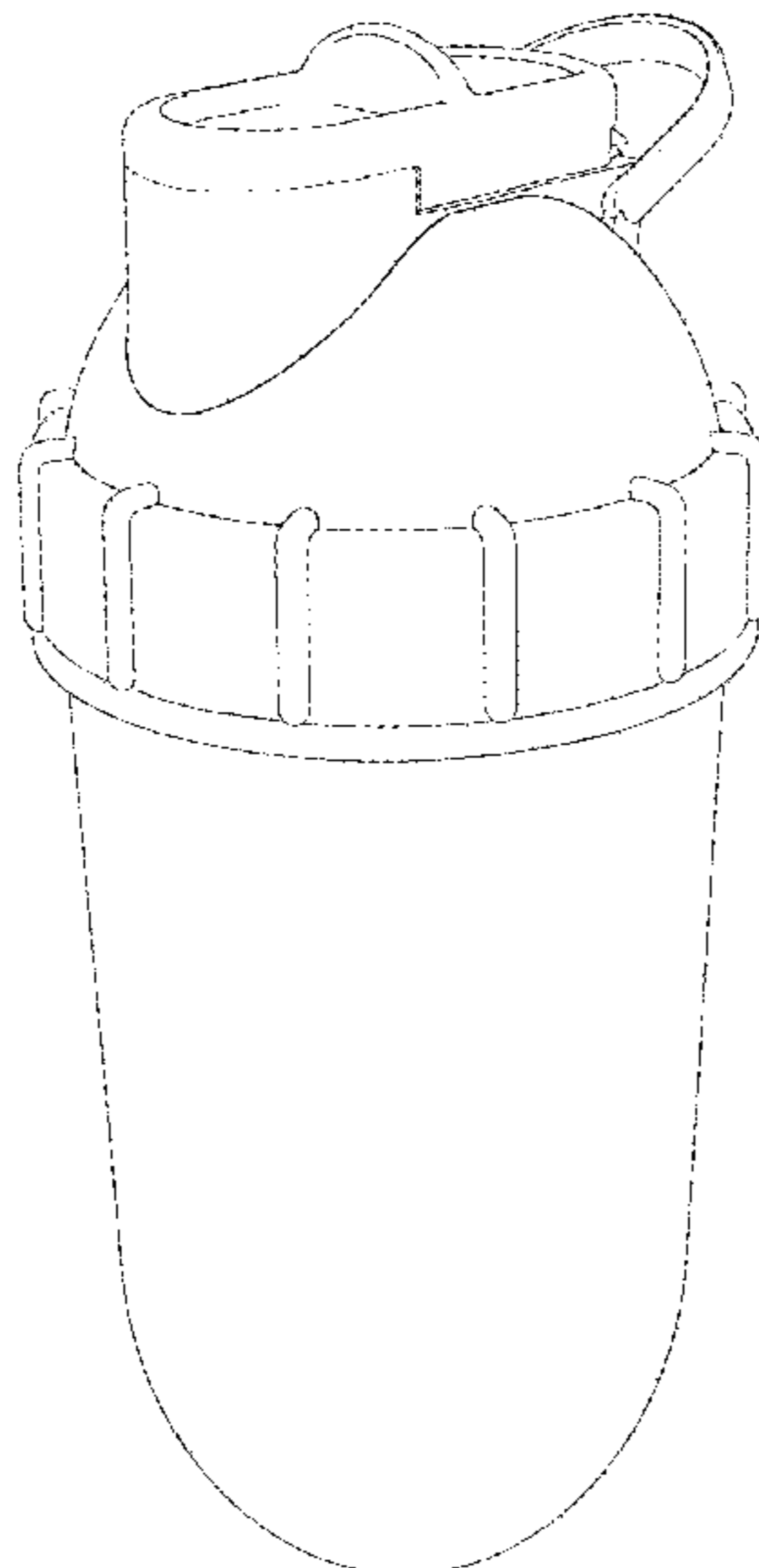
(57) **CLAIM**

The ornamental design for a tumbler bottle, as shown and described.

**DESCRIPTION**

FIG. 1 is a right side view of a tumbler bottle showing my new design.  
FIG. 2 is a front view thereof;  
FIG. 3 is a left side view thereof;  
FIG. 4 is a rear view thereof;  
FIG. 5 is a top view thereof;  
FIG. 6 is a perspective view thereof;  
FIG. 7 is a perspective exploded view thereof; and,  
FIG. 8 is a cross-sectional view taken along line 8-8 of FIG. 4.  
The broken lines in the drawings depict portions of the tumbler bottle that form no part of the claimed design.

**1 Claim, 8 Drawing Sheets**



(56)

**References Cited**

U.S. PATENT DOCUMENTS

D747,148	S	1/2016	Beardsell	
D747,624	S *	1/2016	Walker .....	D7/392.1
D748,433	S	2/2016	Kushner	
D751,344	S *	3/2016	Charlton .....	D7/300.1
D752,390	S	3/2016	Ksiazek et al.	
9,427,112	B2	8/2016	Aliberti et al.	
D780,516	S *	3/2017	Cornelius .....	D7/510
D805,827	S	12/2017	Toth	
D820,038	S *	6/2018	Sorensen .....	D7/392.1
D820,044	S *	6/2018	Jenkins .....	D7/510
D833,224	S *	11/2018	Wahlkvist .....	D7/510
D836,394	S *	12/2018	Blofeld .....	D7/413
D836,985	S *	1/2019	Otto .....	D7/510
D841,381	S	2/2019	Karsten	
D842,111	S *	3/2019	Delia .....	D9/504
10,301,054	B2	5/2019	Pell et al.	
10,390,659	B2	8/2019	Tolman et al.	
2011/0108506	A1	5/2011	Lindhorst-Ko	
2013/0233898	A1 *	9/2013	Resnikoff .....	B65D 47/06 222/568
2016/0280447	A1	9/2016	Beardsell	
2019/0047773	A1	2/2019	Bullock et al.	
2019/0084734	A1 *	3/2019	Ni .....	B65D 47/0895

\* cited by examiner

FIG. 1

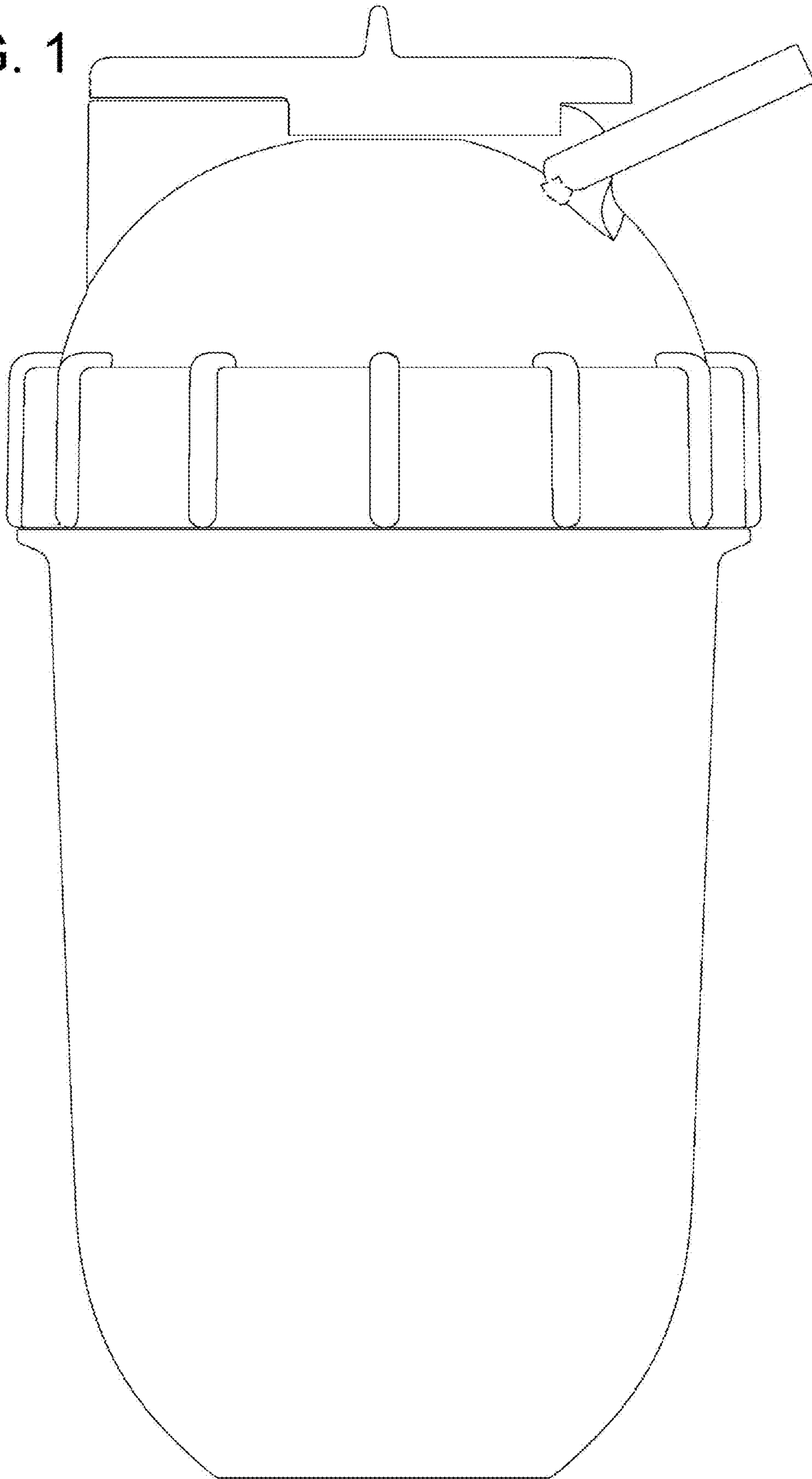


FIG. 2

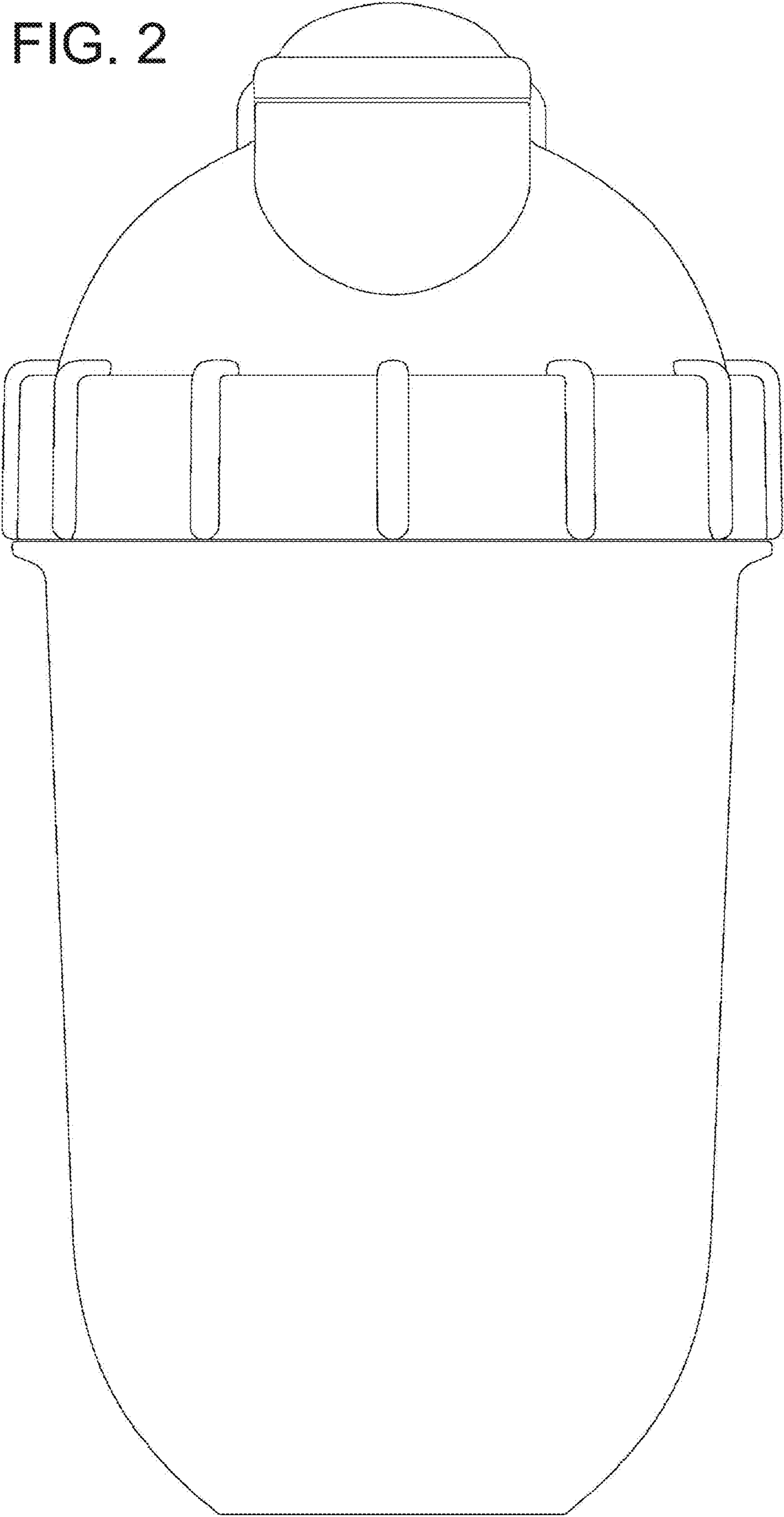


FIG. 3

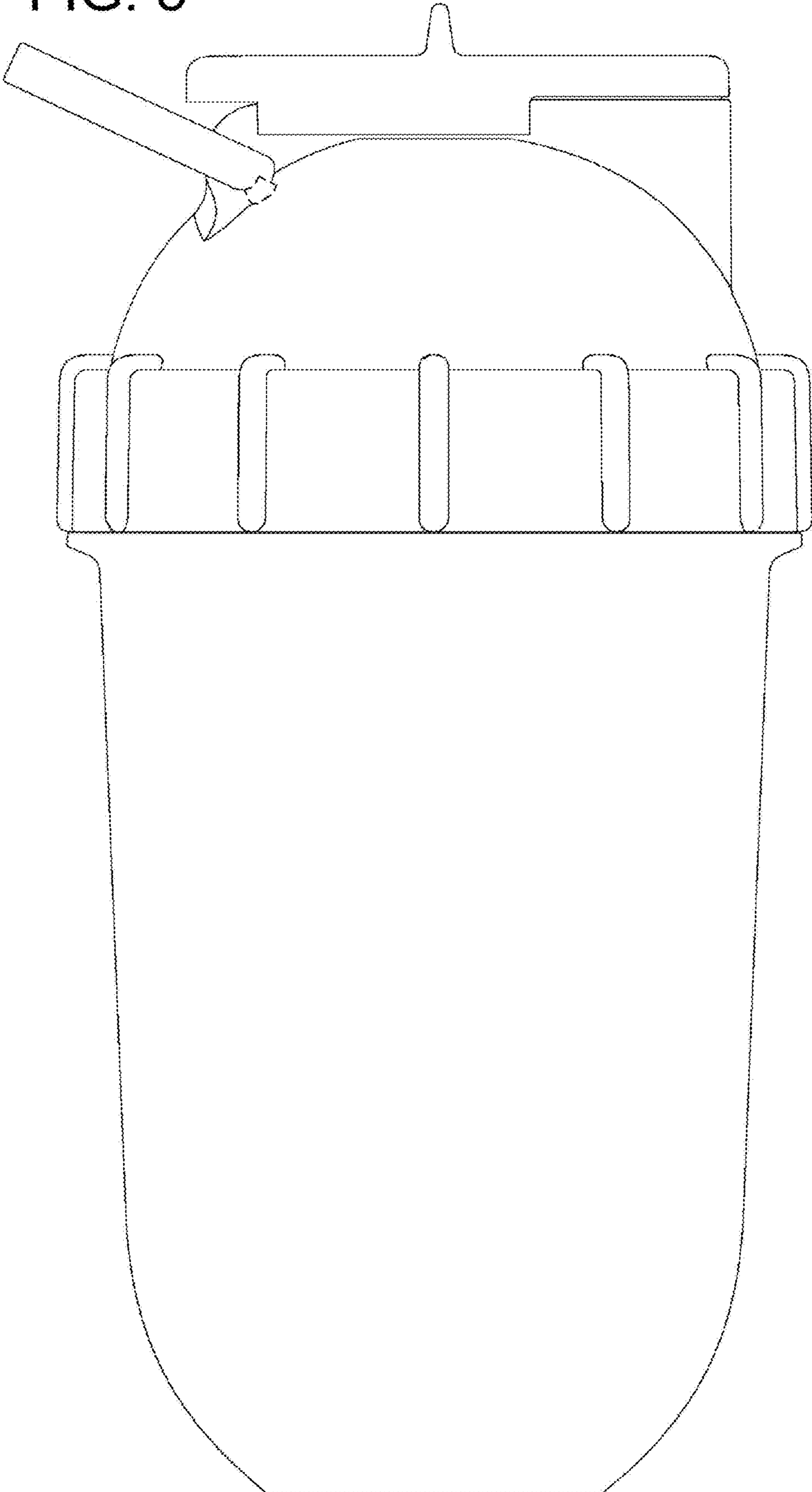


FIG 4

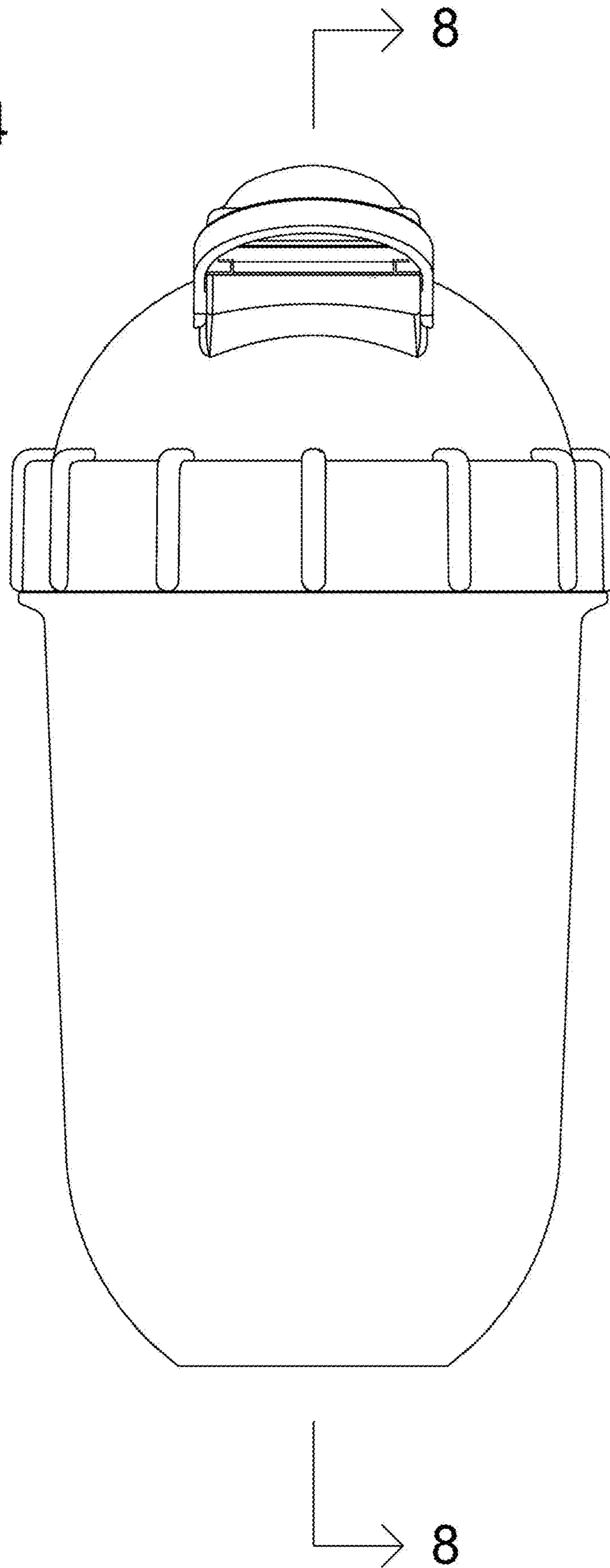


FIG. 5

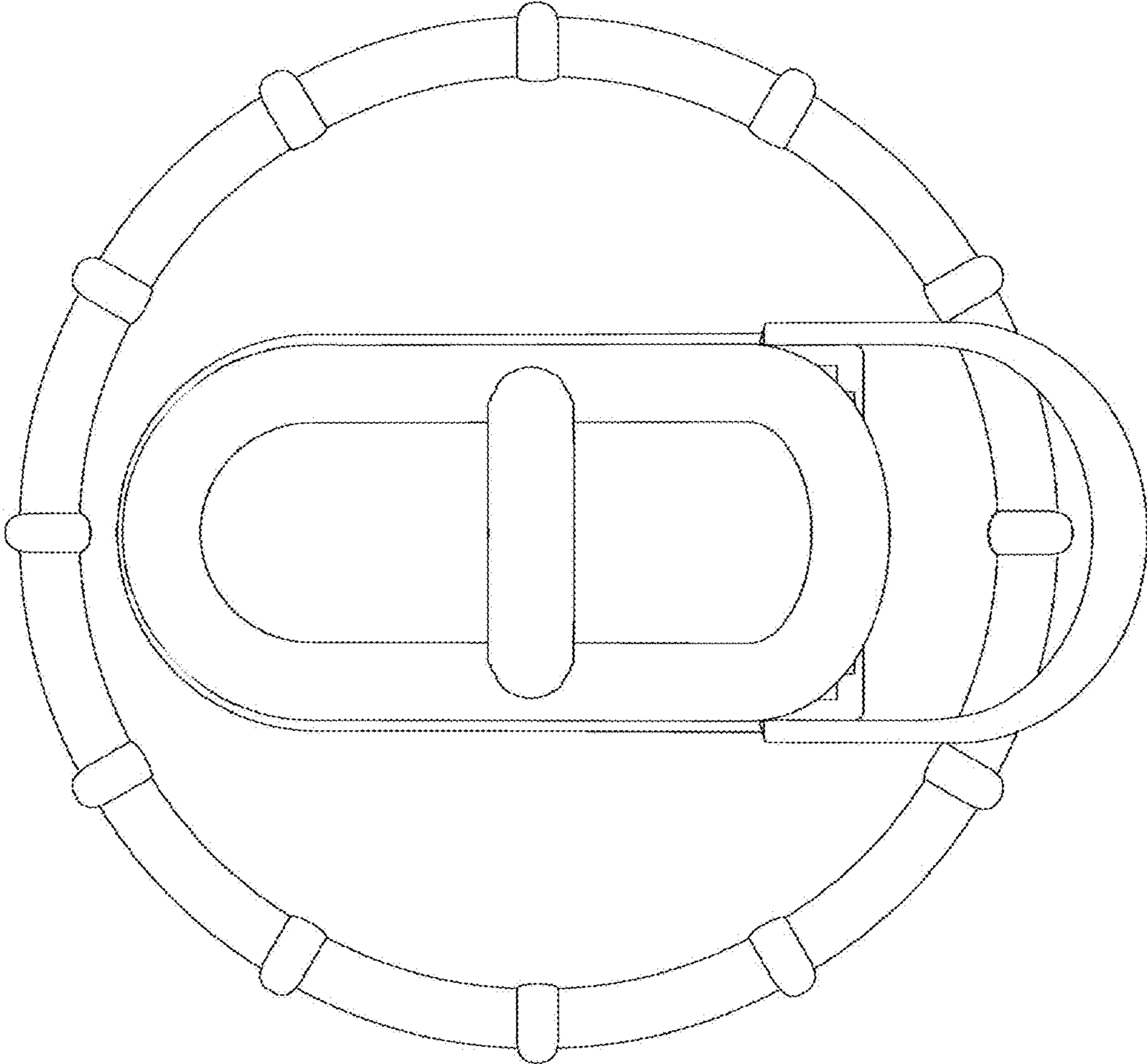


FIG. 6

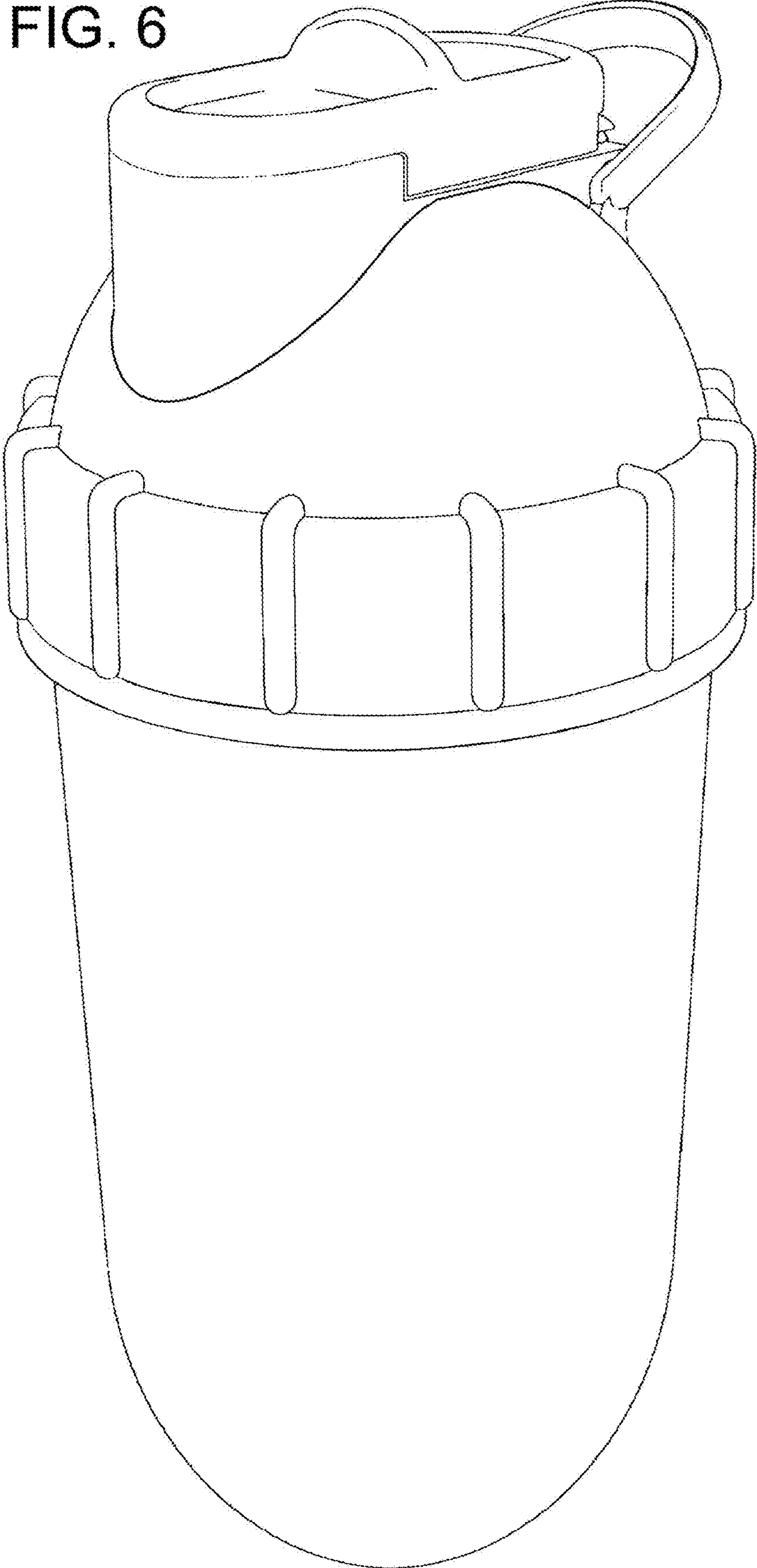




FIG 7

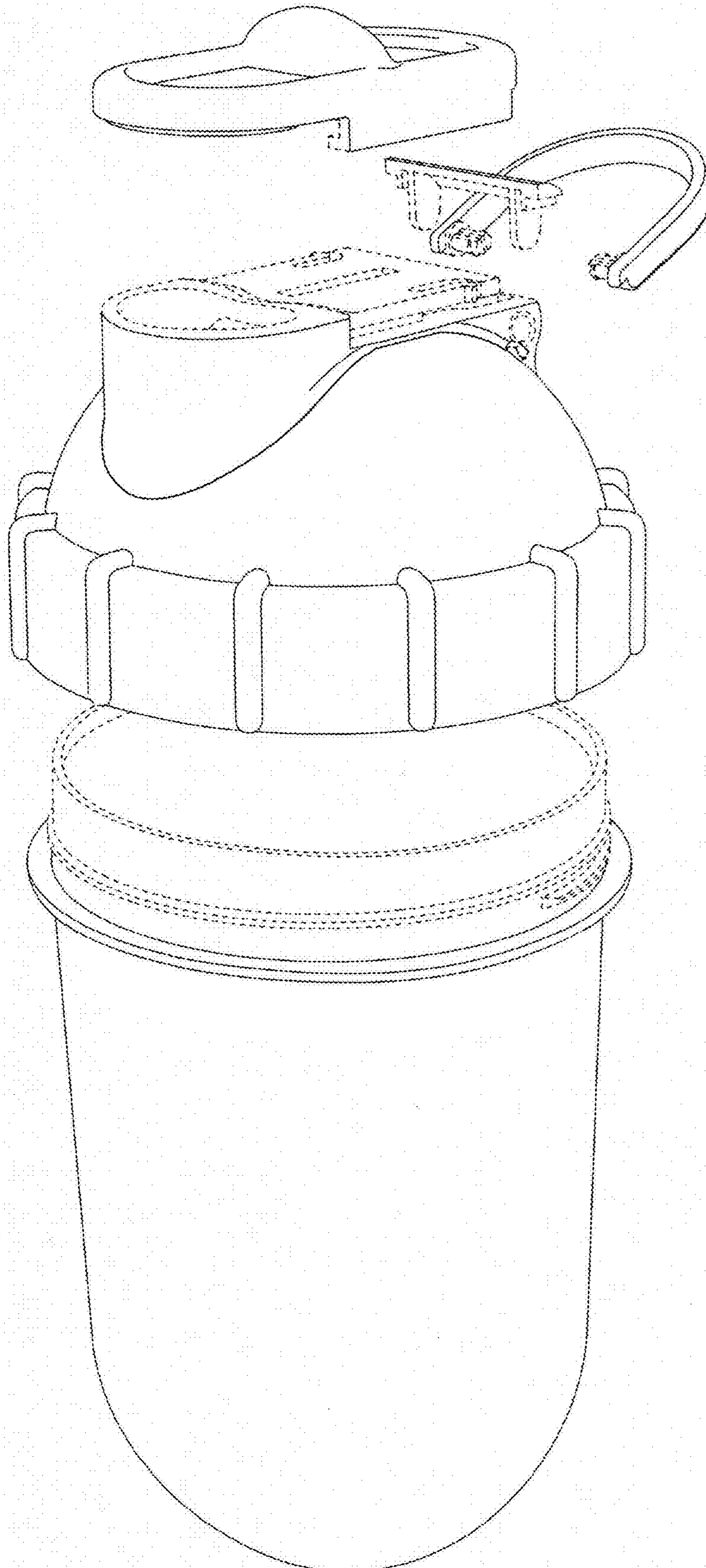


FIG 8

