



US00D892553S

(12) **United States Design Patent** (10) **Patent No.:** **US D892,553 S**
Summers et al. (45) **Date of Patent:** **** Aug. 11, 2020**

(54) **FOOD ITEM SUPPORT**
(71) Applicants: **Todd Summers**, Miamisburg, OH (US);
Paul D. Slagle, Springfield, OH (US)
(72) Inventors: **Todd Summers**, Miamisburg, OH (US);
Paul D. Slagle, Springfield, OH (US)
(**) Term: **15 Years**
(21) Appl. No.: **29/670,797**
(22) Filed: **Nov. 20, 2018**
(51) **LOC (12) Cl.** **07-01**
(52) **U.S. Cl.**
USPC **D7/504**; D9/433; D7/586
(58) **Field of Classification Search**
USPC D7/504, 500, 566, 570, 586, 587, 590,
D7/600.1-600.4, 601, 602, 403, 701,
D7/553.1, 553.2; D24/227; D6/682.2;
D9/433, 761, 762, 456, 432; 248/174;
D34/38, 39
CPC A47G 2019/306; A47G 19/30; A47G
21/001; A47G 23/06; A47G 1/141; A47J
37/01; A47F 5/112; A47F 7/0071
See application file for complete search history.

4,858,863 A * 8/1989 Lin A47G 21/103
248/174
D370,764 S * 6/1996 Johansson D34/38
5,971,168 A * 10/1999 Proulx A47G 19/30
211/73
D523,610 S * 6/2006 Kissell D34/38
D603,263 S * 11/2009 Chaimberg D9/456
D713,725 S * 9/2014 Cedeno D7/504
(Continued)

OTHER PUBLICATIONS

AURA eco-packaging, Disposable Taco Holder Stand, Feb. 25, 2017, Amazon, <https://www.amazon.com/COUNT-Disposable-Taco-Holder-Stand/dp/B071NJ1NLB> (Year: 2017).*

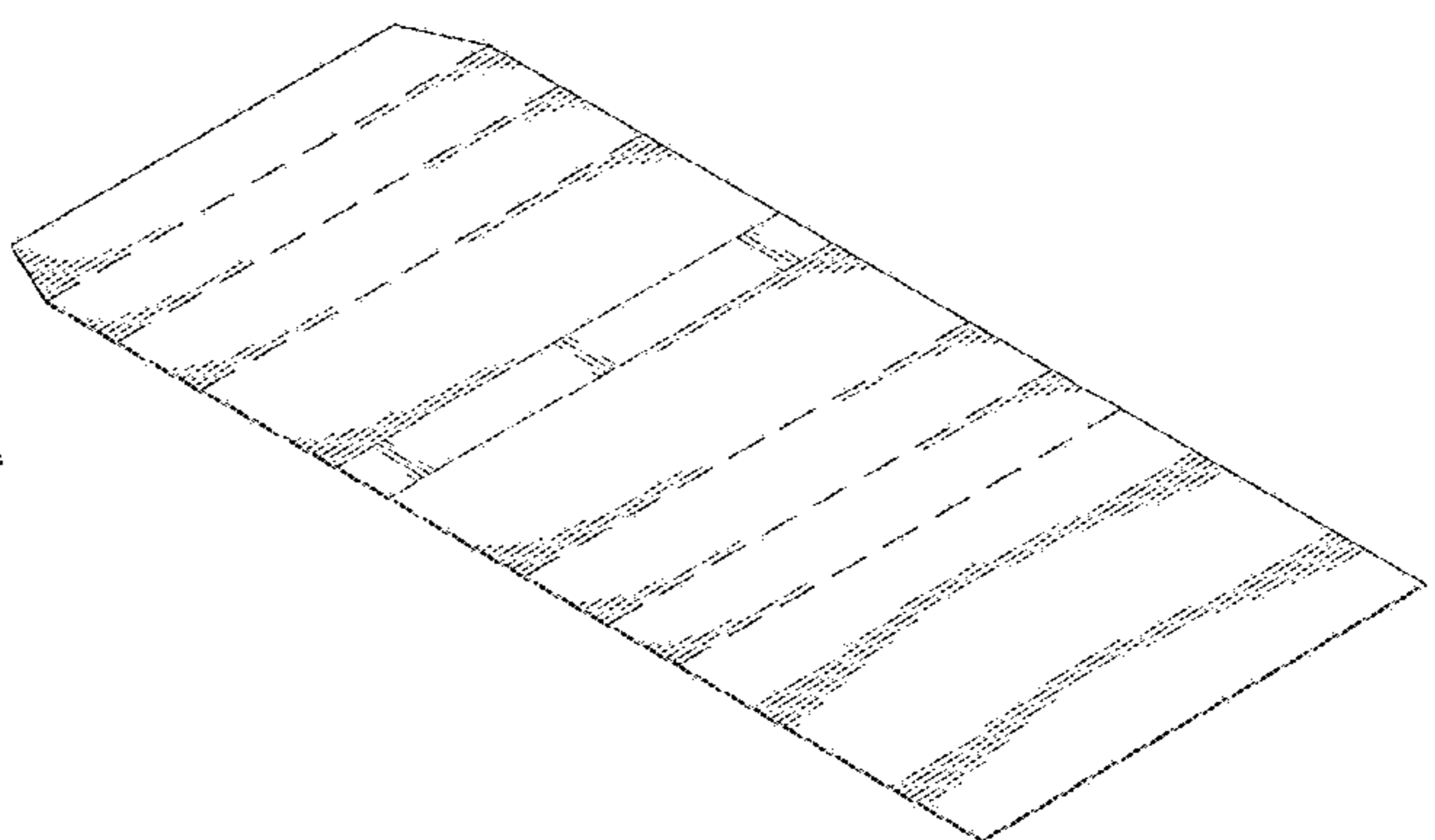
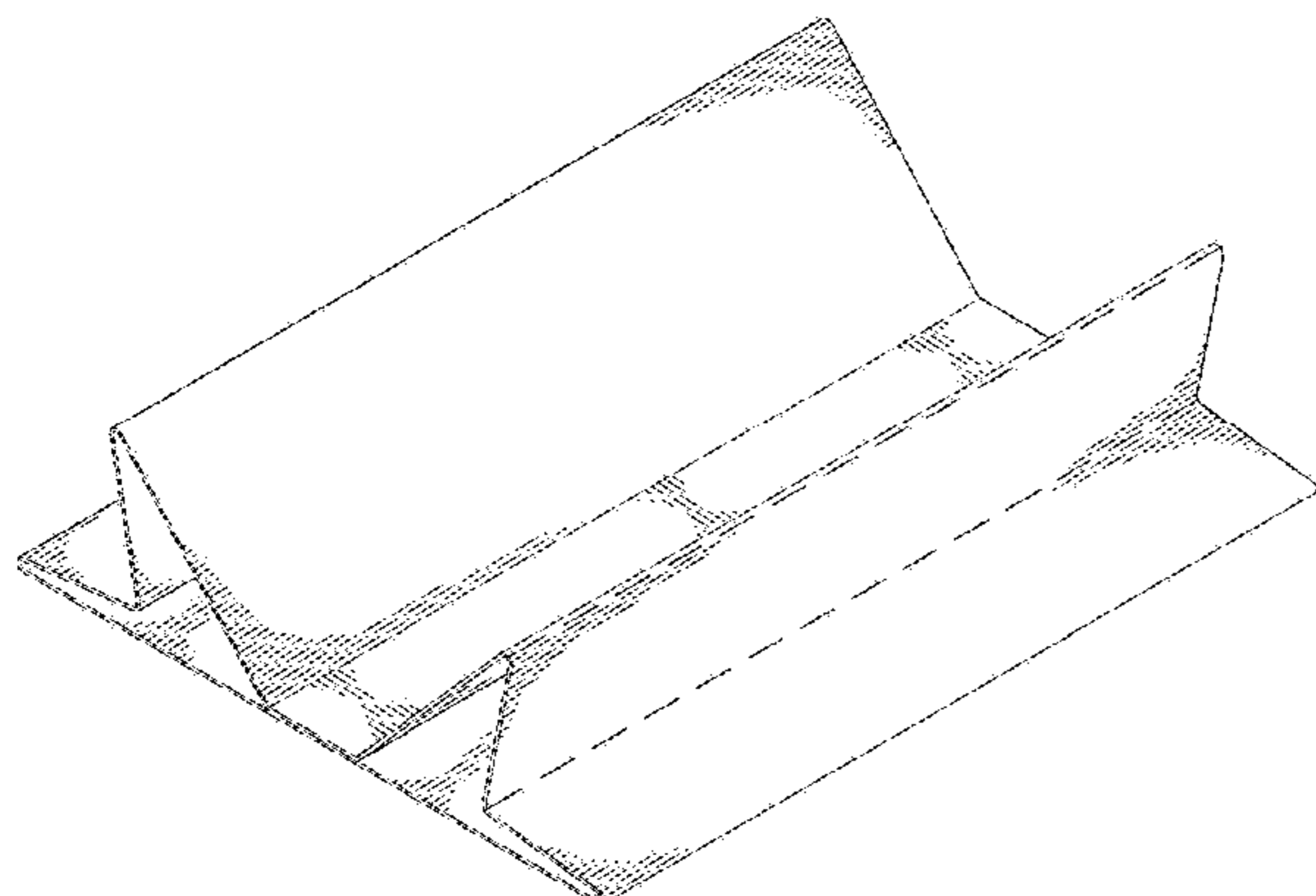
Primary Examiner — Brett Miller
(74) *Attorney, Agent, or Firm* — Standley Law Group LLP; Stephen L. Grant; Adam J. Smith

(57) **CLAIM**
The ornamental design for a food item support, as shown and described.

DESCRIPTION

FIG. 1 is a front perspective view of an embodiment of the food item support;
FIG. 2 is a front elevation view thereof;
FIG. 3 is a rear elevation view thereof;
FIG. 4 is a right-side elevation view thereof;
FIG. 5 is a left-side elevation view;
FIG. 6 is a top plan view thereof;
FIG. 7 is a bottom plan view thereof;
FIG. 8 is a front perspective view of a blank for forming the food item support of FIG. 1; and,
FIG. 9 is a front perspective view with a food item shown in broken lining to provide environment.
The broken lining is shown for environmental purposes and is not a part of the claimed design.

1 Claim, 7 Drawing Sheets



(56)

References Cited

U.S. PATENT DOCUMENTS

| | | | | |
|------------|---|---------|--------------|--------|
| D714,149 S | * | 9/2014 | Cedeno | D7/504 |
| D741,654 S | * | 10/2015 | Webb | D7/504 |
| D821,870 S | * | 7/2018 | Fly | D9/432 |

* cited by examiner

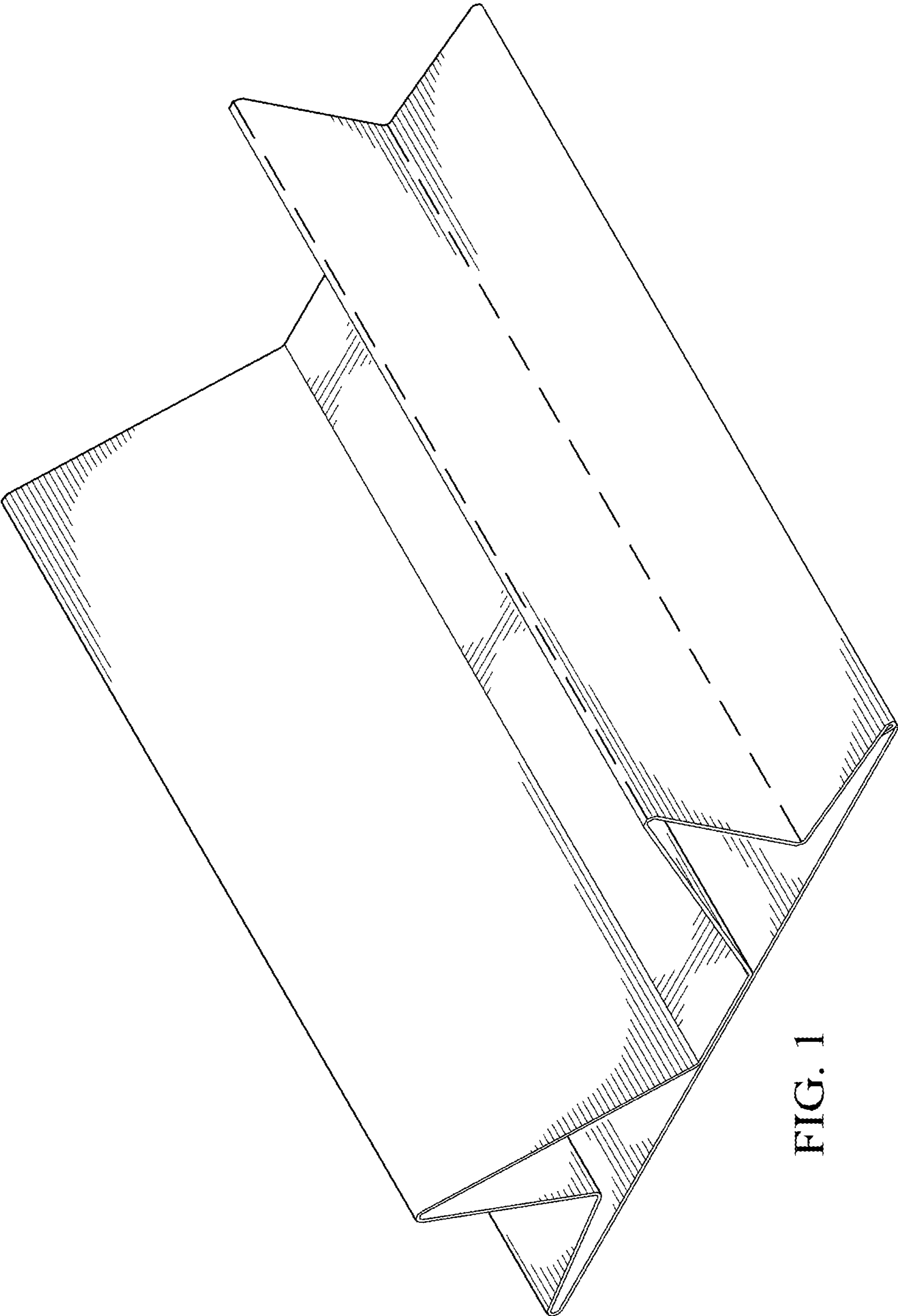


FIG. 1

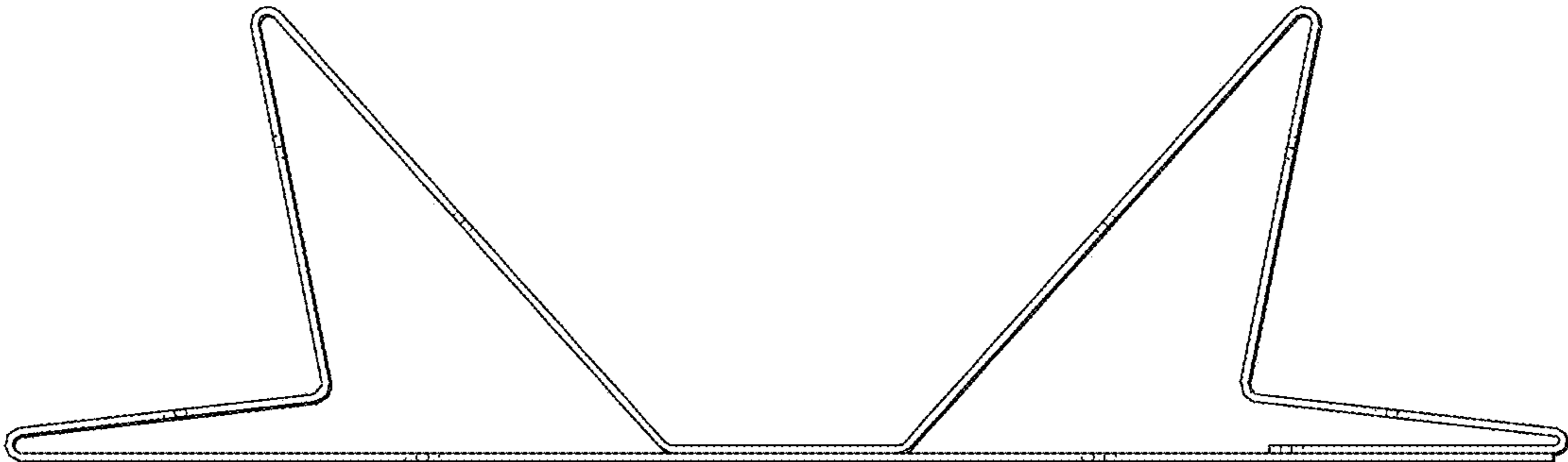


FIG. 2

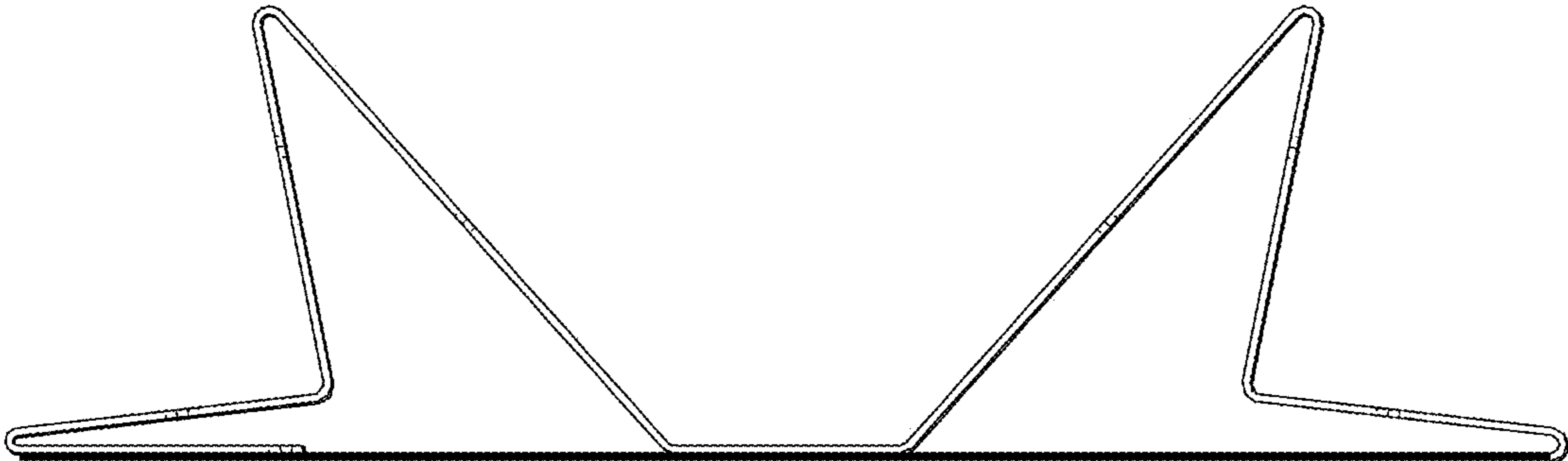


FIG. 3

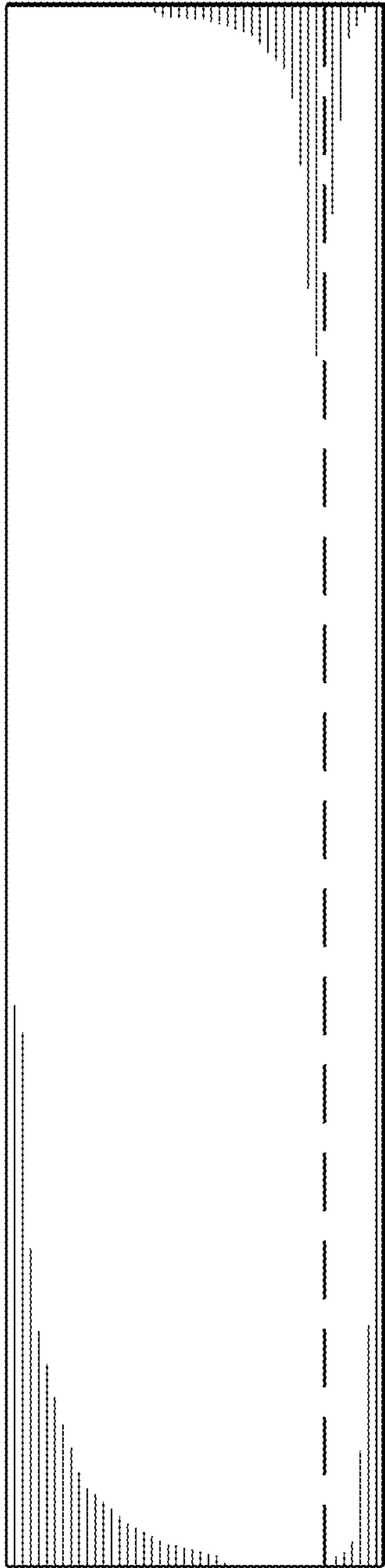


FIG. 4

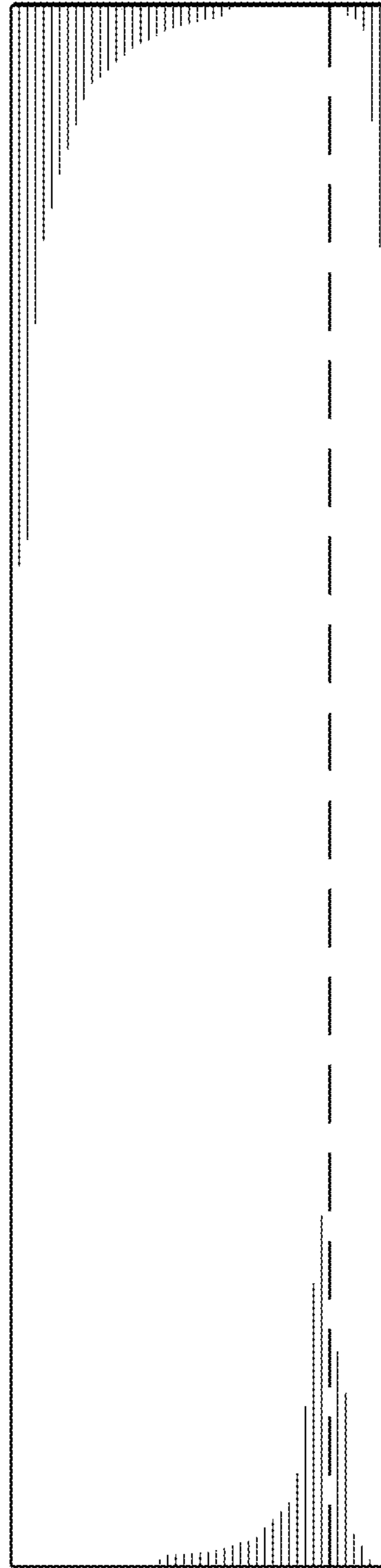


FIG. 5

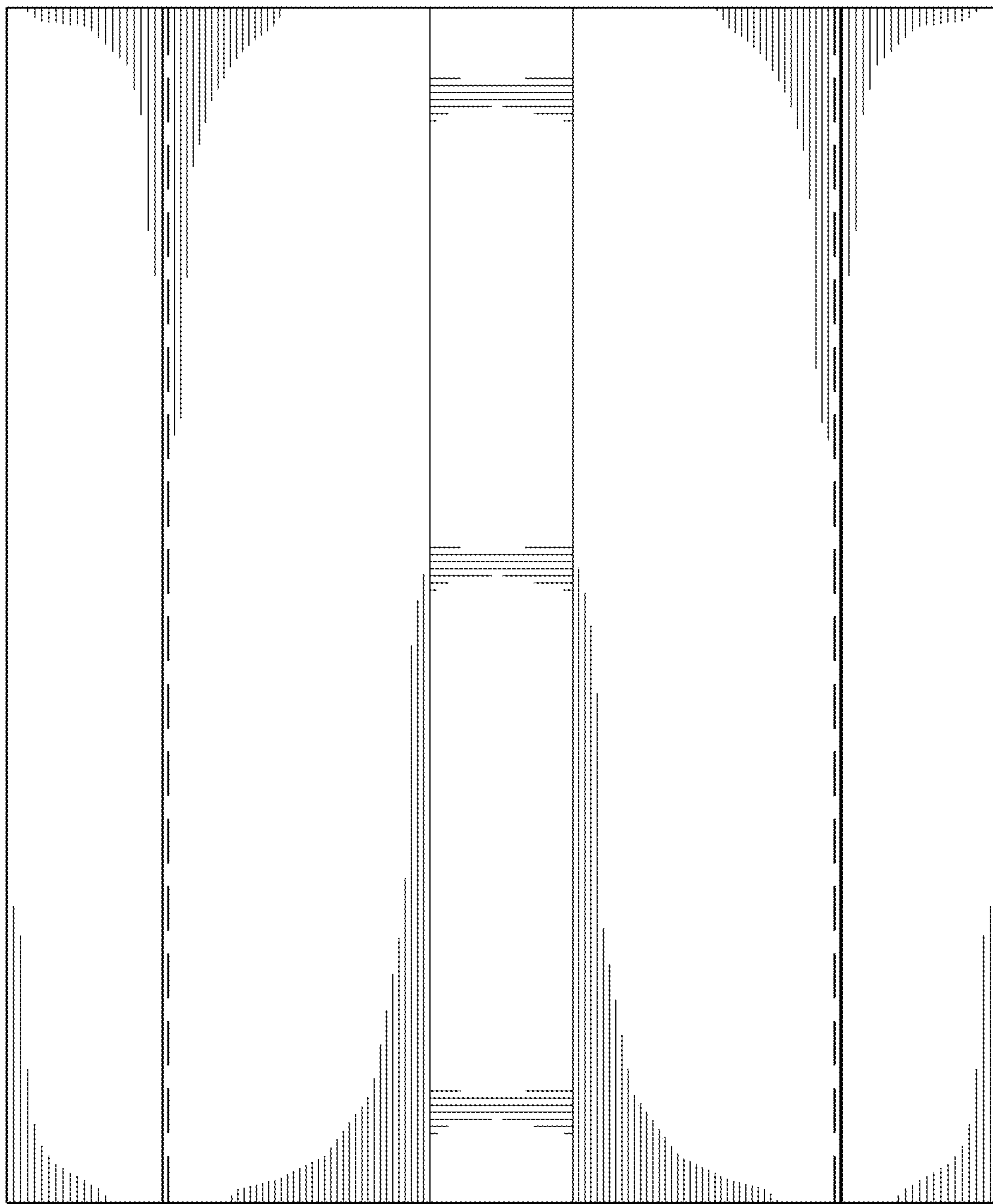


FIG. 6

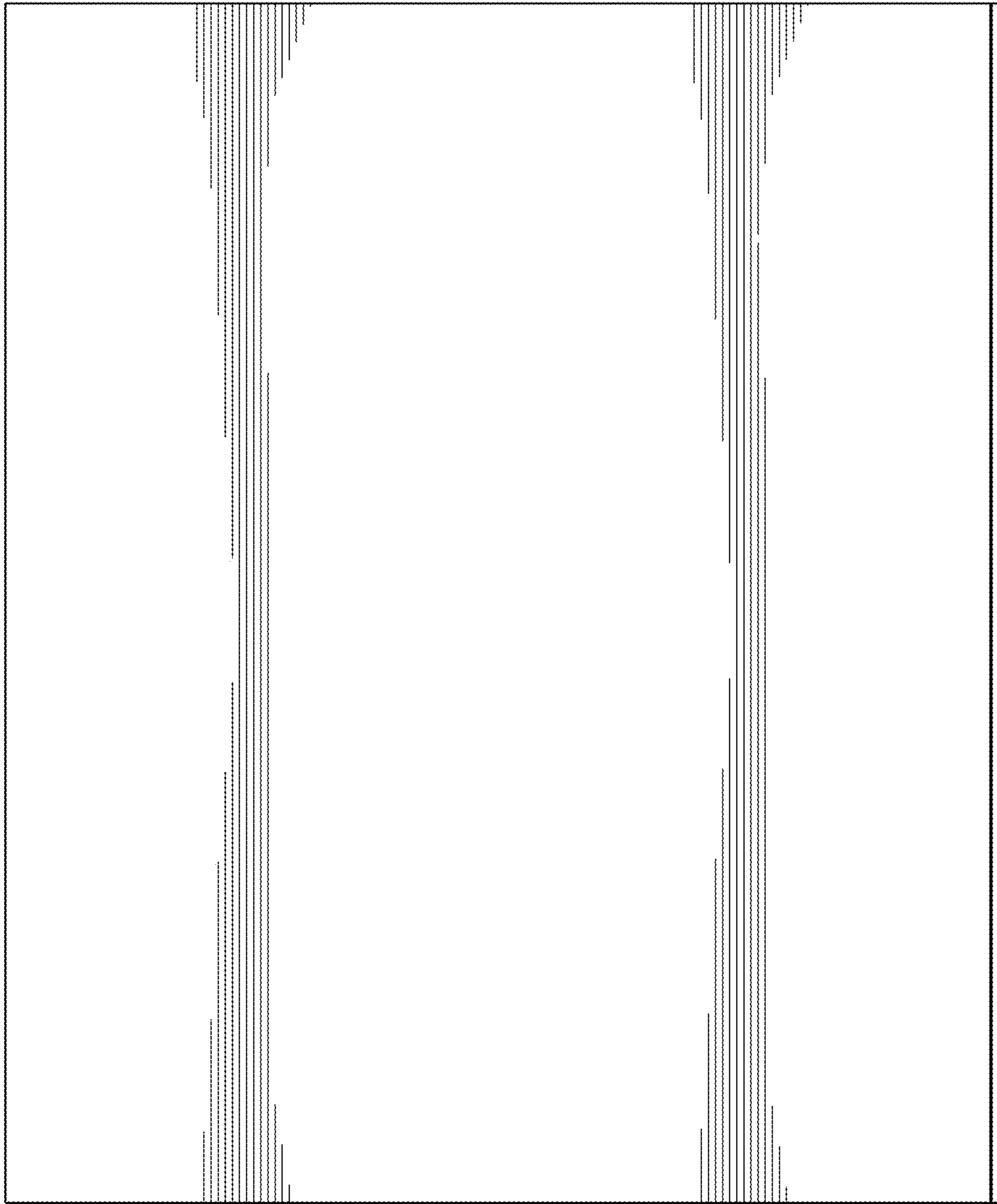


FIG. 7

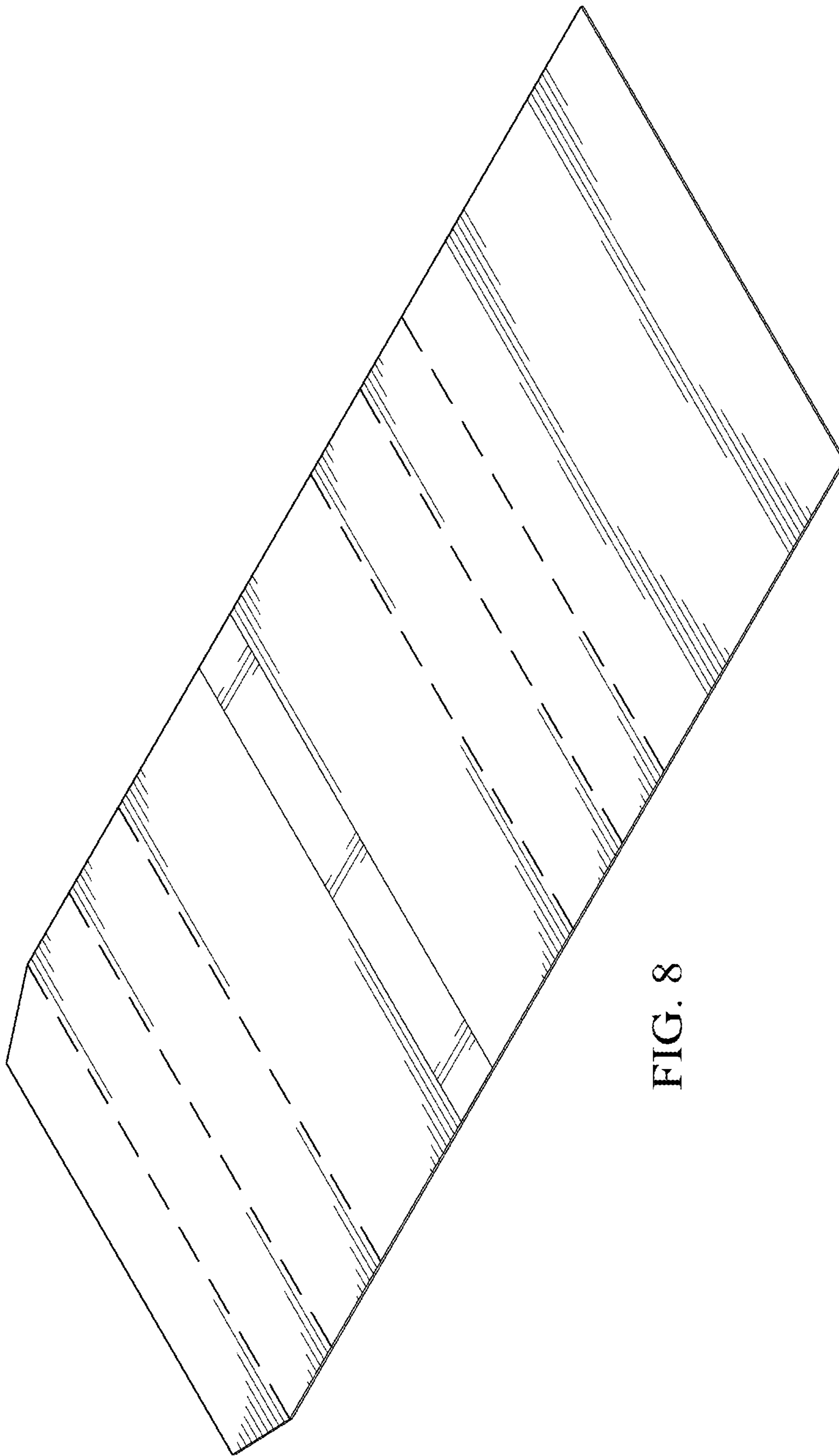


FIG. 8

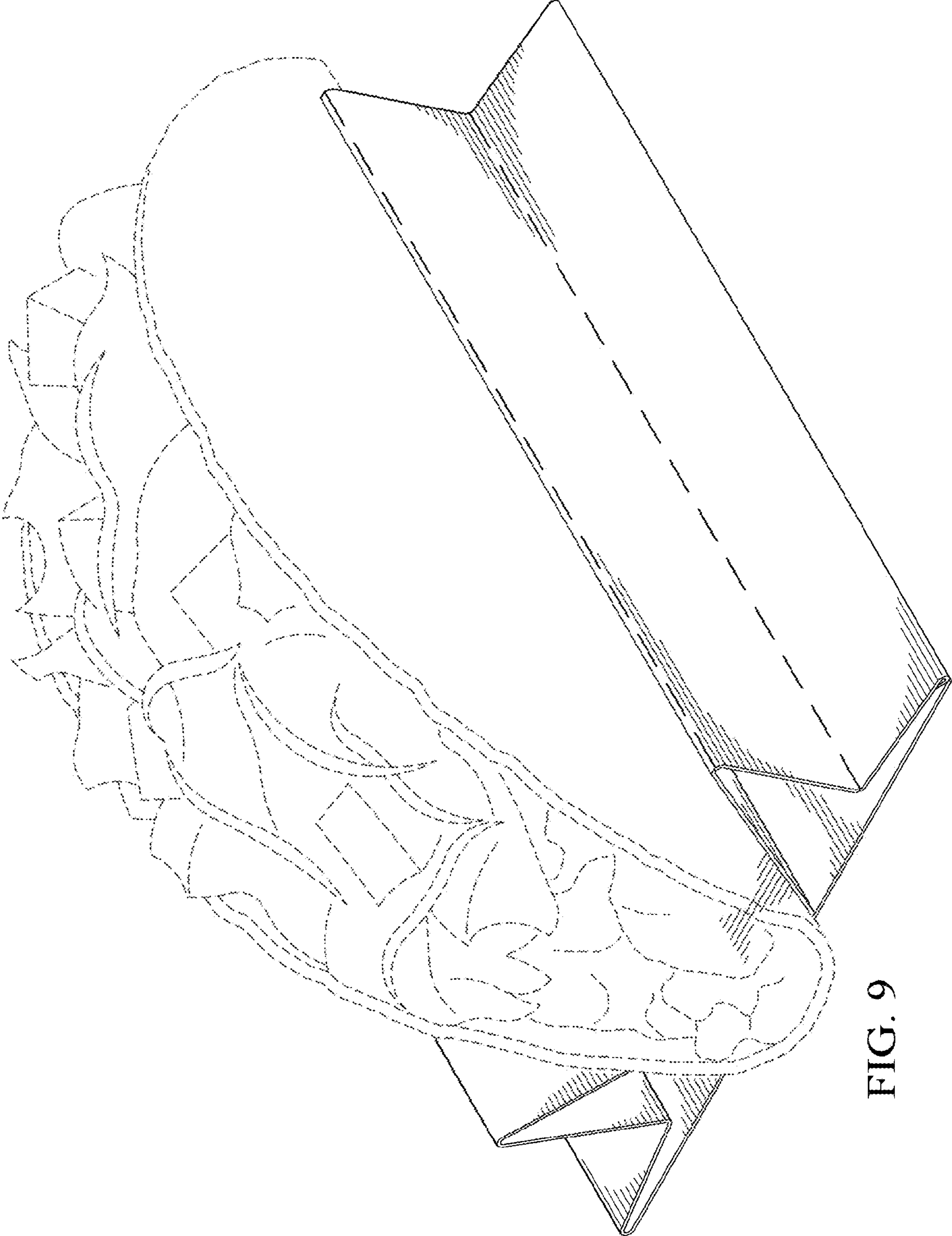


FIG. 9