



US00D892552S

(12) **United States Design Patent**
Liu

(10) **Patent No.:** **US D892,552 S**

(45) **Date of Patent:** **** Aug. 11, 2020**

(54) **PASTA PRESS ATTACHMENT**

(71) Applicant: **Jiaxin Liu**, Shenzhen (CN)

(72) Inventor: **Jiaxin Liu**, Shenzhen (CN)

(**) Term: **15 Years**

(21) Appl. No.: **29/733,979**

(22) Filed: **May 7, 2020**

(51) **LOC (12) Cl.** **31-00**

(52) **U.S. Cl.**
USPC **D7/412; D7/381**

(58) **Field of Classification Search**

USPC D7/368, 372, 376–386, 412, 665–666,
D7/669, 678–679, 693–694

CPC A01F 2015/07; A01F 2015/077; A01F
2015/0775; A23N 1/00; A23N 1/02; A47J
19/00; A47J 19/005; A47J 19/02; A47J
19/025; A47J 19/04; A47J 19/06; A47J
42/32; A47J 42/34; A47J 42/36; A47J
43/044; A47J 43/25; A47J 43/255; B01F
7/26; B01F 7/28; B01F 11/0082; B01F
13/04; B02C 13/00; B02C 13/02; B02C
13/10; B02C 18/06; B02C 18/26; B02C
18/30; B02C 18/302; B02C 18/304; B02C
18/305; B02C 25/00; B02C 2002/00;
B02C 2013/00; B02C 2013/14; B02C
2013/145; B02C 2013/18; B02C
2013/1807; B02C 2013/1857; B02C
2013/1864; B30B 9/00; B30B 9/16; B30B
9/18; B30B 9/20; B30B 9/26; B30B
9/205; B30B 9/207

See application file for complete search history.

(56) **References Cited**

U.S. PATENT DOCUMENTS

D370,383 S * 6/1996 Brefka D7/376
5,806,413 A * 9/1998 Trovinger A47J 19/02
241/37.5

D467,767 S 12/2002 Ancona
D526,539 S * 8/2006 Yip D7/665
D531,850 S * 11/2006 Wong D7/372
D551,493 S * 9/2007 Marcato D7/368
D601,391 S * 10/2009 Chiang D7/665
D683,577 S * 6/2013 Cohen D7/372
D706,580 S * 6/2014 Xie D7/376
D716,601 S * 11/2014 Taghizadeh D7/372
D721,549 S * 1/2015 Li D7/666
D725,440 S * 3/2015 Kim D7/665
D809,853 S 2/2018 Zhang
D841,390 S * 2/2019 Ancona D7/368

(Continued)

OTHER PUBLICATIONS

“KitchenAid KSMPEXTA Gourmet Pasta Press Attachment with 6 Interchangeable Pasta Plates, White”, Retrieved May 7, 2020]. Retrieved from Internet, <https://www.amazon.com/KitchenAid-KSMPEXTA-Gourmet-Attachment-Interchangeable/dp/B01ENK4UV2/>.

(Continued)

Primary Examiner — Ricky Pham

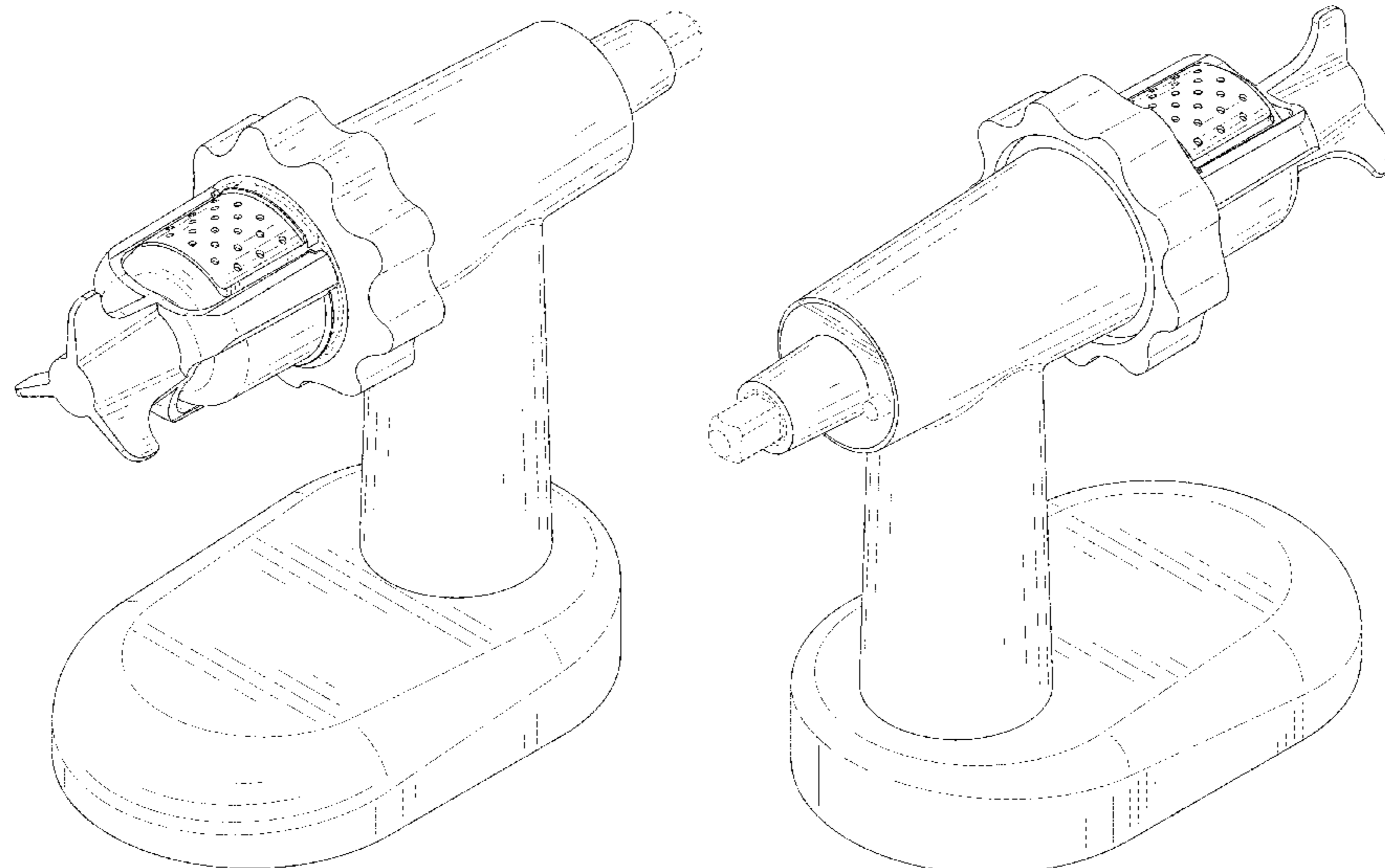
(57) **CLAIM**

The ornamental design for a pasta press attachment, as shown and described.

DESCRIPTION

FIG. 1 is a perspective view of a pasta press attachment showing my new design;
FIG. 2 is another perspective view thereof;
FIG. 3 is a front elevational view thereof;
FIG. 4 is a rear elevational view thereof;
FIG. 5 is a left side elevational view thereof;
FIG. 6 is a right side elevational view thereof;
FIG. 7 is a top plan view thereof; and,
FIG. 8 is a bottom plan view thereof.
The broken lines in the drawings depict portions of the pasta press attachment that form no part of the claimed design.

1 Claim, 8 Drawing Sheets



(56)

References Cited

U.S. PATENT DOCUMENTS

D868,530 S * 12/2019 Zhan D7/372

OTHER PUBLICATIONS

“Stainless Manual Pasta Maching Hand Press Noodle Maker With 6 Kinds Of Noodles”, Retrieved May 7, 2020]. Retrieved from Internet, <https://www.amazon.com/Stainless-Manual-Machine-Noodle-Noodles/dp/B085VC6XKD/>.

* cited by examiner

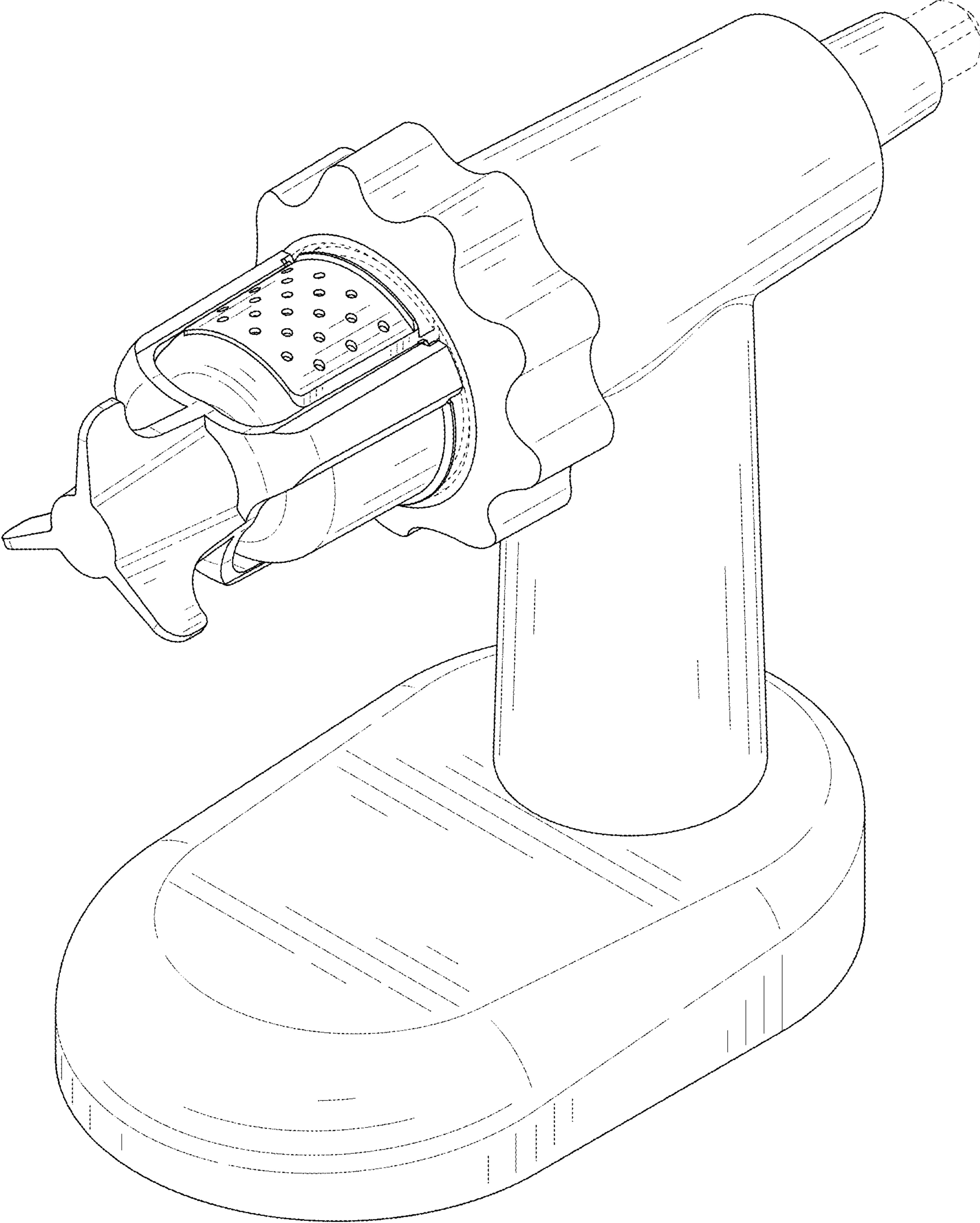


FIG. 1

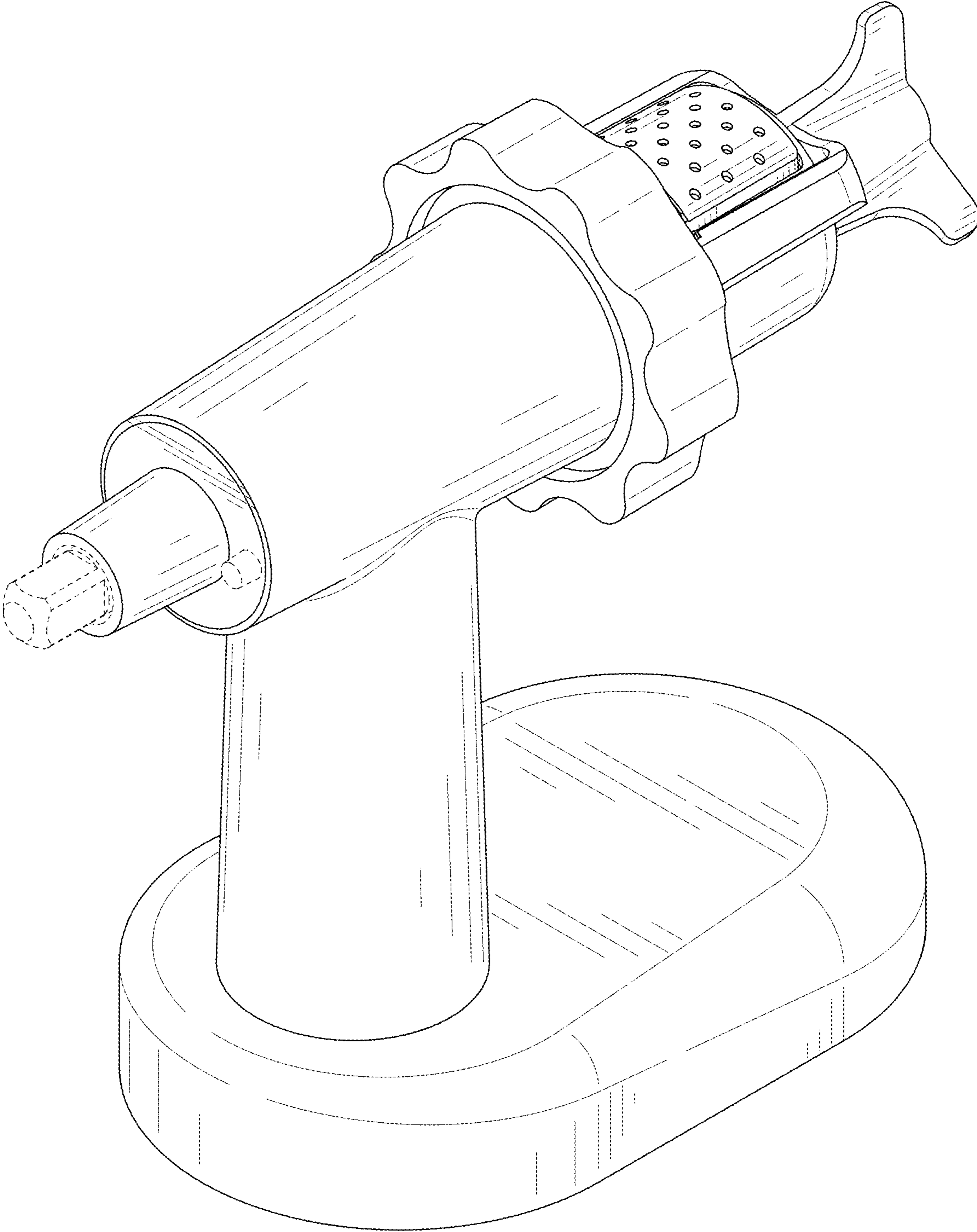


FIG. 2

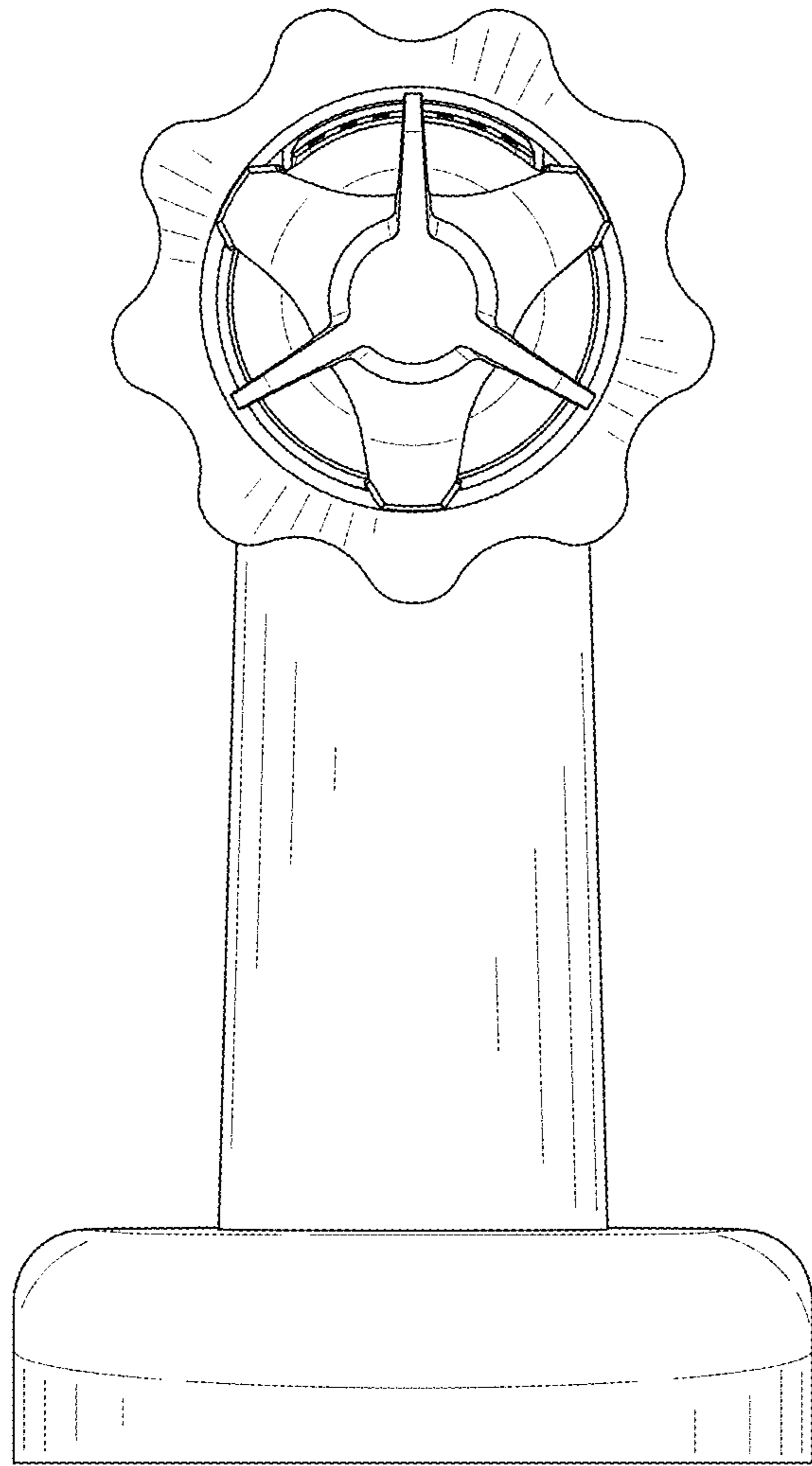


FIG. 3

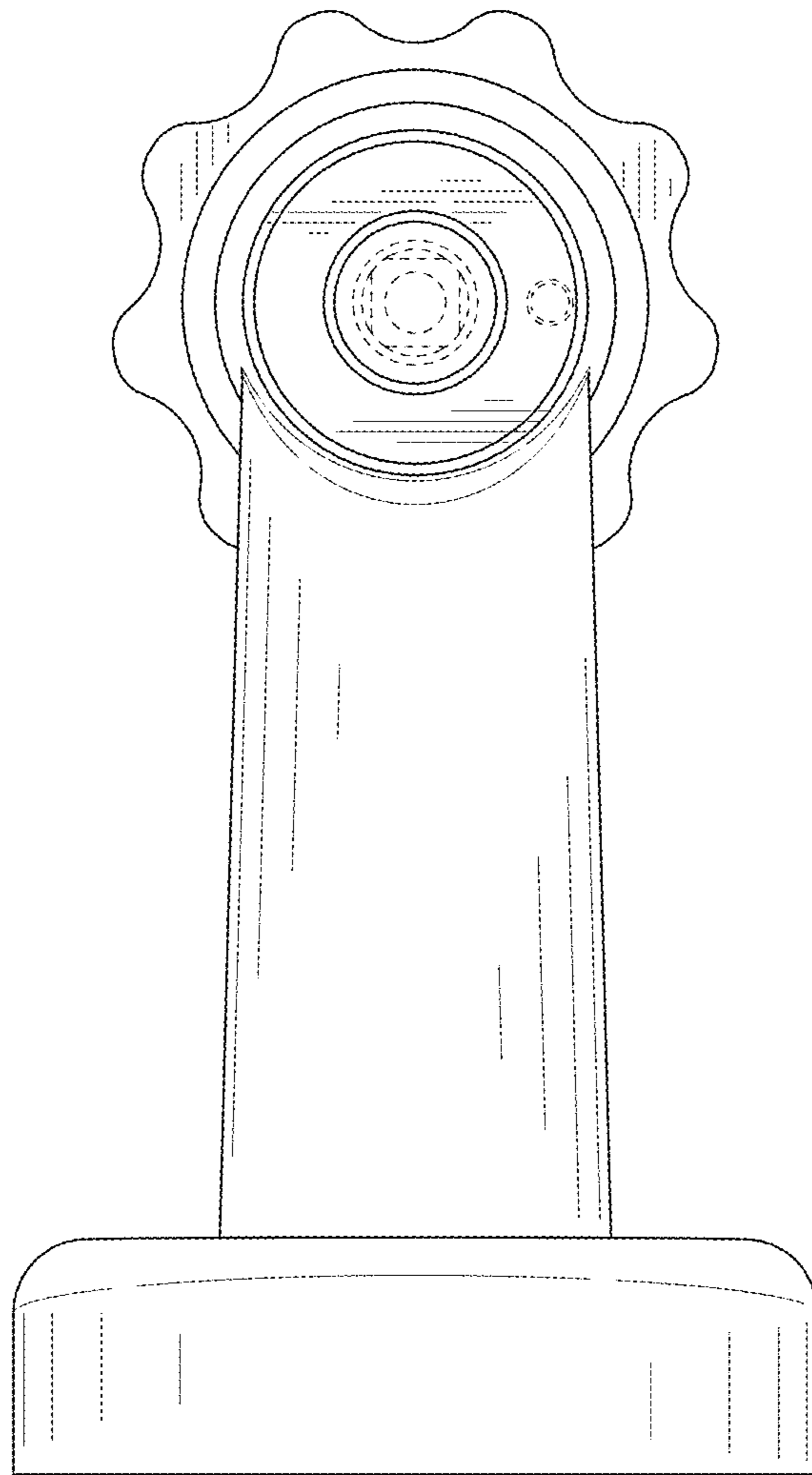


FIG. 4

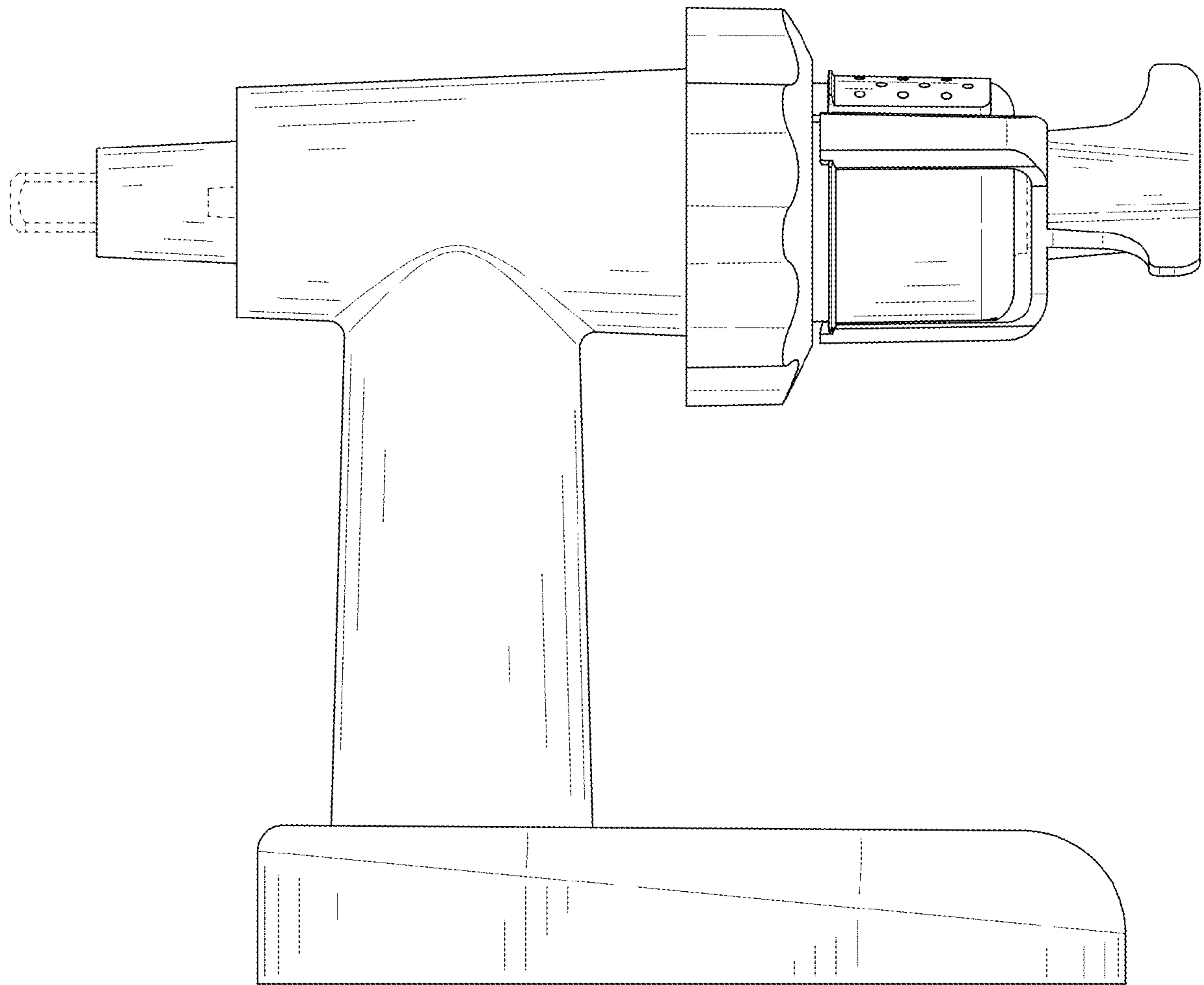


FIG. 5

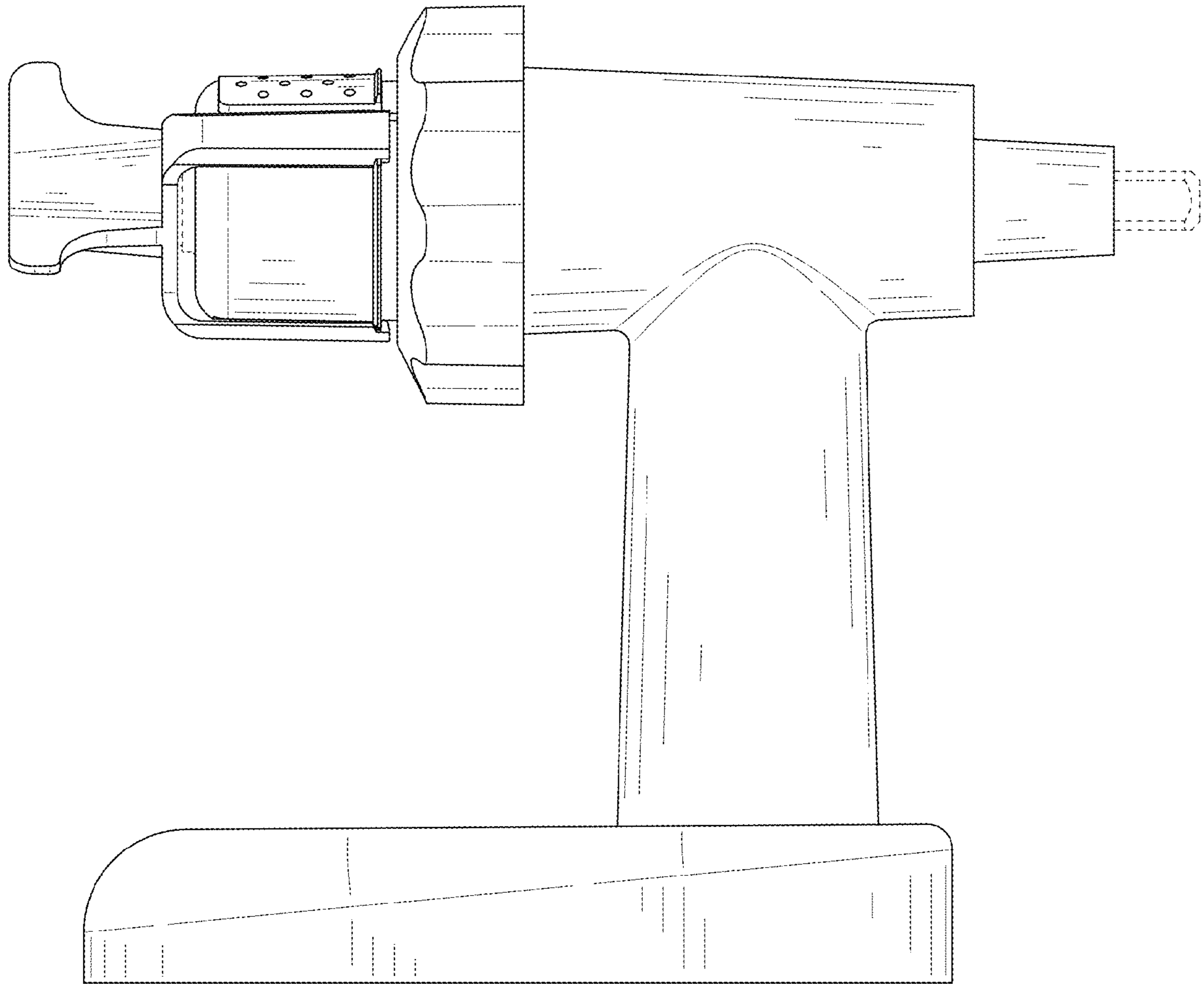


FIG. 6

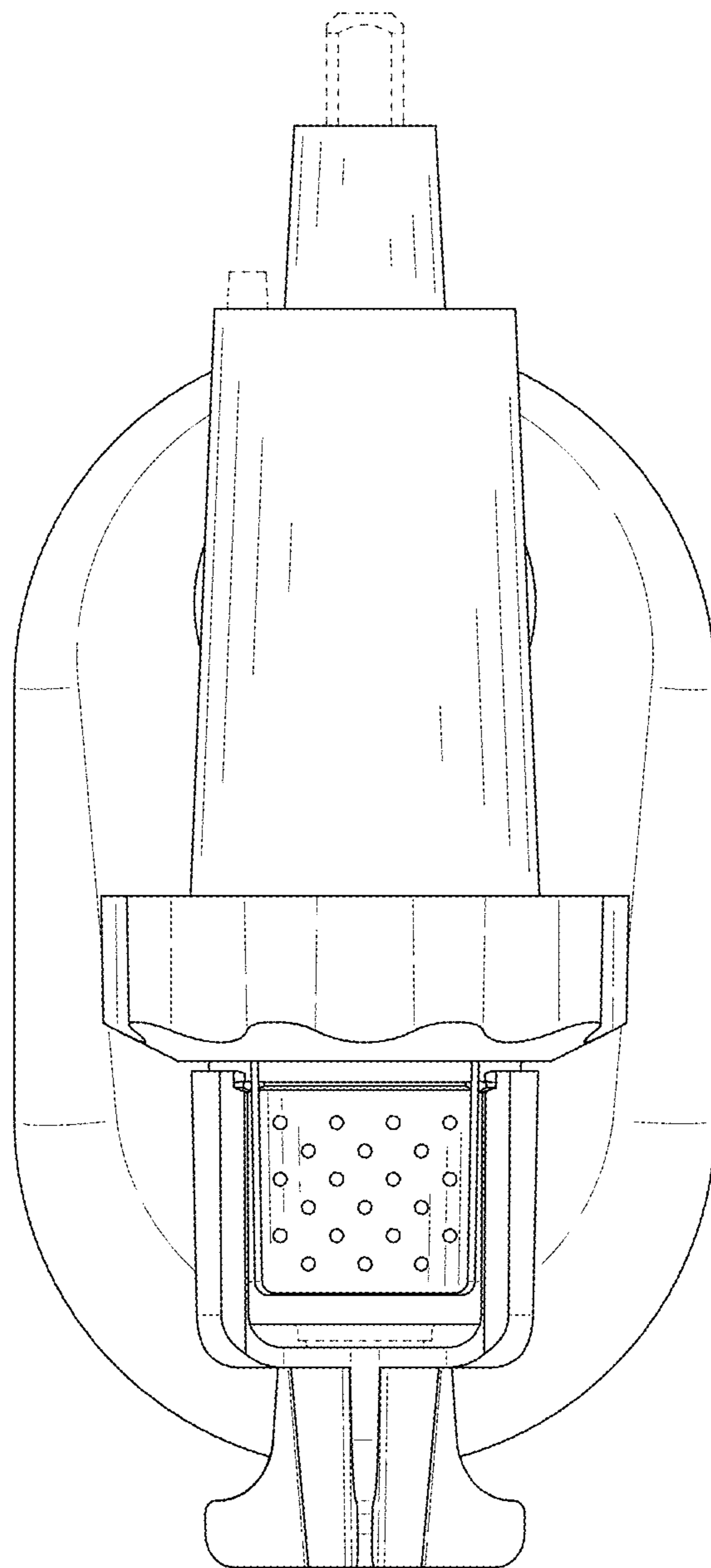


FIG. 7

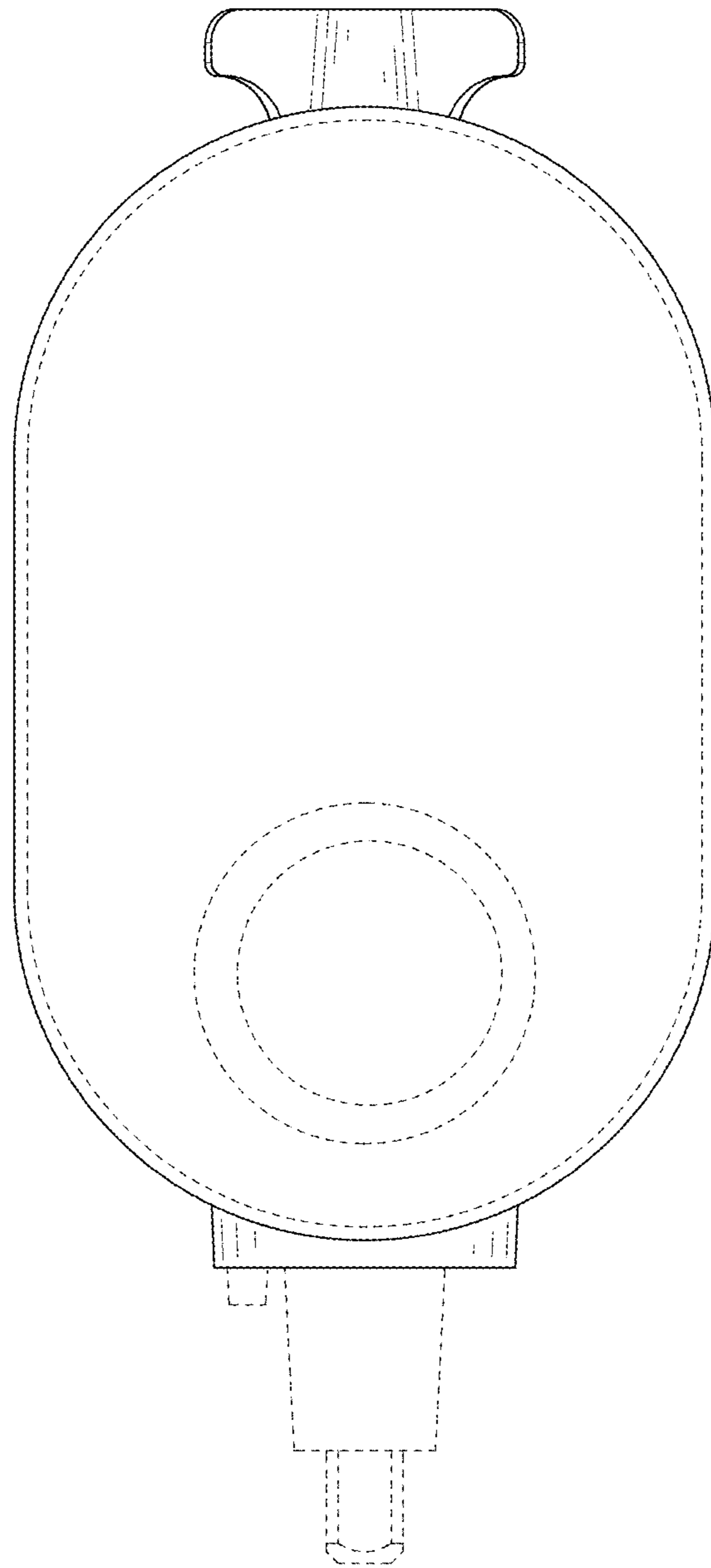


FIG. 8