



US00D892551S

(12) **United States Design Patent** (10) **Patent No.:** **US D892,551 S**
Fastabend et al. (45) **Date of Patent:** **** Aug. 11, 2020**

(54) **BLADE COVER**

3,145,743 A 8/1964 Crohneim
3,163,192 A 12/1964 Lupoli
3,277,574 A 10/1966 Giasi
D207,378 S 4/1967 Levin
3,369,582 A 2/1968 Giangiulio
(Continued)

(71) Applicant: **Prince Castle LLC**, Carol Stream, IL (US)

(72) Inventors: **Mark Fastabend**, Chicago, IL (US);
Aleksandr Yazvin, Glenview, IL (US);
Scott R. Hammac, Joliet, IL (US)

(73) Assignee: **Prince Castle LLC**, Carol Stream, IL (US)

FOREIGN PATENT DOCUMENTS

DE 102004002070 8/2005
DE 102006011386 9/2007
(Continued)

(**) Term: **15 Years**

OTHER PUBLICATIONS

(21) Appl. No.: **29/711,918**

SESCO Foodservice EQ, Prince Castle Saber King Video, May 24, 2017, Youtube, <https://www.youtube.com/watch?v=HZ9Sww9Plc4> (Year: 2017).*

(22) Filed: **Nov. 4, 2019**

(Continued)

Related U.S. Application Data

(62) Division of application No. 29/638,669, filed on Feb. 28, 2018, now Pat. No. Des. 869,904.

Primary Examiner — Brett Miller

(51) **LOC (12) Cl.** **31-00**

(74) *Attorney, Agent, or Firm* — Andrus Intellectual Property Law, LLP

(52) **U.S. Cl.**

USPC **D7/412**; D7/674

(57) **CLAIM**

(58) **Field of Classification Search**

USPC D7/672–677, 669, 381, 698, 693, 412, D7/368; 30/114, 303

The ornamental design for a blade cover, as shown and described.

CPC B26B 29/06; B26B 29/063; B26B 3/04; B26B 5/008; B26D 3/185; B26D 3/24; B26D 3/26; B26D 1/553; A21C 15/04; A21C 11/106; A21C 11/22

DESCRIPTION

See application file for complete search history.

FIG. 1 is a perspective view of the blade cover;
FIG. 2 is a top view thereof;
FIG. 3 is a bottom view thereof;
FIG. 4 is a left side view thereof;
FIG. 5 is a front view thereof; and,
FIG. 6 is a back view thereof.

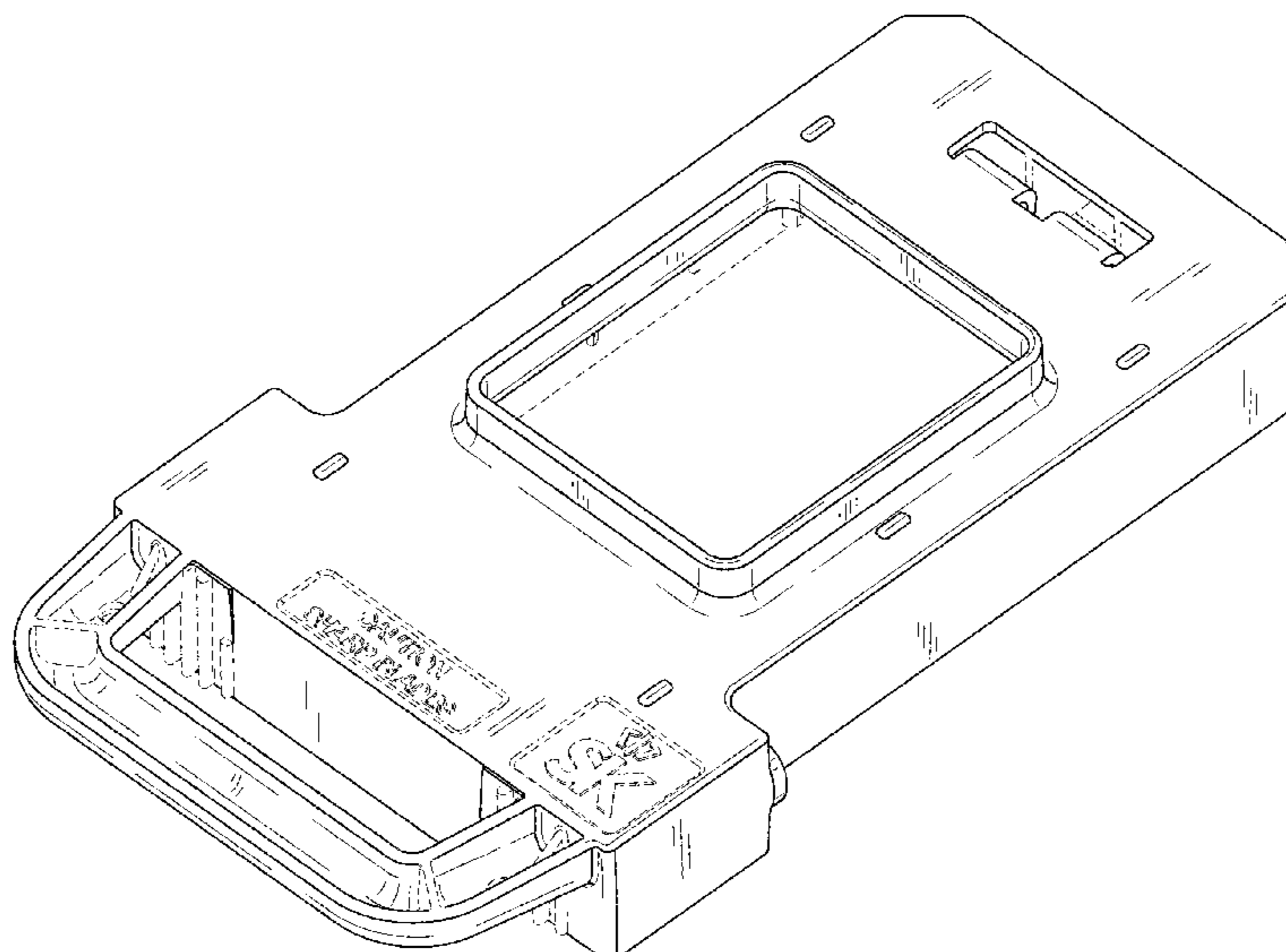
The broken lines immediately adjacent the shaded areas represent the bounds of the claimed design while all other broken lines are directed to environment and are for illustrative purposes only; there broken lines form no part of the claimed design.

(56) **References Cited**

U.S. PATENT DOCUMENTS

2,563,237 A 6/1947 Grocoff
D148,703 S 2/1948 Ingram et al.
D164,693 S 10/1951 Kooas
2,592,657 A 4/1952 Owen
2,836,212 A 5/1958 Albert
2,916,986 A 12/1959 Morris

1 Claim, 5 Drawing Sheets



(56)

References Cited

U.S. PATENT DOCUMENTS

3,463,211 A 8/1969 Holz
 3,605,839 A 9/1971 Gerson
 3,924,501 A 12/1975 Cohen et al.
 4,059,037 A 11/1977 Gerson
 4,062,260 A 12/1977 Steinhogel
 4,254,678 A 3/1981 Novy et al.
 4,302,997 A 12/1981 Jones et al.
 D264,542 S 5/1982 Doyel
 4,383,365 A 5/1983 Metzgian
 4,436,011 A 3/1984 Jones
 4,453,458 A 6/1984 Altman
 4,567,801 A 2/1986 Jones
 4,573,384 A 3/1986 Jones
 4,579,028 A 4/1986 Neidhart
 4,599,928 A 7/1986 Oker
 D293,194 S 12/1987 Kreth
 D297,798 S 9/1988 Leung
 4,870,719 A 10/1989 Harris
 5,245,902 A 9/1993 Pereira
 5,343,623 A 9/1994 Cole et al.
 5,419,245 A 5/1995 Short
 5,613,903 A 3/1997 Fujitaki et al.
 D378,972 S * 4/1997 Hug D7/381
 5,692,424 A 12/1997 Wallace
 5,749,145 A 5/1998 Bauklah
 D400,065 S 10/1998 Fohrman
 D406,990 S 3/1999 Ocampo
 5,950,515 A 9/1999 Wetzell
 5,971,847 A 10/1999 Webb
 D421,369 S 3/2000 Samarasinghe
 6,033,304 A 3/2000 Haynes
 6,041,682 A 3/2000 Jensen et al.
 D436,504 S 1/2001 Demers
 D464,851 S 10/2002 Dorion
 D475,584 S 6/2003 Bachman et al.
 D505,302 S 5/2005 Veltrop et al.
 D510,507 S 10/2005 Lo
 D531,465 S 11/2006 Tellier
 D548,022 S * 8/2007 Kaposi D7/673
 D548,547 S * 8/2007 Kaposi D7/672
 D568,117 S 5/2008 Hauser
 D573,418 S 7/2008 Ho

8,286,355 B2 10/2012 Aby-Eva et al.
 8,438,737 B2 5/2013 Lo et al.
 8,495,941 B2 7/2013 Farid et al.
 D708,917 S * 7/2014 Wong D7/672
 D744,299 S 12/2015 Lipscomb et al.
 D773,893 S * 12/2016 Fastabend D7/412
 D777,537 S * 1/2017 Repac D7/672
 D781,649 S * 3/2017 Fastabend D7/412
 D823,054 S * 7/2018 Miller D7/412
 D858,218 S * 9/2019 Kaposi D7/674
 D859,091 S * 9/2019 Appelbaum D7/693
 D862,170 S * 10/2019 Bagley D7/412
 D869,904 S * 12/2019 Fastabend D7/412
 D873,627 S * 1/2020 Chen D7/672
 2005/0199115 A1 9/2005 Veltrop et al.
 2006/0185488 A1 8/2006 Short et al.
 2006/0225547 A1 10/2006 Stanojevic et al.
 2009/0249935 A1 10/2009 Kaposi
 2010/0031830 A1 * 2/2010 Engdahl B26D 1/553
 99/538
 2010/0313724 A1 12/2010 Farid et al.
 2011/0283549 A1 11/2011 Moss et al.
 2014/0208917 A1 7/2014 Whitney

FOREIGN PATENT DOCUMENTS

EP	1570961	9/2005
EP	1759819	3/2007
GB	132809	12/1920
GB	398939	9/1933
GB	1144724	3/1969
GB	2312613	11/1997

OTHER PUBLICATIONS

Edlund, Manual Fruit & Vegetable Slicer, 2014.
 Nemco, Operating and Maintenance Instruction for Lettuce Kutter, 2012.
 Nemco, Easy Cartridge Onion Slicer, 2008.
 Prince Castle LLC, Dice Witch, 2009.
 Prince Castle LLC, Lettuce Kuttlet, 2009.
 Prince Castle LLC, Tomato Saber Operating Instructions, 1999.
 Vollrath, Onion King Operator's Manual, 2014.

* cited by examiner

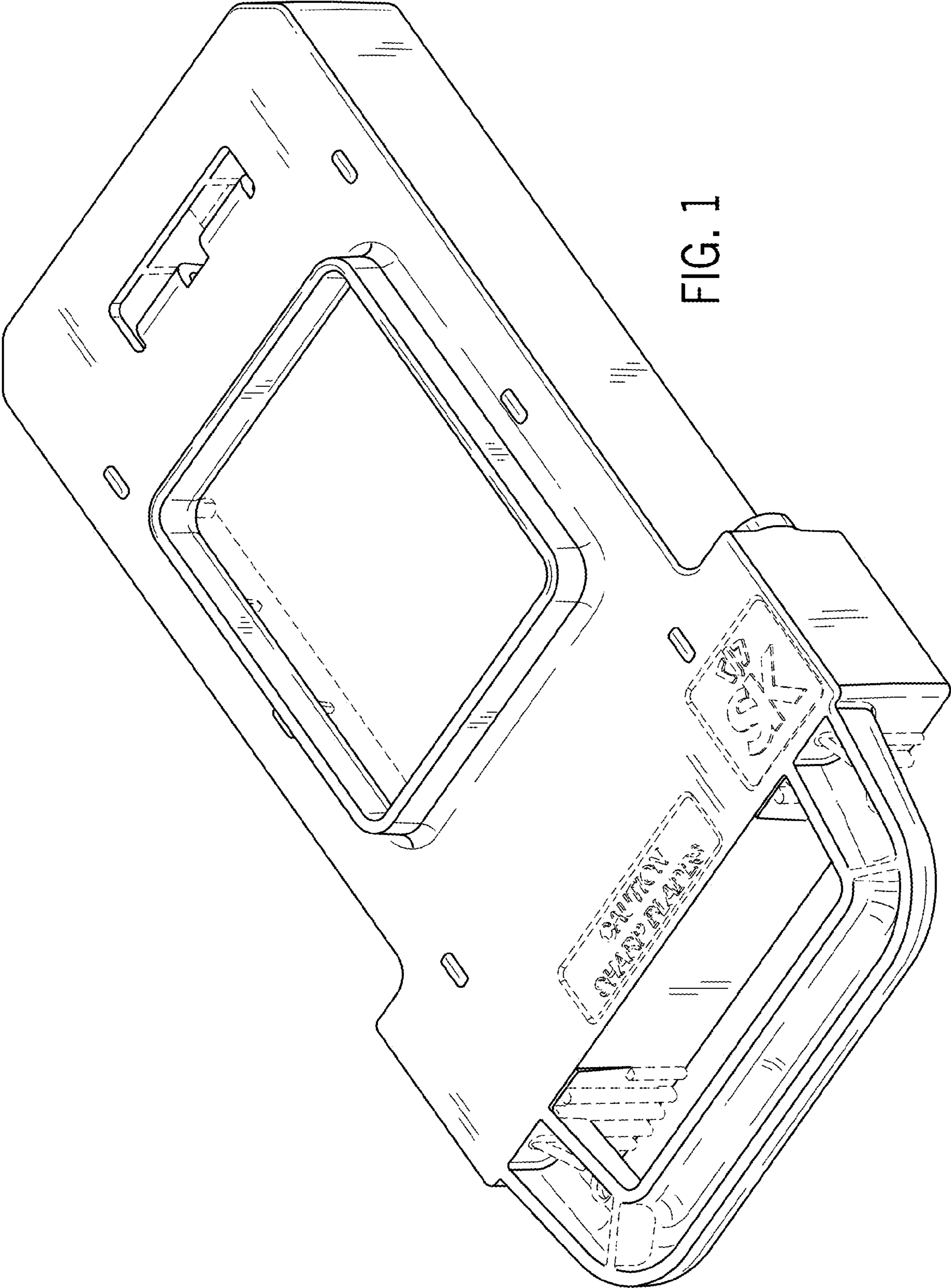


FIG. 1

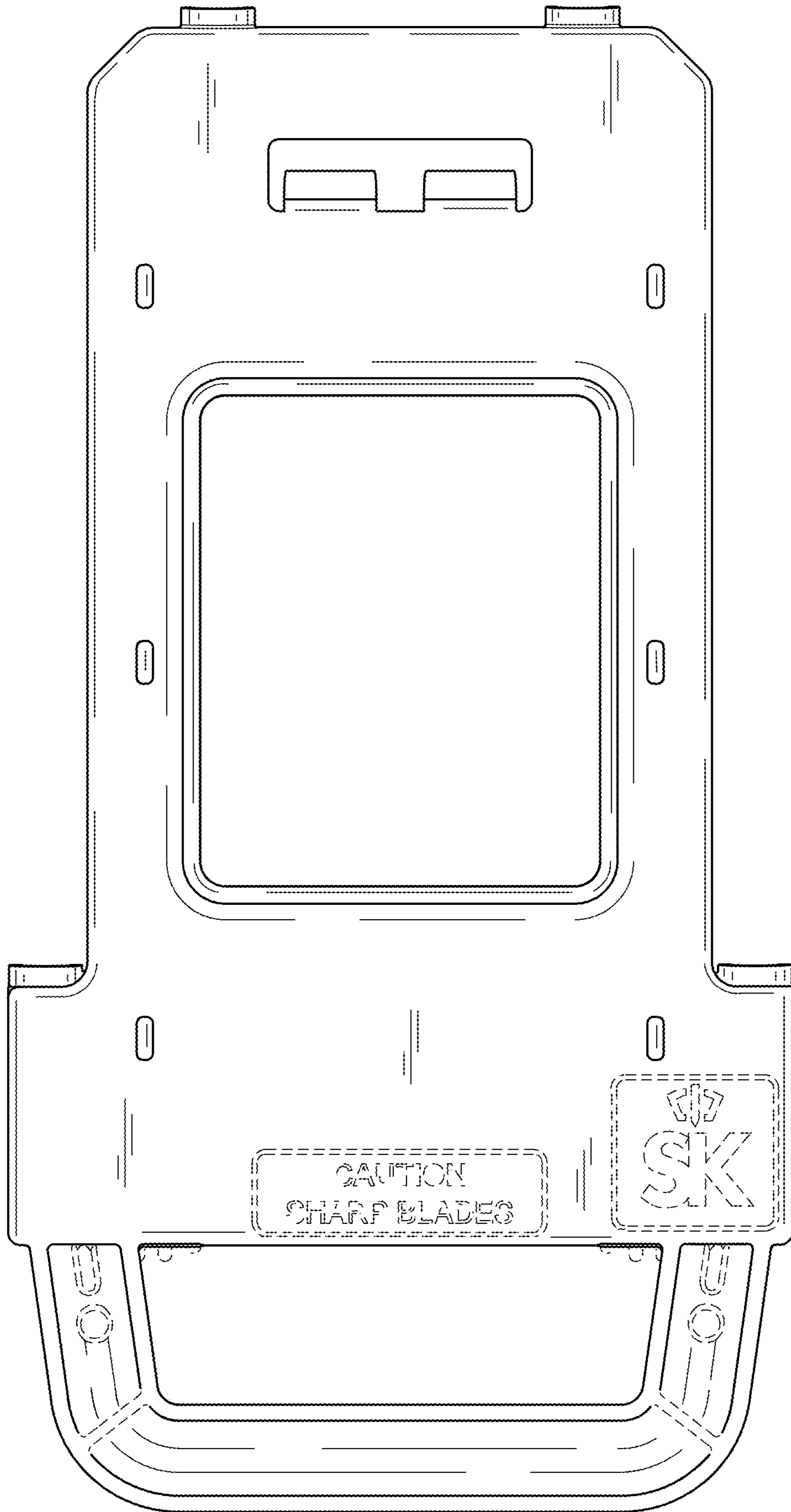


FIG. 2

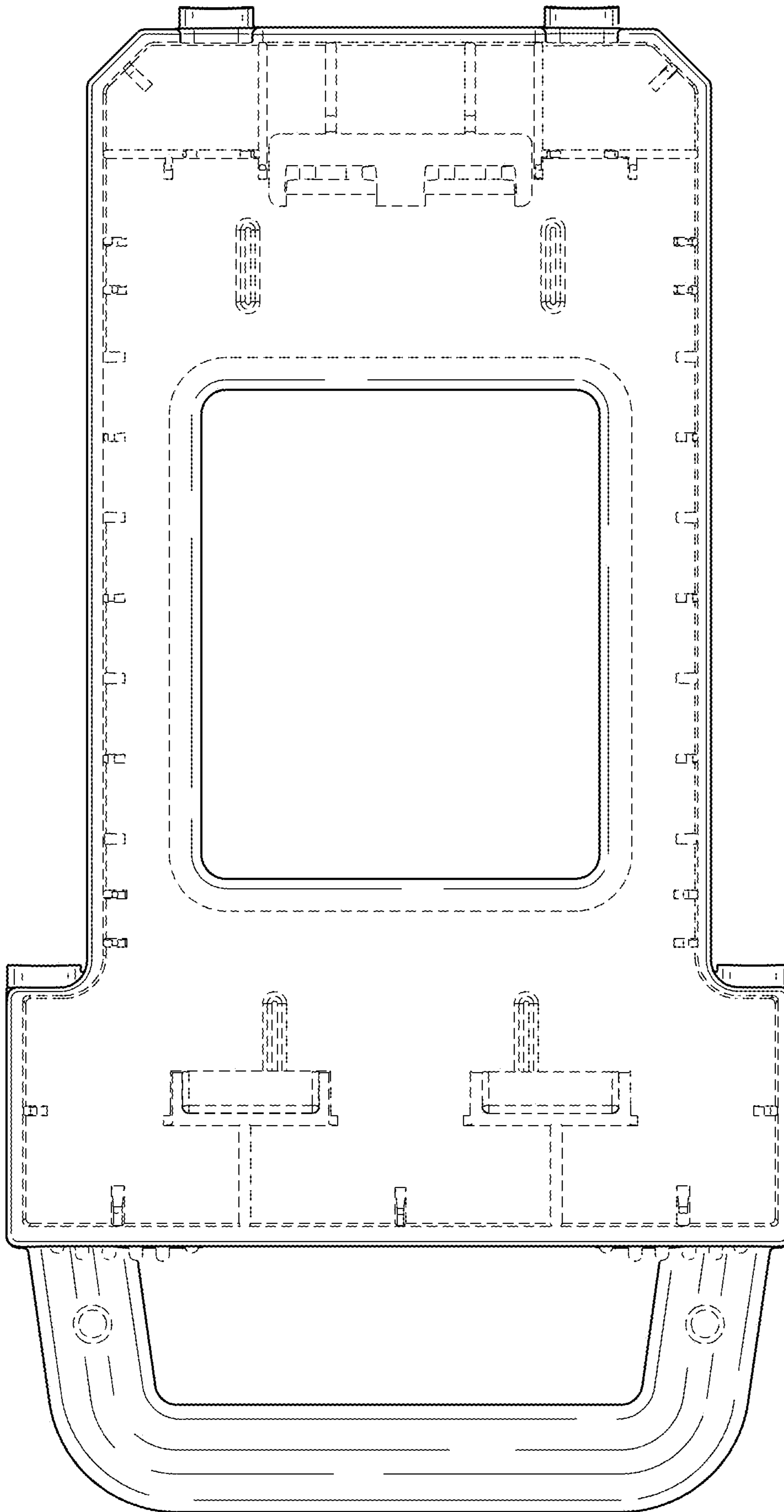


FIG. 3

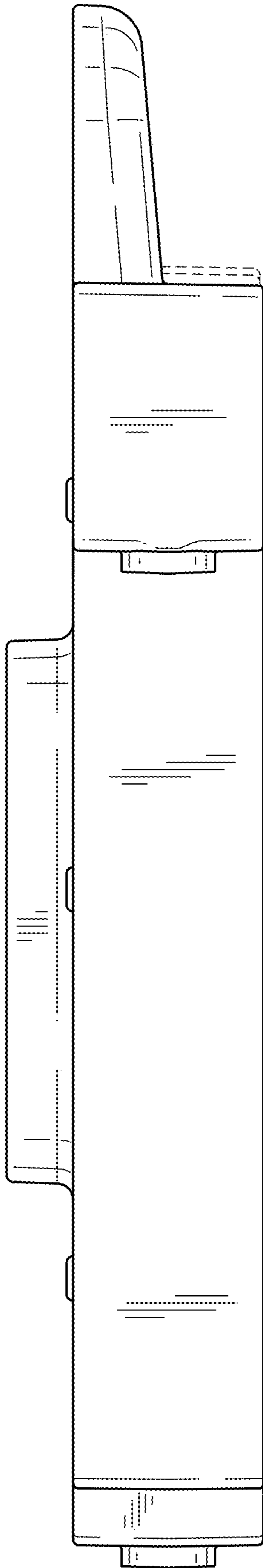


FIG. 4

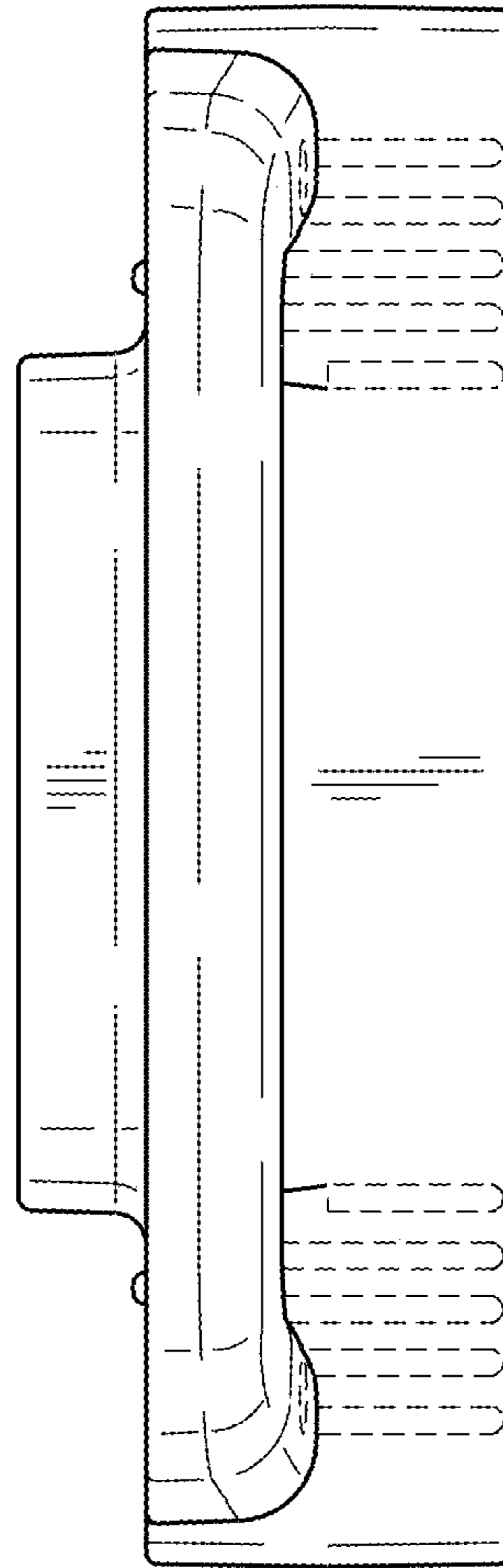


FIG. 5

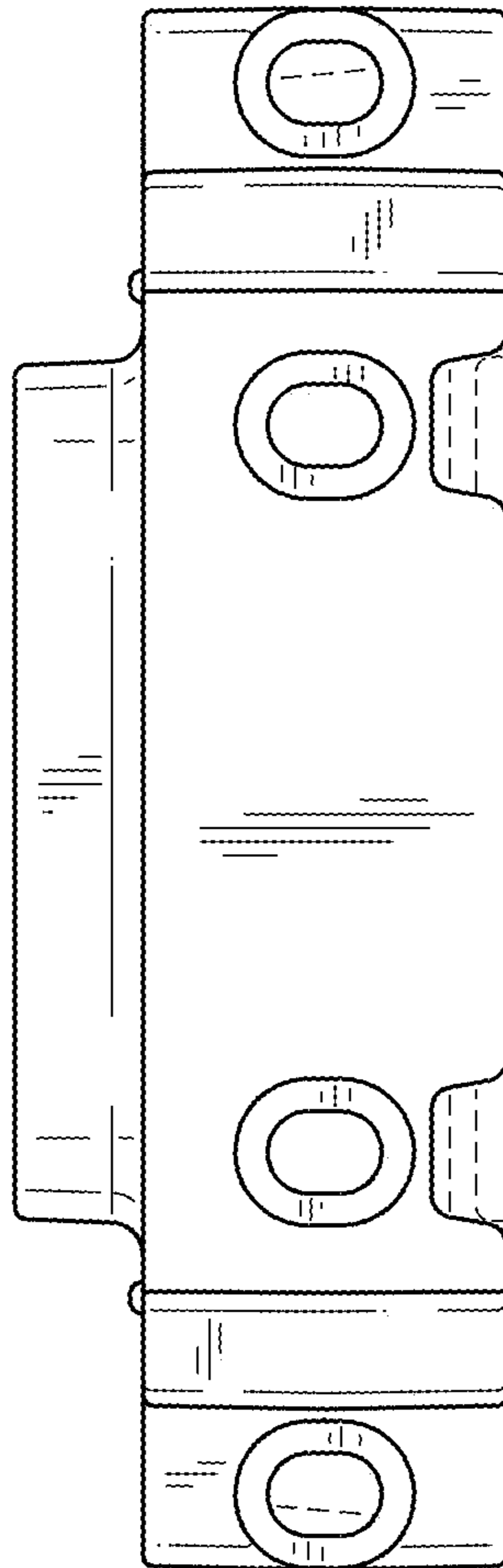


FIG. 6