



US00D892548S

(12) **United States Design Patent**
Yoon

(10) **Patent No.:** **US D892,548 S**

(45) **Date of Patent:** **** Aug. 11, 2020**

- (54) **PORTABLE COFFEE DRIPPER**
- (71) Applicant: **BEANSCORP Co., Ltd**, Seoul (KR)
- (72) Inventor: **Han Sang Yoon**, Seoul (KR)
- (73) Assignee: **BEANSCORP Co., Ltd**, Seoul (KR)
- (**) Term: **15 Years**

9,743,797	B2 *	8/2017	Richardson	A47J 31/5253
D823,033	S *	7/2018	Cailleton	D7/300
D823,034	S *	7/2018	Cailleton	D7/300
D823,047	S *	7/2018	Seymour	D7/363
D823,050	S *	7/2018	Neace, Jr.	D7/399
D833,224	S *	11/2018	Wahlkvist	D7/510
10,219,647	B2 *	3/2019	Richardson	A47J 31/057
D848,793	S *	5/2019	Osada	D7/511
D878,864	S *	3/2020	Lawson-Shanks	D7/507
2015/0182059	A1 *	7/2015	Richardson	A47J 31/005 99/302 R
2019/0191913	A1 *	6/2019	Richardson	A47J 31/005

- (21) Appl. No.: **29/671,166**
- (22) Filed: **Nov. 23, 2018**

* cited by examiner

(30) **Foreign Application Priority Data**

Nov. 6, 2018 (KR) 30-2018-0051219

- (51) **LOC (12) Cl.** **07-99**
- (52) **U.S. Cl.**
USPC **D7/399; D7/397; D7/510; D7/507**
- (58) **Field of Classification Search**
USPC **D7/399, 400, 300, 309, 310, 510, 511,
D7/507; 99/303, 287, 299, 319, 296,
99/279; D9/523, 551**
CPC **A47J 31/5253; A47J 31/057; A47J 31/005;
A47J 31/061; A47J 31/16**
See application file for complete search history.

Primary Examiner — Marianne N Pandozzi
(74) *Attorney, Agent, or Firm* — Novick, Kim & Lee, PLLC; Jae Youn Kim; Hyun Woo Shin

(57) **CLAIM**

I claim the ornamental design for a portable coffee dripper, as shown and described.

DESCRIPTION

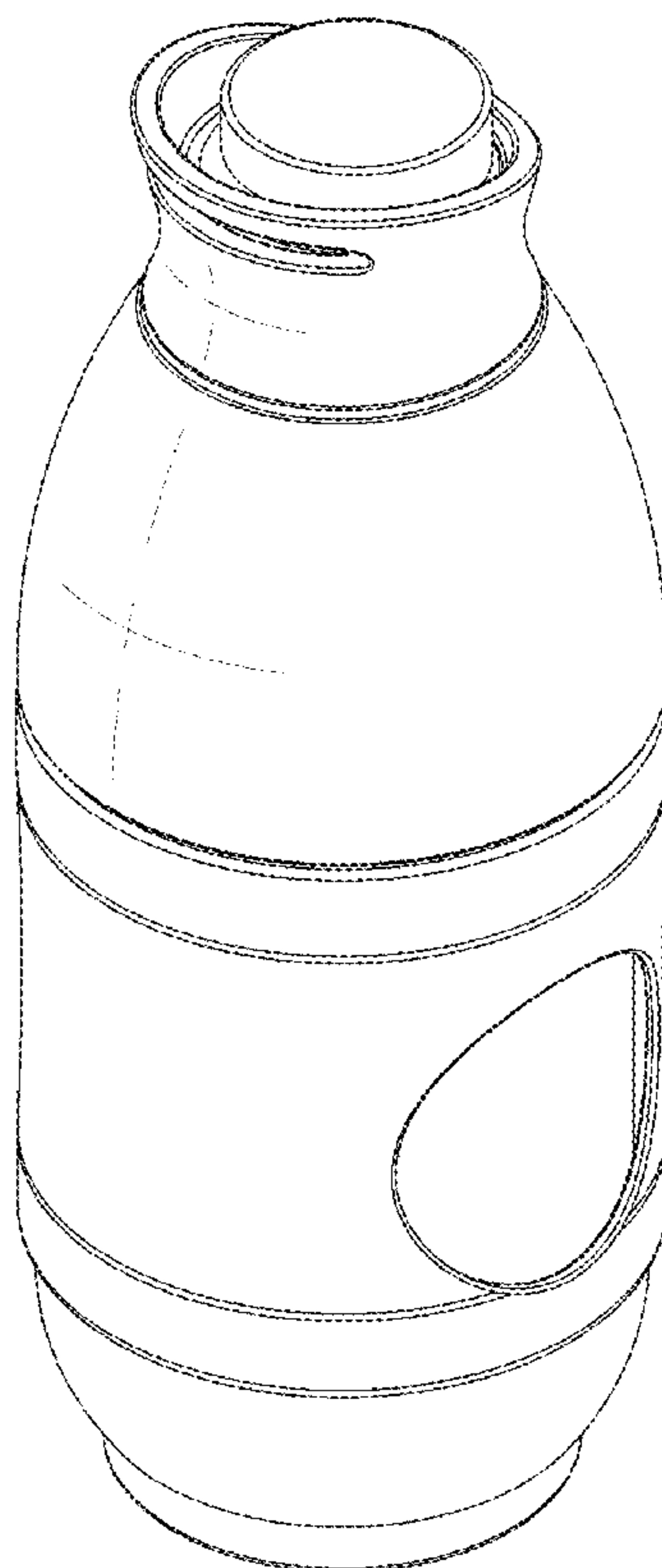
FIG. 1 is a perspective view of a portable coffee dripper, showing my new design;
FIG. 2 is a front elevational view thereof;
FIG. 3 is a rear elevational view thereof;
FIG. 4 is a left side elevational view thereof;
FIG. 5 is a right side elevational view thereof;
FIG. 6 is a top plan view thereof;
FIG. 7 is a bottom plan view thereof; and,
FIG. 8 is an exploded view thereof.

(56) **References Cited**

U.S. PATENT DOCUMENTS

D750,935	S *	3/2016	Cook	D7/399
D769,067	S *	10/2016	Cheung	D7/399

1 Claim, 7 Drawing Sheets



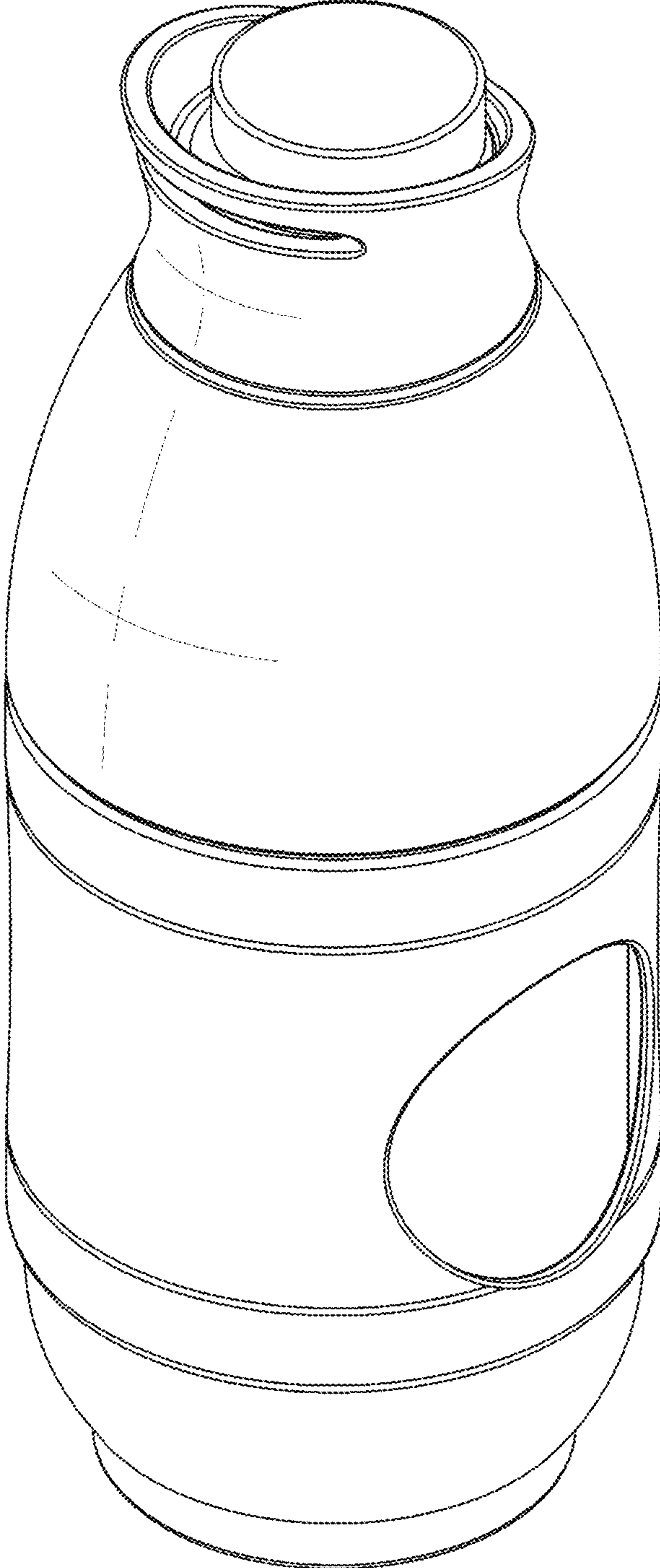


FIG. 1

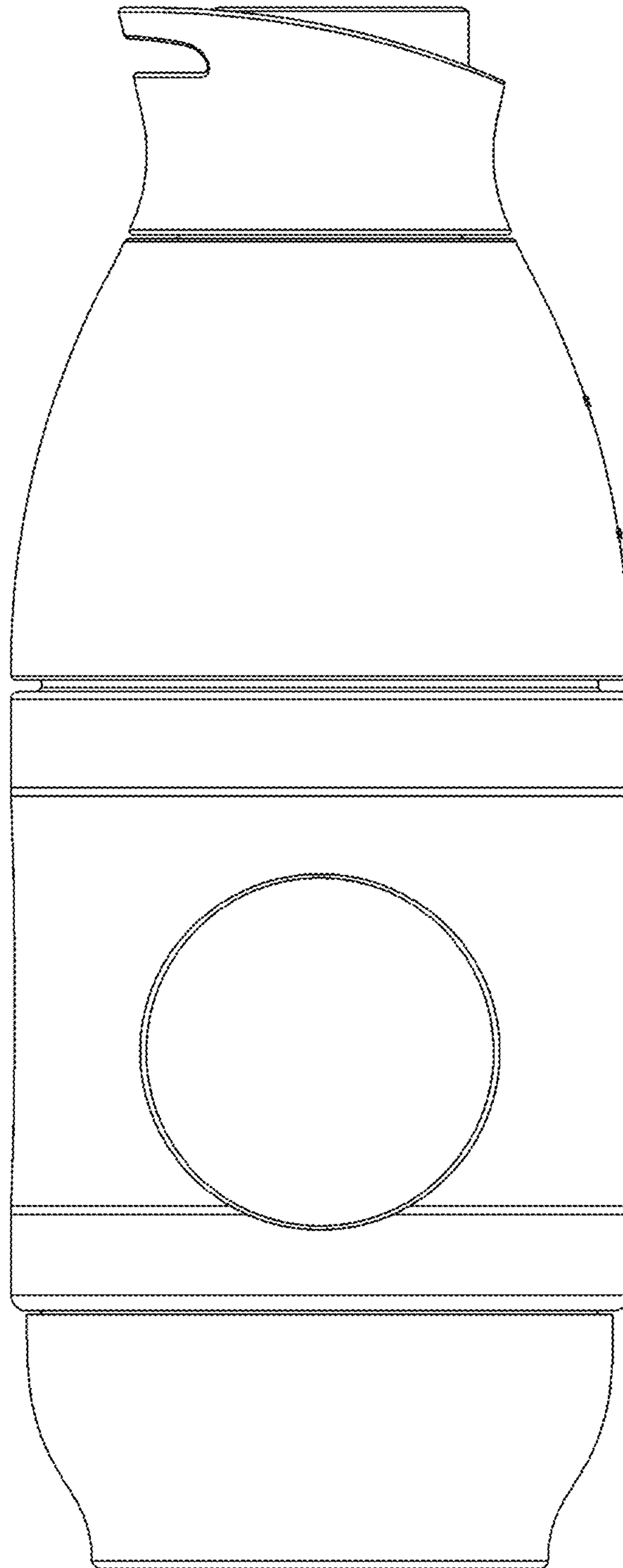


FIG. 2

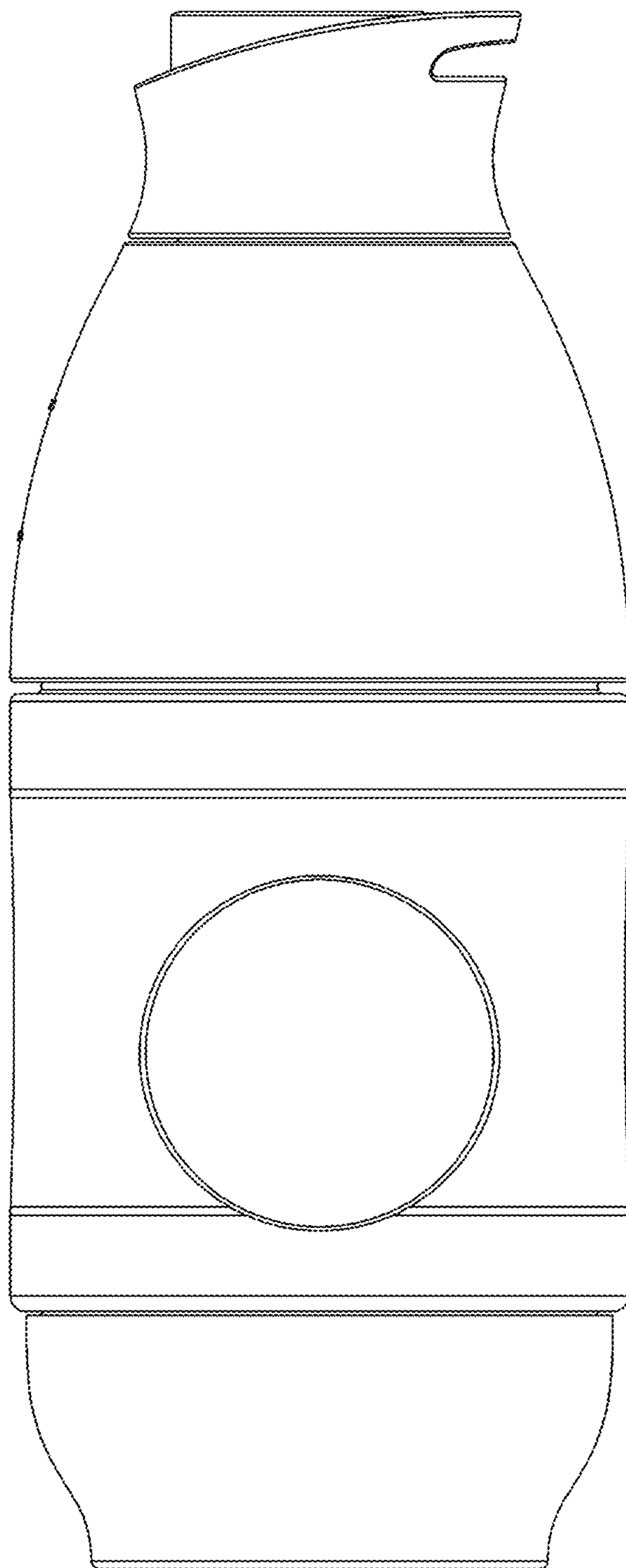


FIG. 3

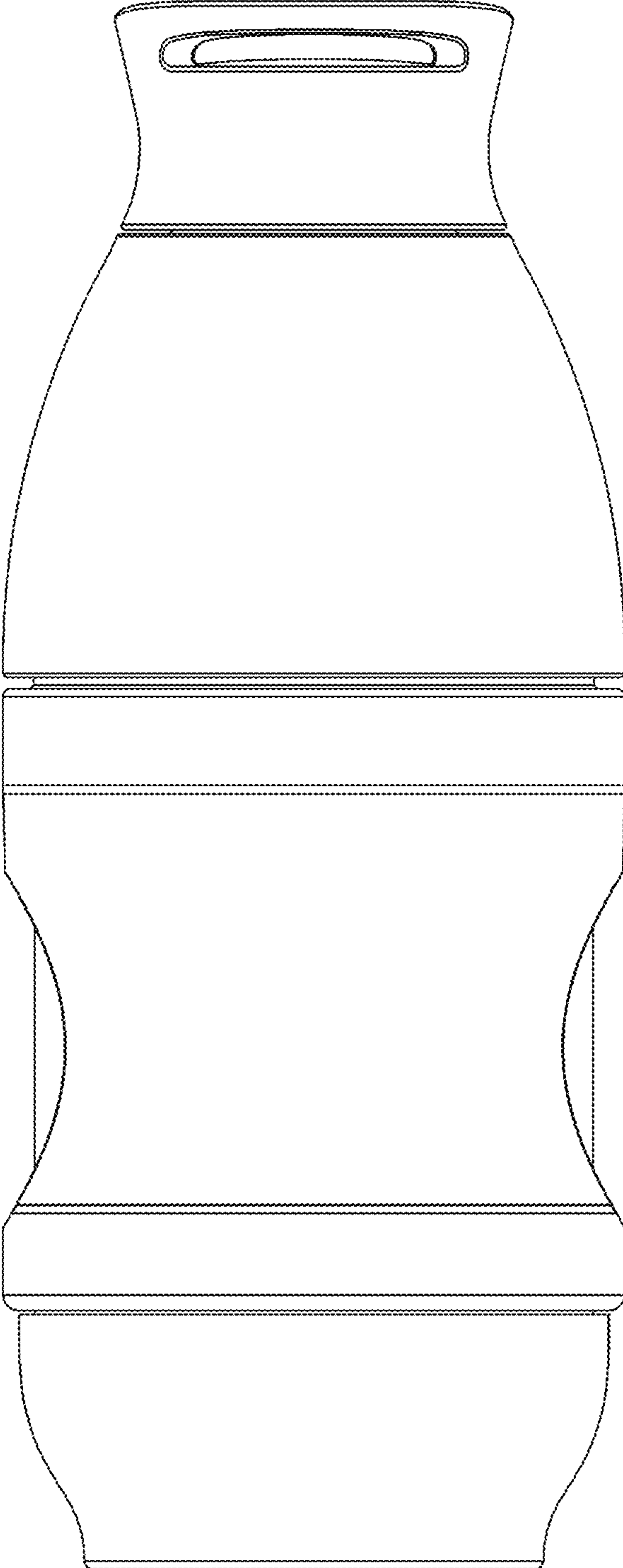


FIG. 4

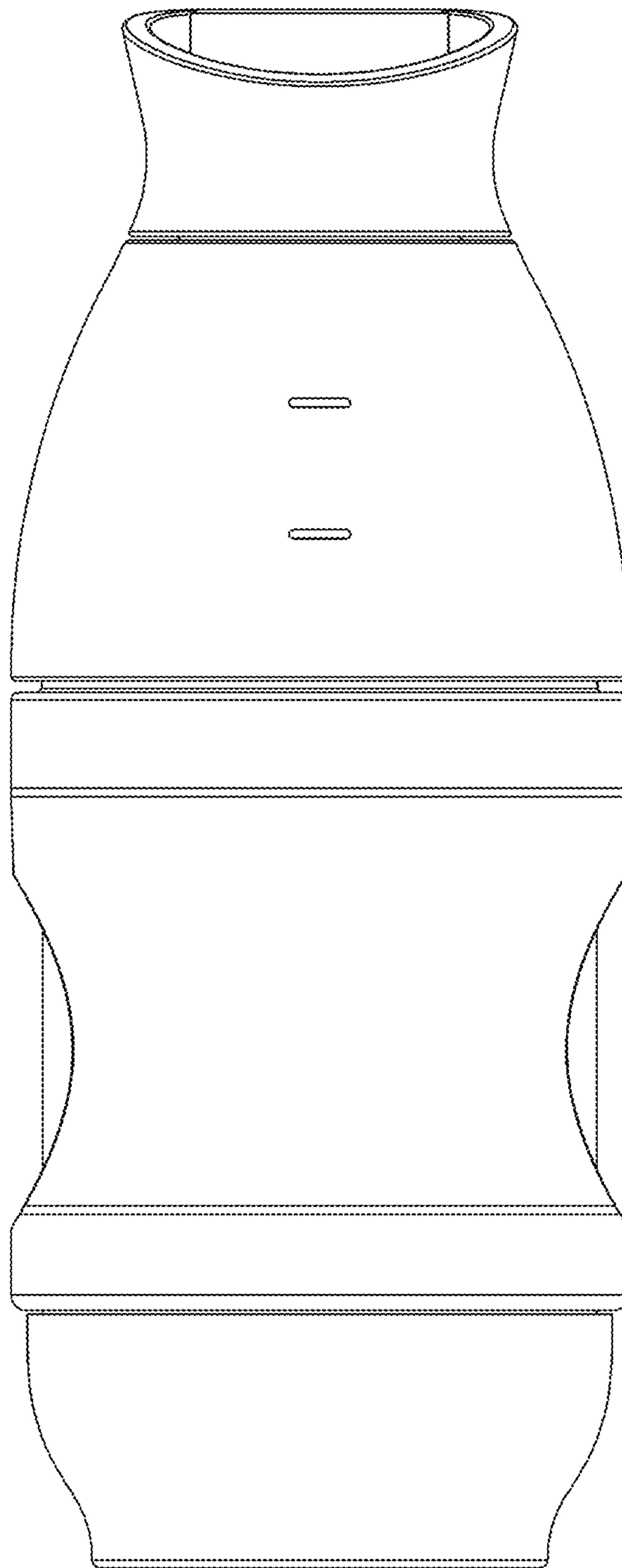


FIG. 5

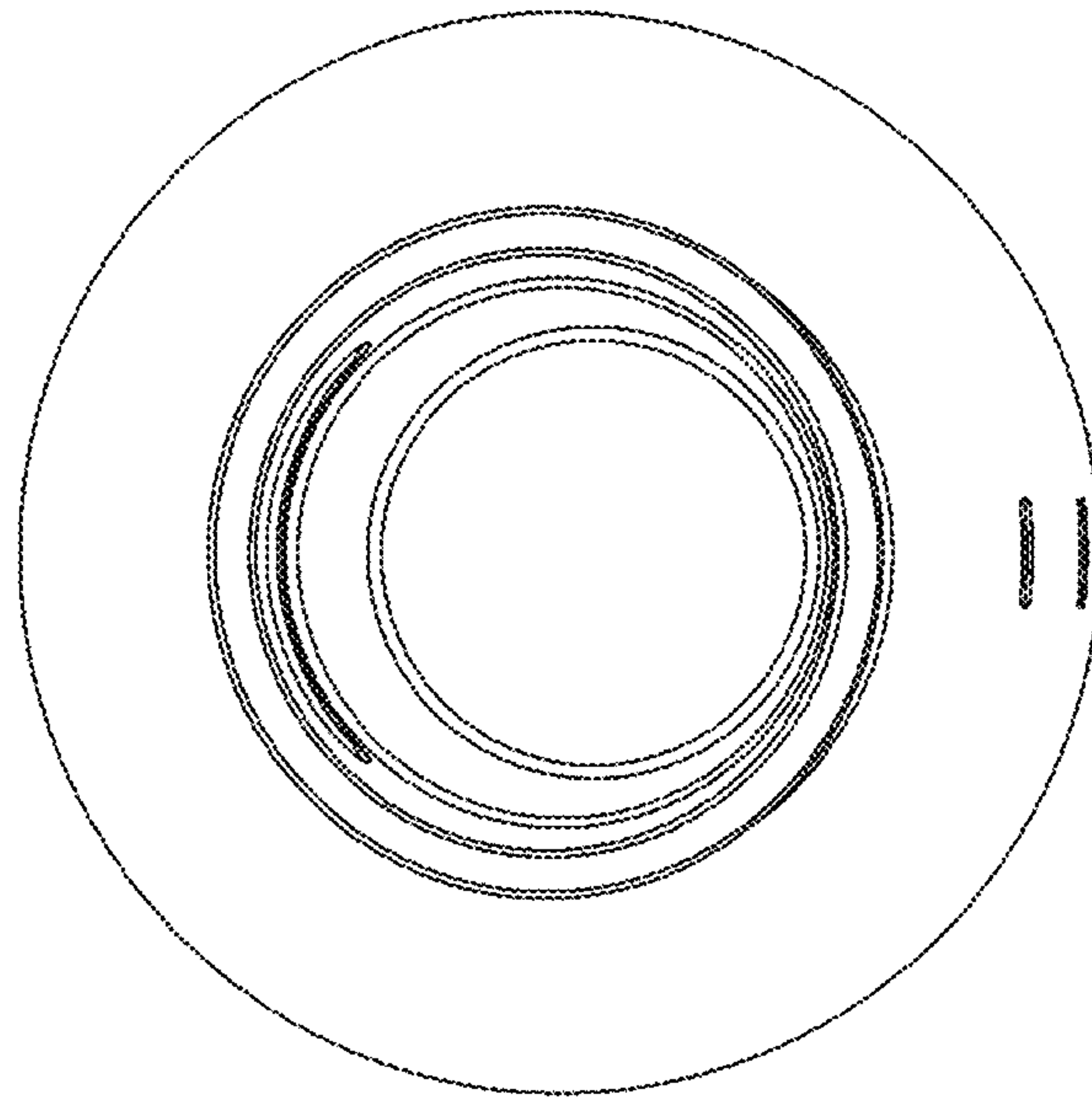


FIG. 6

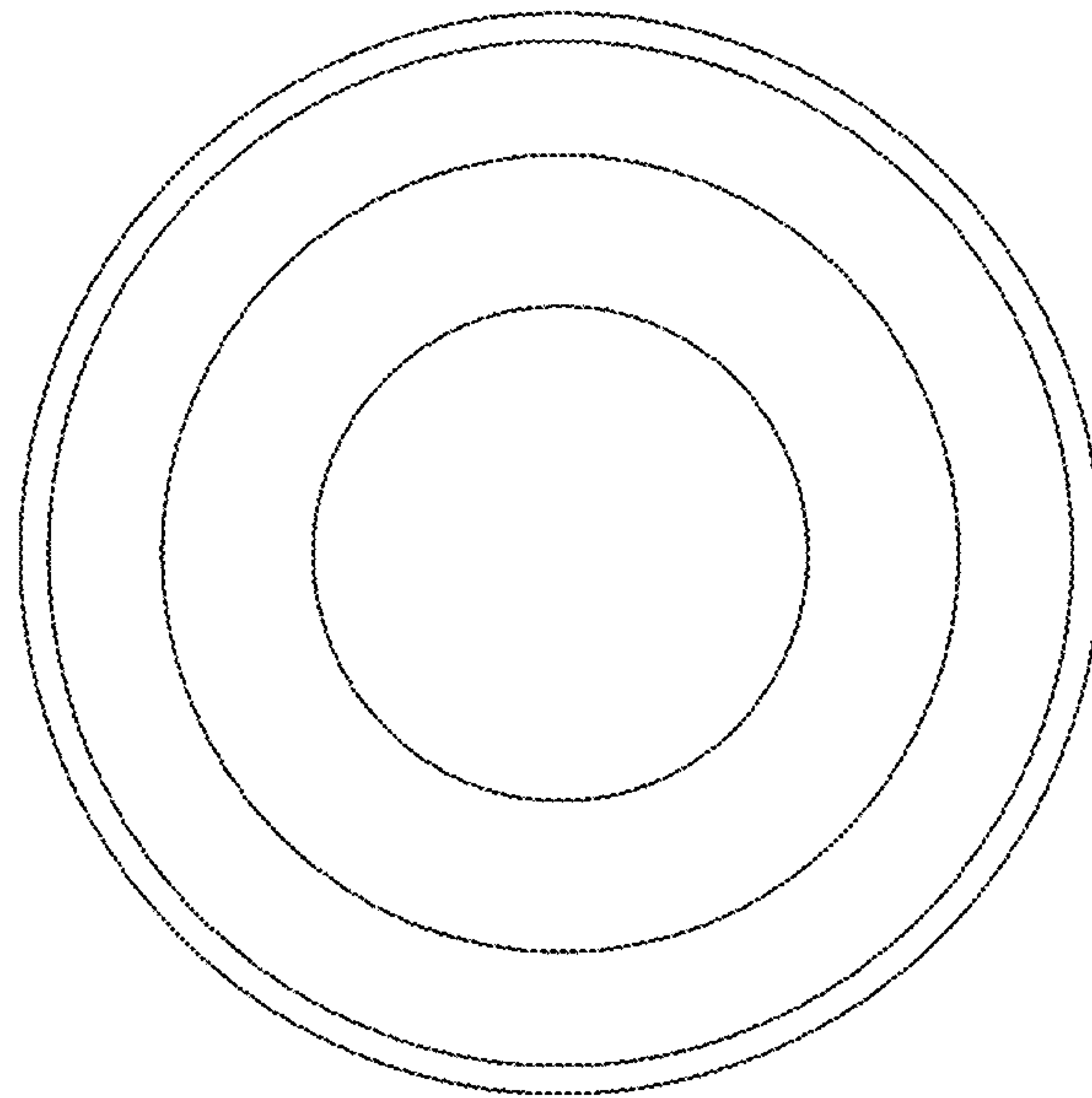


FIG. 7

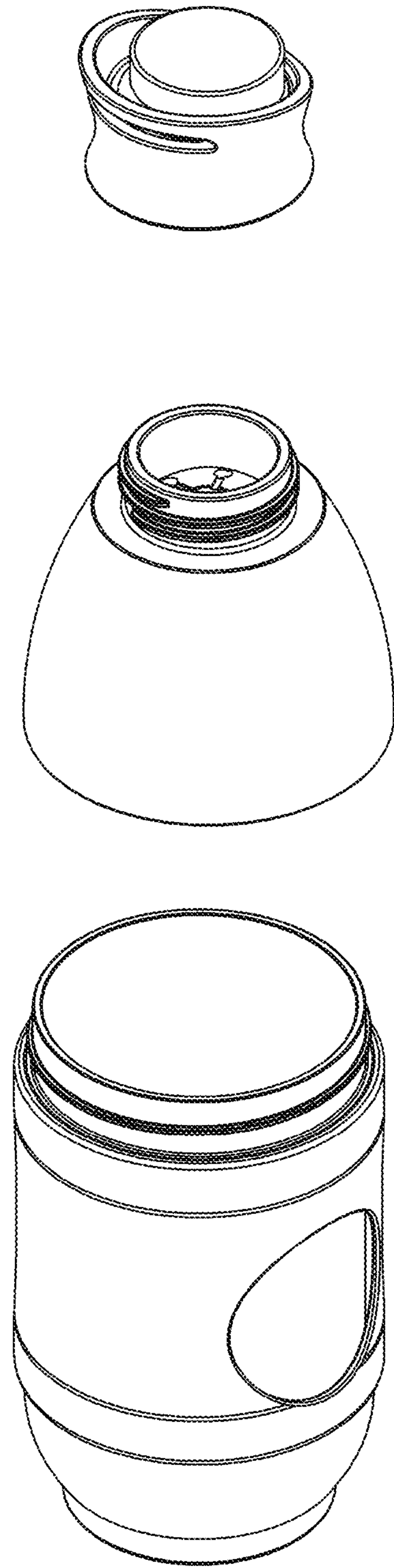


FIG. 8