



US00D892547S

(12) **United States Design Patent** (10) **Patent No.:** **US D892,547 S**  
**Hung** (45) **Date of Patent:** **\*\* Aug. 11, 2020**

(54) **BOTTLE LID**

(71) Applicant: **Ming-Hua Hung**, New Taipei (TW)

(72) Inventor: **Ming-Hua Hung**, New Taipei (TW)

(\*\*) Term: **15 Years**

(21) Appl. No.: **29/697,221**

(22) Filed: **Jul. 5, 2019**

(51) **LOC (12) Cl.** ..... **07-99**

(52) **U.S. Cl.**

USPC ..... **D7/396.2**

(58) **Field of Classification Search**

USPC ..... D7/509, 523, 528, 529, 537, 553.6,  
D7/554.1, 566, 600.1, 601, 602, 619.1,  
D7/624.1, 624.2, 300, 300.1, 305, 392.1,  
D7/396.1, 397, 398, 387, 323, 354-363,  
D7/391-396.2, 402, 409, 587, 396.6, 900;  
D9/434, 435, 438, 440, 447, 448, 449,  
D9/454

CPC ..... B65D 25/54; B65D 25/106; B65D 25/22;  
B65D 25/24; B65D 39/0005; B65D  
43/06; B65D 51/24; B65D 51/245; B65D  
2201/00; B65D 1/00; B65D 1/22; B65D  
1/26; B65D 1/34; B65D 1/40; B65D  
1/165; B65D 2251/0087; B65D  
2251/0018; B65D 2251/0028; B65D  
2251/009; B65D 81/18; B65D 81/38;  
B65D 21/0223; B65D 21/02; B65D  
21/265; A47F 3/145; A45D 34/02; A47J  
47/14; F01M 11/0458; A47G 19/00;  
A47G 19/2272; A47G 19/222; A47G  
19/226; A47G 19/2294; A47G 19/2205

See application file for complete search history.

(56) **References Cited**

**U.S. PATENT DOCUMENTS**

D425,362 S \* 5/2000 Meyers ..... D7/392  
D547,607 S \* 7/2007 Forsman ..... D7/396.2

D638,658 S \* 5/2011 Staton ..... D7/392  
D719,780 S \* 12/2014 Sullivan ..... D7/392.1  
D723,328 S \* 3/2015 Steel ..... D7/396.2  
D748,943 S \* 2/2016 Miller ..... D7/392.1  
D768,491 S \* 10/2016 Sorensen ..... D7/392.1  
D793,154 S \* 8/2017 Sorensen ..... D7/392.1  
D794,386 S \* 8/2017 Steel ..... D7/396.2  
D802,993 S \* 11/2017 Joseph ..... D7/392.1  
D808,711 S \* 1/2018 Joseph ..... D7/392.1  
D810,506 S \* 2/2018 Erickson ..... D7/396.2  
D811,810 S \* 3/2018 Joseph ..... D7/392.1  
D814,855 S \* 4/2018 Hammer ..... D7/392.1  
D818,317 S \* 5/2018 Fu ..... D7/510  
D818,774 S \* 5/2018 Stover ..... D7/510  
D820,635 S \* 6/2018 Hammer ..... D7/392.1  
D820,637 S \* 6/2018 Davis ..... D7/392.1  
D831,414 S \* 10/2018 Diener ..... D7/392  
D836,386 S \* 12/2018 Ayriss ..... B65D 47/0857  
D7/392  
D839,663 S \* 2/2019 Hu ..... D7/391  
D844,376 S \* 4/2019 Rosette ..... D7/392

(Continued)

*Primary Examiner* — Catherine S Posthauer  
(74) *Attorney, Agent, or Firm* — Lin & Associates  
Intellectual Property, Inc.

(57) **CLAIM**

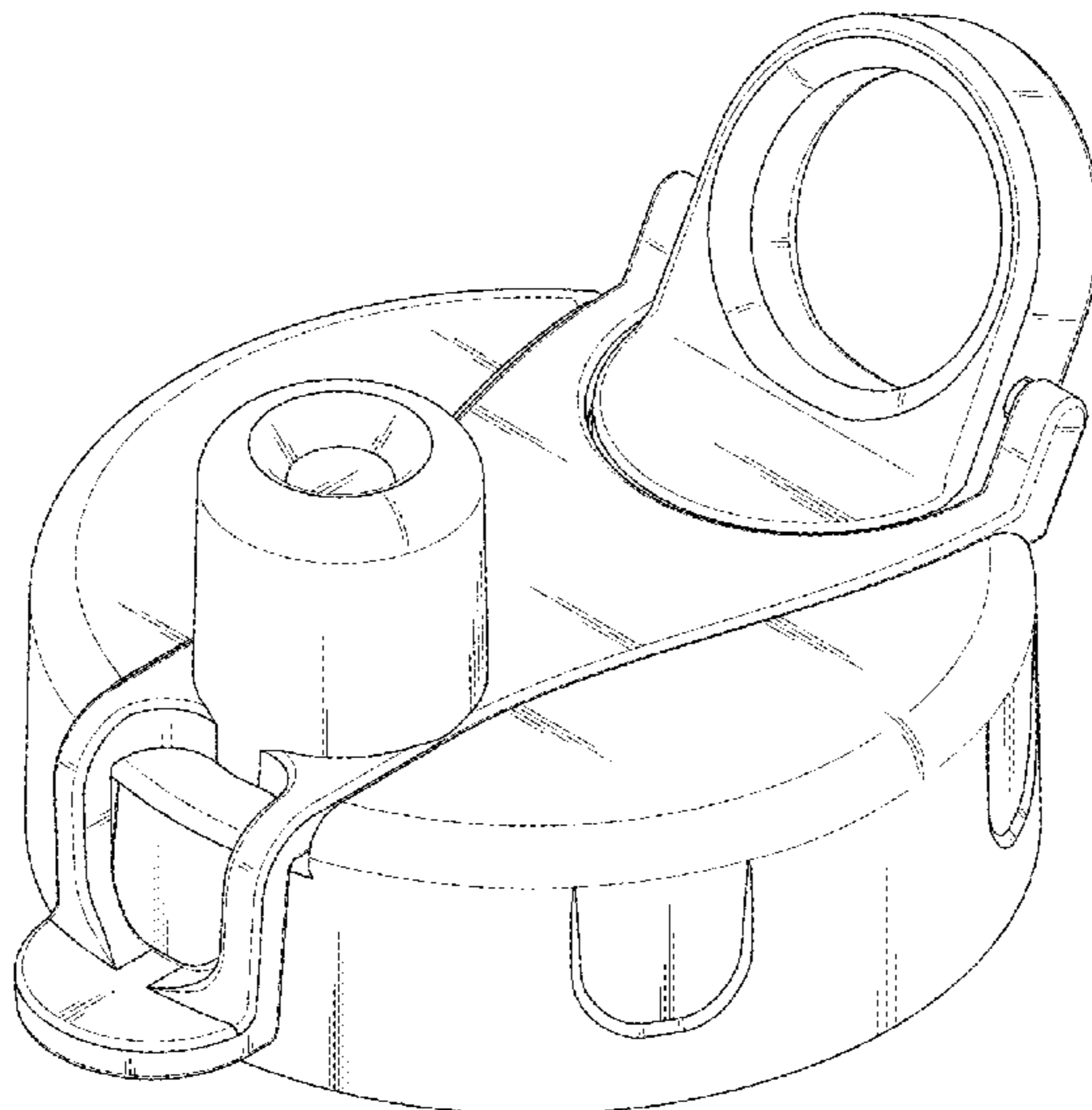
The ornamental design for a bottle lid, as shown and described.

**DESCRIPTION**

FIG. 1 is a perspective view of a bottle lid showing my new design;  
FIG. 2 is a front elevational view thereof;  
FIG. 3 is a rear elevational view thereof;  
FIG. 4 is a left elevational view thereof;  
FIG. 5 is a right elevational view thereof;  
FIG. 6 is a top view thereof; and,  
FIG. 7 is a bottom view thereof.

The broken lines are shown for the purpose of illustrating parts of the article that form no part of the claimed design.

**1 Claim, 7 Drawing Sheets**



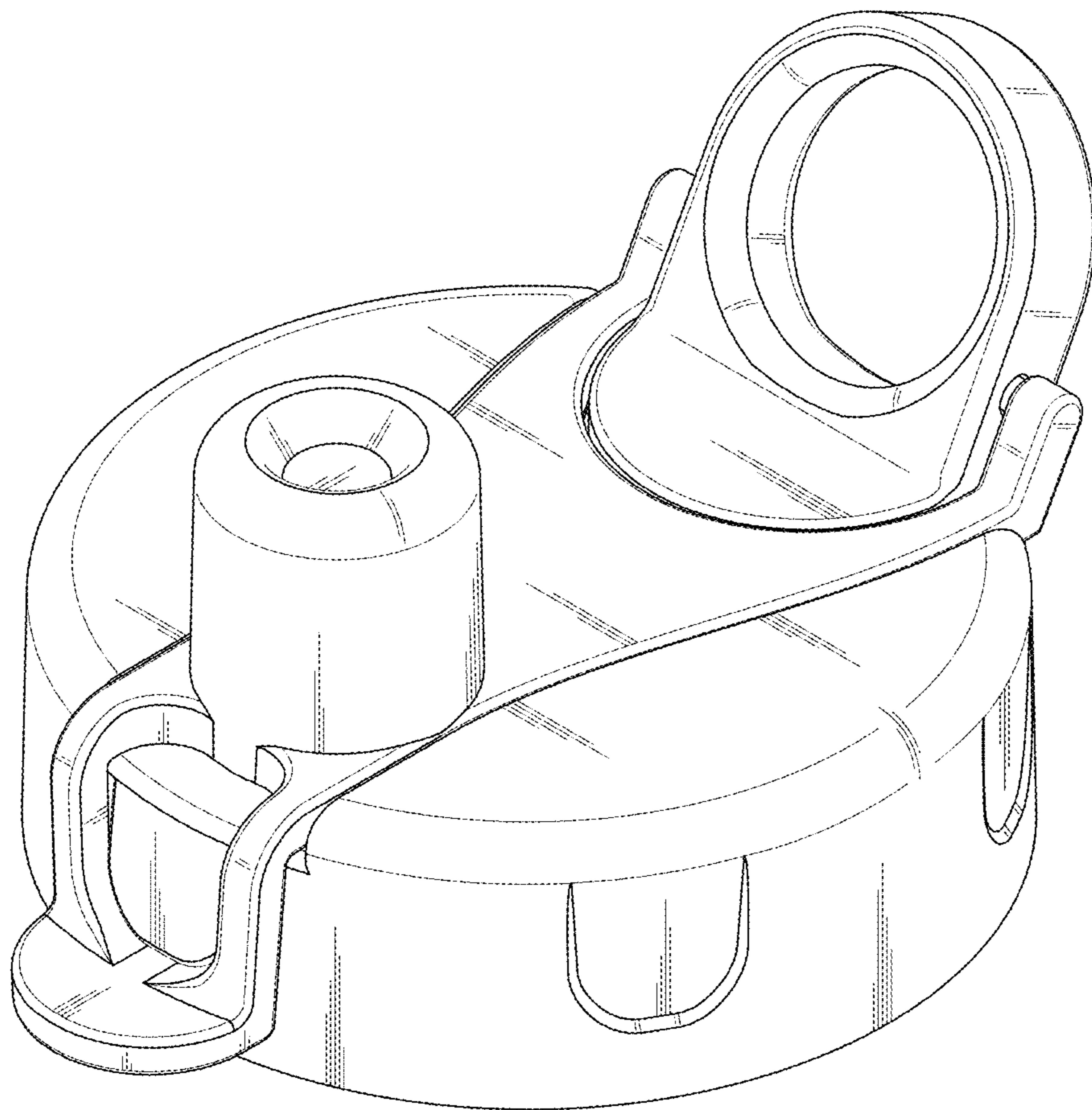
(56)

**References Cited**

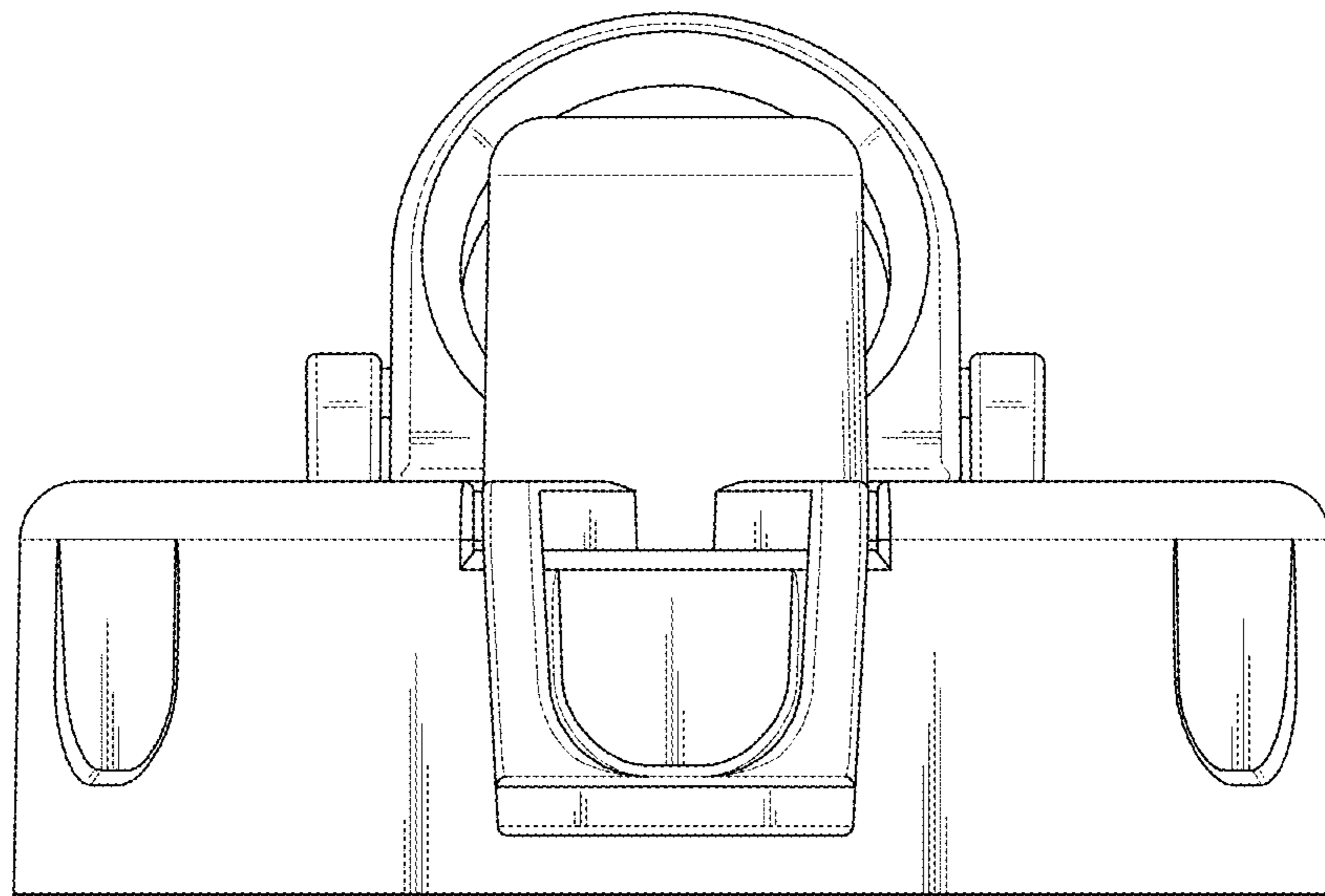
U.S. PATENT DOCUMENTS

D847,563	S	*	5/2019	Jacobsen	.....	D7/396.2
D853,784	S	*	7/2019	Wu	.....	D7/392.1
D853,791	S	*	7/2019	Gispert	.....	D7/510
D857,445	S	*	8/2019	Keung	.....	D7/392.1
10,414,549	B2	*	9/2019	Hirst	.....	A47G 21/18
D862,977	S	*	10/2019	Bohman	.....	D7/392
D863,878	S	*	10/2019	Cortadellas	.....	D7/396.2
D867,811	S	*	11/2019	Lane	.....	D7/392
D879,550	S	*	3/2020	Lane	.....	D7/392
D881,643	S	*	4/2020	Fleischhut	.....	D7/396.2
D882,335	S	*	4/2020	Lane	.....	D7/396.2
2015/0173539	A1	*	6/2015	Mason	.....	B65D 47/063 220/707

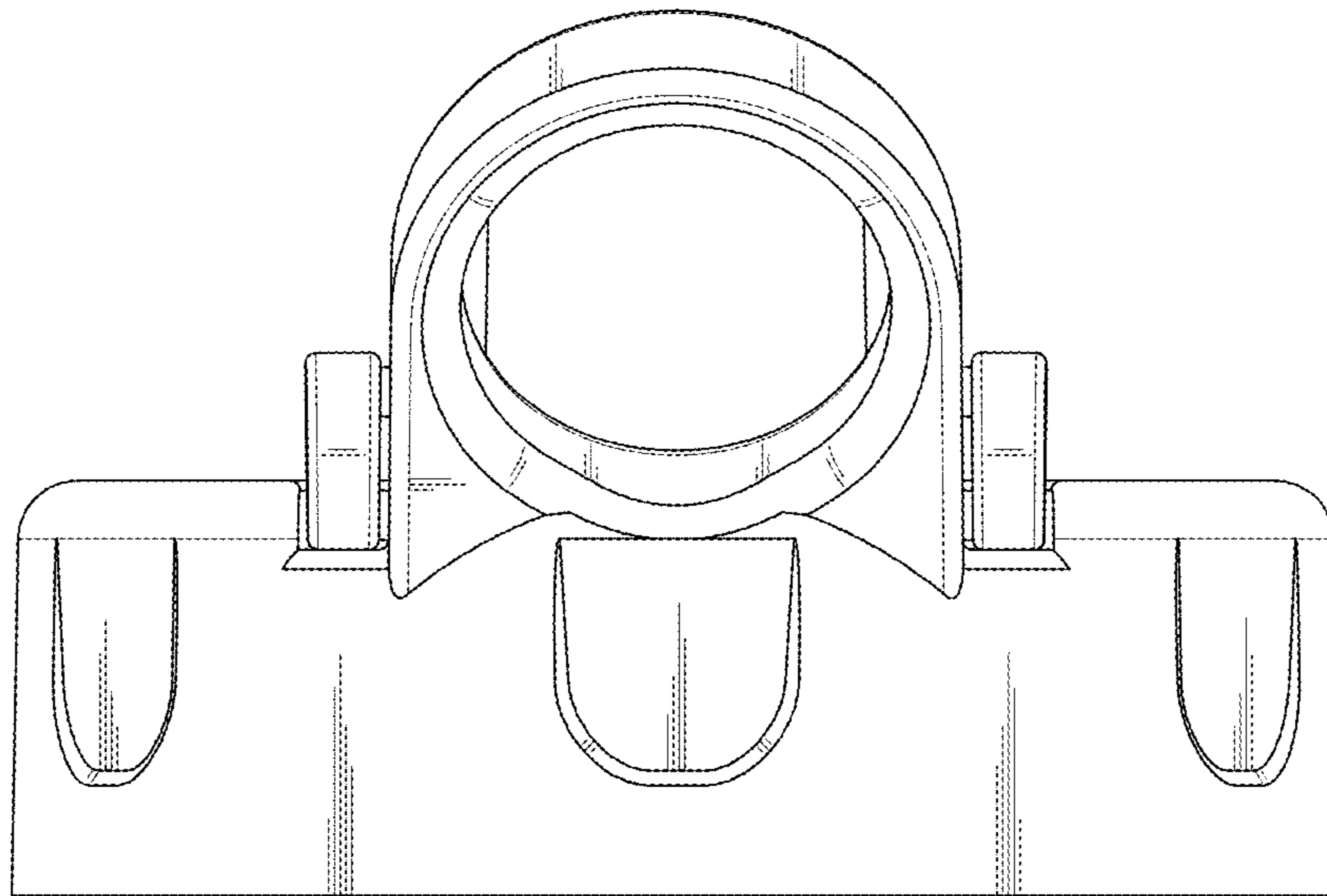
\* cited by examiner



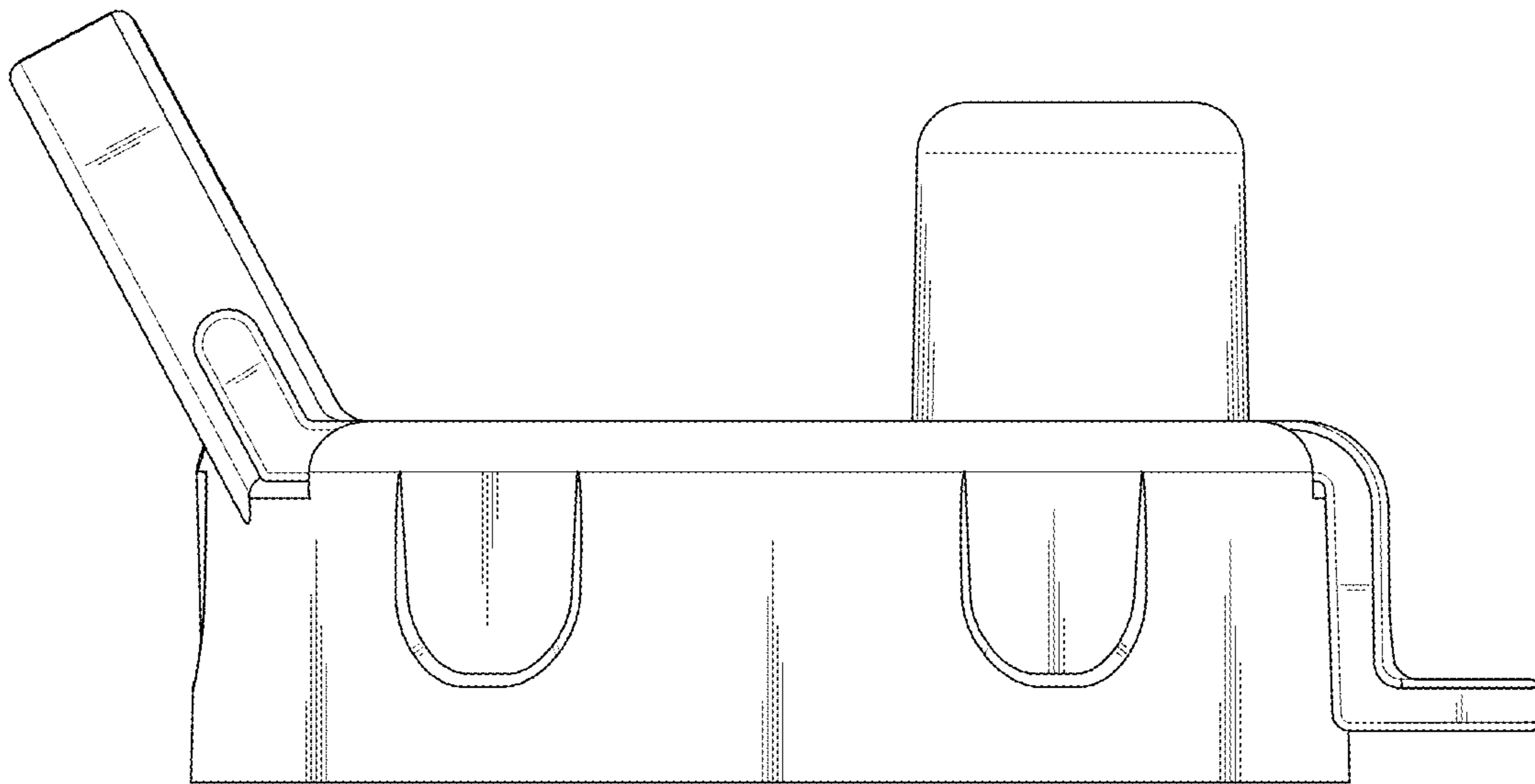
**FIG. 1**



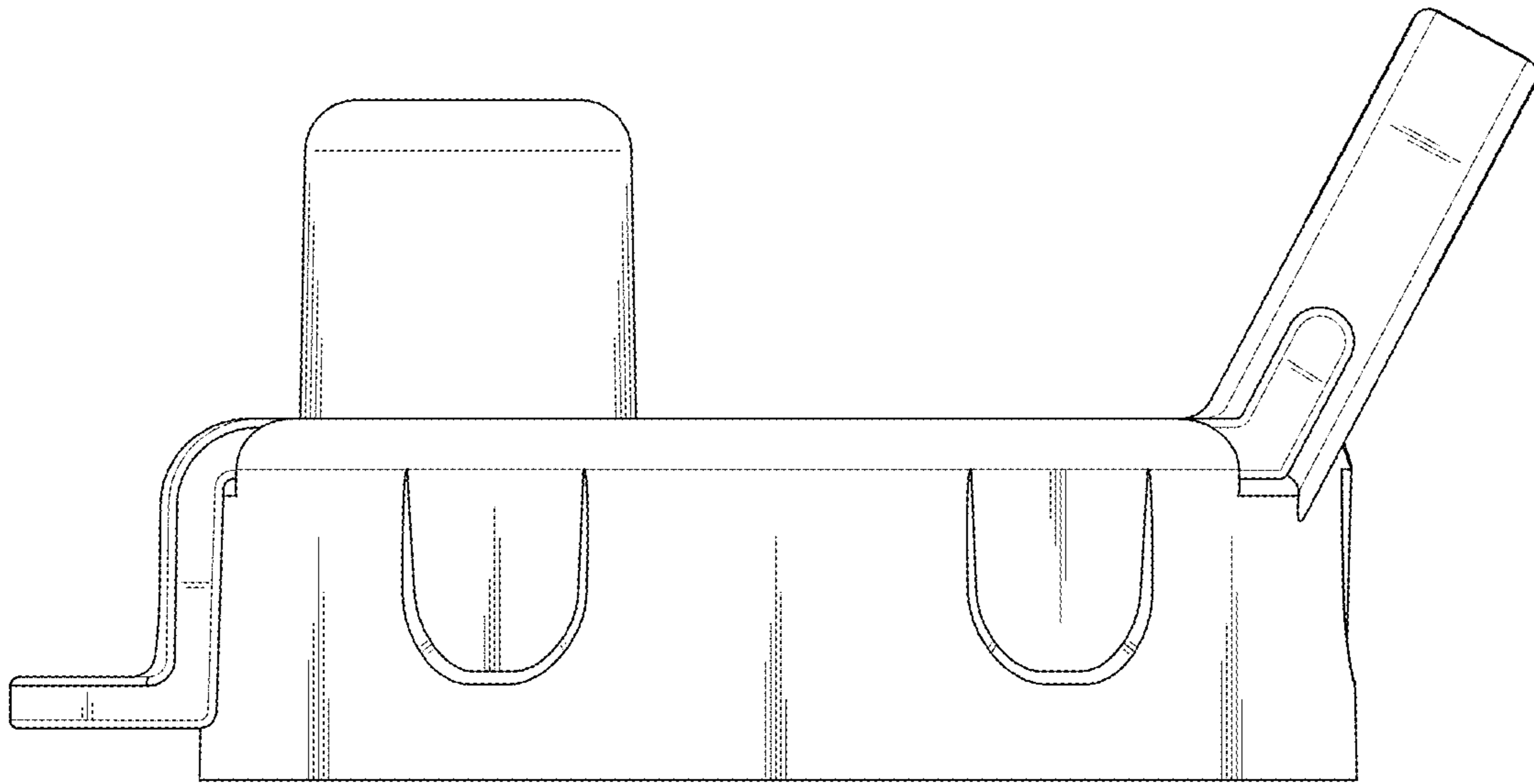
**FIG. 2**



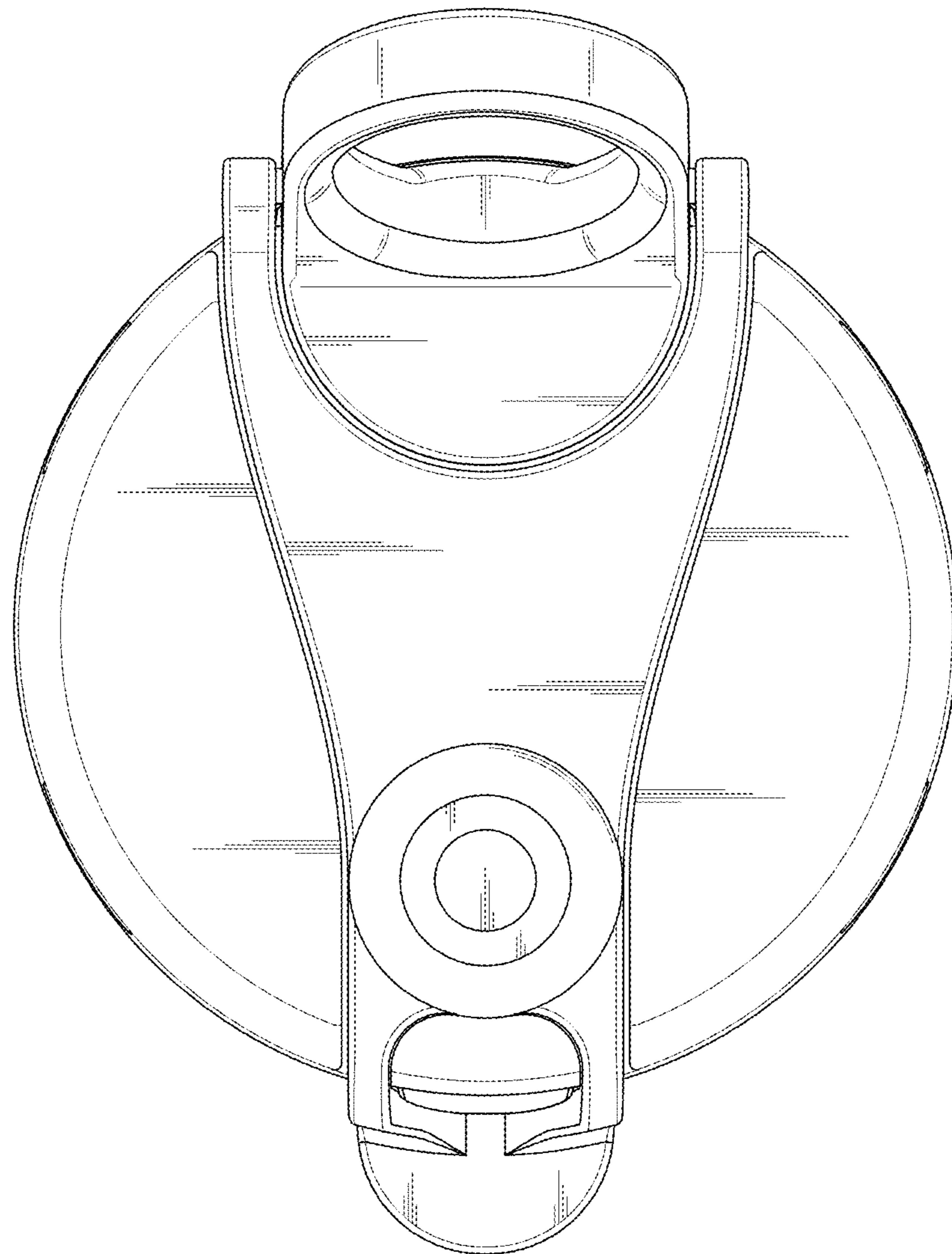
**FIG. 3**



**FIG. 4**

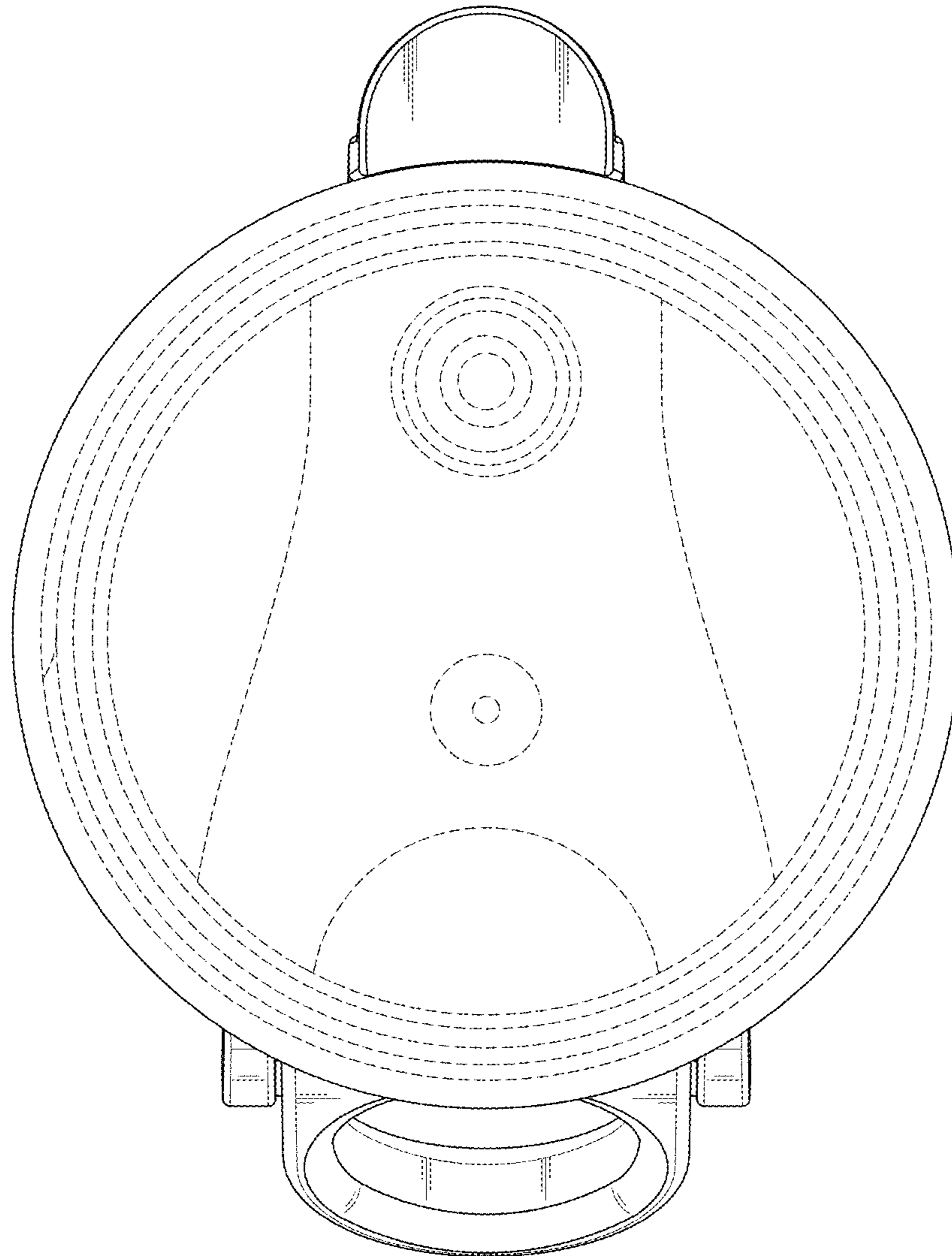


**FIG. 5**



**FIG. 6**





**FIG. 7**