



US00D892546S

(12) **United States Design Patent**
Dodane

(10) **Patent No.:** **US D892,546 S**

(45) **Date of Patent:** **** Aug. 11, 2020**

- (54) **PAN LIFTER**
- (71) Applicant: **CRISTEL**, Fesches-le-Chatel (FR)
- (72) Inventor: **Paul Dodane**, Fesches-le-Chatel (FR)
- (73) Assignee: **Cristel**, Fesches-le-Chatel (FR)
- (**) Term: **15 Years**
- (21) Appl. No.: **29/661,527**
- (22) Filed: **Aug. 28, 2018**
- (51) **LOC (12) Cl.** **07-99**
- (52) **U.S. Cl.**
USPC **D7/395**
- (58) **Field of Classification Search**
USPC D7/387, 393, 395, 401.2, 409, 649, 664;
D8/14, 18, 47, 83, 94, 107, 300, 303,
D8/307, 308, 315, 321
CPC A47J 45/06; A47J 45/061; A47J 45/062;
A47J 45/07; A47J 45/071; A47J 45/072;
A47J 45/10; B67B 7/00; B67B 7/02;
B67B 7/20
See application file for complete search history.

D575,984 S *	9/2008	Coppi	D7/395
7,481,330 B2 *	1/2009	Lorthioir	A47J 45/10 220/759
D615,810 S *	5/2010	Munari	D7/395
8,402,610 B2 *	3/2013	Boes	A47J 45/071 16/110.1
D686,451 S *	7/2013	Hasuike	D7/395
D720,572 S *	1/2015	Dodane	D7/395
D724,379 S *	3/2015	Munari	D7/395
D745,803 S *	12/2015	Dodane	
D784,756 S *	4/2017	Dingjian	D7/395
D814,858 S *	4/2018	Dodane	D7/393
D832,034 S *	10/2018	Munari	D7/395

* cited by examiner

Primary Examiner — Susan E Krakower
Assistant Examiner — Andrew Kerr
 (74) *Attorney, Agent, or Firm* — Craft Chu PLLC;
 Andrew W. Chu

(57) **CLAIM**

The ornamental design for a pan lifter, as shown and described.

DESCRIPTION

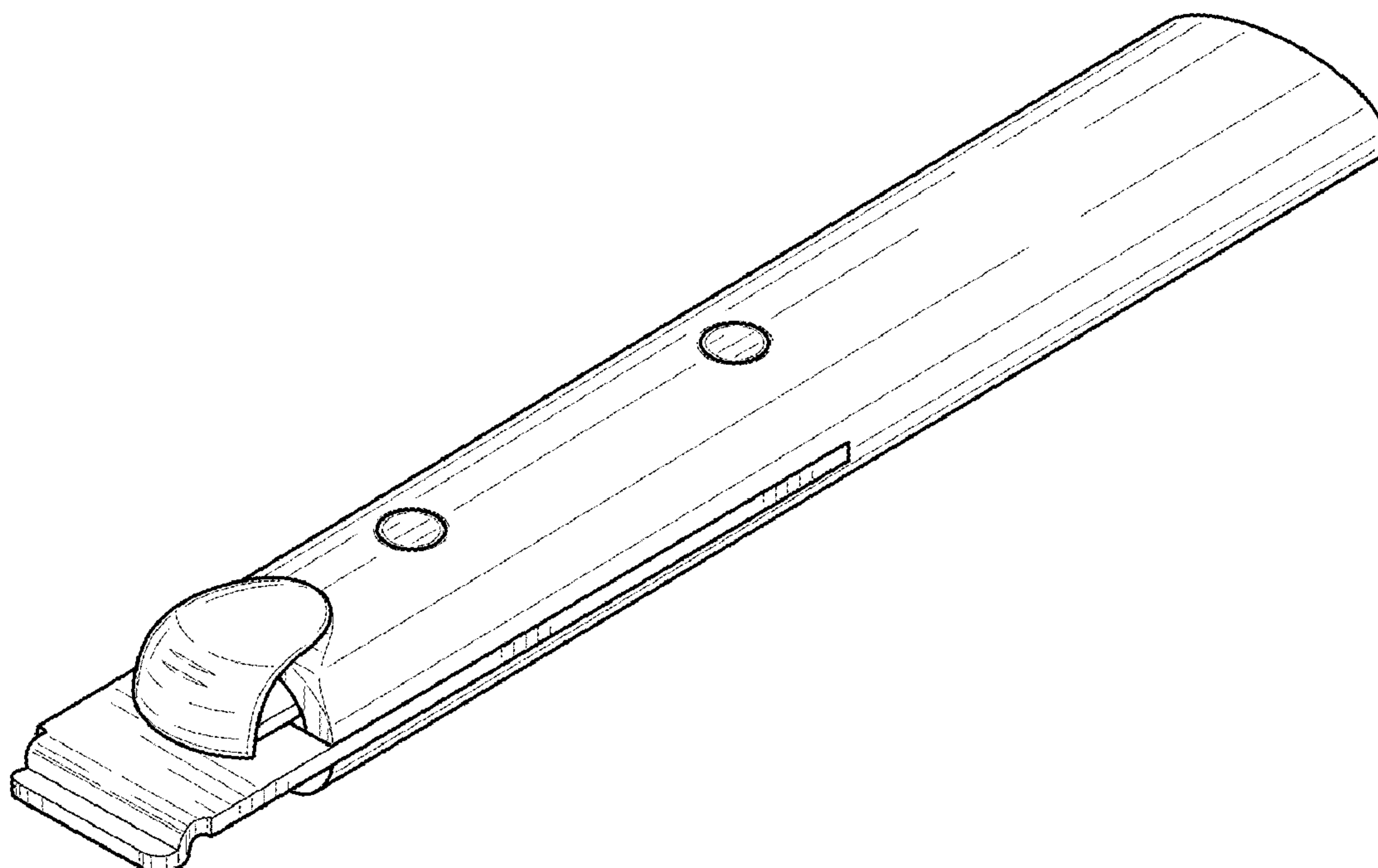
FIG. 1 is an upper perspective view of a pan lifter showing my design;
 FIG. 2 is a top plan view thereof;
 FIG. 3 is a bottom plan view thereof;
 FIG. 4 is a side elevation view thereof;
 FIG. 5 is an opposite side elevation view thereof;
 FIG. 6 is an end elevation view thereof;
 FIG. 7 is an opposite end elevation view thereof; and,
 FIG. 8 is another upper perspective view thereof.
 The pan lifter is a handheld device for use in the kitchen.

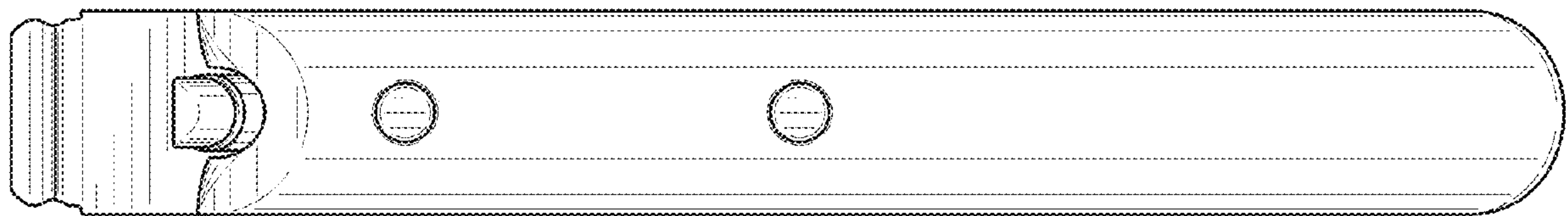
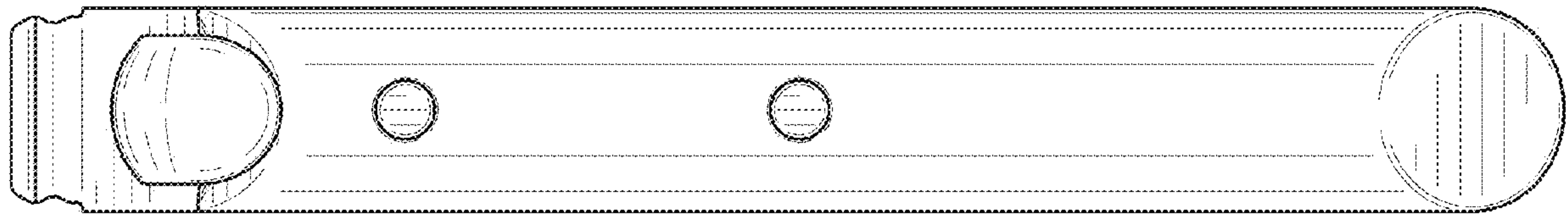
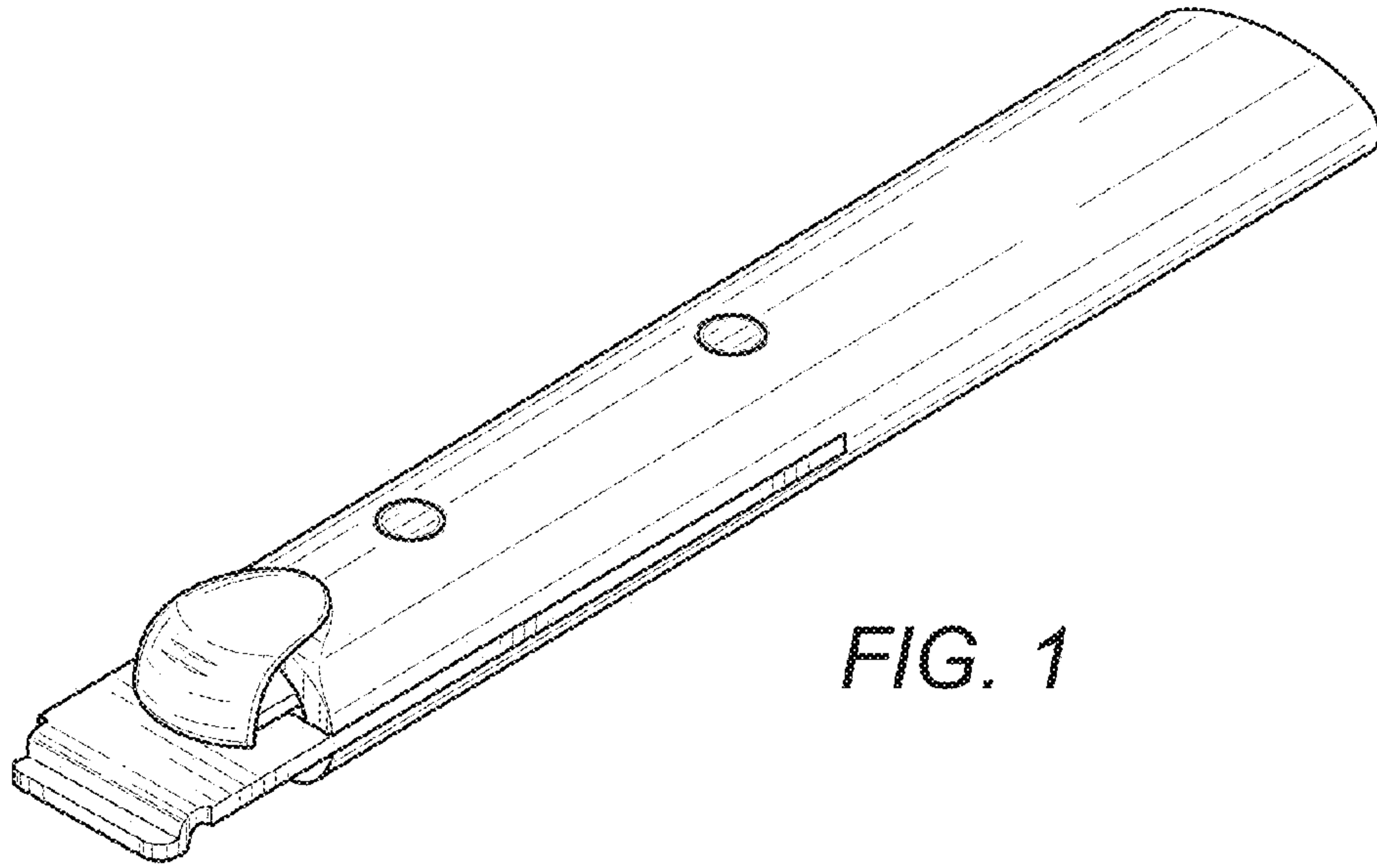
1 Claim, 2 Drawing Sheets

(56) **References Cited**

U.S. PATENT DOCUMENTS

D384,243 S *	9/1997	Nicollet	D7/395
D394,186 S *	5/1998	Dodane	D7/395
D477,181 S *	7/2003	Dodane	D7/395
D495,937 S *	9/2004	Kelleghan	D3/211
D498,117 S *	11/2004	Lorthioir	D7/395
D512,602 S	12/2005	Spagnolo	
D520,312 S *	5/2006	Roma	D32/42
D529,334 S	10/2006	Spagnolo	
D542,596 S	5/2007	Spagnolo	





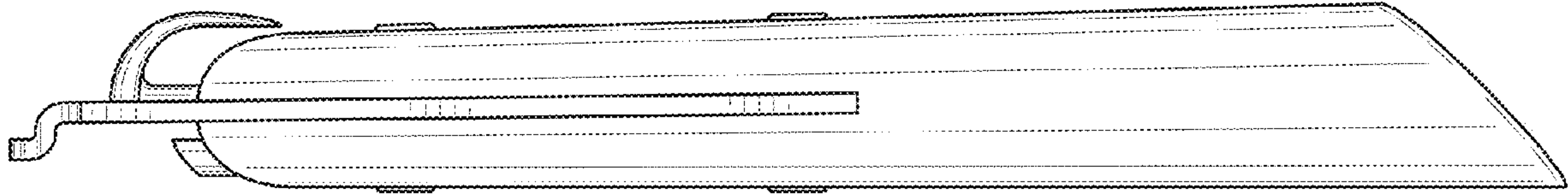


FIG. 4

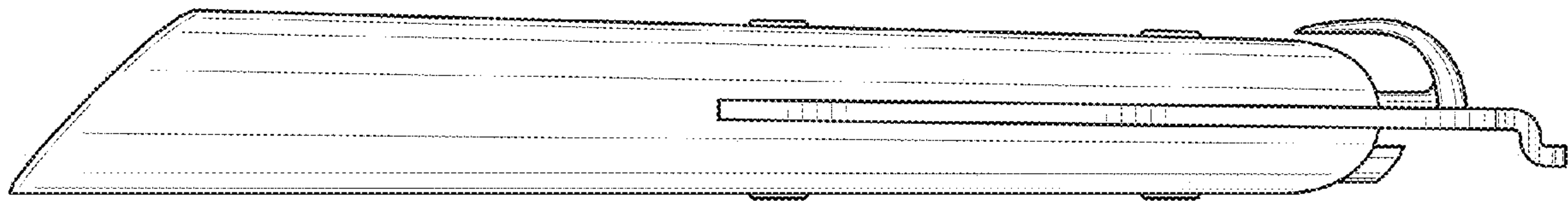


FIG. 5

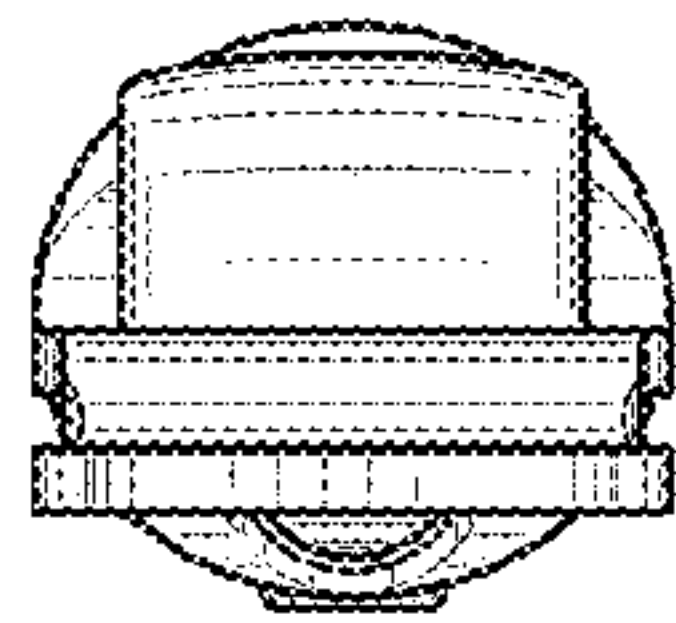


FIG. 6

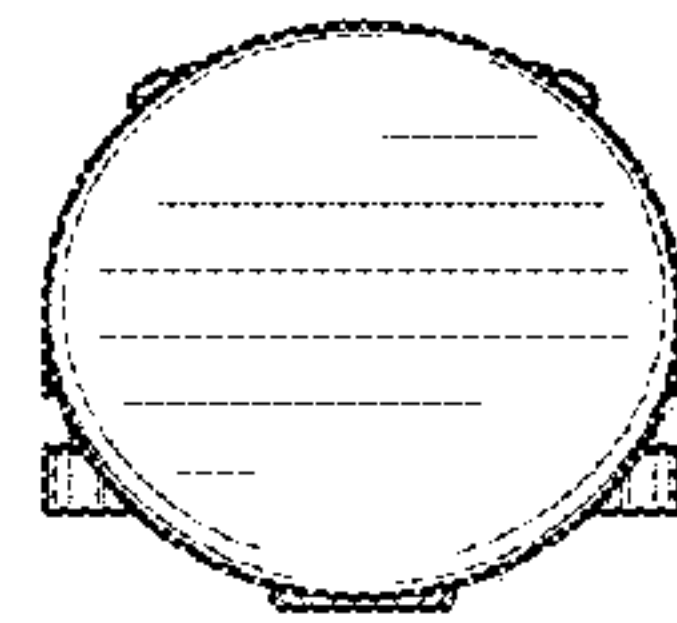


FIG. 7

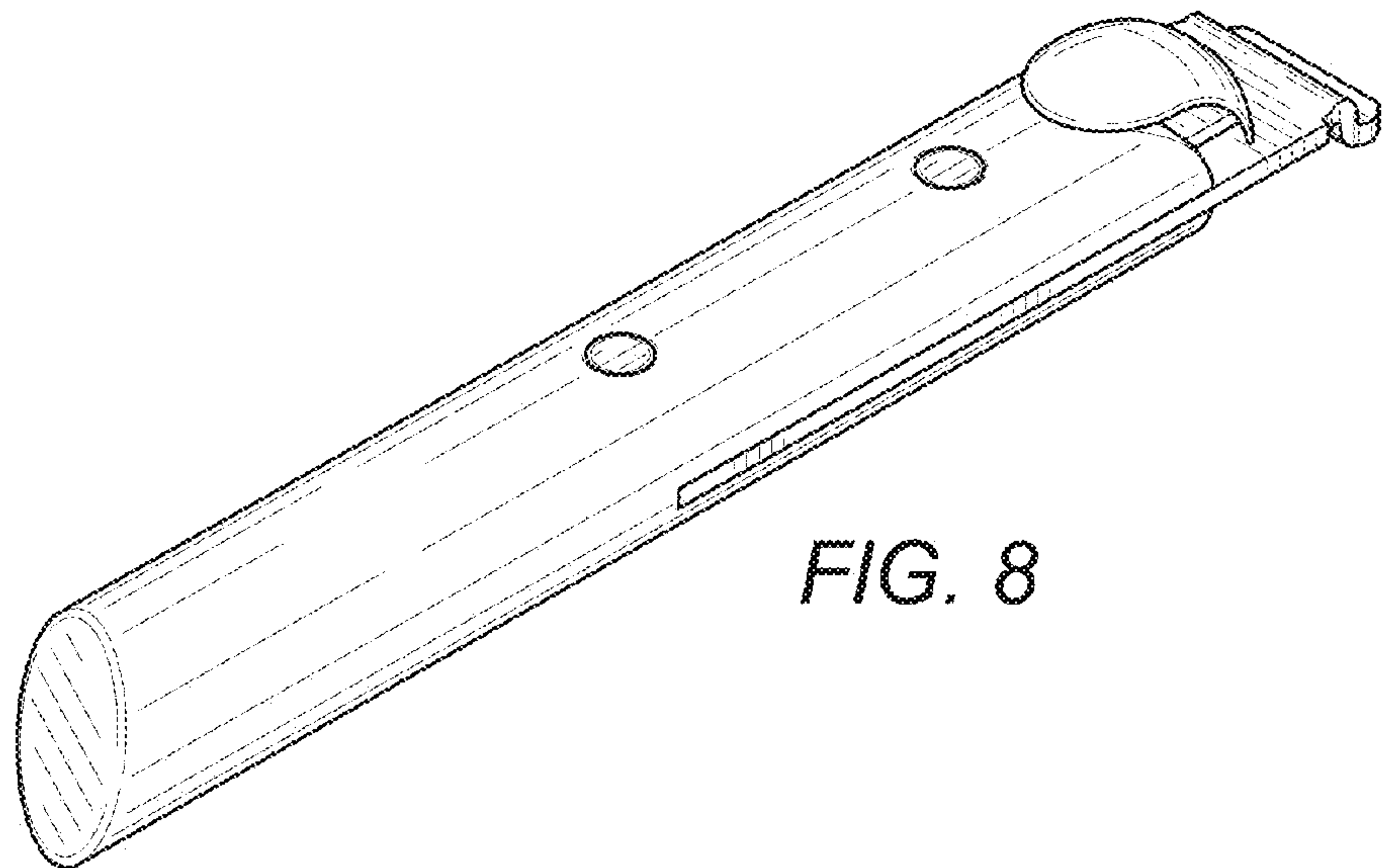


FIG. 8