



US00D892543S

(12) **United States Design Patent**
Benishai

(10) **Patent No.:** **US D892,543 S**

(45) **Date of Patent:** **** Aug. 11, 2020**

(54) **LID FOR WATER BOTTLE**

(71) Applicant: **Alon Benishai**, Brooklyn, NY (US)

(72) Inventor: **Alon Benishai**, Brooklyn, NY (US)

(**) Term: **15 Years**

(21) Appl. No.: **29/716,976**

(22) Filed: **Dec. 13, 2019**

Related U.S. Application Data

(62) Division of application No. 29/674,877, filed on Dec. 27, 2018.

(51) **LOC (12) Cl.** **07-01**

(52) **U.S. Cl.**
USPC **D7/392.1; D7/396.2**

(58) **Field of Classification Search**
USPC D7/507, 509, 510, 511, 529, 530, 531,
D7/532, 523, 534, 536, 608, 392.1, 396.2,
D7/624.1, 624.2; D9/500, 501, 502, 503,
D9/504, 440, 449, 435, 436; D3/202, 12;
D8/107, 300

CPC A47G 19/22; A47G 19/2288; A47G
19/2205; A47G 19/2222; A47G 19/2233;
A47G 19/2266; B65D 47/066

See application file for complete search history.

(56) **References Cited**

U.S. PATENT DOCUMENTS

D242,017 S	10/1976	Reynolds	
D256,993 S	9/1980	Strand	
D287,191 S	* 12/1986	Cain	D3/12
D287,543 S	* 1/1987	Cain	D3/12
D289,260 S	4/1987	Weckman	
D290,546 S	* 6/1987	Cain	D3/12
D321,428 S	* 11/1991	Cain	D3/12
D321,780 S	* 11/1991	Cain	D3/12
D431,969 S	10/2000	Hurlbut	

D544,352 S	6/2007	Dittmer et al.
D545,678 S	7/2007	Dittmer et al.
D565,952 S	4/2008	Mettler et al.
D619,894 S	7/2010	Ashiwa et al.
D714,644 S	10/2014	Wagner et al.
D716,661 S	11/2014	Dubitsky et al.
D732,893 S	6/2015	Bronwasser et al.
D753,442 S	4/2016	Weernink
D758,864 S	6/2016	Eisen
D808,723 S	1/2018	Guthrie
D814,241 S	4/2018	Nickley et al.
D820,043 S	6/2018	Leslie-Shattenkirk
D825,269 S	8/2018	Fu
D829,053 S	9/2018	Leslie-Shattenkirk
D842,039 S	3/2019	Dongguan
D859,921 S	9/2019	Schmidt et al.

* cited by examiner

Primary Examiner — Jae Liang

(74) *Attorney, Agent, or Firm* — Wood Herron & Evans LLP

(57) **CLAIM**

The ornamental design for a lid for water bottle, as shown and described.

DESCRIPTION

FIG. 1 is an isometric view of a lid for water bottle according to the present invention.

FIG. 2 is a front elevation view thereof.

FIG. 3 is a right-side view thereof.

FIG. 4 is a rear elevation view thereof.

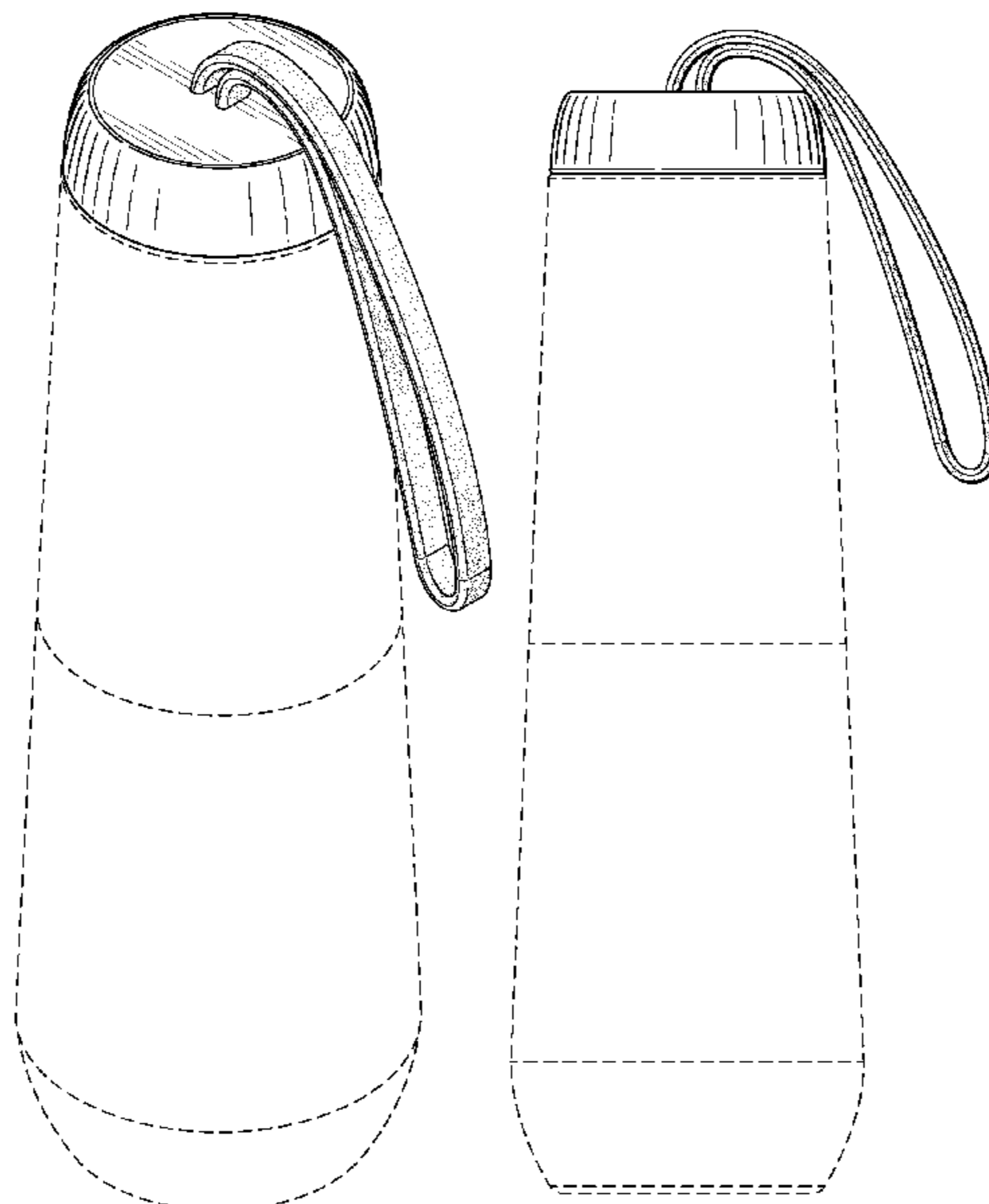
FIG. 5 is a left-side elevation view thereof.

FIG. 6 is a top plan view thereof; and,

FIG. 7 is a bottom plan view thereof.

The broken dash lines in the figures are for illustrative purposes only and represent non-claimed environmental subject matter. Neither the portions of the invention shown in broken dash line nor the broken dash lines themselves form any part of the claimed invention.

1 Claim, 4 Drawing Sheets



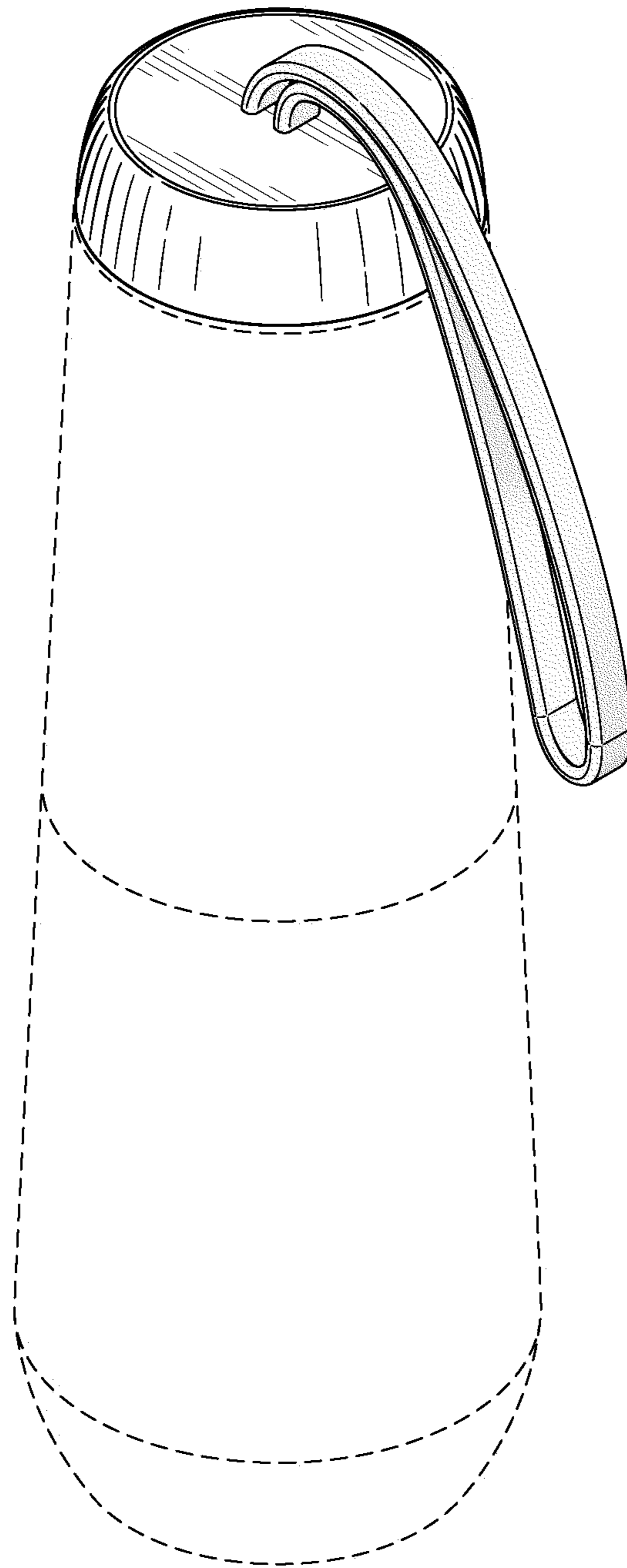


FIG. 1

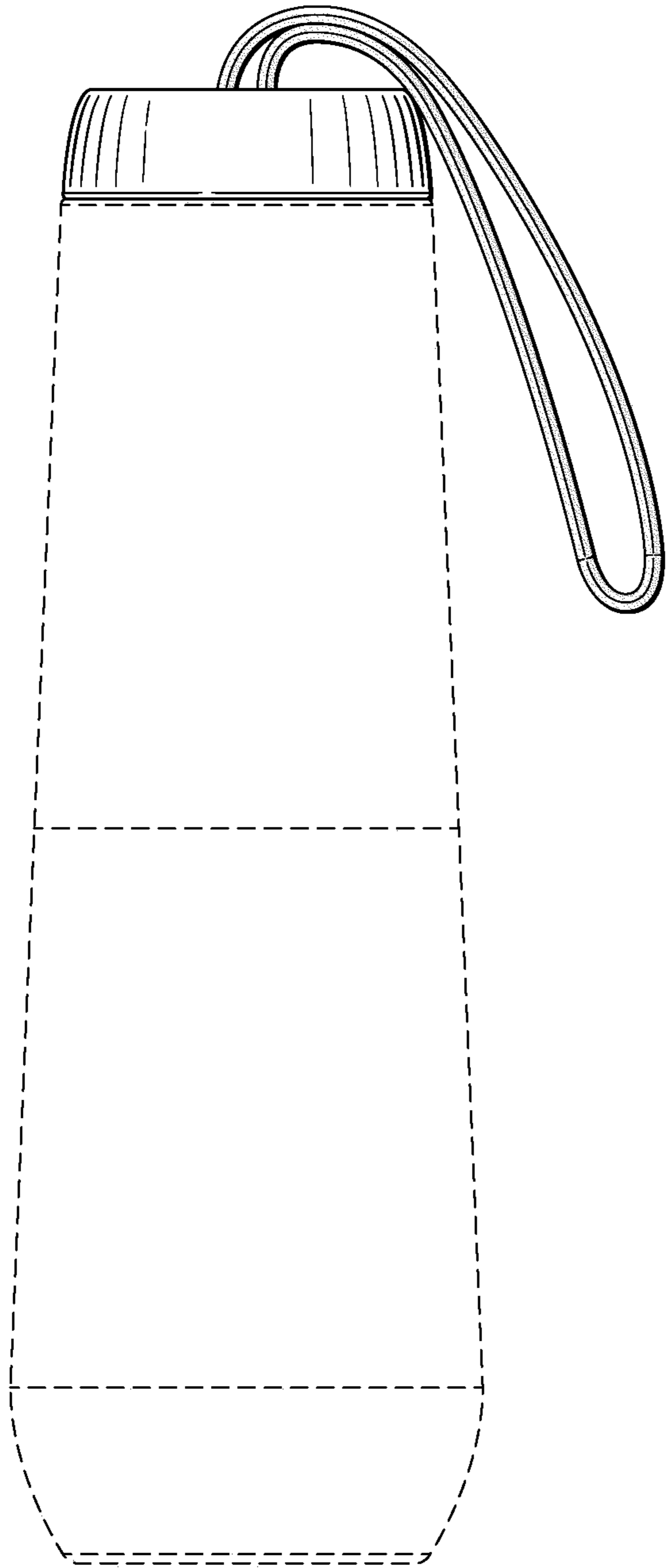


FIG. 2

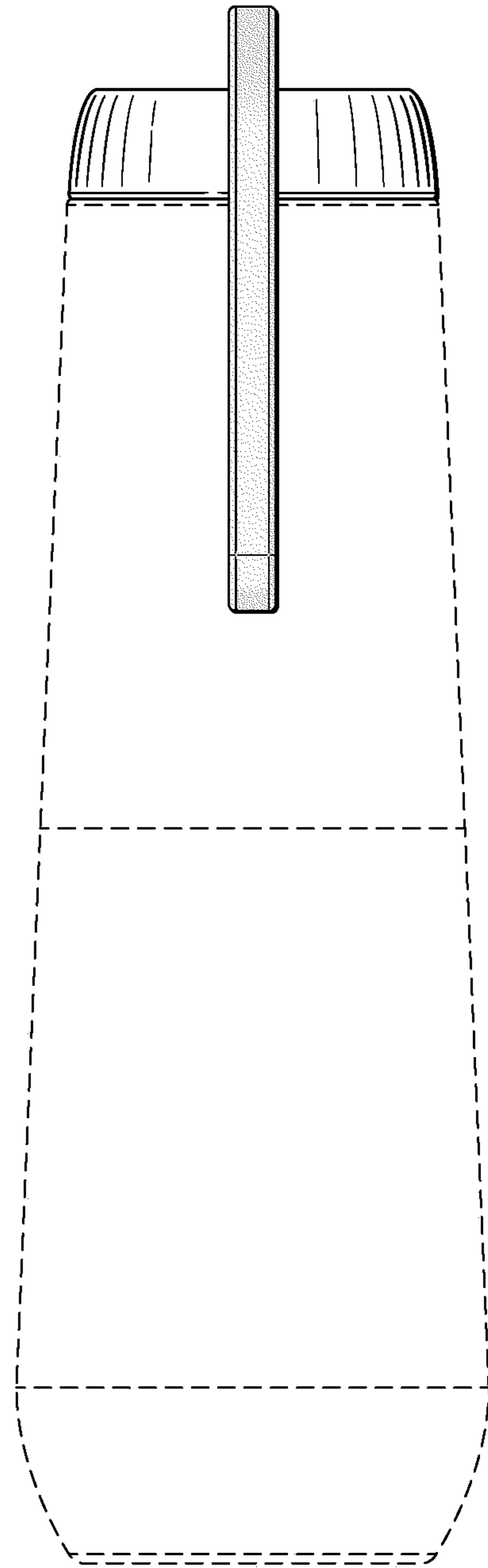


FIG. 3

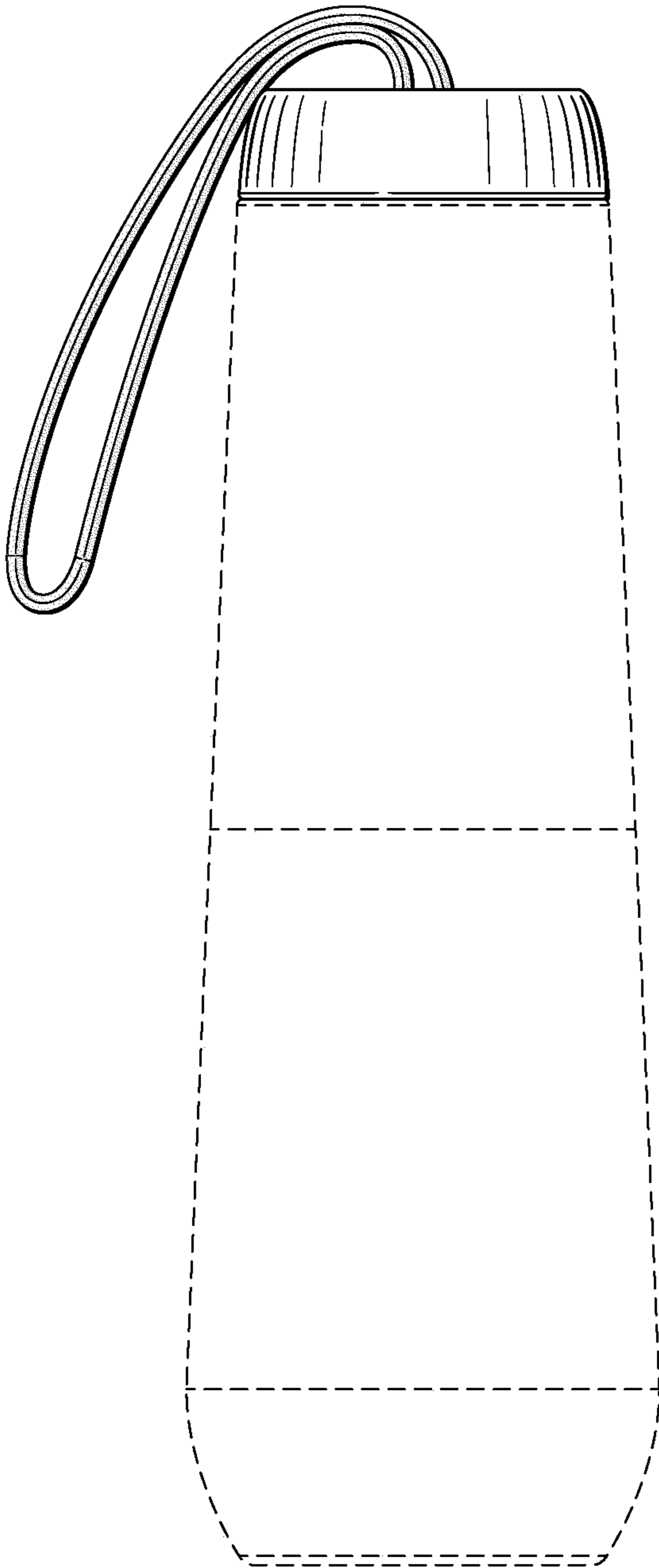


FIG. 4

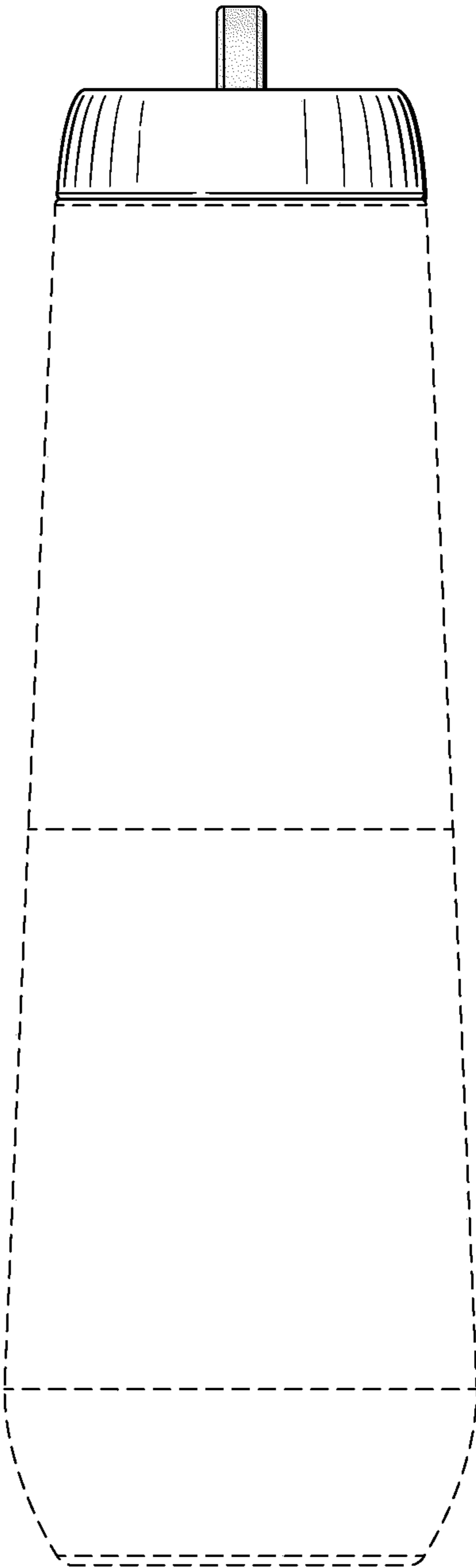


FIG. 5

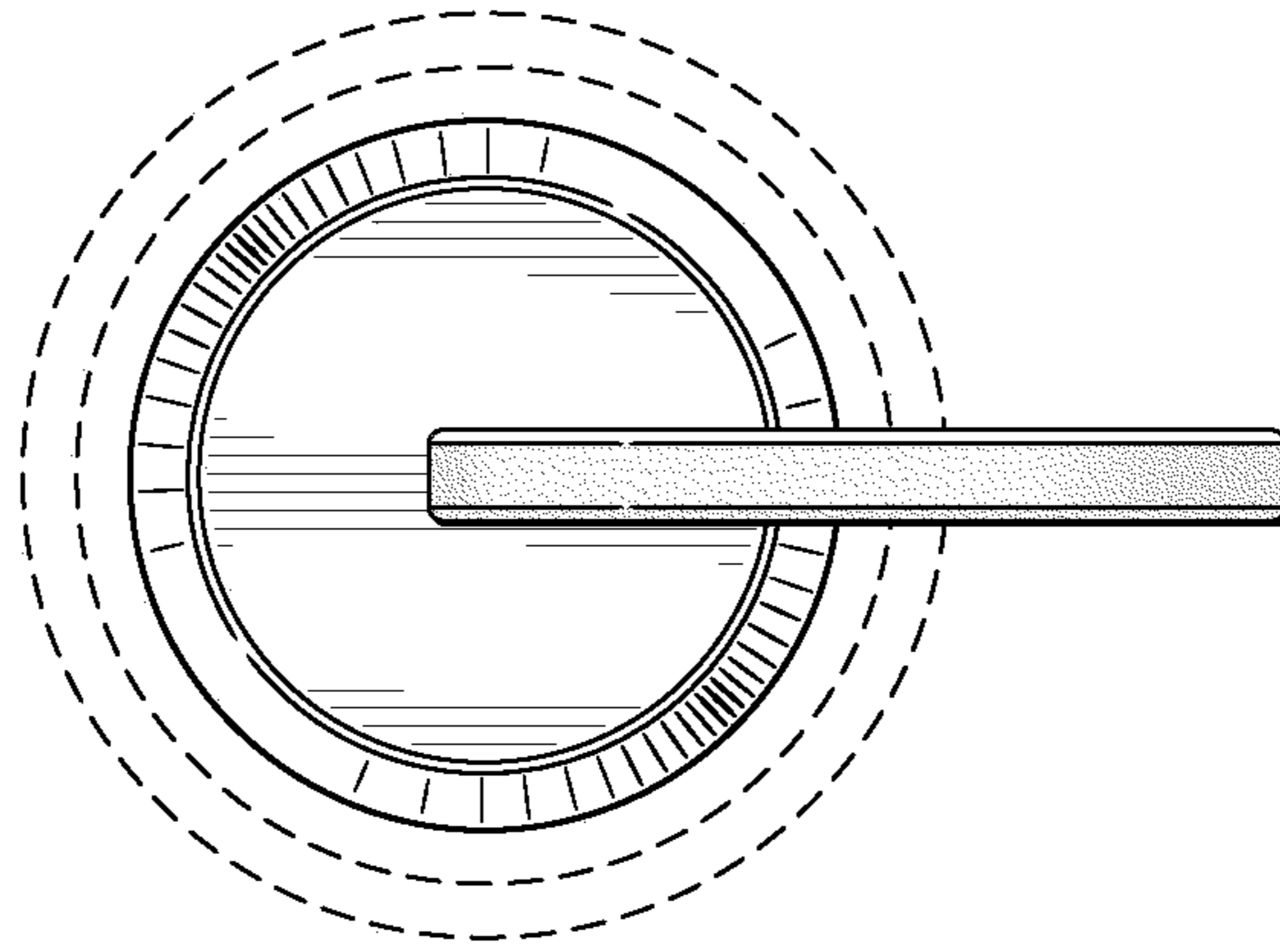


FIG. 6

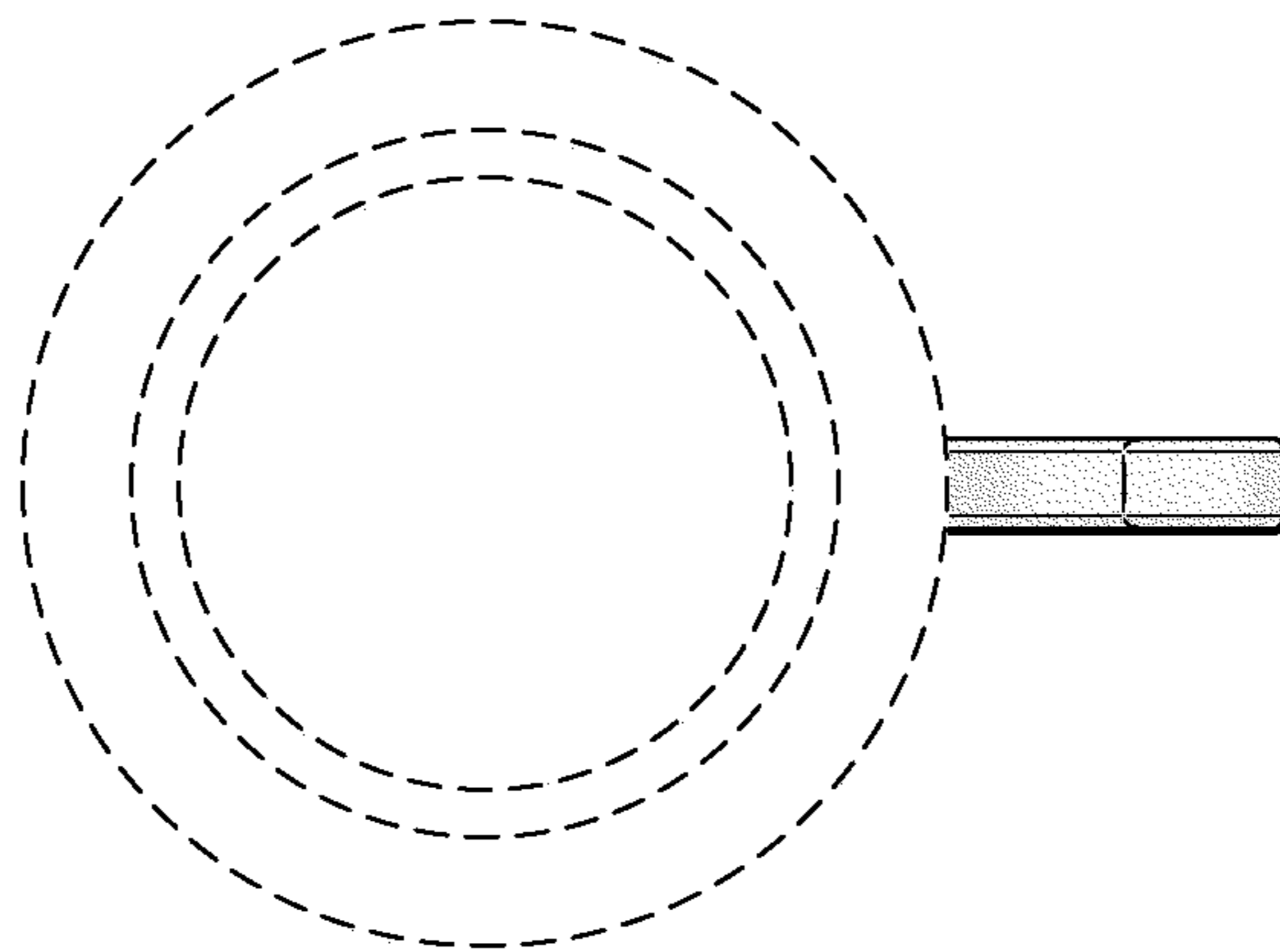


FIG. 7