



US00D892541S

(12) **United States Design Patent** (10) **Patent No.:** **US D892,541 S**
Evans et al. (45) **Date of Patent:** **** Aug. 11, 2020**

(54) **FOOD CONTAINER LID**

(71) Applicants: **Linden Evans**, Brooklyn, NY (US);
Vincent Valderrama, Staten Island, NY (US); **Kirsten Climer**, Brooklyn, NY (US); **Meegan Dailger**, Brooklyn, NY (US)

(72) Inventors: **Linden Evans**, Brooklyn, NY (US);
Vincent Valderrama, Staten Island, NY (US); **Kirsten Climer**, Brooklyn, NY (US); **Meegan Dailger**, Brooklyn, NY (US)

(73) Assignee: **Helen of Troy Limited**, St. Michael (BB)

(**) Term: **15 Years**

(21) Appl. No.: **29/615,487**

(22) Filed: **Aug. 29, 2017**

Related U.S. Application Data

(62) Division of application No. 29/577,224, filed on Sep. 10, 2016, now Pat. No. Des. 811,160.

(51) **LOC (12) Cl.** **07-01**

(52) **U.S. Cl.**
USPC **D7/392.1**; D7/391

(58) **Field of Classification Search**
USPC D7/354, 360, 391, 392, 392.1, 396.1,
D7/511, 538, 542, 602, 629, 705;
D9/424, 430, 435, 443, 452, 454
CPC B65D 43/0212; B65D 43/0204
See application file for complete search history.

(56) **References Cited**

U.S. PATENT DOCUMENTS

D499,931 S * 12/2004 Kim D7/392.1
D500,227 S * 12/2004 Seok D7/392.1
D549,519 S * 8/2007 Moon D7/391
D613,111 S * 4/2010 Furlong D7/392.1

D660,094 S * 5/2012 Kyung D7/629
D675,057 S * 1/2013 Harvey D7/391
D676,274 S * 2/2013 Tong D7/391
D677,116 S * 3/2013 Smyers D7/391
D682,609 S * 5/2013 Lindsay D7/392.1
D704,503 S * 5/2014 Manley D7/391

(Continued)

OTHER PUBLICATIONS

“OXO Good Grips 3 cup SNAP Leakproof Food Storage Container: Rectangle”. Found online Jul. 3, 2017 at amazon.com. Page dated Dec. 15, 2015. Retrieved from https://www.amazon.com/OXO-Grips-Leakproof-Storage-Container/dp/B019F06Y96/ref=sr_1_143?ie=UTF8&qid=1499098867&sr=8-143&keywords=oxo.*

(Continued)

Primary Examiner — Kendra Leslie Hamilton

(74) *Attorney, Agent, or Firm* — Rankin, Hill & Clark LLP

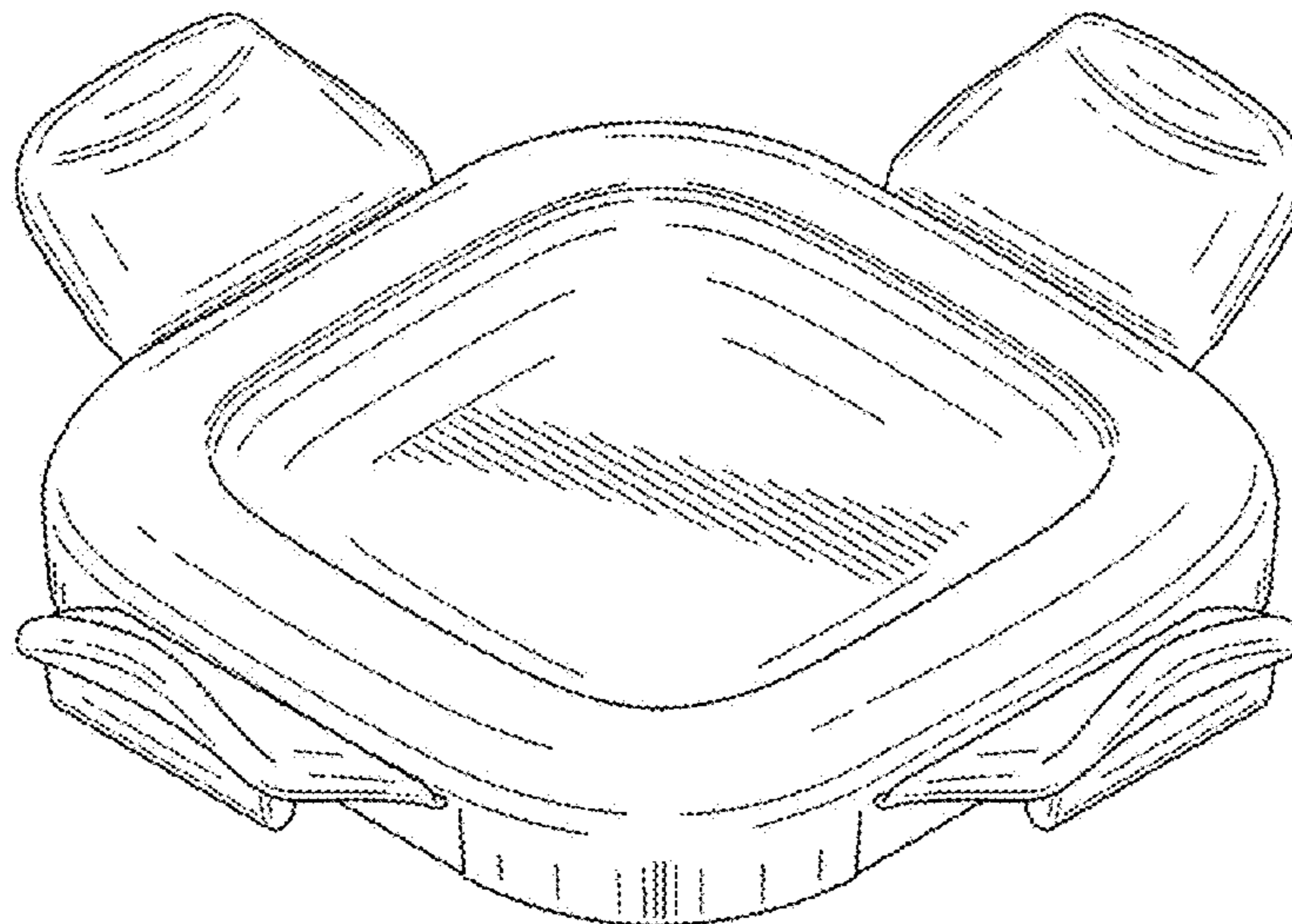
(57) **CLAIM**

The ornamental design for a food container lid, as shown, and described.

DESCRIPTION

FIG. 1 is a top, front, left perspective view of a food container lid, showing our new design;
FIG. 2 is a front elevation view thereof, the rear elevation view being a mirror image thereof;
FIG. 3 is a left side elevation view thereof, the right side elevation view being a mirror image thereof;
FIG. 4 is a top plan view thereof;
FIG. 5 is a bottom plan view thereof; and,
FIG. 6 is a top, front, left perspective view of the food container lid of FIG. 1, shown in condition of use.
The broken lines in the drawings depict portions of the food container lid that form no part of the claimed design. The broken lines showing a food container in FIG. 6 depict environmental matter that form no part of the claimed design.

1 Claim, 6 Drawing Sheets



(56)

References Cited

U.S. PATENT DOCUMENTS

8,714,394 B2 * 5/2014 Wulf B65D 43/0212
220/318
2004/0084464 A1 * 5/2004 Koo B65D 43/0218
220/784
2014/0217101 A1 * 8/2014 Wang B65D 45/00
220/324

OTHER PUBLICATIONS

“Lock & Lock Oven Glass Airtight Heat Resistant Glass Square Food Storage Ctr”. Found online Jun. 26, 2017 at amazon.com. Page dated Jun. 7, 2011. Retrieved from https://www.amazon.com/...nglass-Airtight-Resistant-Container-25-36-oz/dp/B0054PFBZ0/ref=sr_1_178?s=kitchen&ie=UTF8&qid=1498512805&sr=1-178&keywords=locki.*

“Pyrex Snapware: Total Solution 8-Pc Food Storage Set”. Found online Jun. 30, 2017 at goodhousekeeping.com. Page dated Aug. 2015. Retrieved from http://www.goodhousekeeping.com/...-container-reviews/a34466/snapware-total-solution-8-pc-pyrex-glass-food-storage-set-w-snapware-lids/*

“Wean Green Glass Baby Food Storage Containers, Wean Cube”. Found online Jun. 26, 2017 at amazon.com. Page dated Nov. 8, 2010. Retrieved from https://www.amazon.com/Wean-Green-Storage-Containers-Ounces/dp/B005E7K3LU/ref=sr_1_218?s=kitchen&ie=UTF8&qid=1498512863&sr=1-218&keywords=locking+lid+container.*

* cited by examiner

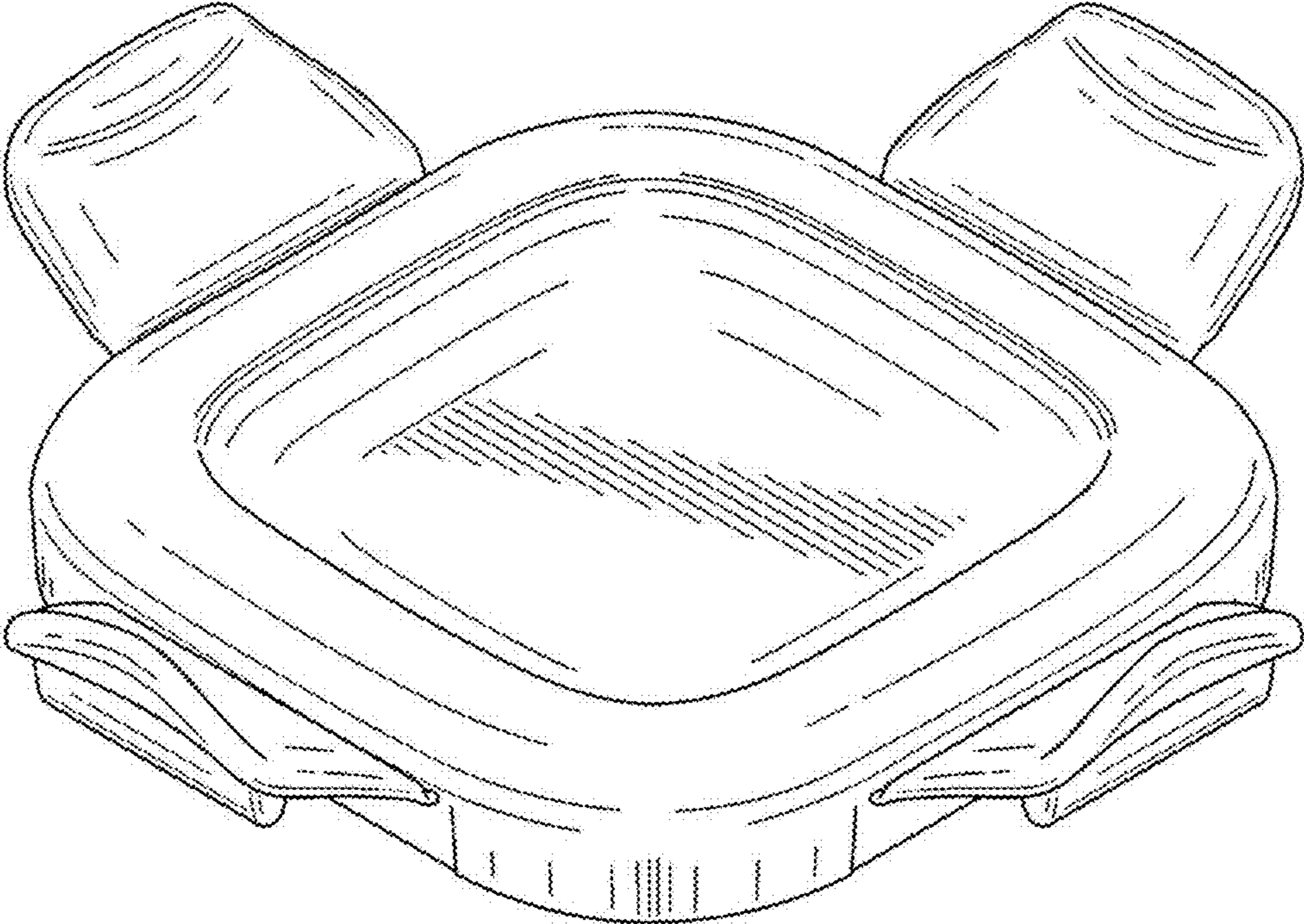


FIG. 1

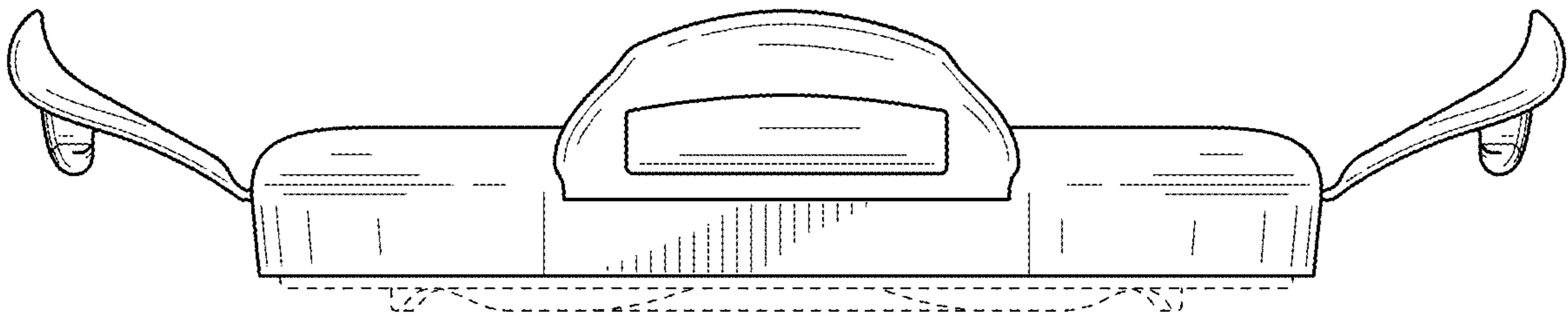


FIG. 2

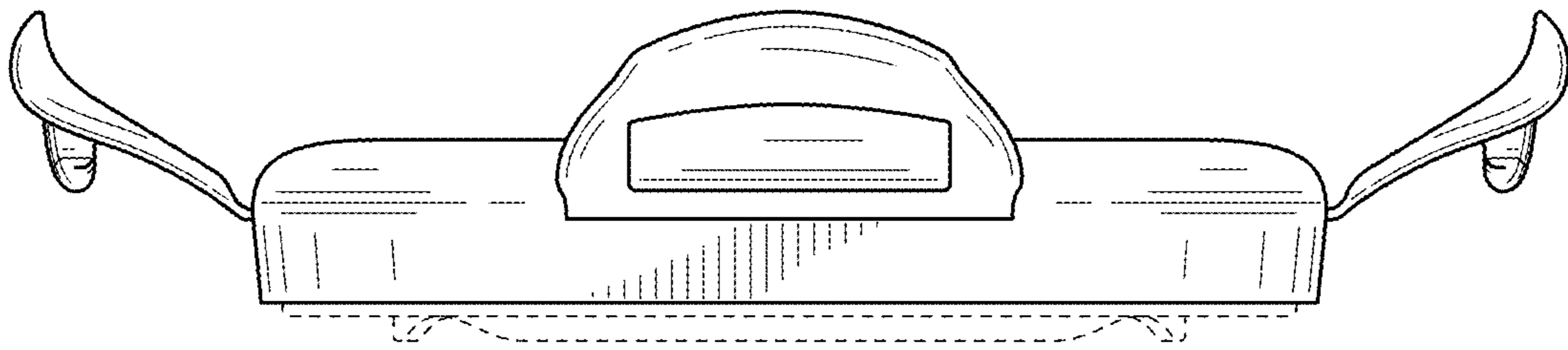


FIG. 3

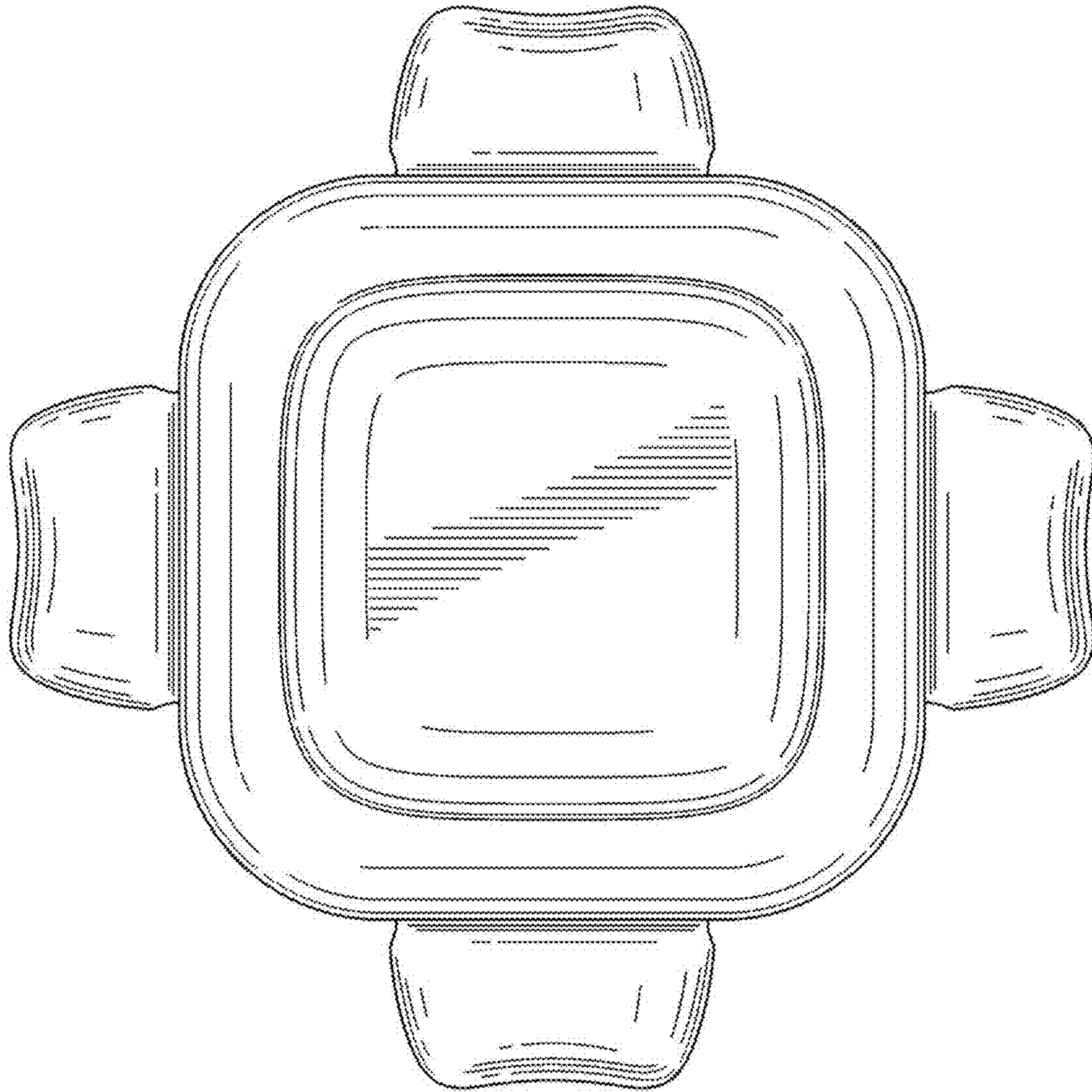


FIG. 4

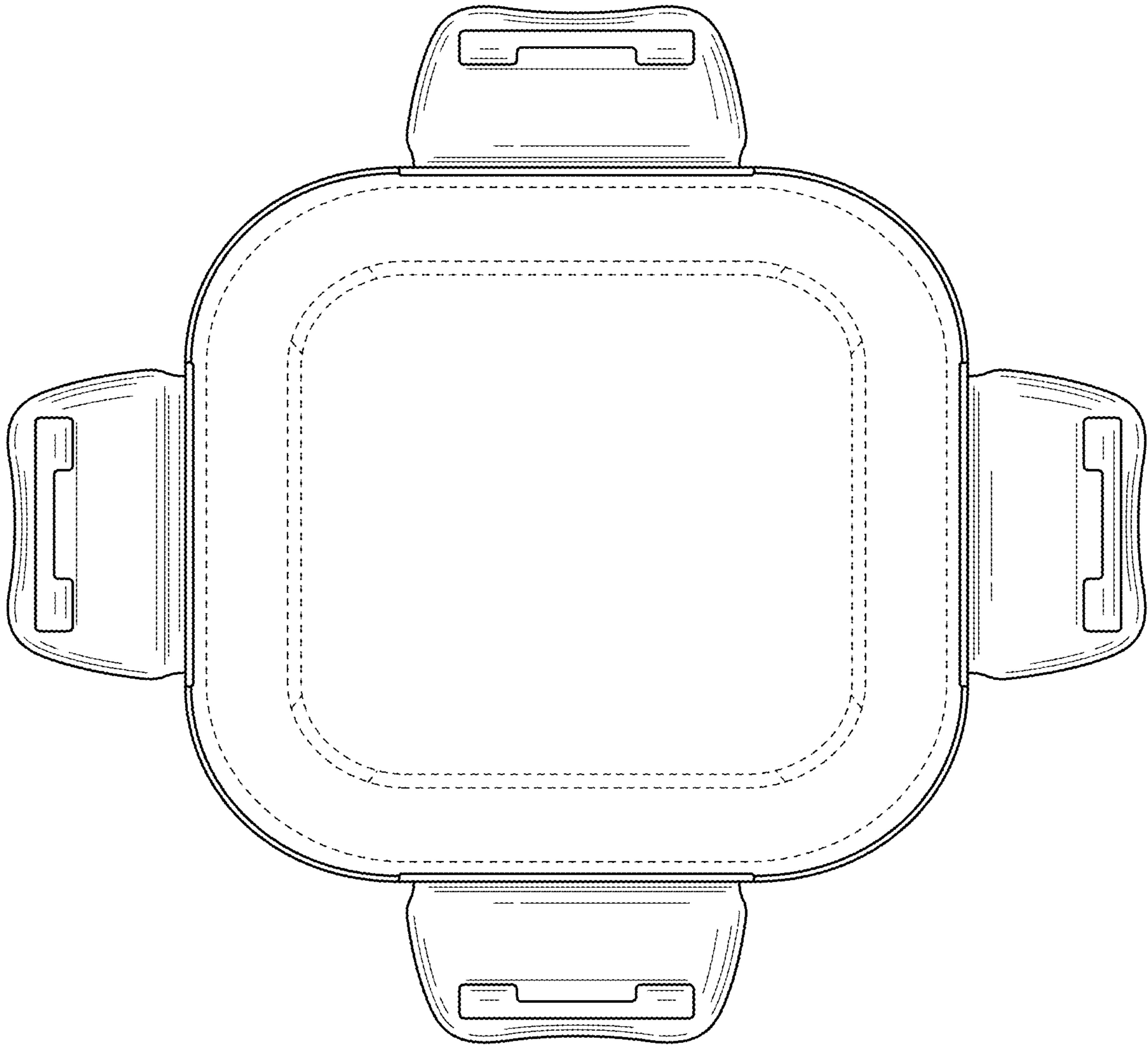


FIG. 5

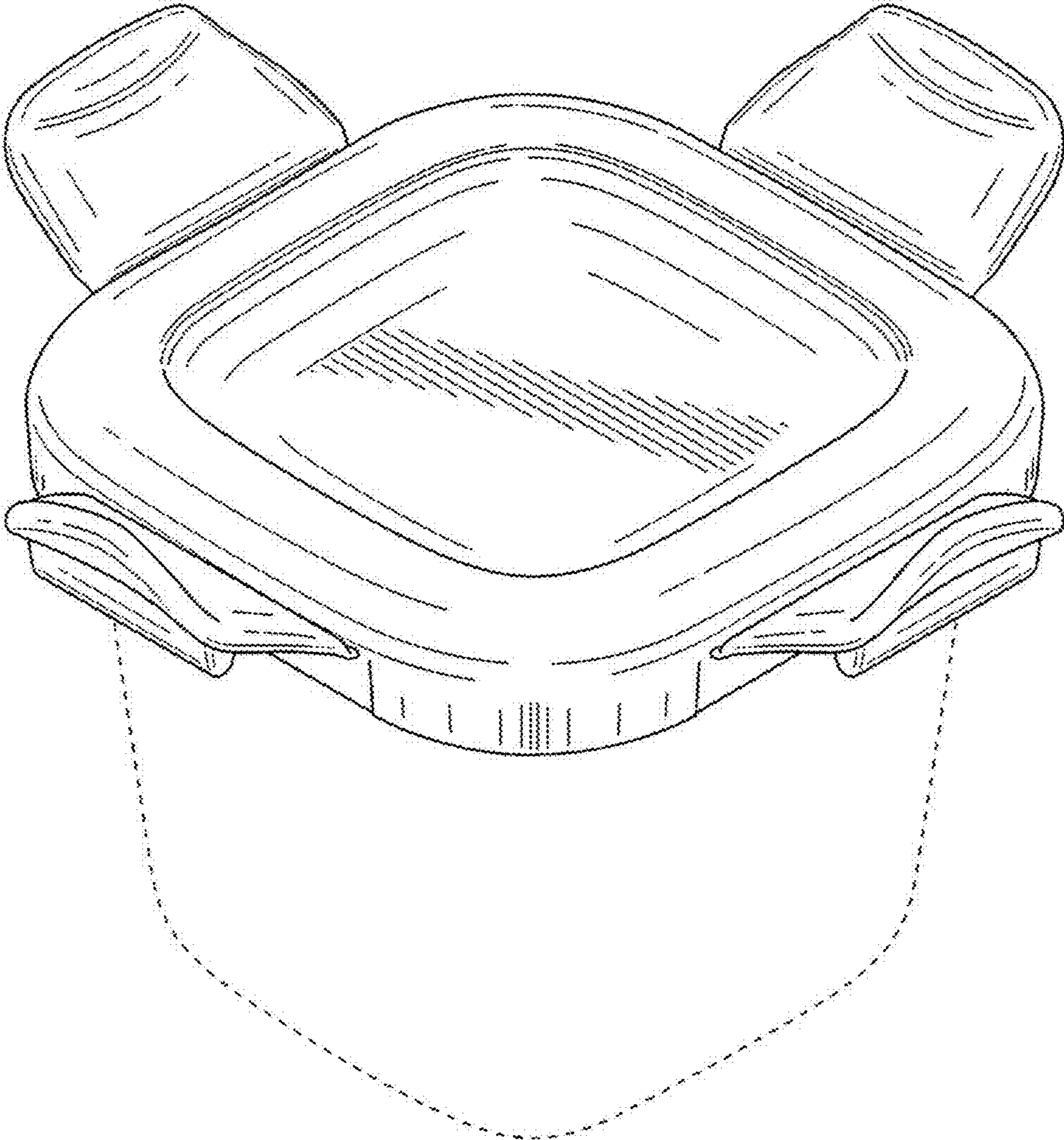


FIG. 6