



US00D892539S

(12) **United States Design Patent** (10) **Patent No.:** **US D892,539 S**
McConnell et al. (45) **Date of Patent:** **** Aug. 11, 2020**

(54) **ELECTRIC MIXER**
(71) Applicant: **WHIRLPOOL CORPORATION**,
Benton Harbor, MI (US)
(72) Inventors: **John W. McConnell**, St. Joseph, MI
(US); **Yifan Wang**, St. Joseph, MI
(US); **Wenkai Wu**, Aurora, IL (US)
(73) Assignee: **Whirlpool Corporation**, Benton
Harbor, MI (US)
(**) Term: **15 Years**
(21) Appl. No.: **29/682,091**
(22) Filed: **Mar. 1, 2019**
(51) **LOC (12) Cl.** **31-00**
(52) **U.S. Cl.**
USPC **D7/379; D7/376**
(58) **Field of Classification Search**
USPC D7/372, 376-386, 412-413, 602, 629,
D7/665-666, 669, 679, 693-694
CPC A21C 1/02; A21C 1/04; A23N 1/00; A23N
1/02; A47J 43/04; A47J 43/25; A47J
43/27; A47J 43/042; A47J 43/044; A47J
43/046; A47J 43/075; A47J 43/0711;
A47J 43/0722; A47J 43/0727; A47J
43/082; B01F 3/00; B01F 3/0807; B01F
3/0853; B01F 13/0059; B01F 13/0064;
B02C 1/08; B02C 2/04; B02C 4/42;
B02C 4/142; B02C 4/143; B02C 4/423;
B02C 13/1835; B28C 5/10; B28C 5/12;
B28C 5/14; B28C 5/16
See application file for complete search history.

(56) **References Cited**
U.S. PATENT DOCUMENTS
D178,266 S 7/1956 Swann
D204,408 S * 4/1966 Fischer D7/386
D210,682 S * 4/1968 De Fano D7/379

D255,760 S * 7/1980 Ernest D7/379
4,568,193 A * 2/1986 Contri A47J 43/082
366/197
D329,165 S 9/1992 Doggett
D329,166 S 9/1992 Doggett
D336,405 S * 6/1993 Maass D7/376
D337,667 S * 7/1993 Lovett D7/376
D362,783 S 10/1995 Cruz
D367,400 S 2/1996 Viemeister et al.
D387,244 S 12/1997 Ivy et al.
D396,991 S 8/1998 Lallemand
D400,049 S 10/1998 Wanat et al.
D416,168 S 11/1999 Huang
5,979,850 A 11/1999 Hippen et al.
D418,010 S 12/1999 Chan
D419,365 S 1/2000 Endres
D419,366 S 1/2000 Tse
D433,593 S 11/2000 Mattijssen
6,234,663 B1 5/2001 Lecerf et al.

(Continued)

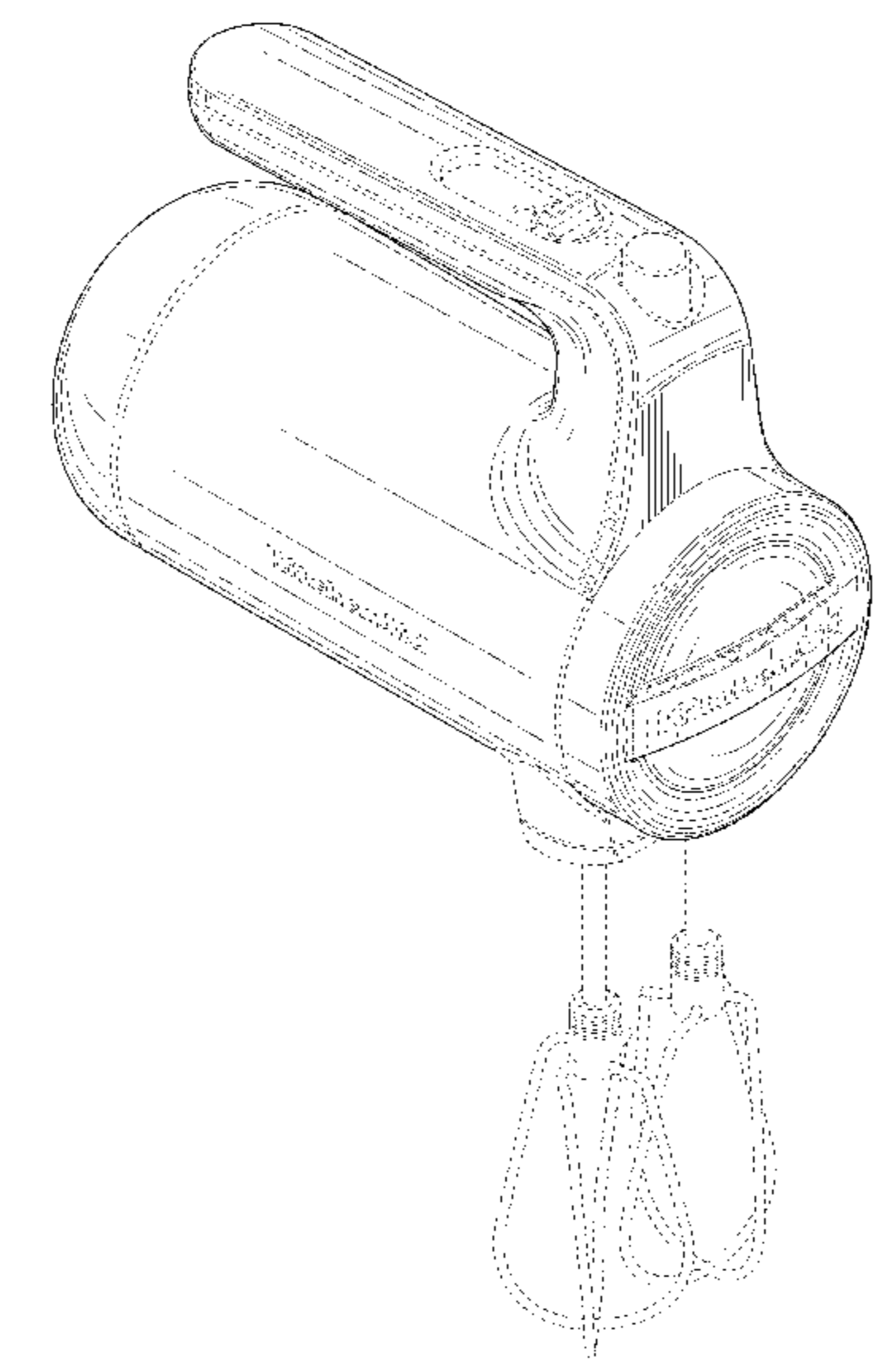
Primary Examiner — Ricky Pham
(74) *Attorney, Agent, or Firm* — Price Heneveld LLP

(57) **CLAIM**
The ornamental design for an electric mixer, as shown and described.

DESCRIPTION

FIG. 1 is a perspective view of an electric mixer according to the design;
FIG. 2 is a front elevation view thereof;
FIG. 3 is a back elevation view thereof;
FIG. 4 is a right side elevation view thereof;
FIG. 5 is a left side elevation view thereof;
FIG. 6 is a top plan view thereof; and,
FIG. 7 is a bottom plan view thereof.
The portions of the article shown in broken line form no part of the claimed design.
Dash-dot broken lines adjacent un-shaded areas represent bounds of the claimed design and form no part of the claimed design themselves.

1 Claim, 7 Drawing Sheets



(56)

References Cited

U.S. PATENT DOCUMENTS

D471,758	S	3/2003	Wilson	
D475,264	S	6/2003	Kondo et al.	
6,572,254	B1	6/2003	Marriere et al.	
6,585,403	B2	7/2003	Krall et al.	
D478,467	S	8/2003	Holderfield et al.	
6,637,925	B1	10/2003	Beaudet et al.	
6,726,353	B1	4/2004	Beaudet et al.	
D539,603	S	4/2007	Holderfield et al.	
D540,115	S *	4/2007	Picozza	D7/379
D588,865	S *	3/2009	Ferraby	D7/380
D593,360	S	6/2009	Lee	
D628,012	S *	11/2010	Bodum	D7/376
D665,223	S	8/2012	Haley et al.	
D665,224	S	8/2012	Benoit et al.	
D756,165	S *	5/2016	Lee	D7/376
D807,109	S *	1/2018	Ho	D7/379
D845,697	S *	4/2019	Gordon	D7/379
2005/0007867	A1 *	1/2005	Wanat	A47J 43/082 366/129

* cited by examiner

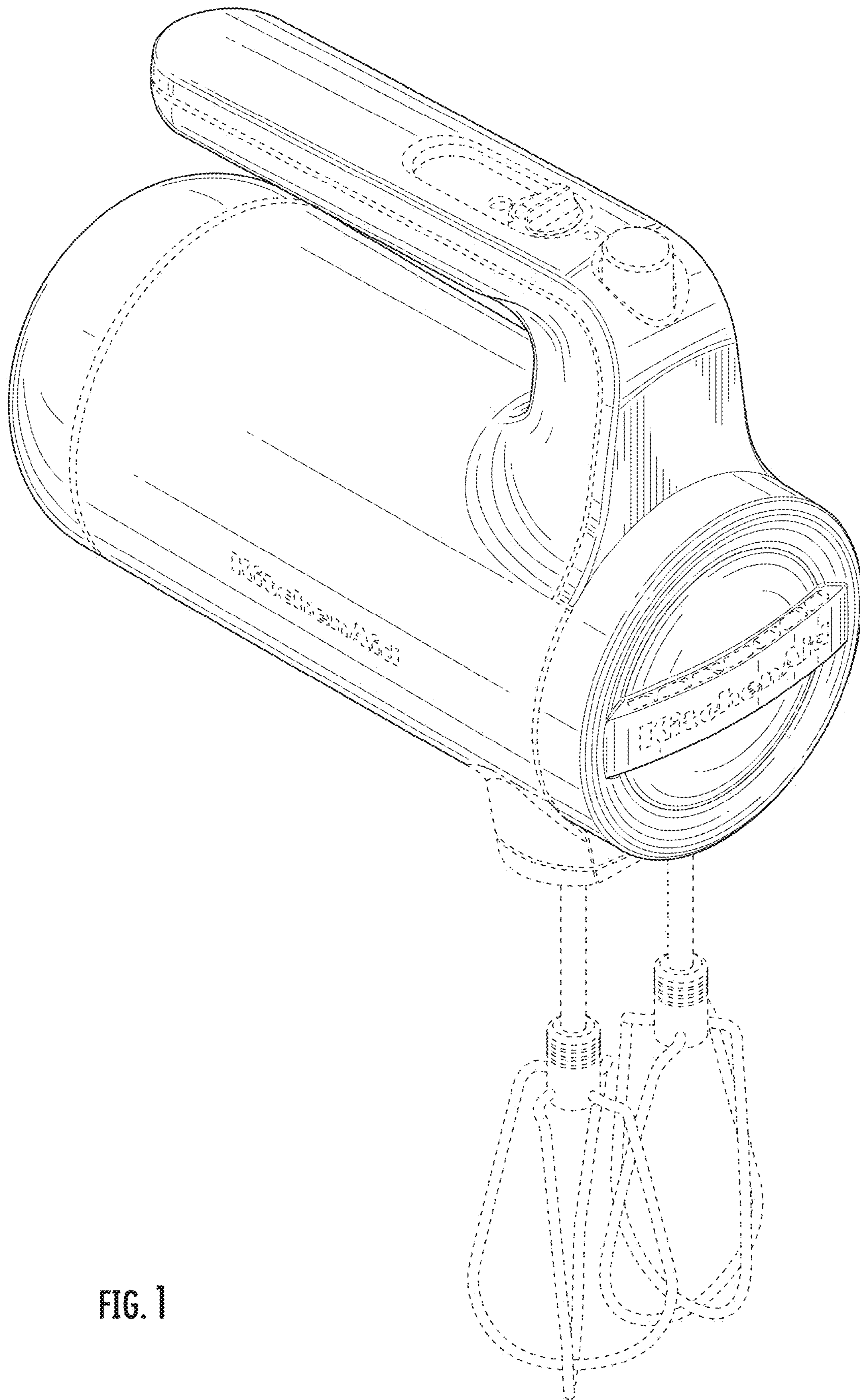


FIG. 1

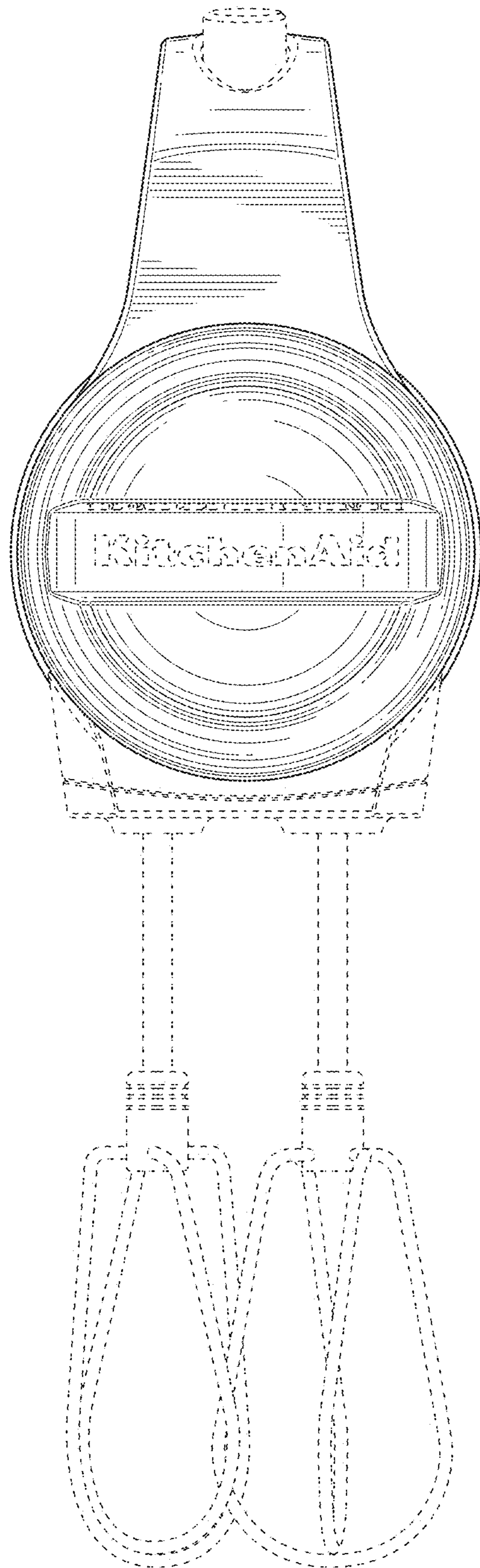


FIG. 2

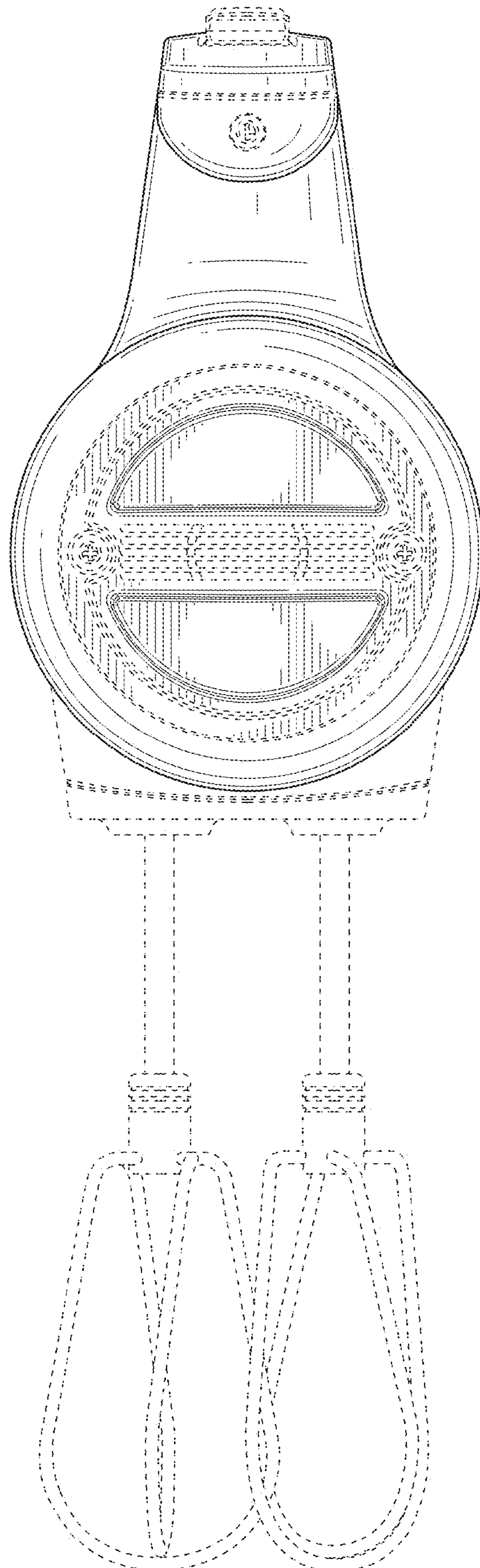


FIG. 3

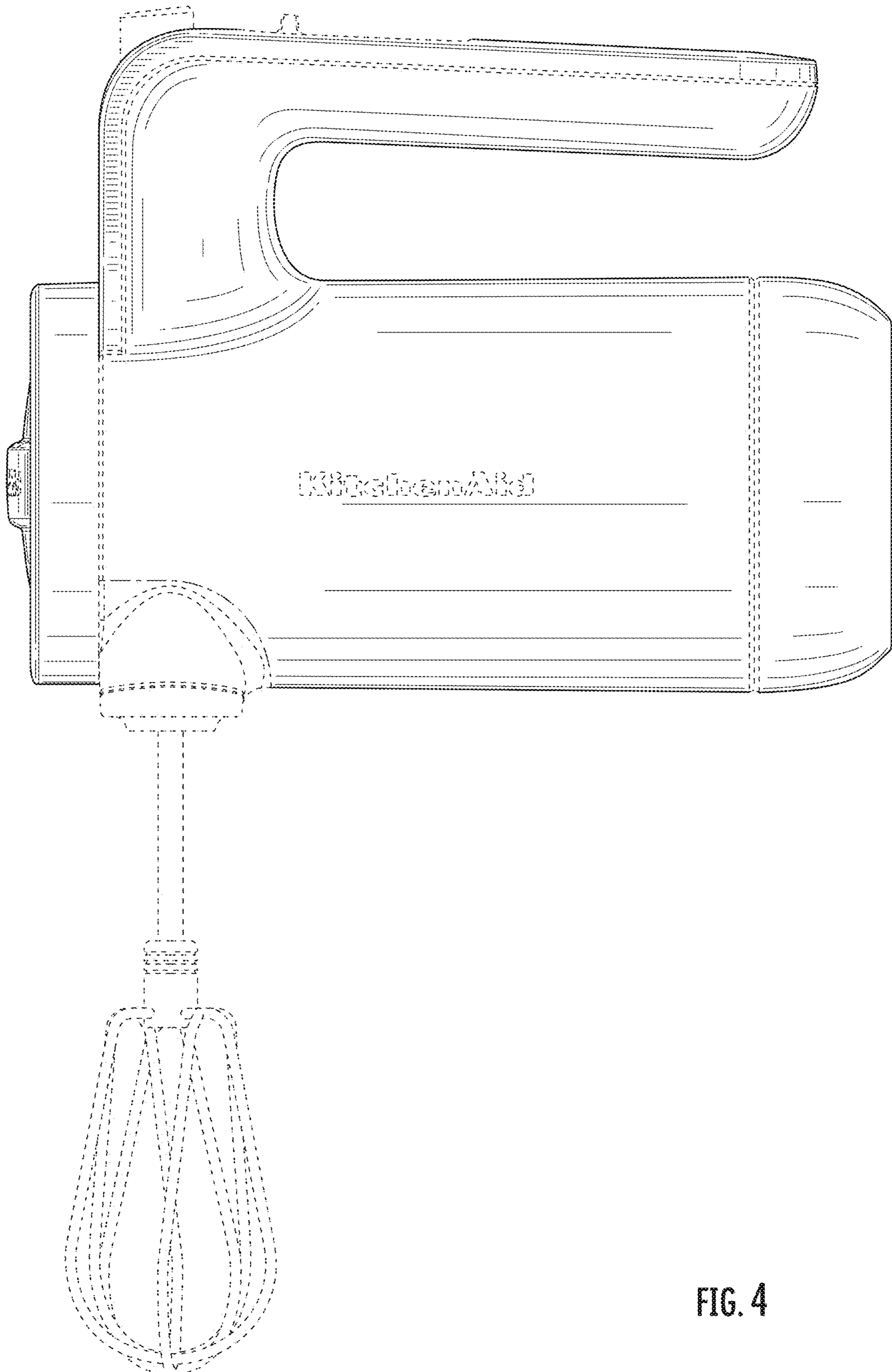


FIG. 4

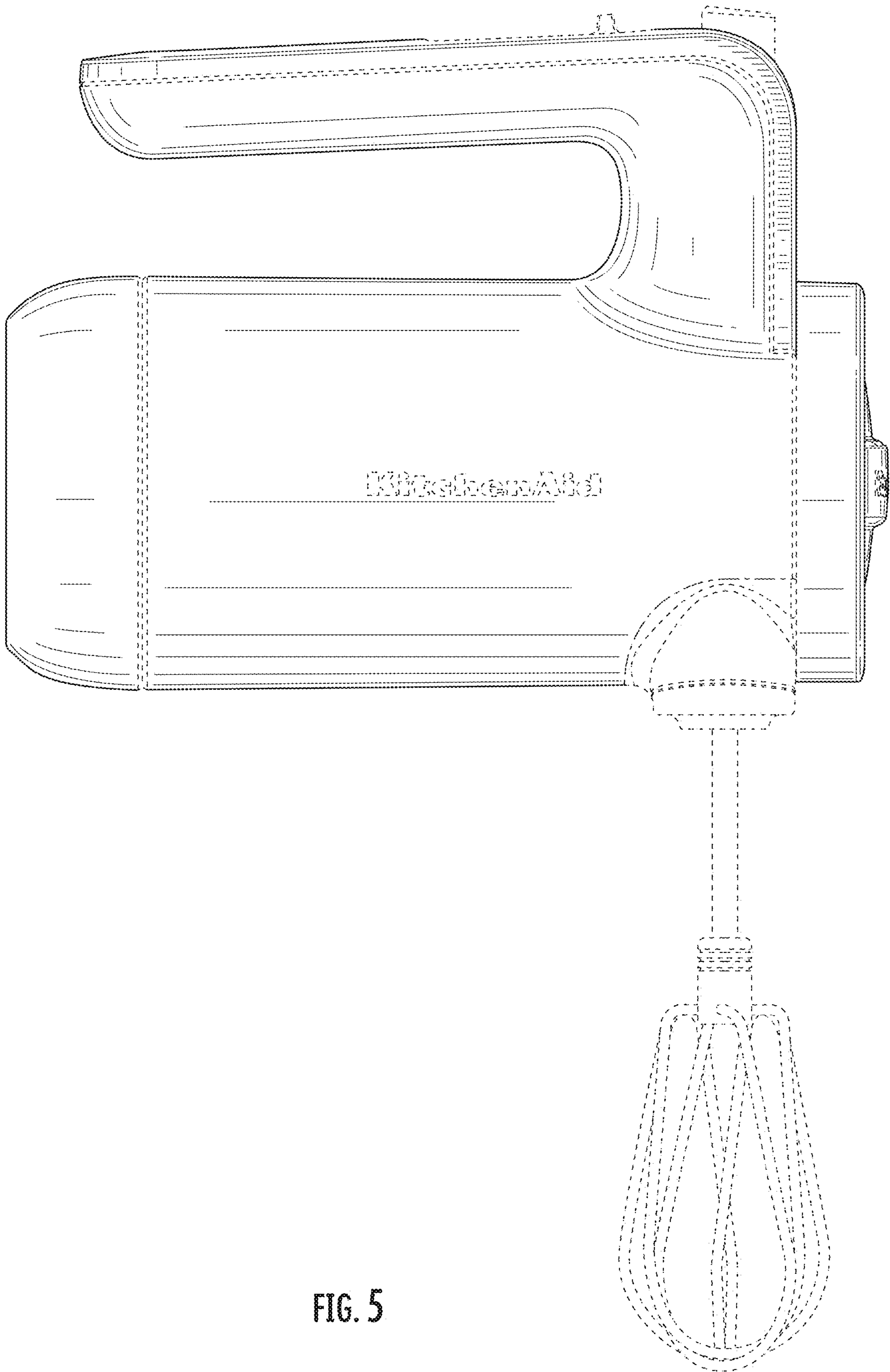


FIG. 5

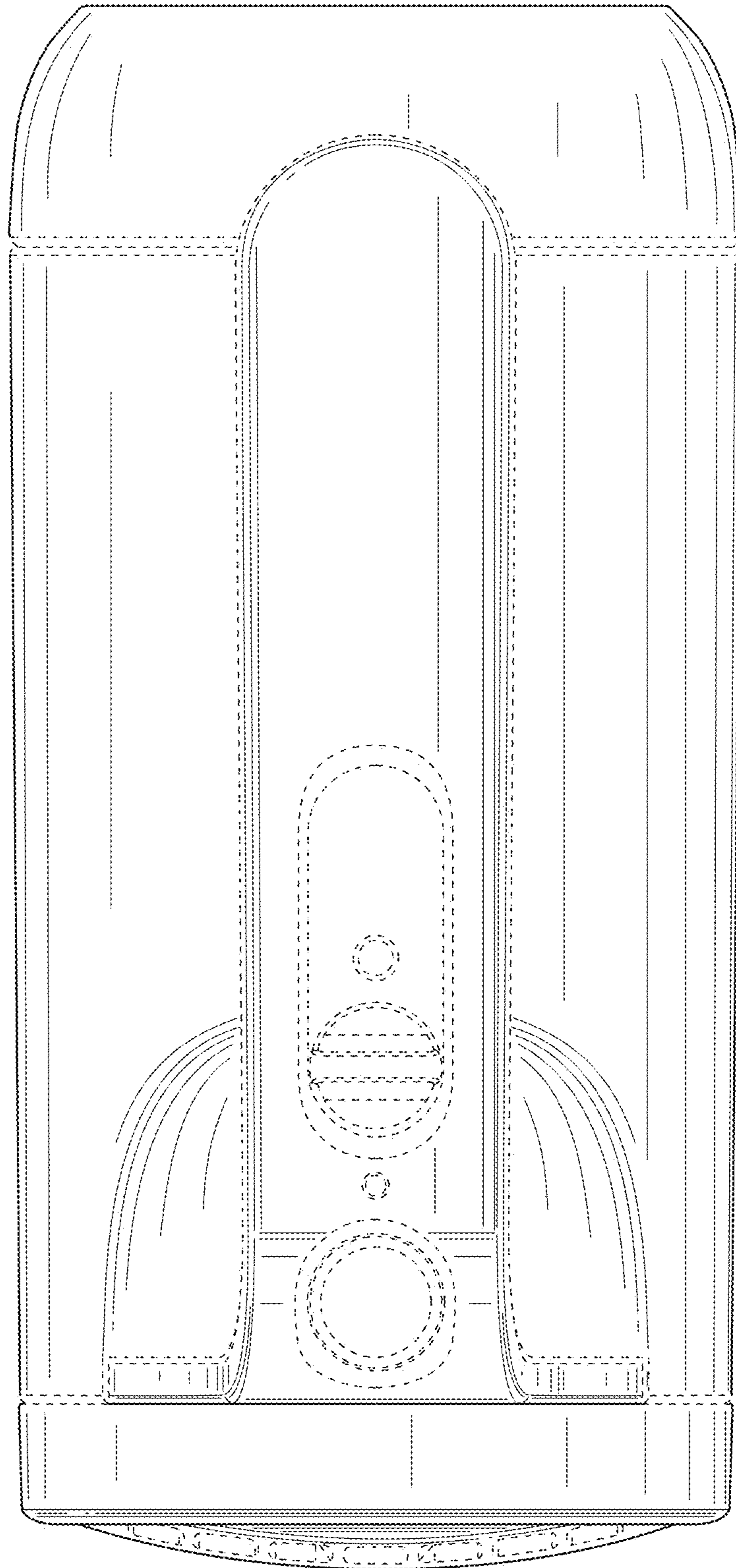


FIG. 6

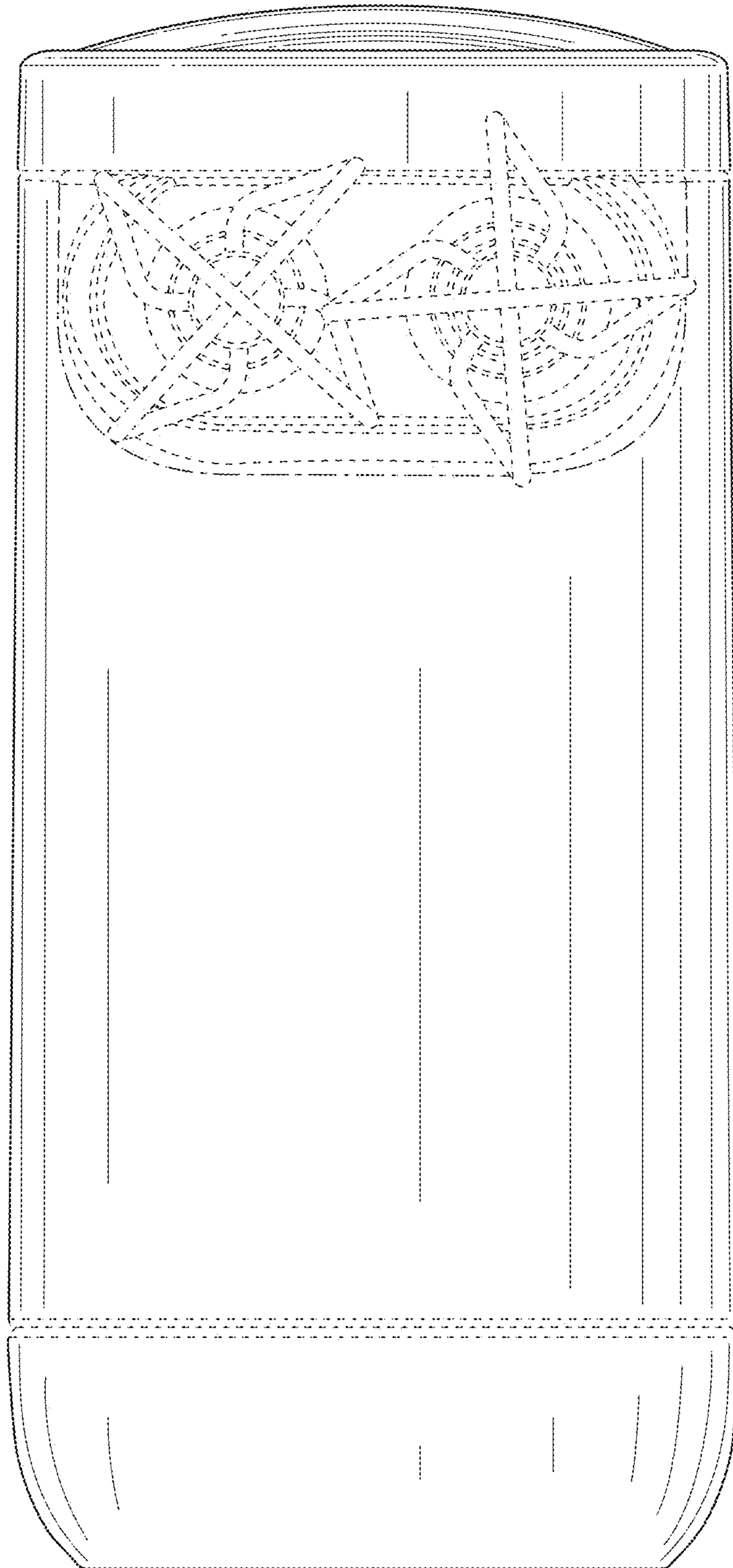


FIG. 7