



US00D892538S

(12) **United States Design Patent** (10) **Patent No.:** **US D892,538 S**
Finnance (45) **Date of Patent:** **** Aug. 11, 2020**

(54) **FOOD PROCESSOR**

(71) Applicant: **Capbran Holdings, LLC**, Los Angeles, CA (US)

(72) Inventor: **Robert Finnance**, Los Angeles, CA (US)

(73) Assignee: **Capbran Holdings, LLC**, Los Angeles, CA (US)

(**) Term: **15 Years**

(21) Appl. No.: **29/735,945**

(22) Filed: **May 26, 2020**

Related U.S. Application Data

(62) Division of application No. 29/728,433, filed on Mar. 18, 2020, now Pat. No. Des. 889,191.

(51) **LOC (12) Cl.** **31-00**

(52) **U.S. Cl.**
USPC **D7/378; D7/376; D7/386; D7/412; D7/413**

(58) **Field of Classification Search**

USPC D7/361, 372, 376–386, 412–413, 602, D7/629, 665–666, 669, 679, 693–694
CPC A21C 1/02; A21C 1/04; A23N 1/00; A23N 1/02; A47J 43/04; A47J 43/25; A47J 43/27; A47J 43/042; A47J 43/044; A47J 43/046; A47J 43/075; A47J 43/0716; A47J 43/0722; A47J 43/0727; A47J 43/085; B01F 3/00; B01F 3/0807; B01F 3/0853; B01F 13/0059; B01F 13/0064; B02C 1/08; B02C 2/04; B02C 4/42; B02C 4/142; B02C 4/143; B02C 4/423; B02C 13/1835; B26D 7/2628; B28C 5/10; B28C 5/12; B28C 5/14; B28C 5/16

See application file for complete search history.

(56) **References Cited**

U.S. PATENT DOCUMENTS

D502,842 S *	3/2005	Hallar	D7/384
7,028,930 B2 *	4/2006	Carnevale	A47J 43/0777 241/278.1
D547,601 S *	7/2007	Ting	D7/384
D587,064 S *	2/2009	Mark	D7/384
D650,229 S *	12/2011	Hensel	D7/376
D670,531 S *	11/2012	Carlson	D7/376
D746,630 S *	1/2016	Ji	D7/376
D818,304 S *	5/2018	Sandberg	D7/361
D832,641 S *	11/2018	Sapire	D7/378
D833,812 S *	11/2018	Coakley	D7/412

(Continued)

Primary Examiner — Ricky Pham

(74) *Attorney, Agent, or Firm* — Trojan Law Offices

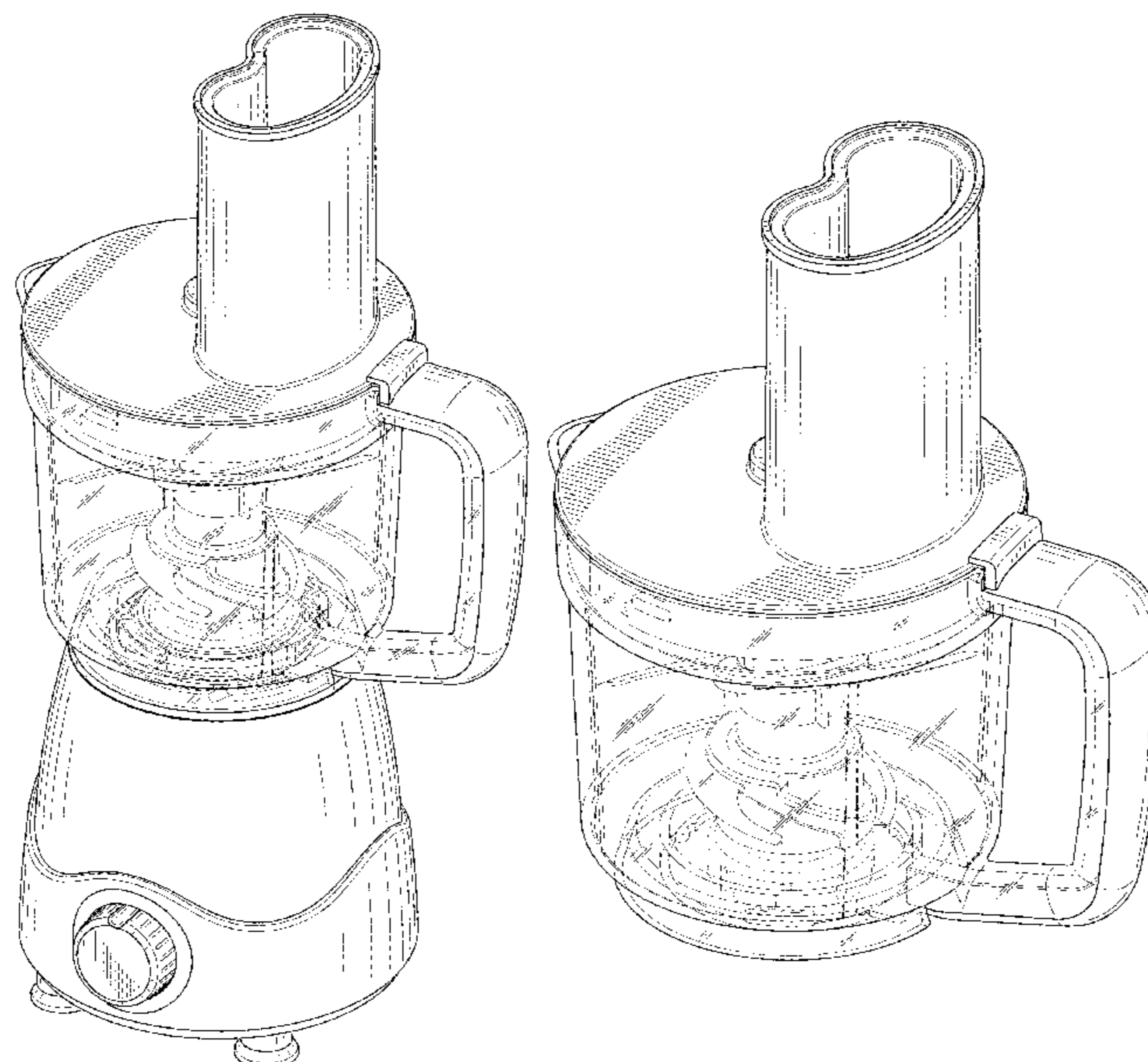
(57) **CLAIM**

The ornamental design for a food processor, as shown and described.

DESCRIPTION

FIG. 1 is a front perspective view of a food processor, in accordance with an embodiment of the present invention; FIG. 2 is a front perspective view of the food processor of FIG. 1; FIG. 3 is a bottom perspective view of the food processor of FIG. 1; FIG. 4 is a left side view of the food processor of FIG. 1; FIG. 5 is a right side view of the food processor of FIG. 1; FIG. 6 is a rear view of the food processor of FIG. 1; FIG. 7 is a front view of the food processor of FIG. 1; FIG. 8 is a top view of the food processor of FIG. 1; and, FIG. 9 is a bottom view of the food processor of FIG. 1. Any broken lines, shown throughout in the drawing figures, are included for the purpose of illustrating environmental structures and form no part of the claimed design.

1 Claim, 8 Drawing Sheets



(56)

References Cited

U.S. PATENT DOCUMENTS

D838,539 S *	1/2019	Shin	D7/378
10,427,316 B2 *	10/2019	Beber	B26D 7/2628
2011/0011281 A1 *	1/2011	Allen	A47J 43/046 99/537

* cited by examiner



Fig. 1

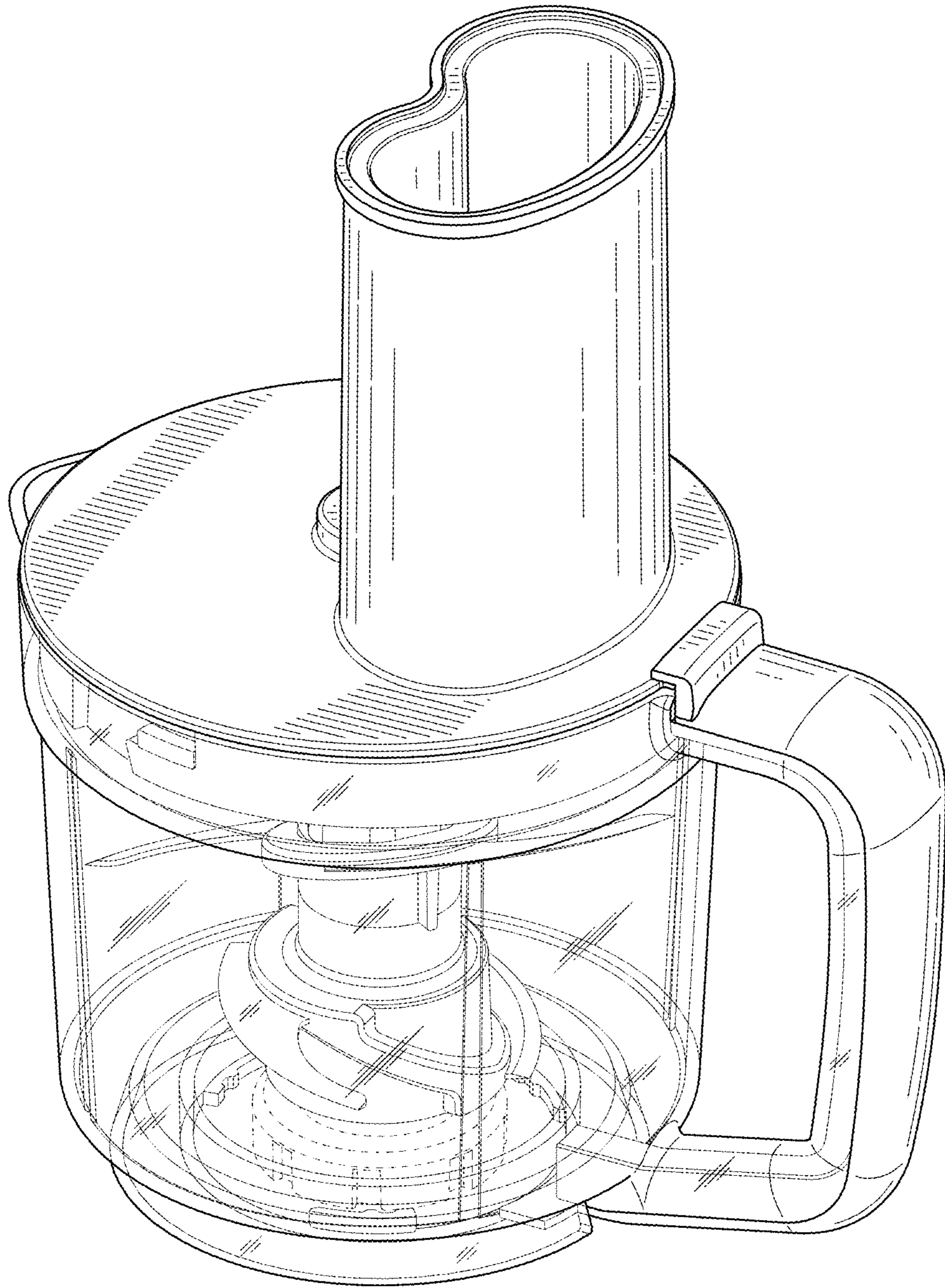


Fig. 2

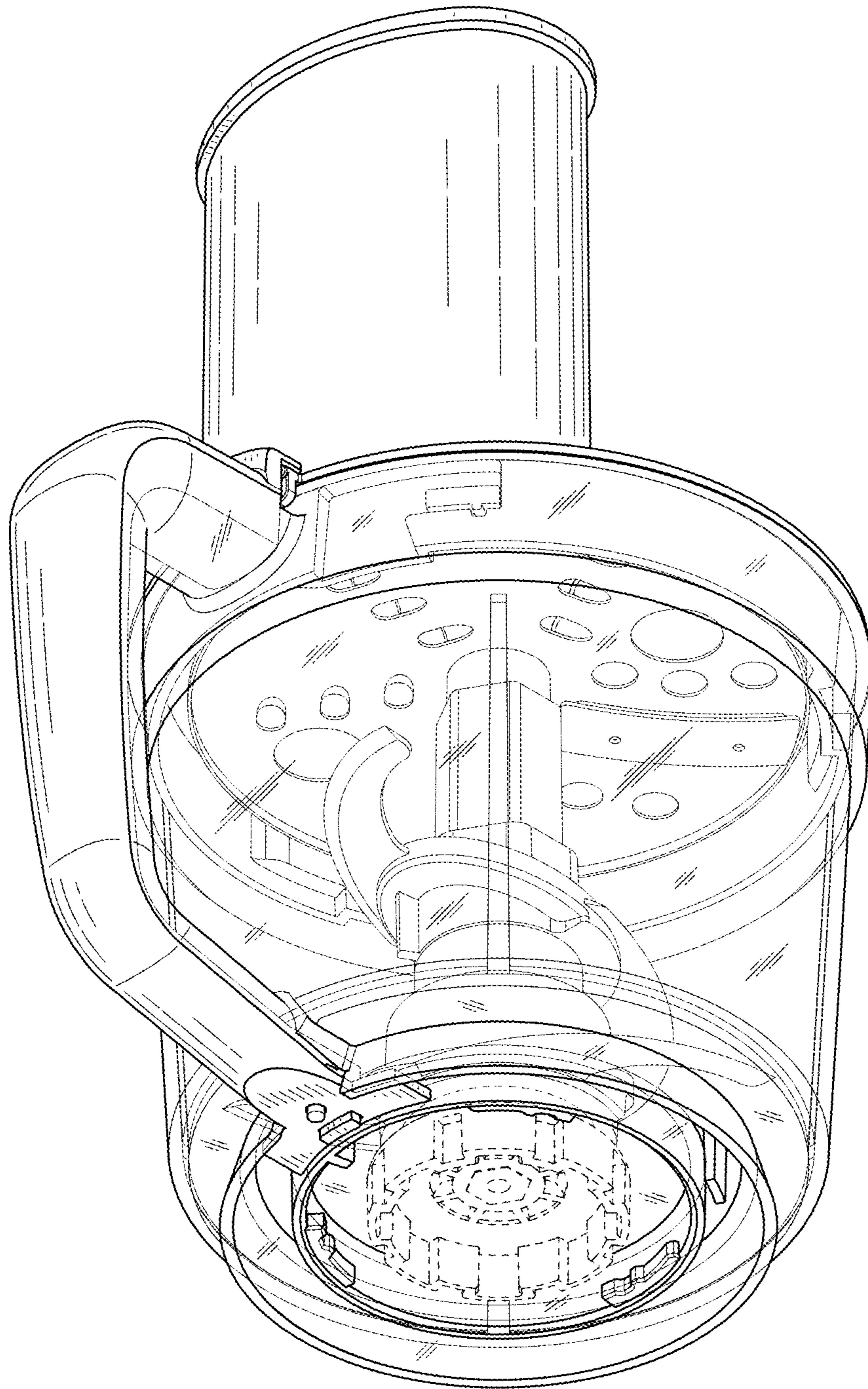


Fig. 3

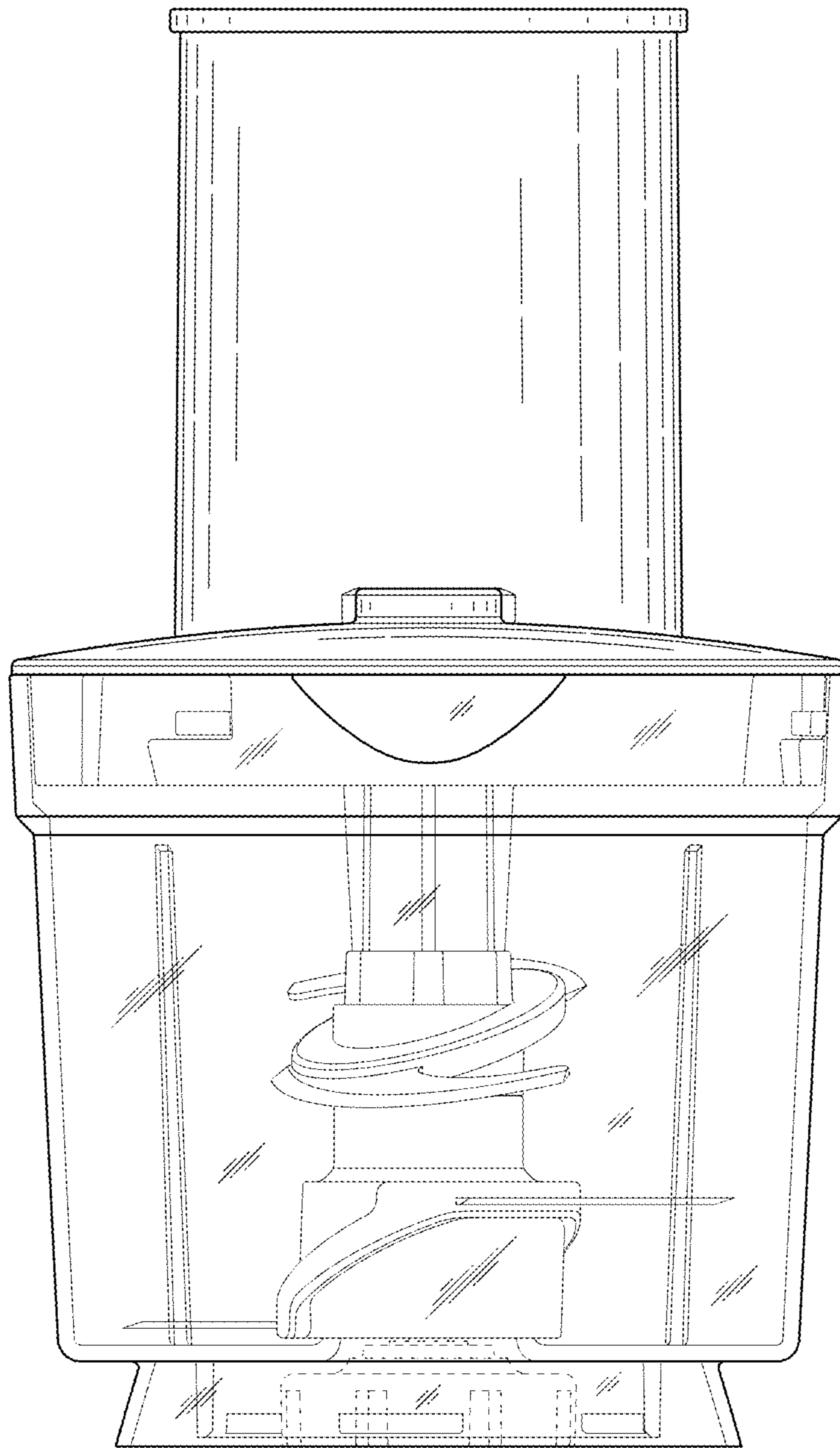


Fig. 4

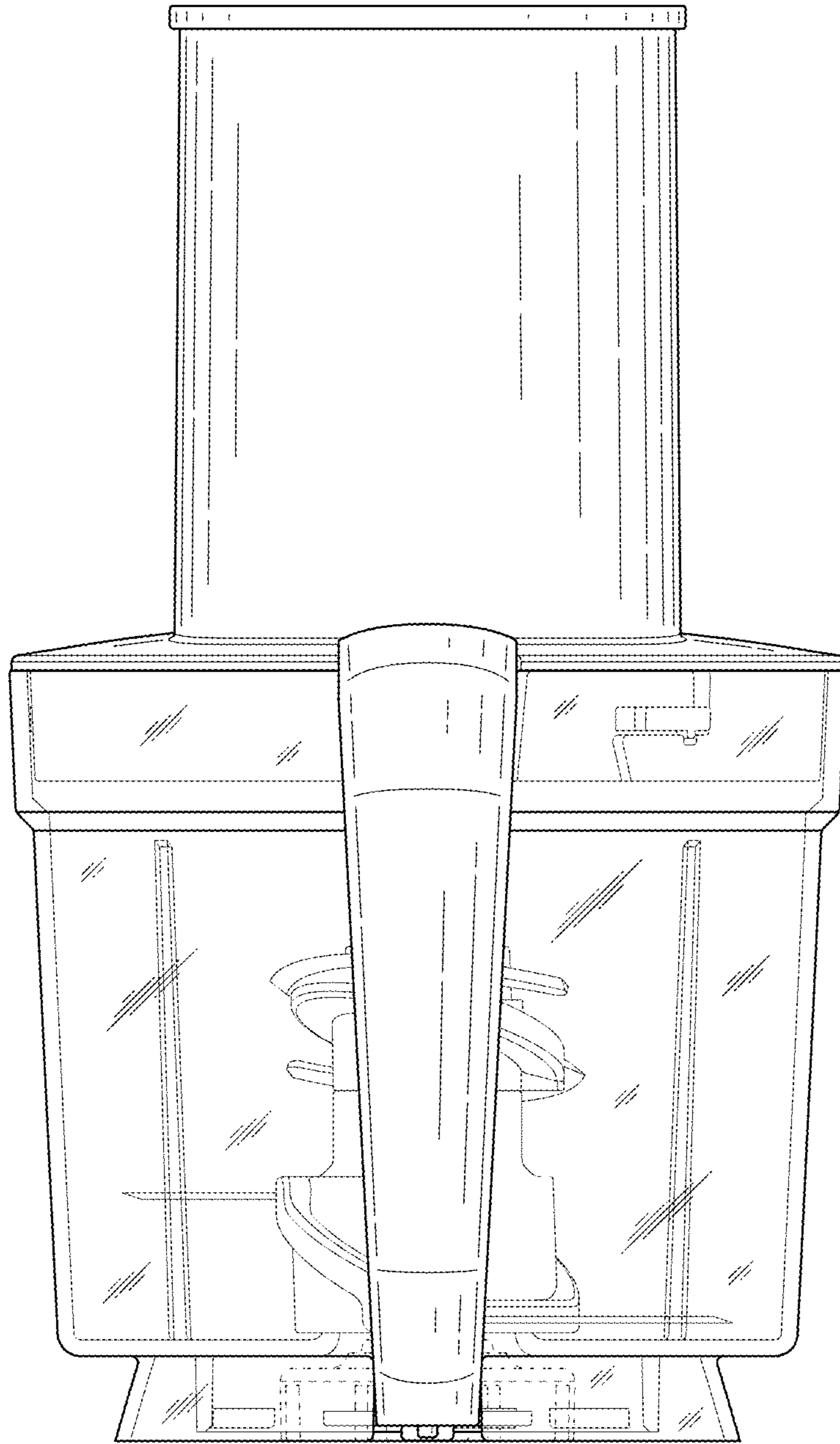


Fig. 5

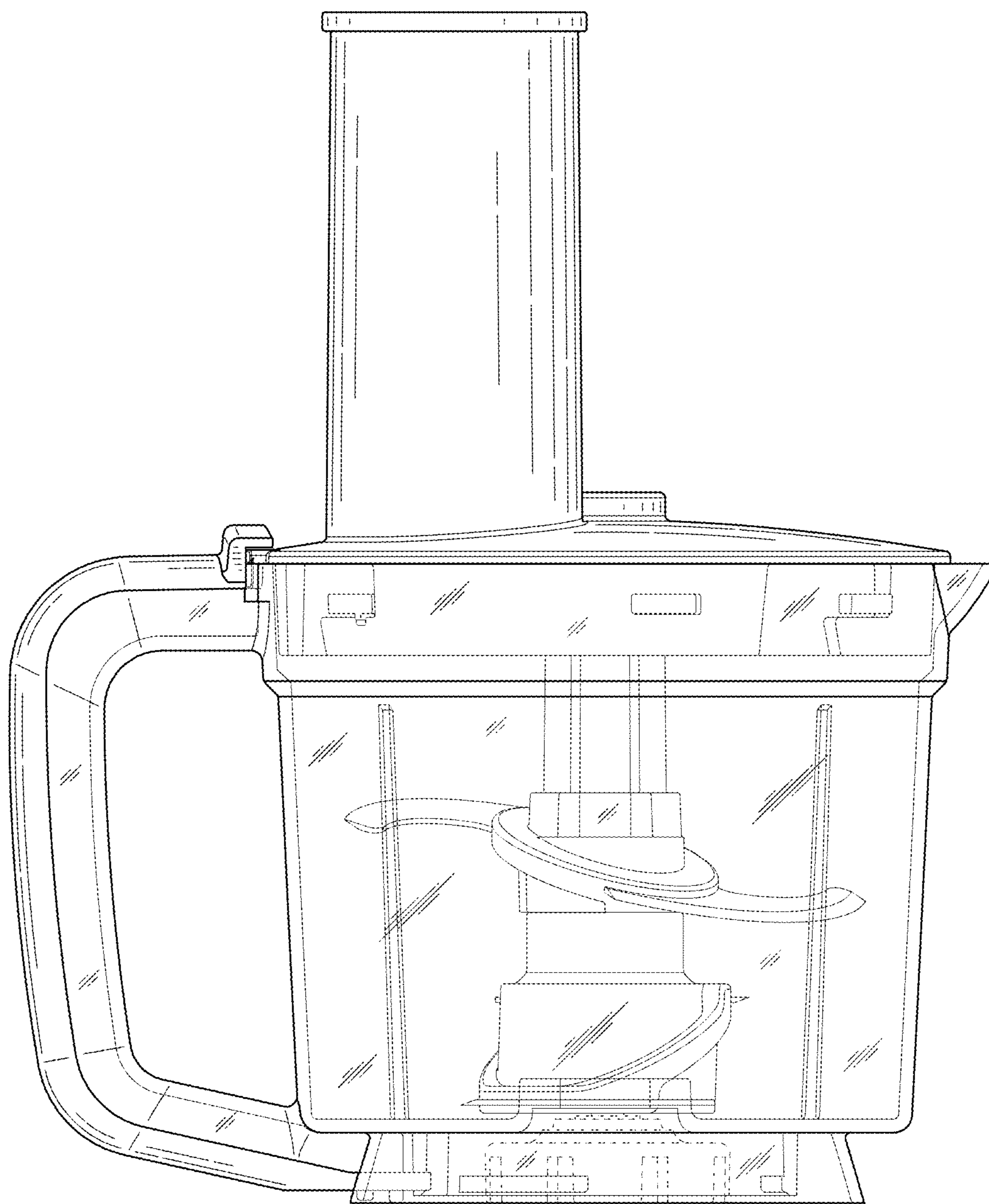


Fig. 6

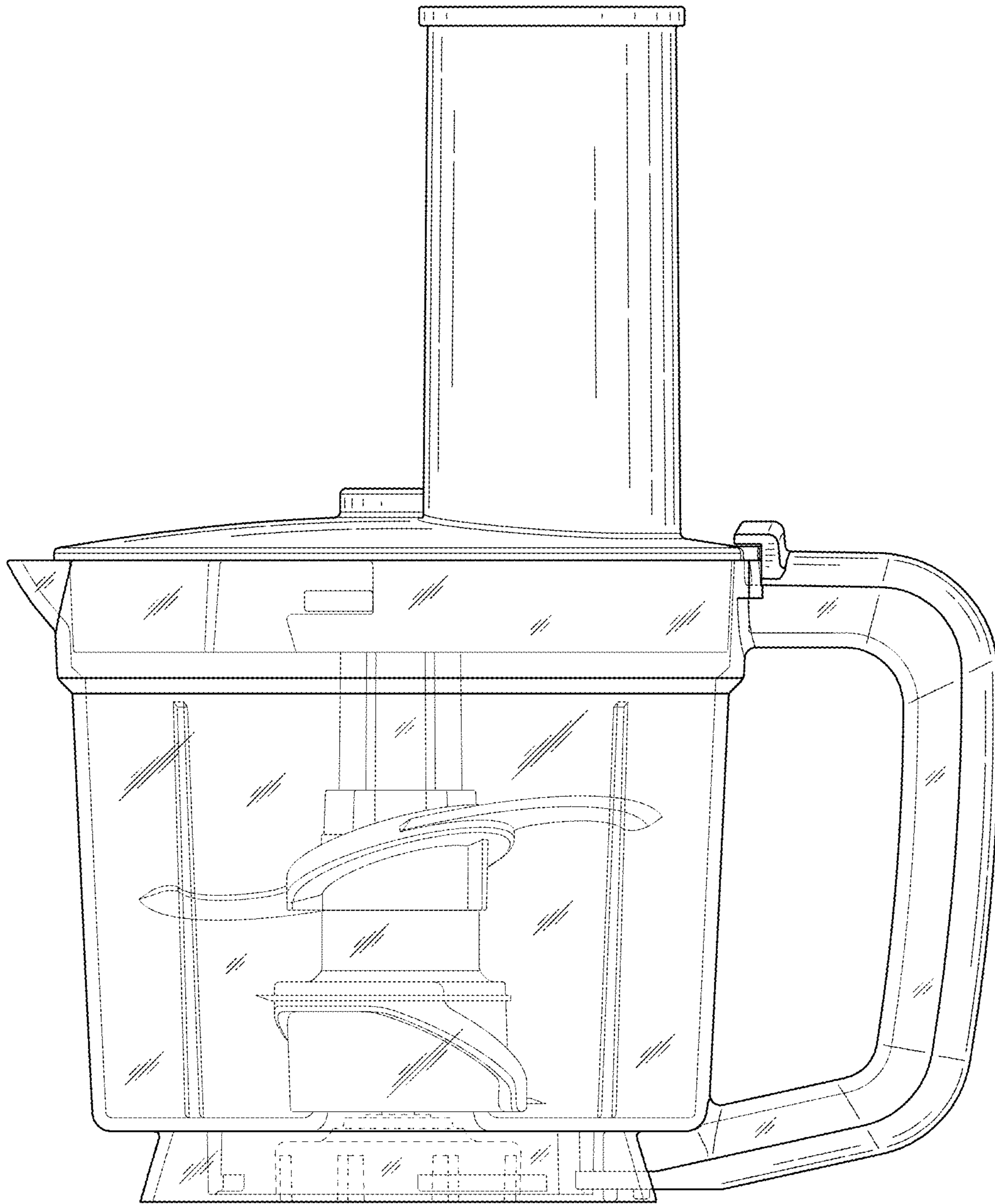


Fig. 7

Fig. 8

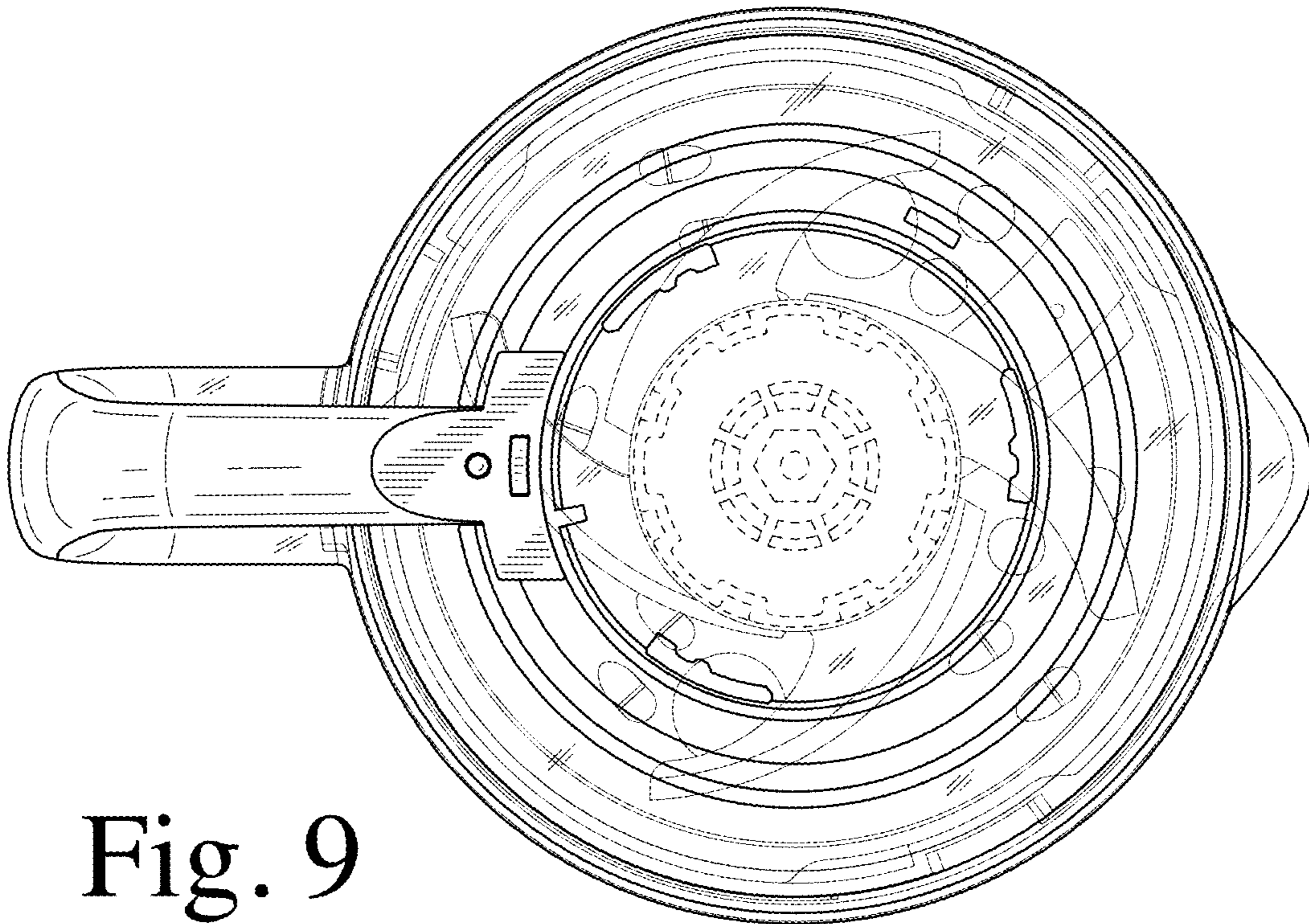
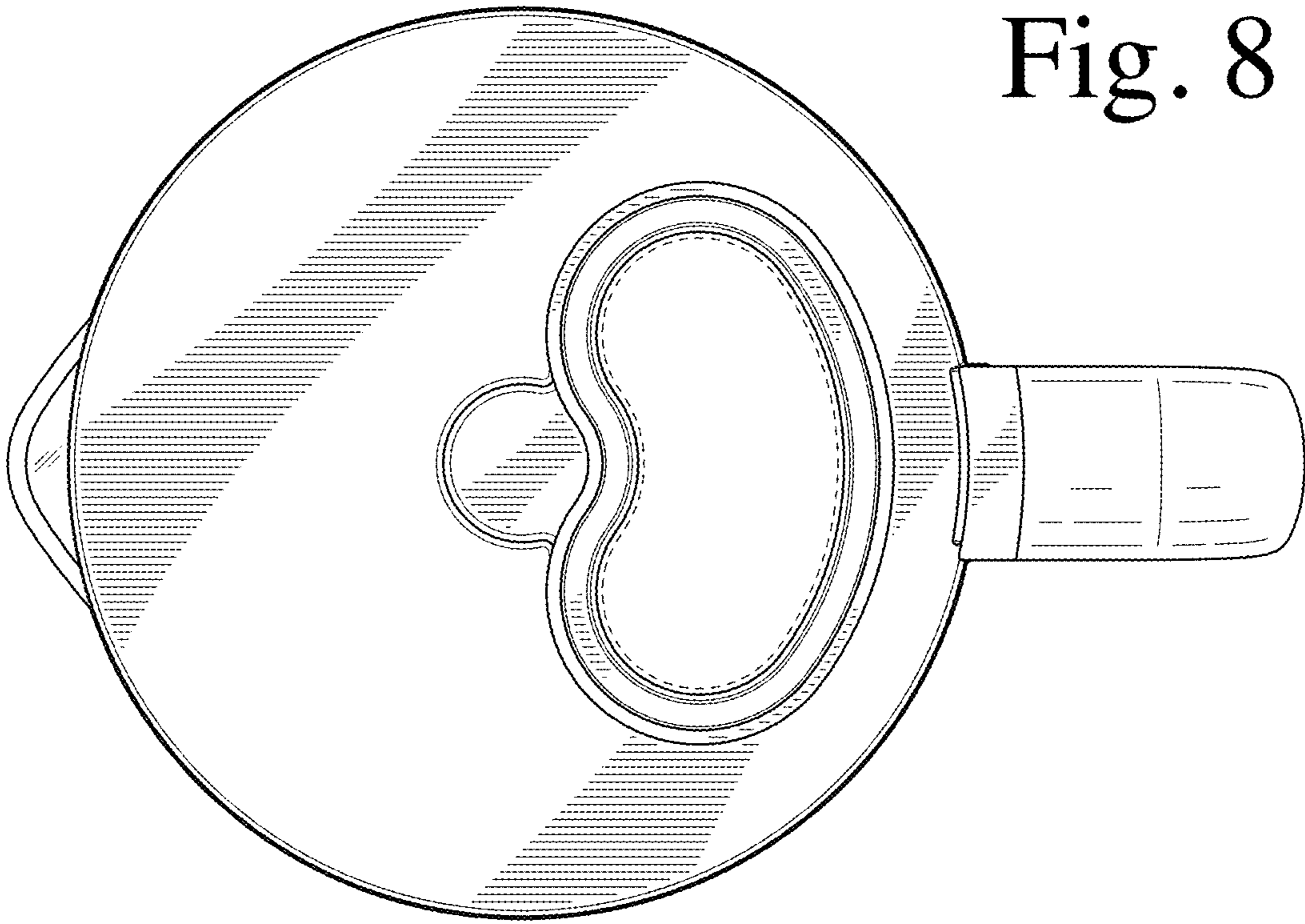


Fig. 9