



US00D892537S

(12) **United States Design Patent**
Watanabe et al.

(10) **Patent No.:** **US D892,537 S**
(45) **Date of Patent:** **** Aug. 11, 2020**

(54) **HEAT RETAINING AND COOKING SAUCEPAN**
(71) Applicant: **TIGER CORPORATION**, Osaka (JP)
(72) Inventors: **Masahiro Watanabe**, Kadoma (JP); **Kanae Tsukamoto**, Kyoto (JP); **Atsuko Mori**, Kadoma (JP)
(73) Assignee: **TIGER CORPORATION**, Kadoma, Osaka (JP)
(**) Term: **15 Years**

6,457,601 B1 * 10/2002 Chappell A47J 36/022
220/495.03
D549,041 S * 8/2007 Kellermann D7/354
D568,677 S * 5/2008 Stattmann D7/360
D618,491 S * 6/2010 Welk D7/354
D646,114 S * 10/2011 Wong D7/354
D667,258 S * 9/2012 Dodane D7/354
D667,273 S * 9/2012 Henry D7/542
D685,604 S * 7/2013 Dang D7/354
D702,990 S * 4/2014 Roussard D7/354
D702,991 S * 4/2014 Roussard D7/354
D809,852 S * 2/2018 Chang D7/360
D829,489 S * 10/2018 Khubani D7/358
D830,107 S * 10/2018 Zhang D7/358

(21) Appl. No.: **35/507,215**
(22) Filed: **Feb. 6, 2019**
(80) **Hague Agreement Data**
Int. Filing Date: **Feb. 6, 2019**
Int. Reg. No.: **DM/202121**
Int. Reg. Date: **Feb. 6, 2019**
Int. Reg. Pub. Date: **Aug. 9, 2019**

(30) **Foreign Application Priority Data**
Aug. 8, 2018 (JP) 2018-017411
(51) **LOC (12) Cl.** **07-02**
(52) **U.S. Cl.**
USPC **D7/360**
(58) **Field of Classification Search**
USPC D7/323, 354, 357, 358, 359, 360
CPC . A47G 19/12; A47J 27/00; A47J 27/08; A47J
27/122
See application file for complete search history.

(56) **References Cited**
U.S. PATENT DOCUMENTS
D295,819 S * 5/1988 Mercadante D7/360
D313,727 S * 1/1991 Gamez D7/359

OTHER PUBLICATIONS

Alyn Griffiths: Maho Nabé cooking pot integrates vacuum technology to keep food hot. Aug. 17, 2019; 16 pages. Found online May 1, 2020 at <https://www.dezeen.com/2019/08/17/maho-nabe-cooking-pot-vacuum-technology-japan/> (Year: 2019).*

* cited by examiner

Primary Examiner — Robert M. Spear
(74) *Attorney, Agent, or Firm* — Manabu Kanesaka

(57) **CLAIM**

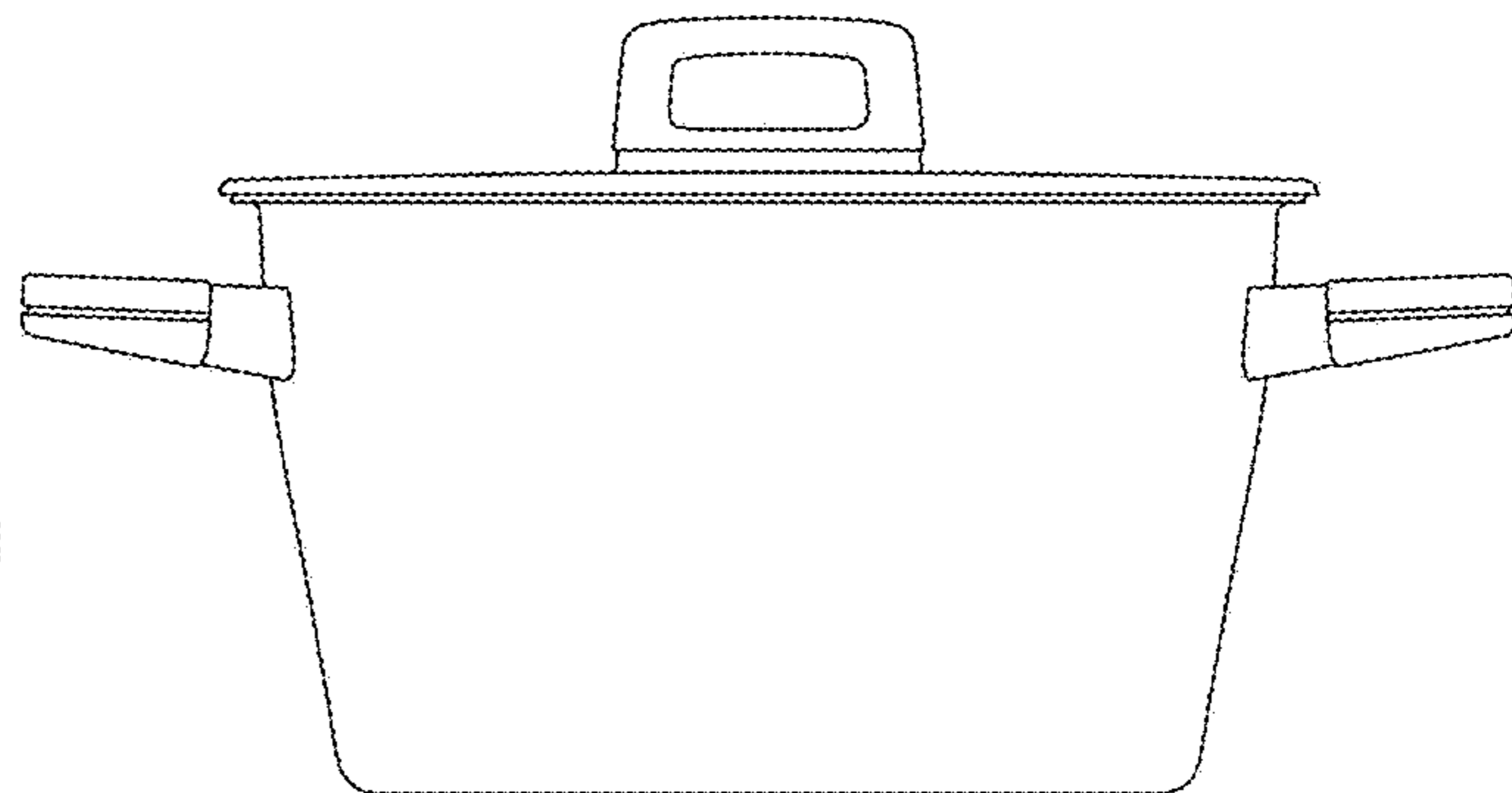
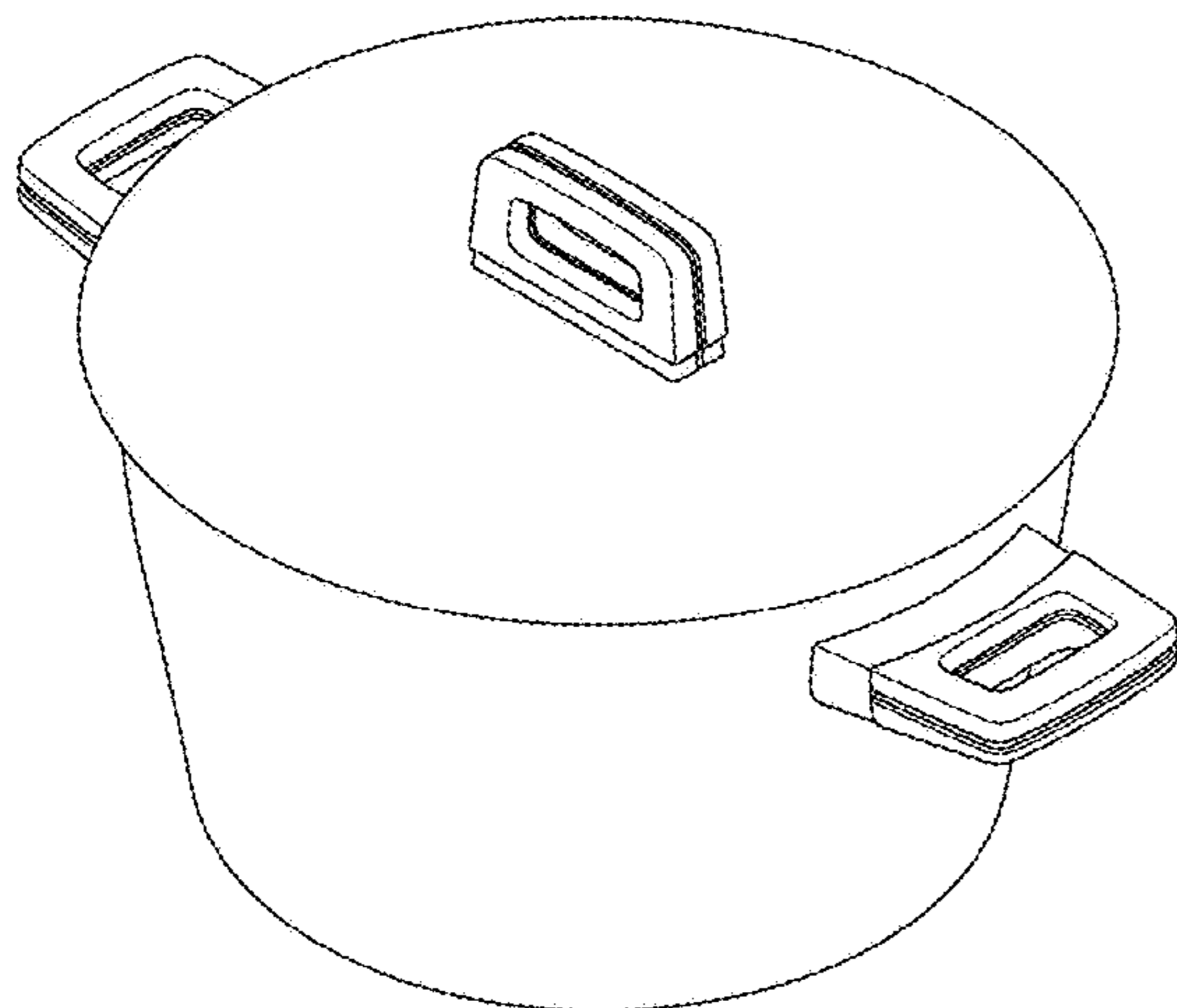
The ornamental design for a heat retaining and cooking saucepan, as shown and described.

DESCRIPTION

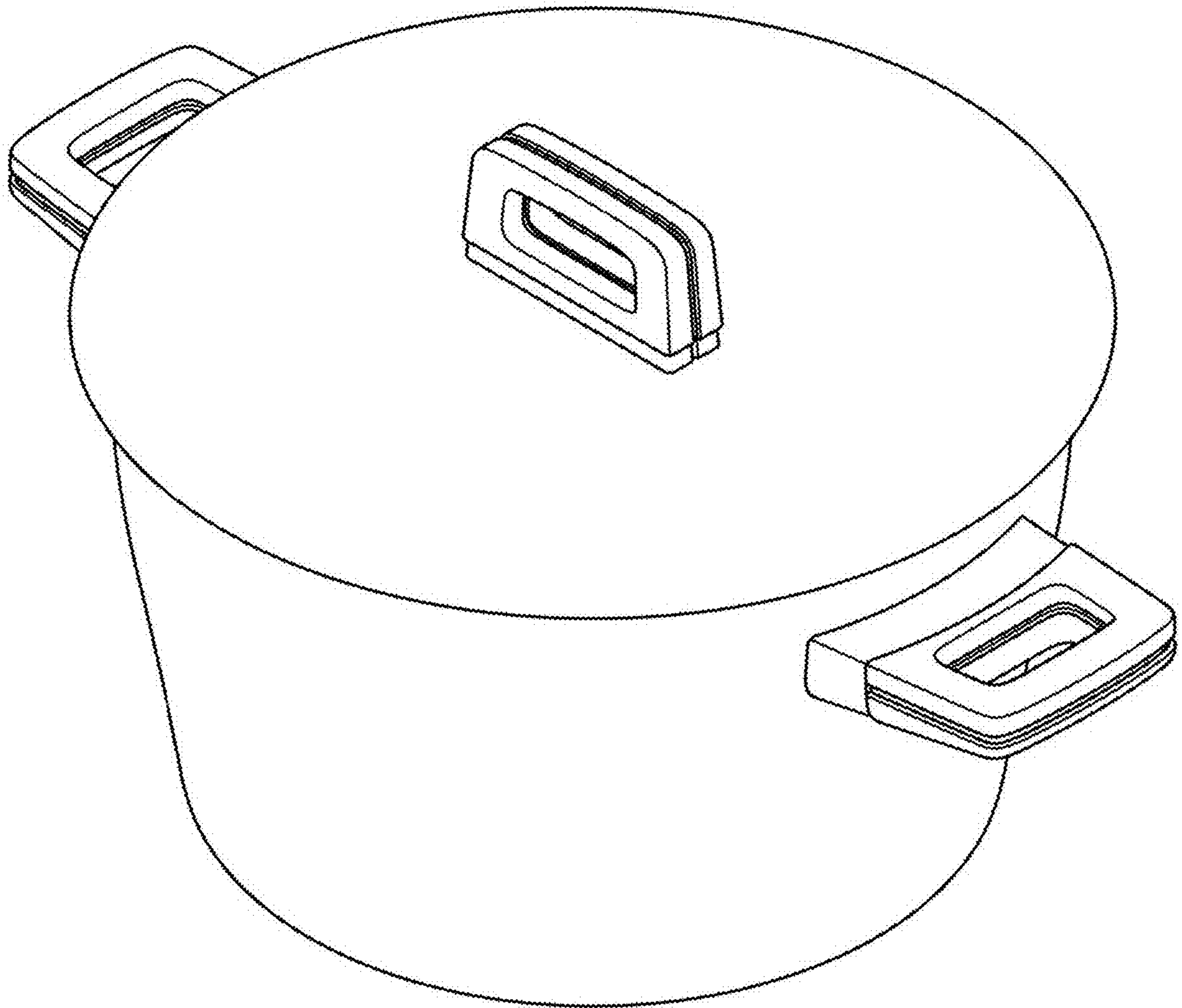
- 1.1: Perspective
- 1.2: Front
- 1.3: Top
- 1.4: Bottom
- 1.5: Left

Fig. 1.1 is a perspective view of the heat retaining and cooking saucepan showing new design; fig. 1.2 is a front elevational view thereof; fig. 1.3 is a top view thereof; fig. 1.4 is a bottom view thereof; fig. 1.5 is left side view thereof.

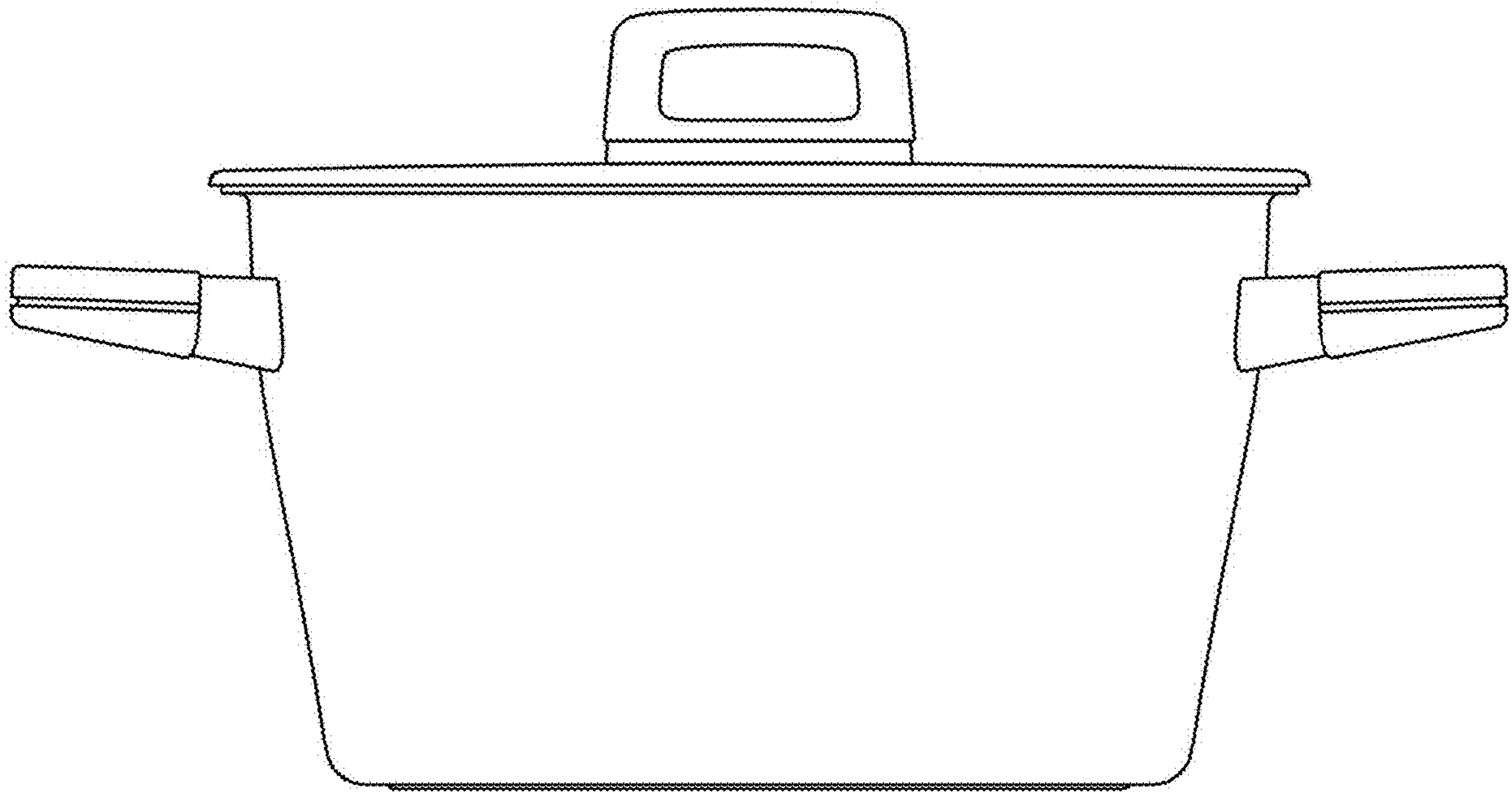
1 Claim, 5 Drawing Sheets



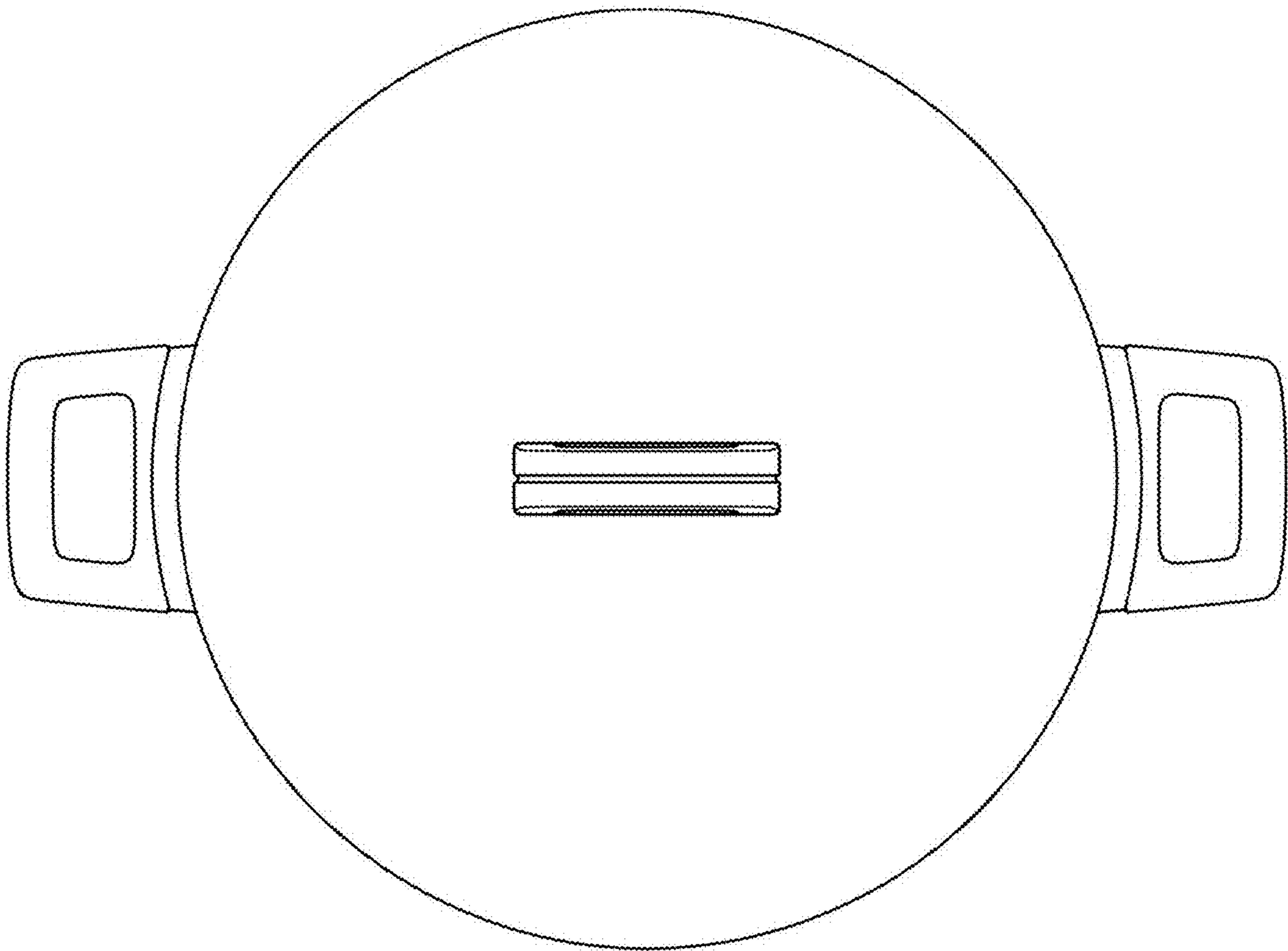
1.1



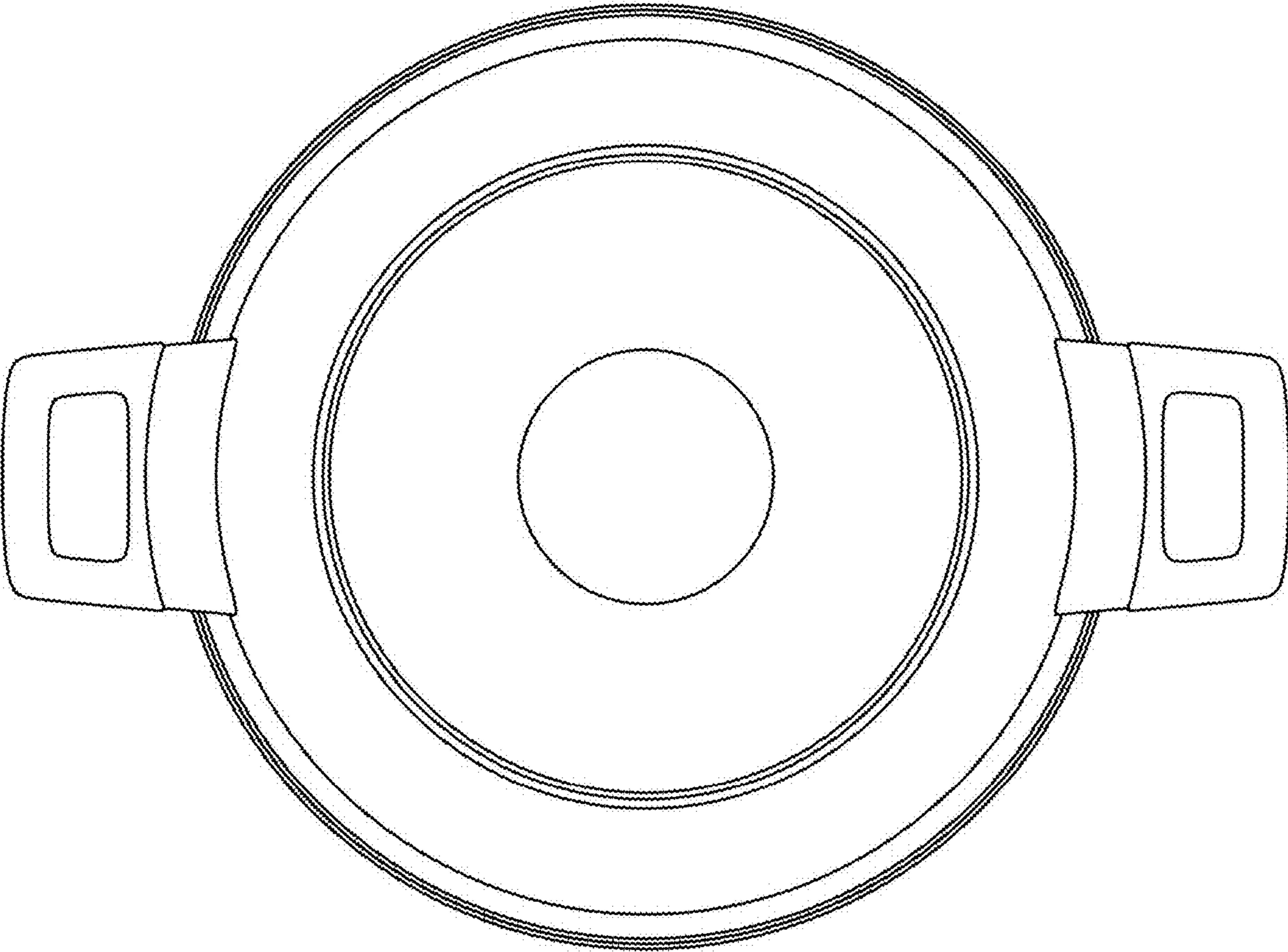
1.2



1.3



1.4



1.5

