



US00D892536S

(12) **United States Design Patent**
Zou

(10) **Patent No.:** **US D892,536 S**
(45) **Date of Patent:** **** Aug. 11, 2020**

(54) **STAINLESS STEEL EGG BITE MOLD**

(71) Applicant: **Shouqing Zou**, Shenzhen (CN)

(72) Inventor: **Shouqing Zou**, Shenzhen (CN)

(**) Term: **15 Years**

(21) Appl. No.: **29/734,160**

(22) Filed: **May 9, 2020**

(51) **LOC (12) Cl.** **07-02**

(52) **U.S. Cl.**
USPC **D7/357**; D7/354

(58) **Field of Classification Search**
USPC D7/323, 354–361, 402, 500, 503,
D7/610–611; D9/758
CPC A01K 41/02; A01K 41/023; A01K 41/026;
A01K 41/06; A21B 5/02; A21B 5/026;
A21B 5/04; A23B 5/00; A23B 5/005;
A23B 5/0052; A47G 19/28; A47J 27/00;
A47J 27/004; A47J 29/00; A47J 29/02;
A47J 29/04; A47J 29/06; A47J 36/025;
A47J 36/06; A47J 36/12; A47J 36/24;
A47J 37/0694; B28B 7/241; B65D
25/108

See application file for complete search history.

(56) **References Cited**

U.S. PATENT DOCUMENTS

323,887	A *	8/1885	Rutter	B28B 7/241 249/119
972,078	A *	10/1910	Harrison	A47J 37/0694 99/426
1,184,811	A *	5/1916	Berger	A47J 29/06 99/440
1,250,888	A *	12/1917	Johnson	A47G 19/28 211/14
D122,175	S *	8/1940	Wagner	D7/611
D176,971	S *	2/1956	Beinert	D7/402
2,740,546	A *	4/1956	Kowalski	B65D 25/108 220/23.88
3,034,496	A *	5/1962	Greenwald	A47J 36/24 126/261

D255,400	S	6/1980	McCroskery et al.	
D317,548	S *	6/1991	Yeh D7/354
D323,424	S	1/1992	Beiler et al.	
D356,716	S *	3/1995	Dornbush D7/357
D572,539	S *	7/2008	Swinford D7/610
D804,325	S *	12/2017	Thompson D9/758
D863,864	S *	10/2019	Armistead D7/357

OTHER PUBLICATIONS

Kspowwin Silicone Egg Bites Molds With Stainless Steel Egg Steamer Rack for Instant Pot Accessories Fits Instant Pot 5/6/8 qt Pressure Cooker (Green) https://www.amazon.com/Kspowwin-inoxidable-vaporizador-accesorios-instant%C3%A1nea/dp/B07BRKYHMX/ref=sr_1_1?dchild=1&keywords=Stainless%2BSteel%2Begg%2Bbite%2Bmold&qid=1588997520&sr=8-1&th=1 (Year 2018).

Eggssentials Poached Egg Maker—Nonstick 6 Egg Poaching Cups—Stainless Steel Egg Poacher Pan FDA Certified Food Grade Safe PFOA Free with Bonus Spatula https://www.amazon.com/Eggssentials-Poached-Egg-Maker-Stainless/dp/B078GXJQNN/ref=sr_1_32?dchild=1&keywords=Stainless%2BSteel%2Begg%2Bbite%2Bmold&qid=1589003120&sr=8-32&th=1 (Year 2017).

* cited by examiner

Primary Examiner — Ricky Pham

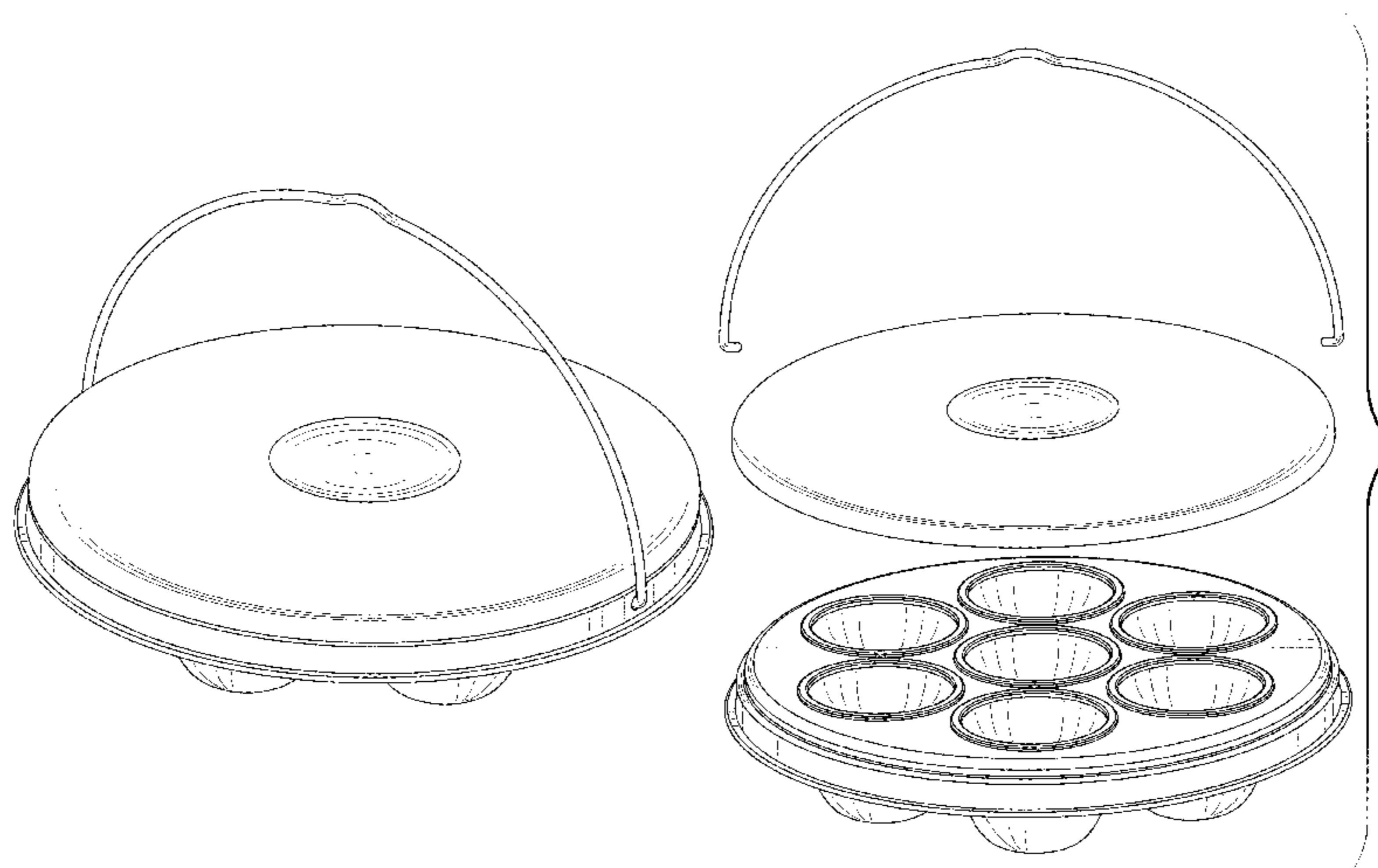
(57) **CLAIM**

The ornamental design for a stainless steel egg bite mold, as shown and described.

DESCRIPTION

FIG. 1 is a perspective view of a stainless steel egg bite mold showing my new design;
FIG. 2 is a front elevational view thereof;
FIG. 3 is a rear elevational view thereof;
FIG. 4 is a left side elevational view thereof;
FIG. 5 is a right side elevational view thereof;
FIG. 6 is a top plan view thereof;
FIG. 7 is a bottom plan view thereof;
FIG. 8 is another perspective view thereof; and,
FIG. 9 is an exploded perspective view in opened condition.

1 Claim, 9 Drawing Sheets



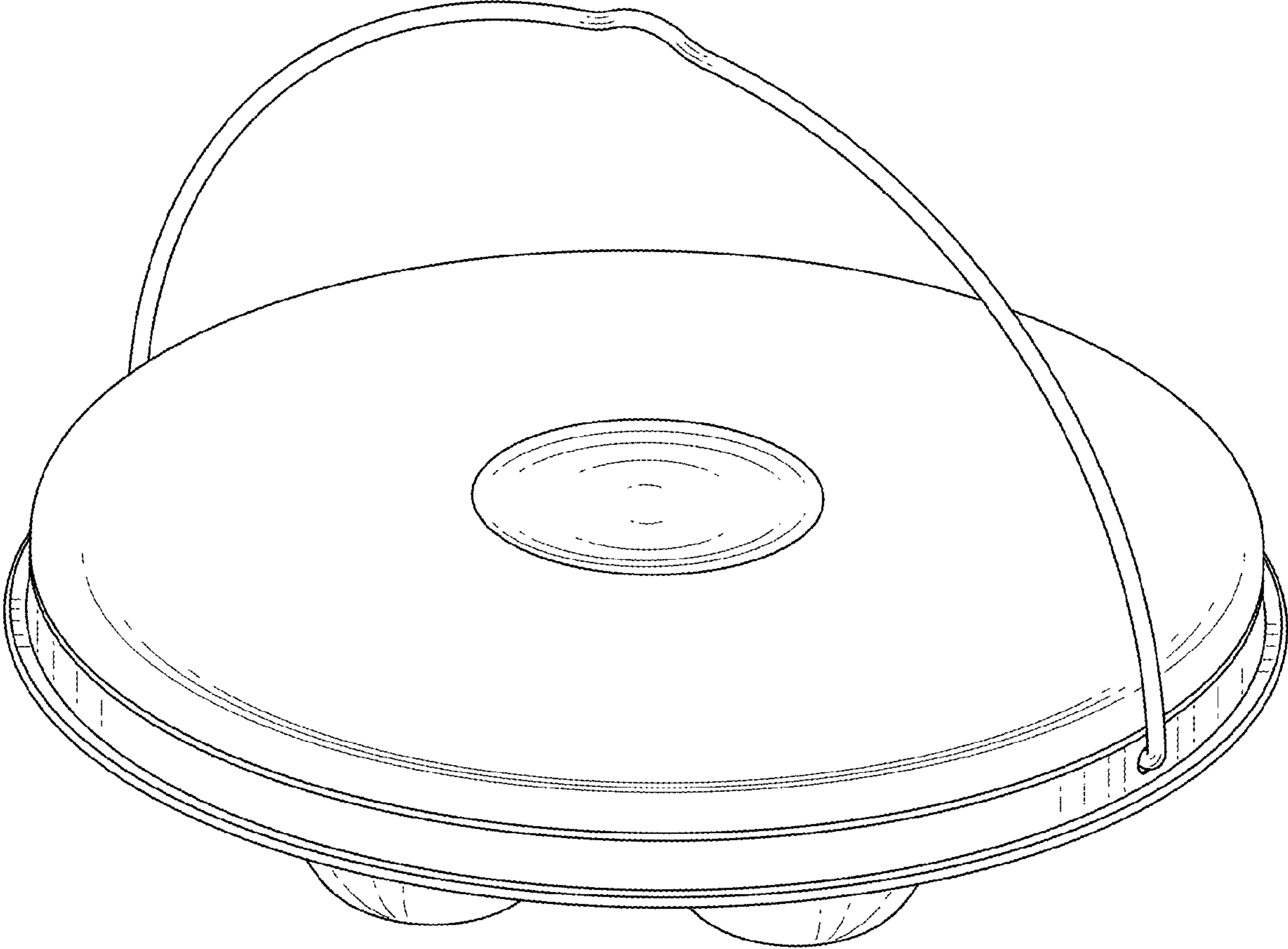


FIG.1

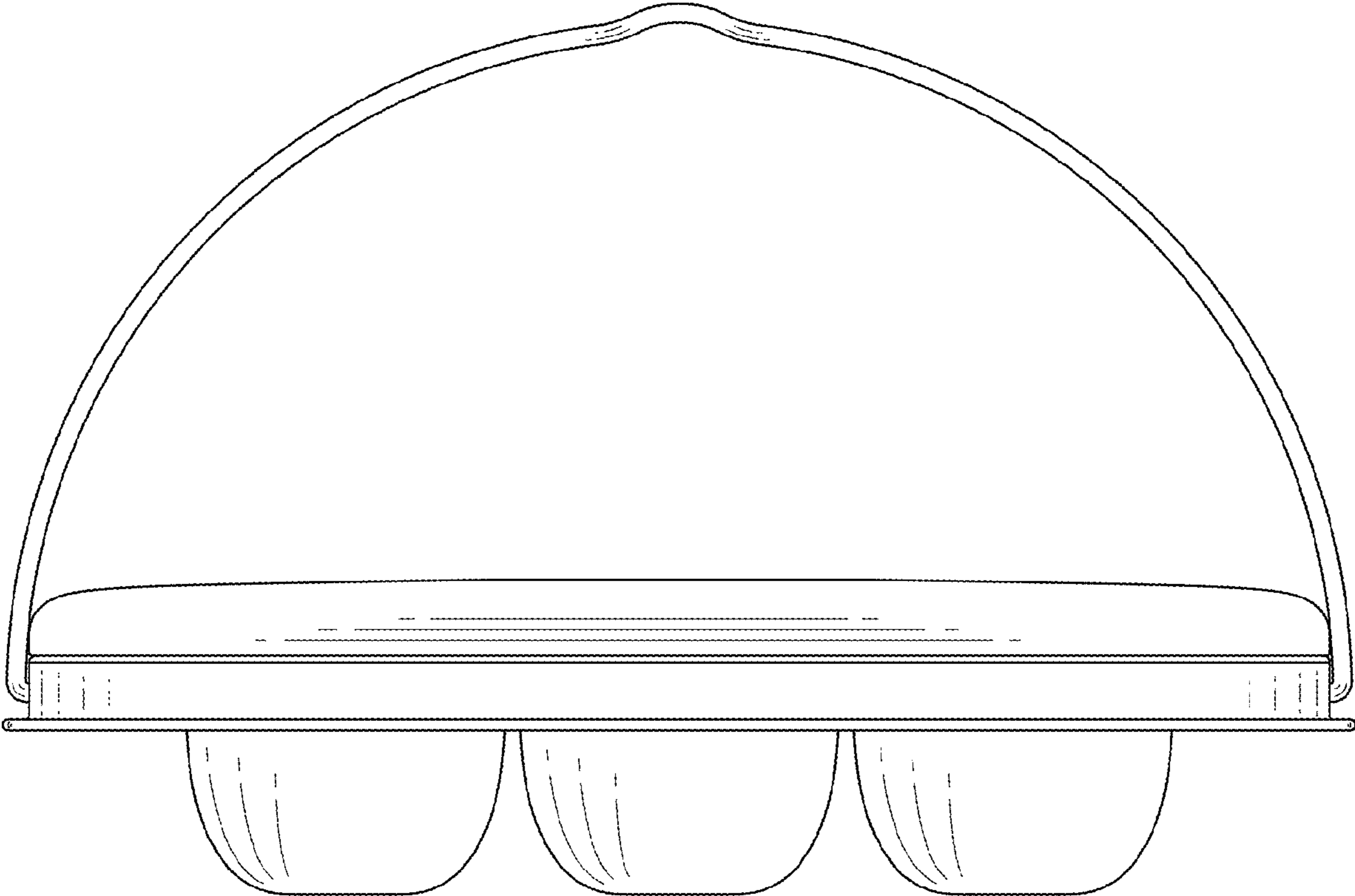


FIG.2

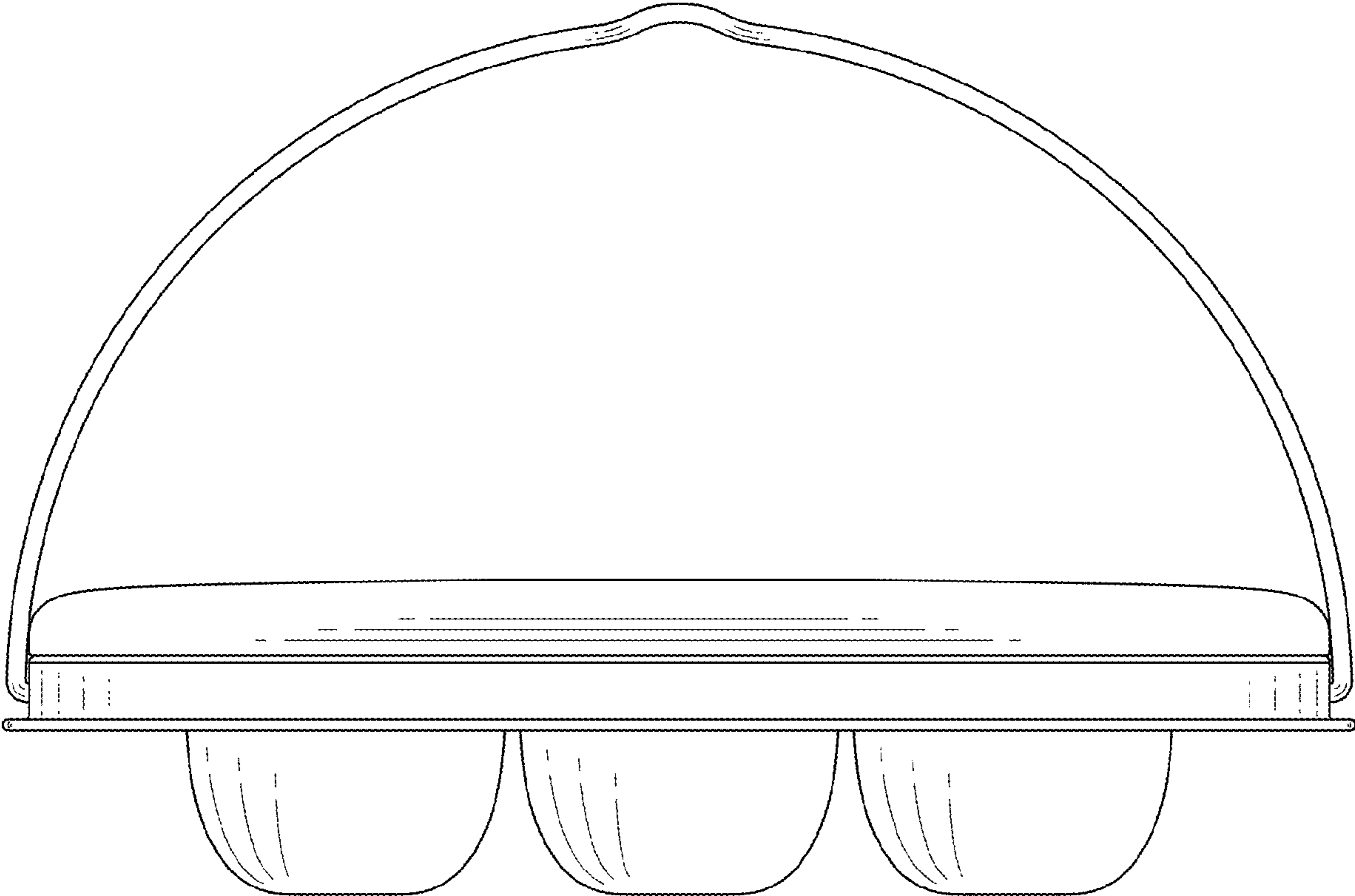


FIG.3

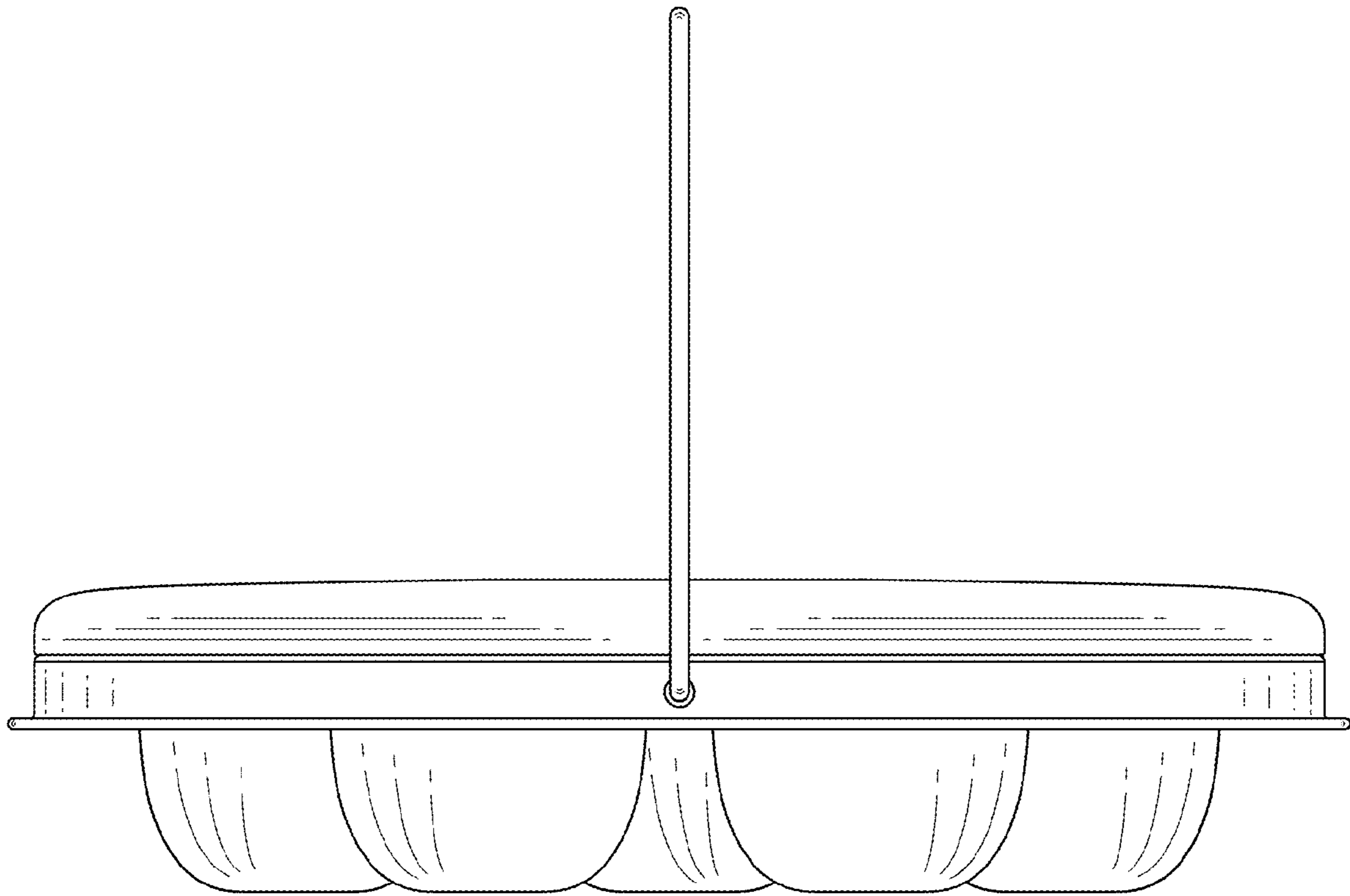


FIG. 4

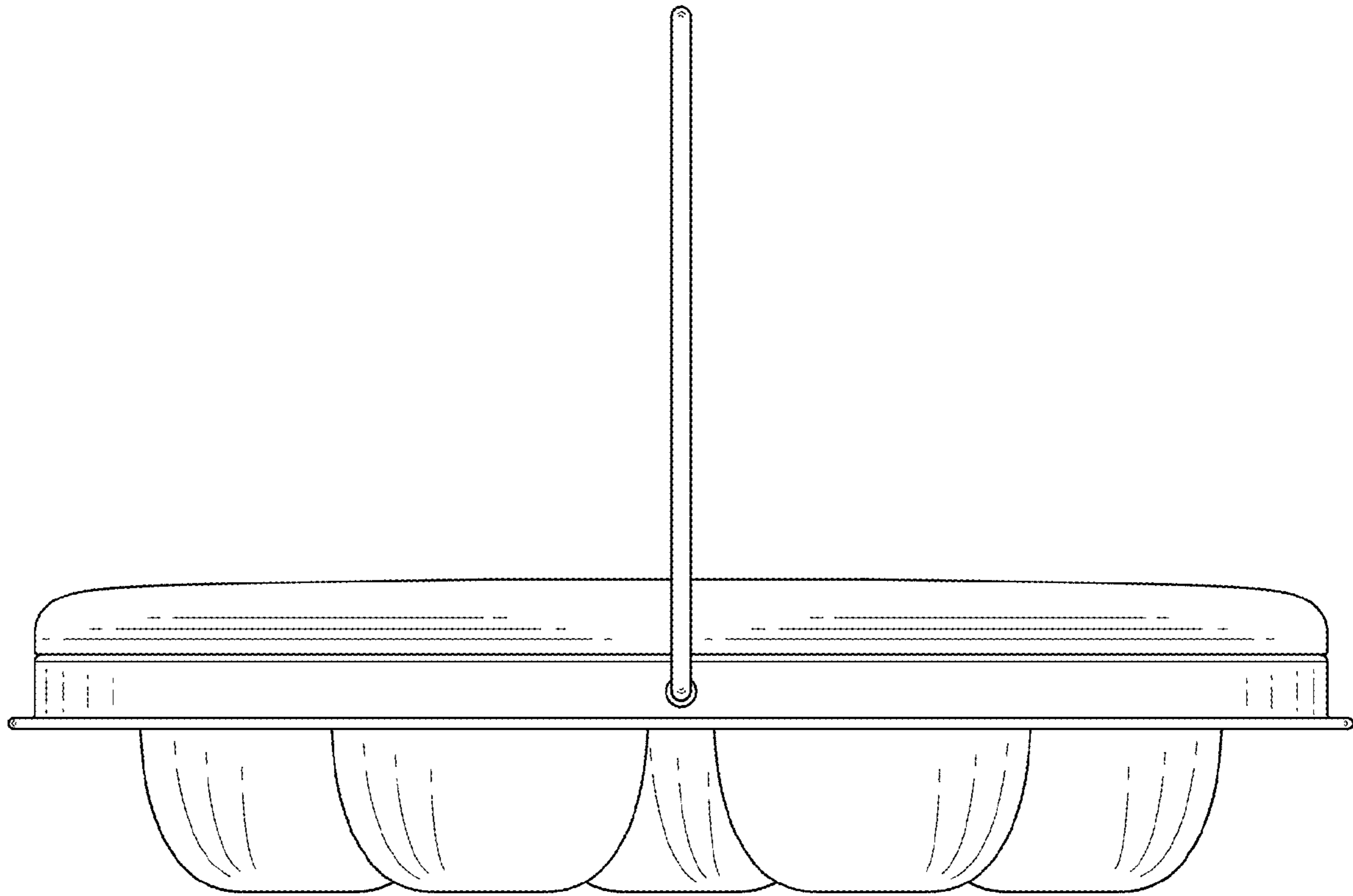


FIG.5

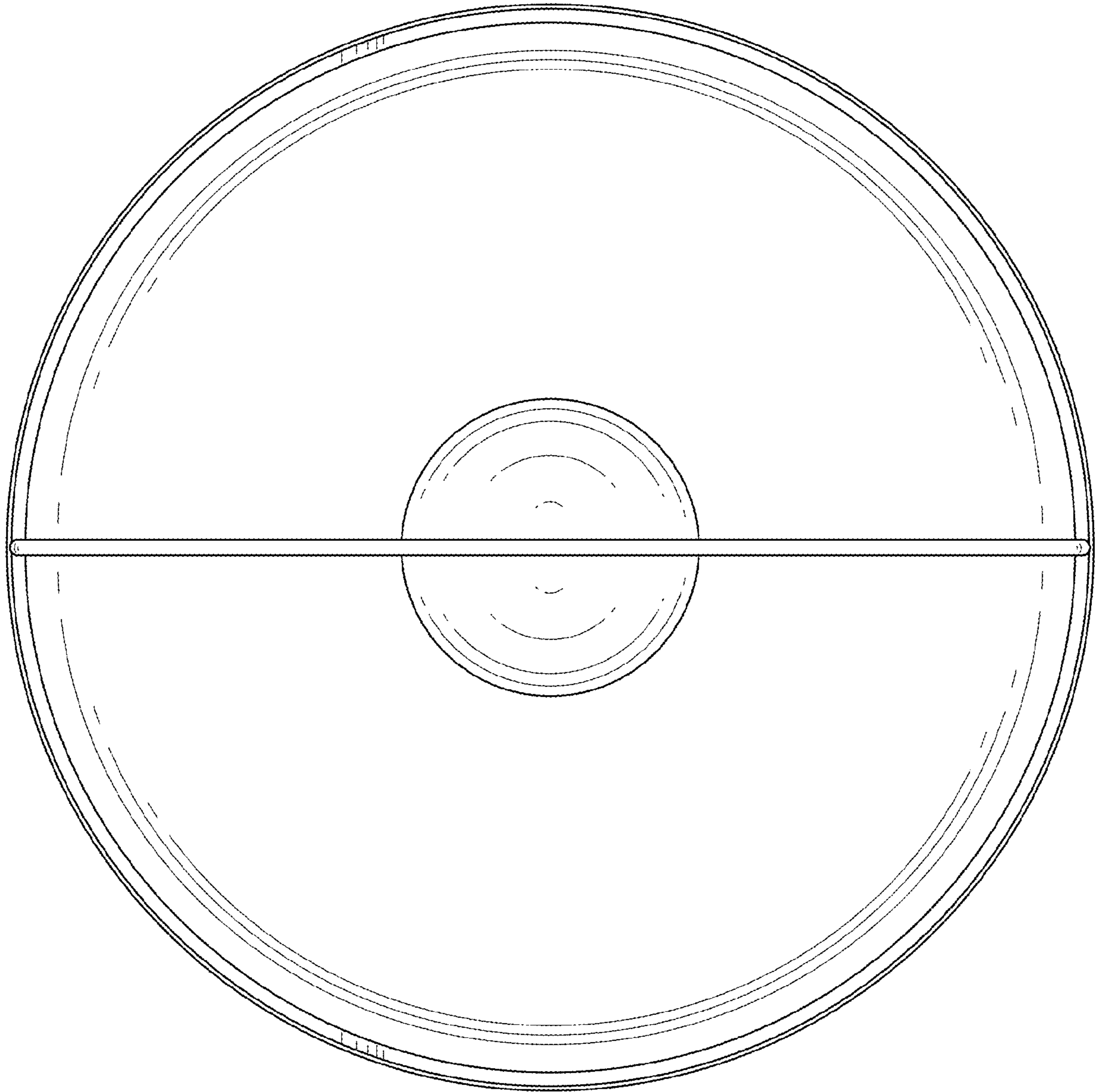


FIG.6

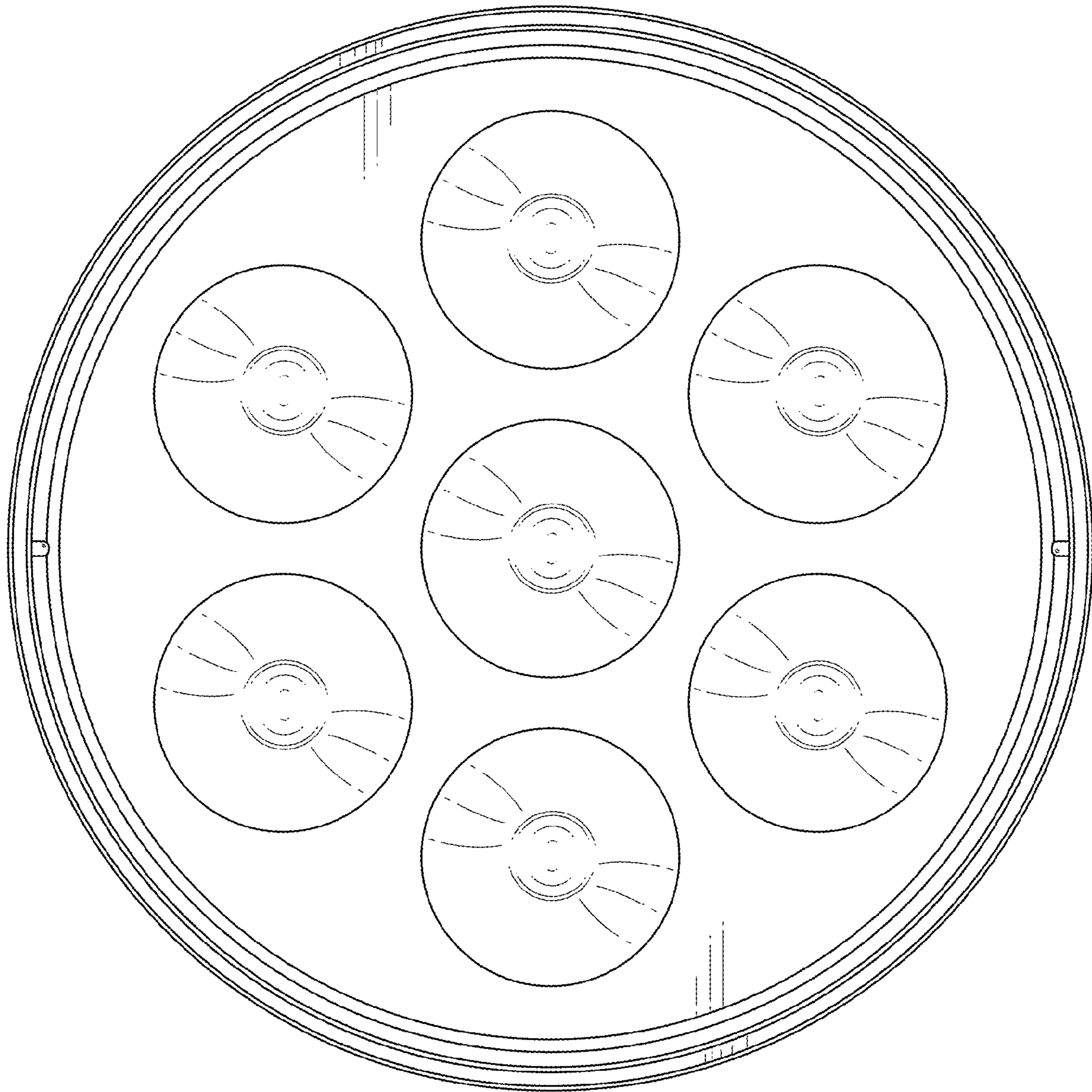


FIG.7

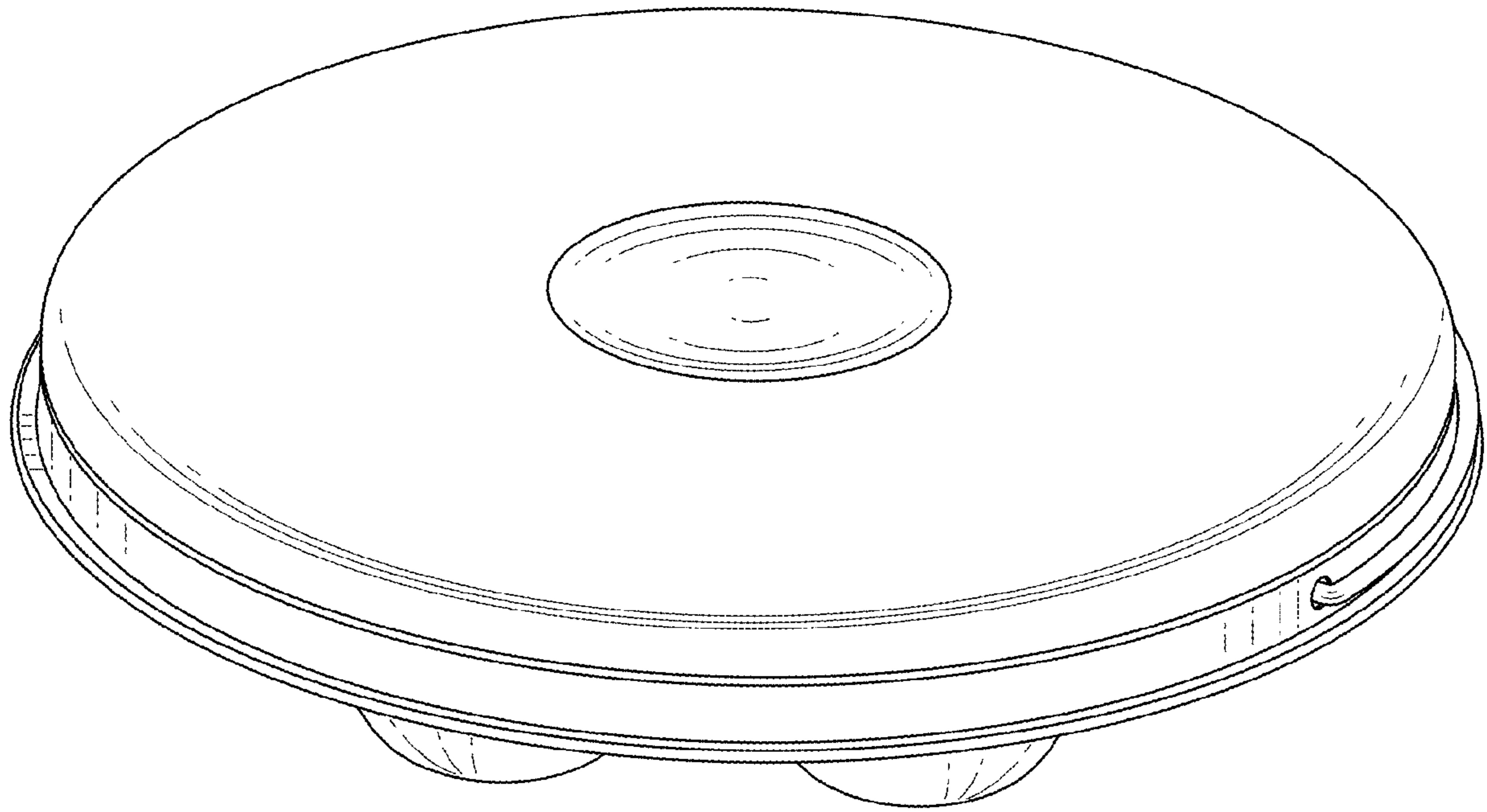


FIG.8

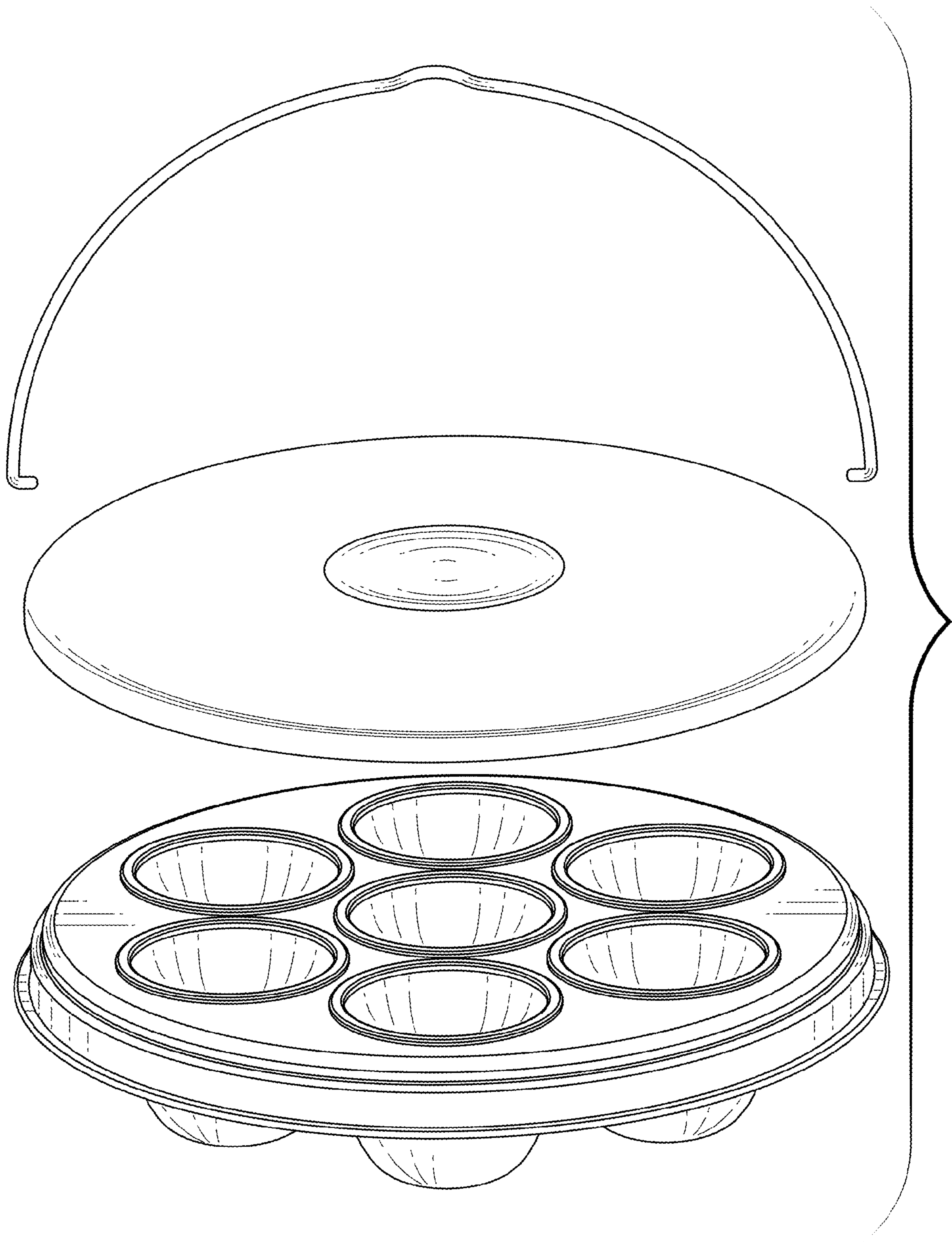


FIG.9