

US00D892533S

(12) **United States Design Patent**
Binggan

(10) **Patent No.:** **US D892,533 S**

(45) **Date of Patent:** **** Aug. 11, 2020**

(54) **PORTABLE OUTDOOR GAS GRILL**

(71) Applicant: **Guangzhou Hengfu Hardware Technology Co., Ltd., Guangzhou (CN)**

(72) Inventor: **Wang Binggan, Guangzhou (CN)**

(73) Assignee: **Guangzhou Hengfu Hardware Technology Co., Ltd., Guangzhou (CN)**

(**) Term: **15 Years**

(21) Appl. No.: **29/654,027**

(22) Filed: **Jun. 20, 2018**

(30) **Foreign Application Priority Data**

Dec. 29, 2017 (CN) 2017 3 0682221

(51) **LOC (12) Cl.** **07-02**

(52) **U.S. Cl.**
USPC **D7/337**

(58) **Field of Classification Search**

USPC D7/332-337, 402-409; 126/25 R
CPC A47J 37/07-0786; A47J 33/00; A47J
2037/0777; A47J 2037/0795; A23B
4/044-056

See application file for complete search history.

(56) **References Cited**

U.S. PATENT DOCUMENTS

D457,776 S * 5/2002 DeMars D7/332
D474,063 S * 5/2003 Eisinger D7/334

D747,910 S * 1/2016 Costa D7/337
D780,502 S * 3/2017 Gloger D7/334
D801,745 S * 11/2017 Costa D7/337
D815,876 S * 4/2018 Stanton D7/334
D815,877 S * 4/2018 Stanton D7/337
D842,637 S * 3/2019 Mansueto D7/334
D844,363 S * 4/2019 Lira-Nunez D7/337
2004/0112364 A1 * 6/2004 Johnson A47J 37/0704
126/41 R
2004/0112365 A1 * 6/2004 Johnson A47J 37/0713
126/41 R
2014/0251160 A1 * 9/2014 Contarino, Jr. A47J 37/0786
99/341

* cited by examiner

Primary Examiner — Brett Miller

(74) *Attorney, Agent, or Firm* — Bay State IP, LLC

(57) **CLAIM**

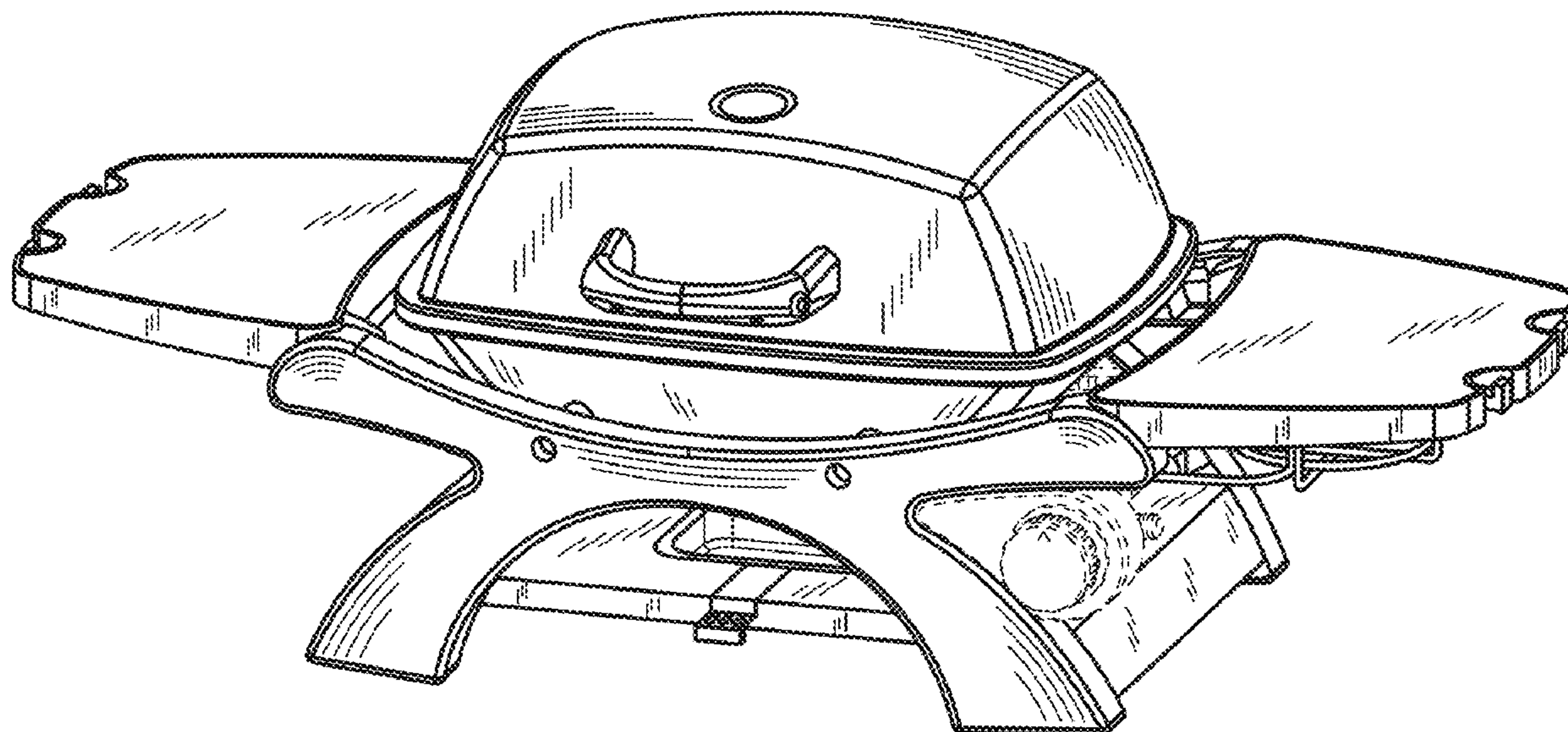
The ornamental design for a portable outdoor gas grill, as shown and described.

DESCRIPTION

FIG. 1 is a perspective view of the portable outdoor gas grill showing our new design;
FIG. 2 is a front view thereof;
FIG. 3 is a back view thereof;
FIG. 4 is a right side view thereof;
FIG. 5 is a left side view thereof;
FIG. 6 is a top view thereof; and,
FIG. 7 is a bottom view thereof.

The broken lines depict portions of the grill that form no part of the claimed design.

1 Claim, 4 Drawing Sheets



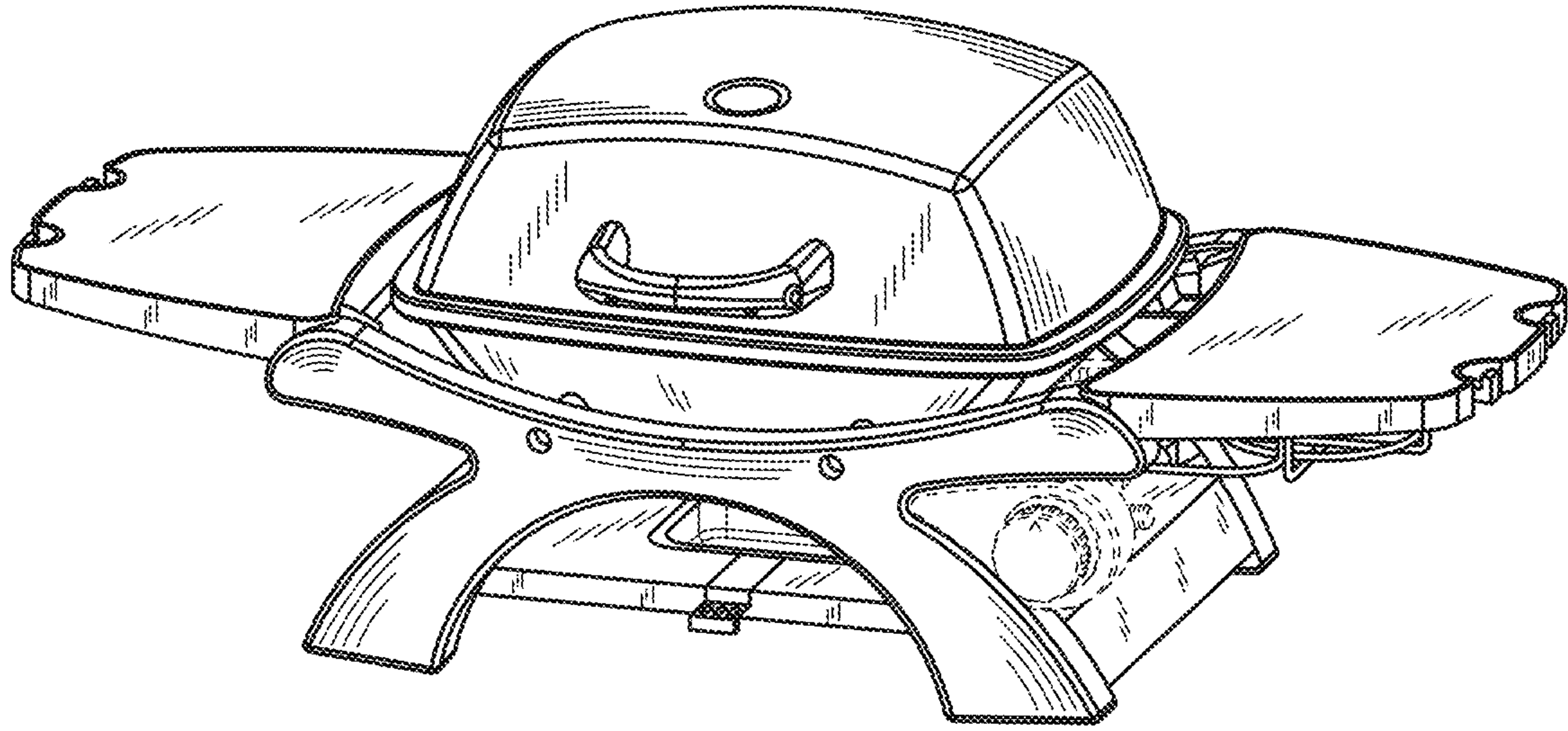


FIG. 1

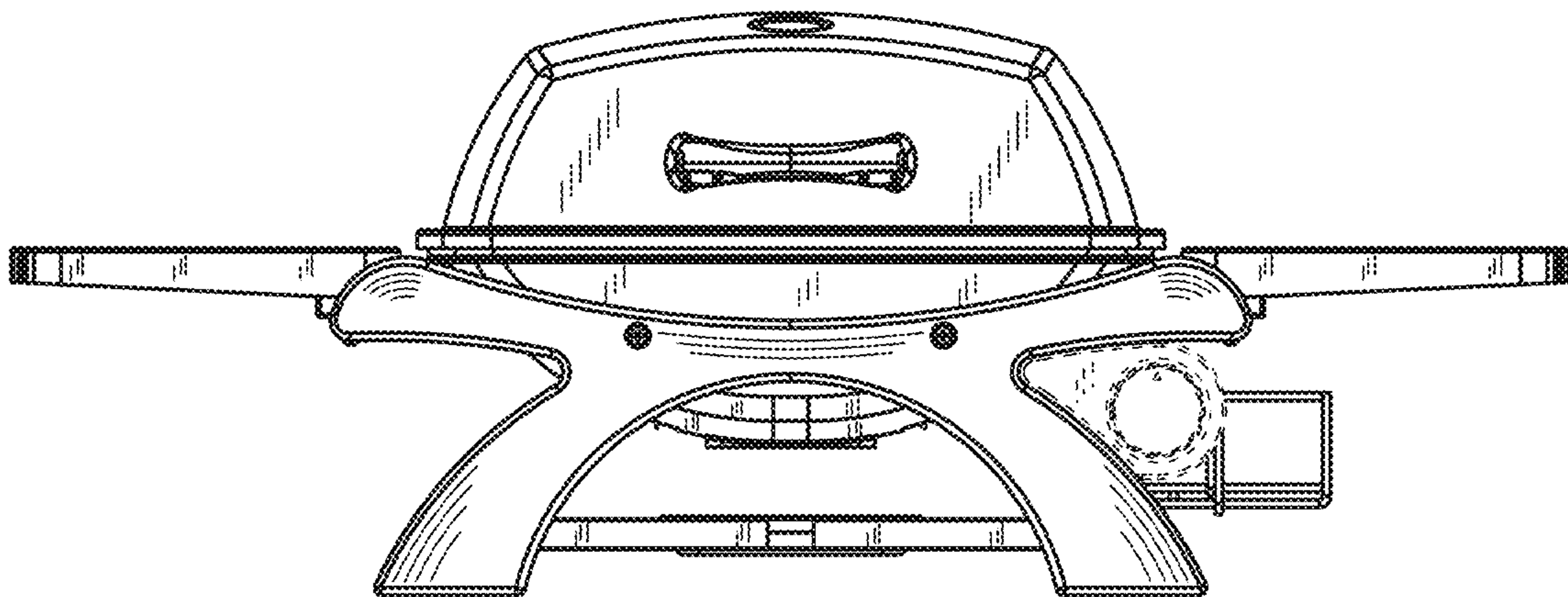


FIG. 2

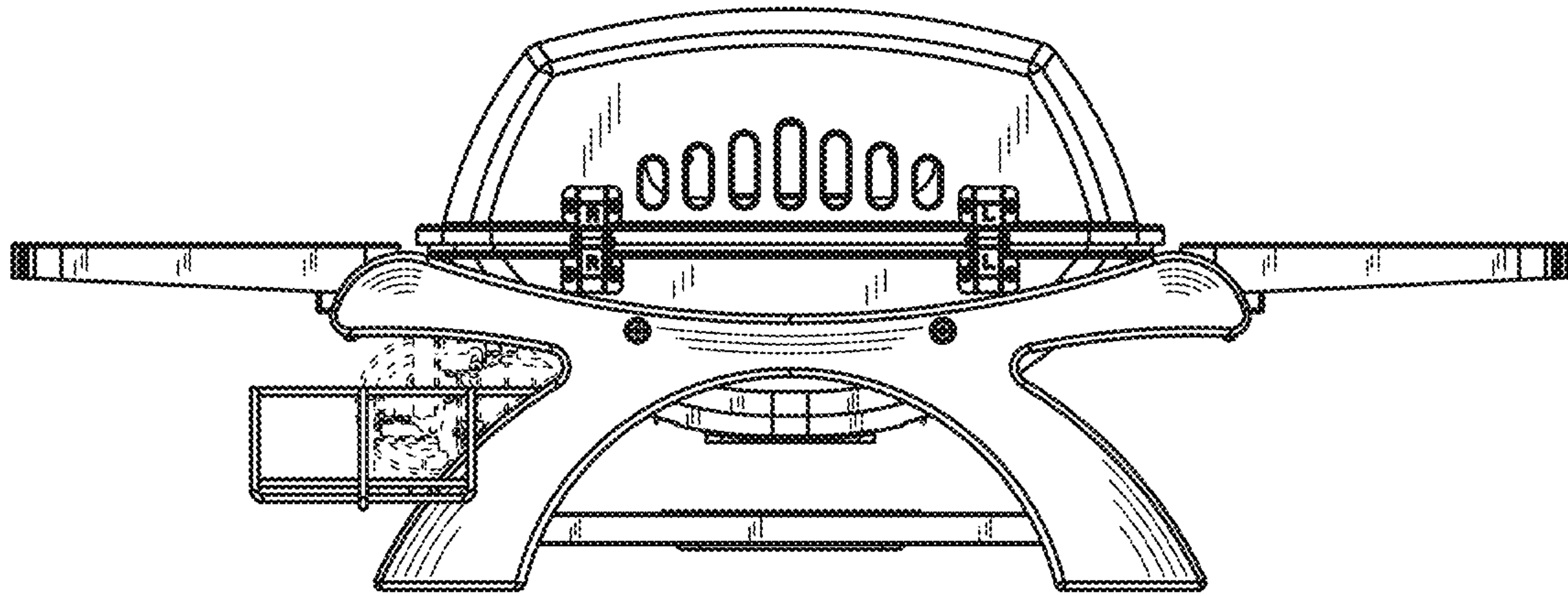


FIG. 3

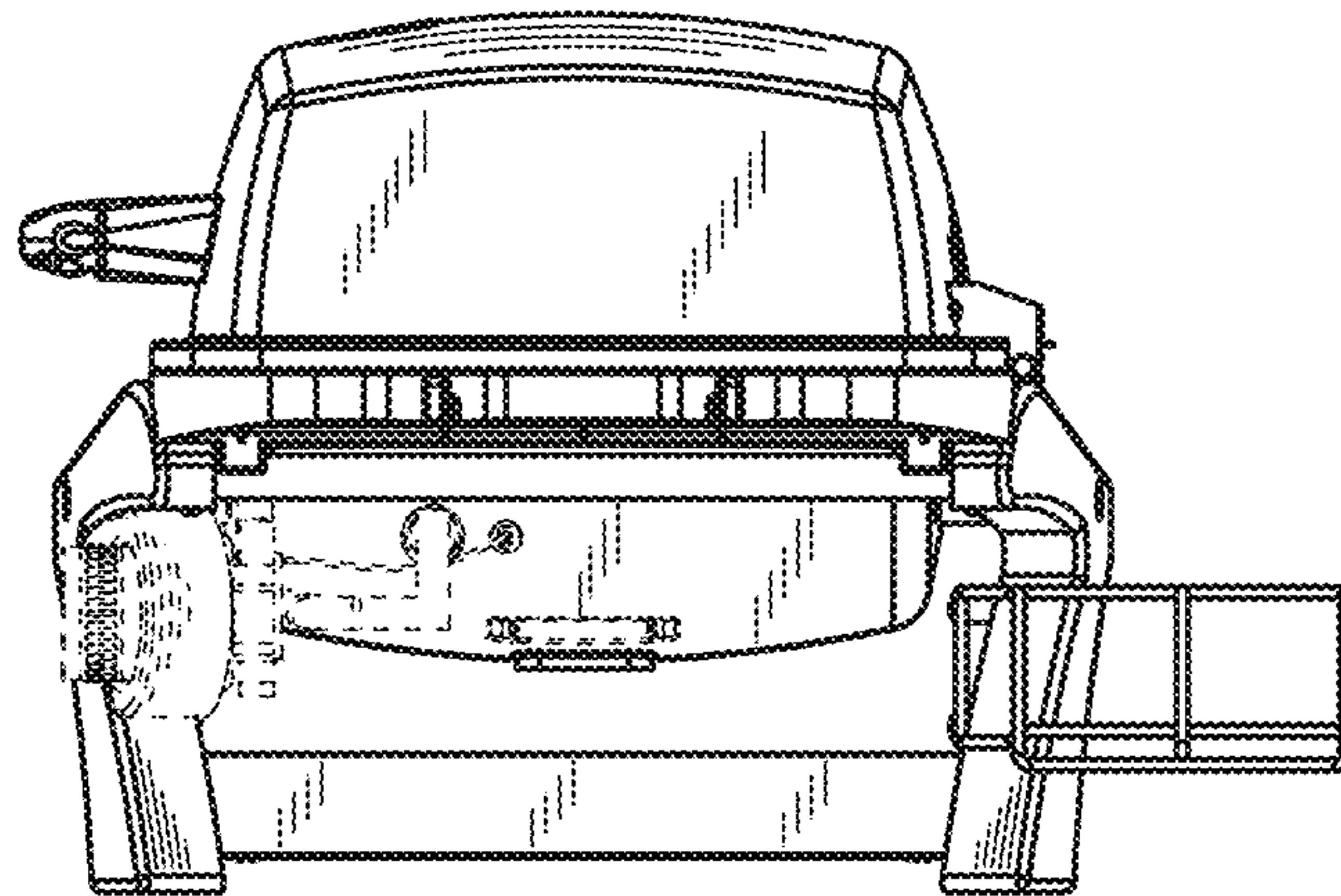


FIG. 4

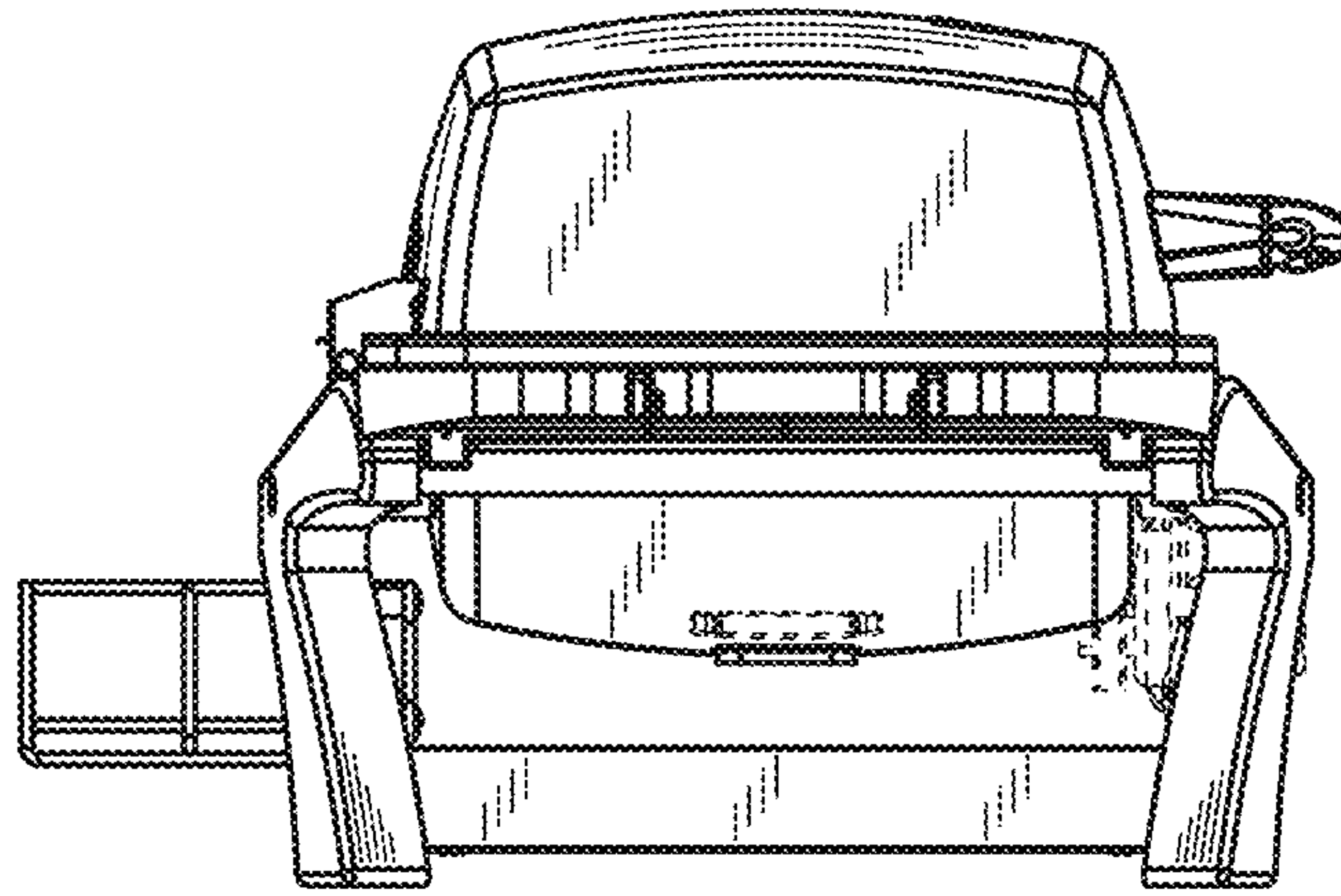


FIG. 5

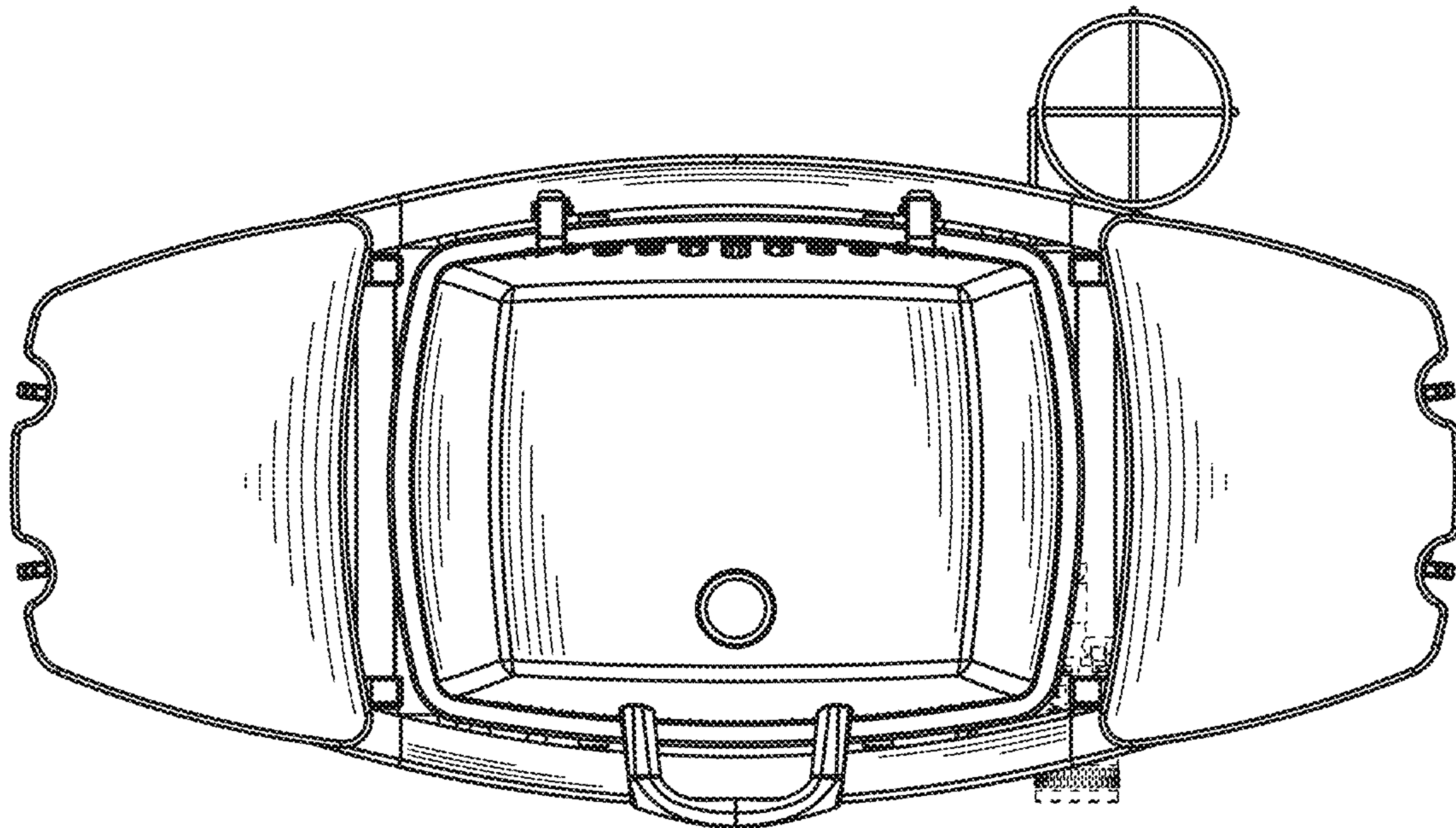


FIG. 6

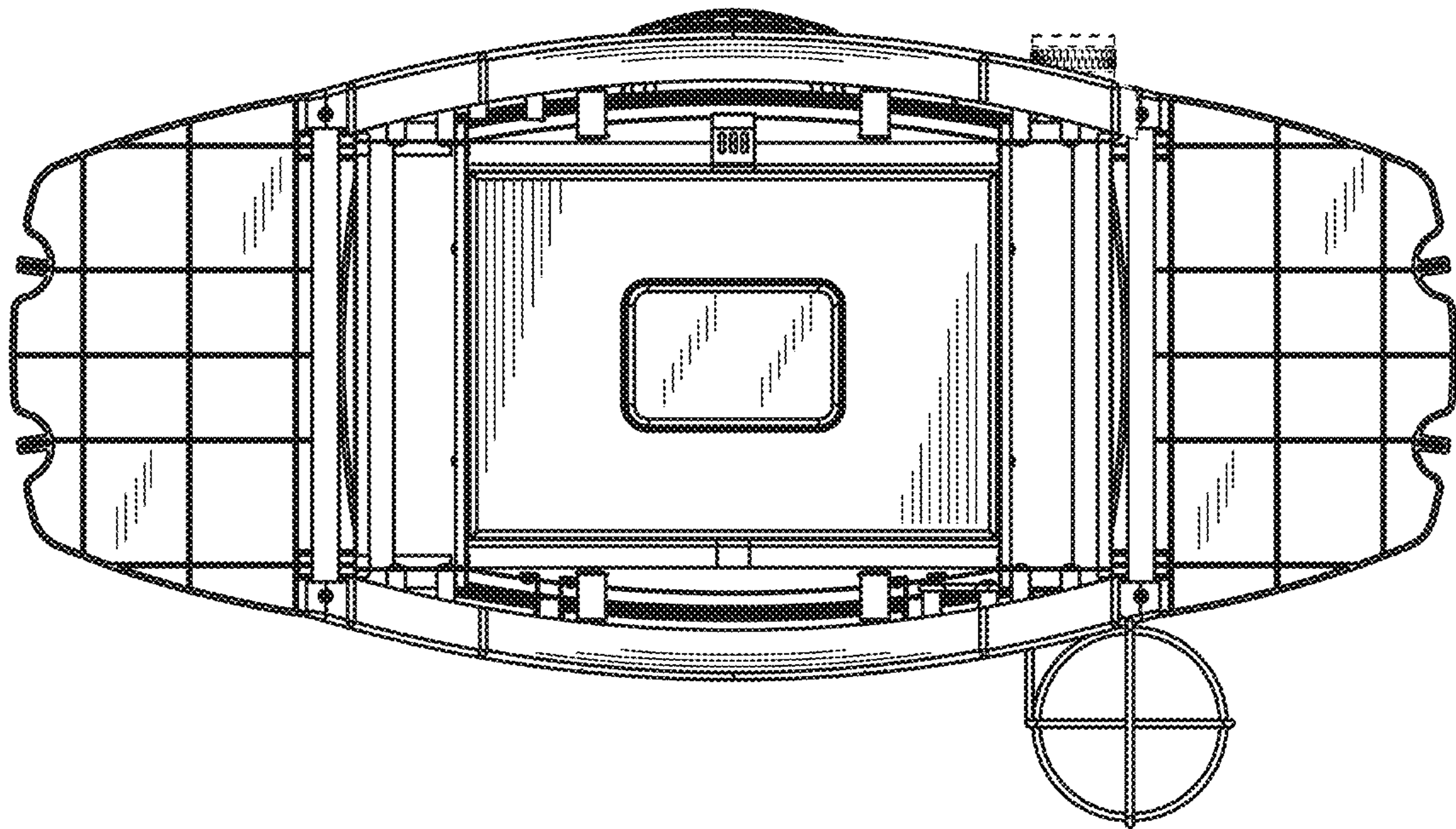


FIG. 7