



US00D892532S

(12) **United States Design Patent**
Gushwa et al.

(10) **Patent No.:** **US D892,532 S**

(45) **Date of Patent:** **** Aug. 11, 2020**

- (54) **OVEN**
- (71) Applicant: **WHIRLPOOL CORPORATION**,
Benton Harbor, MI (US)
- (72) Inventors: **David J. Gushwa**, Mishawaka, IN
(US); **John W. McConnell**, St. Joseph,
MI (US); **Mansour Ourasanah**,
Chicago, IL (US)
- (73) Assignee: **Whirlpool Corporation**, Benton
Harbor, MI (US)
- (**) Term: **15 Years**
- (21) Appl. No.: **29/713,770**
- (22) Filed: **Nov. 19, 2019**

Related U.S. Application Data

(62) Division of application No. 29/653,942, filed on Jun. 20, 2018, now Pat. No. Des. 870,503.

(51) **LOC (12) Cl.** **07-02**

(52) **U.S. Cl.**
USPC **D7/328**

(58) **Field of Classification Search**

USPC D7/323, 328–330, 339–349, 350.1, 390,
D7/402–406; D8/300–306

CPC ... A21B 2/00; A47J 37/00; A47J 37/06; A47J
37/0611; A47J 37/08; A47J 37/0807;
A47J 37/0814; A47J 37/0835; A47J
37/0842; A47J 37/085; A47J 37/0864;
A47J 37/0878; A47J 37/0885; A47J
37/0892; F24C 15/10; F24C 15/12; F24C
15/102

See application file for complete search history.

(56) **References Cited**

U.S. PATENT DOCUMENTS

D305,597 S 1/1990 Yoo
D564,283 S 3/2008 Leung et al.

D564,284 S	3/2008	Leung et al.	
D585,235 S *	1/2009	Tetreault	D7/350.1
D587,959 S	3/2009	Hensel	
D614,905 S	5/2010	Fiorotto	
D655,970 S	3/2012	De' Longhi	
D658,439 S	5/2012	Curtis et al.	
D736,554 S	8/2015	Steiner et al.	
D781,635 S *	3/2017	Koszylko	D7/348
D788,514 S *	6/2017	Bock	D7/329
D825,247 S *	8/2018	Dash	D7/328
D838,533 S	1/2019	Toki	
D839,039 S *	1/2019	Marsh-Croft	D7/350.1
D855,372 S *	8/2019	Ye	D7/328
D870,503 S *	12/2019	Gushwa	D7/328
D870,504 S *	12/2019	Gushwa	D7/328
D878,136 S *	3/2020	Bhogal	D7/328
2011/0023861 A1 *	2/2011	Hensel	F24C 15/12 126/273 R

* cited by examiner

Primary Examiner — Ricky Pham

(74) *Attorney, Agent, or Firm* — Price Heneveld LLP

(57) **CLAIM**

The ornamental design for an oven, as shown and described.

DESCRIPTION

FIG. 1 is a front perspective view of an oven according to our design;

FIG. 2 is a front elevation view thereof;

FIG. 3 is a back elevation view thereof;

FIG. 4 is a left side elevation view thereof;

FIG. 5 is a right side elevation view thereof;

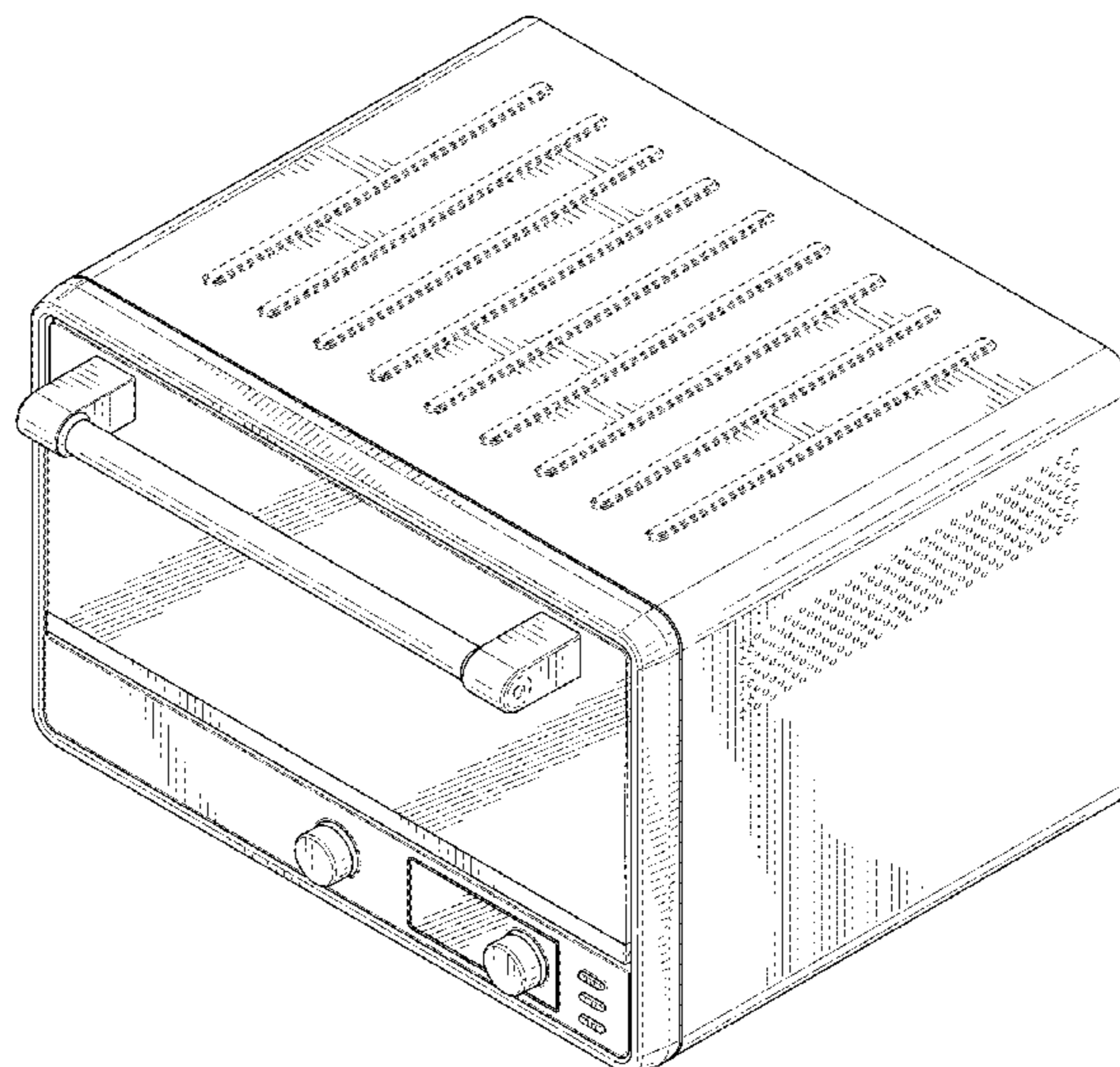
FIG. 6 is a top plan view thereof; and,

FIG. 7 is a bottom plan view thereof.

The portions of the article shown in broken line form no part of the claimed design.

Diagonal shading indicates a transparent or highly reflective appearance.

1 Claim, 7 Drawing Sheets



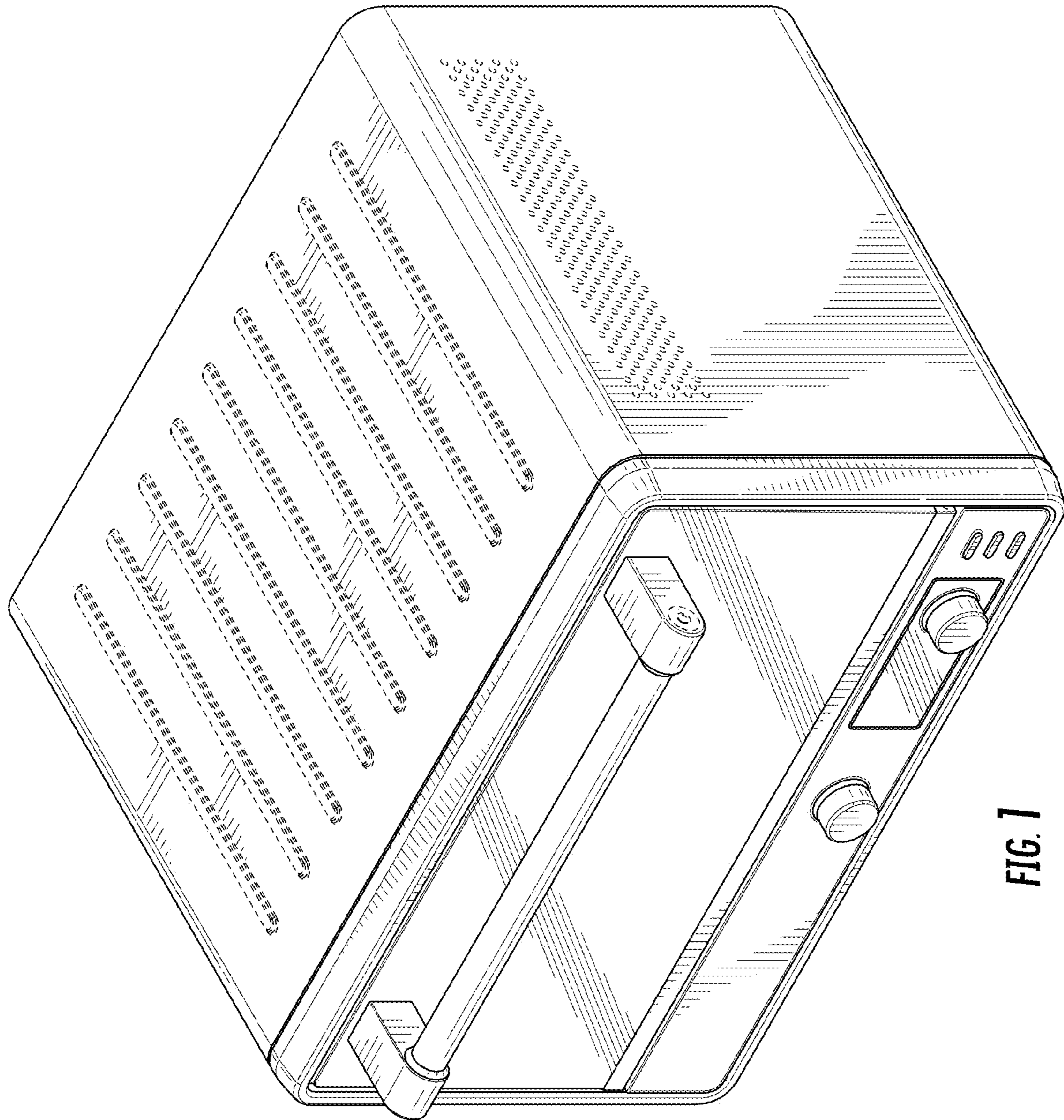


FIG. 1

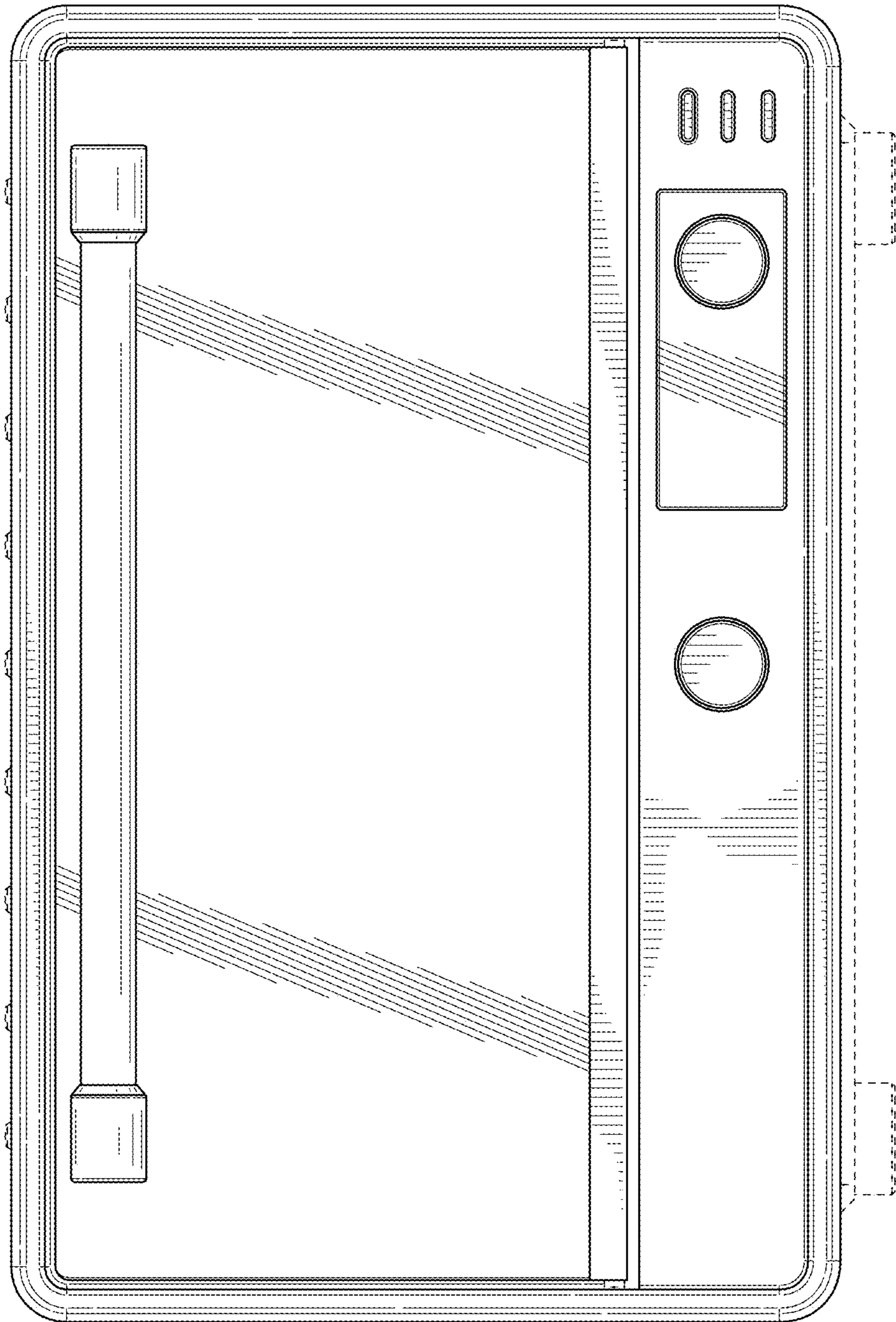


FIG. 2

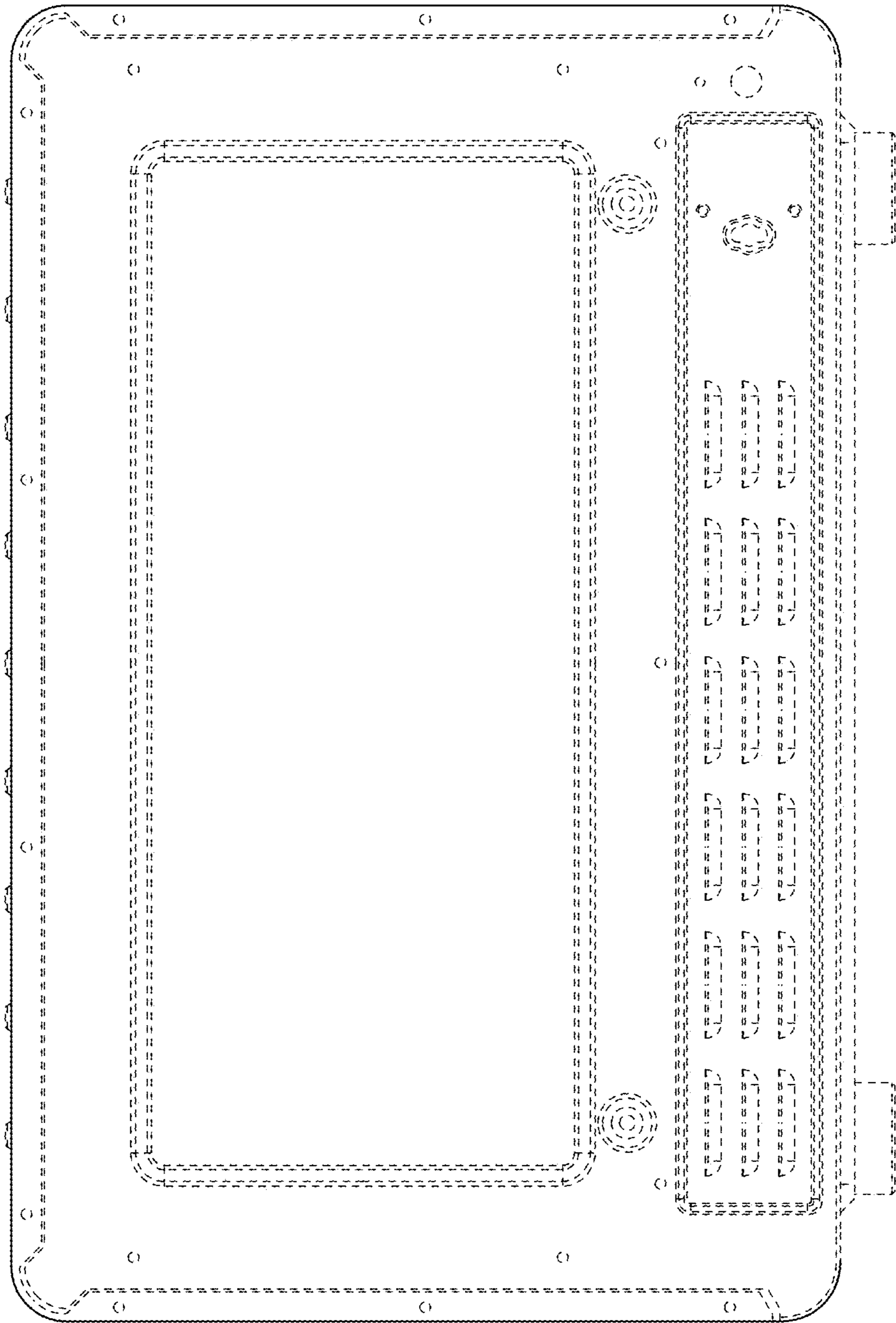


FIG. 3

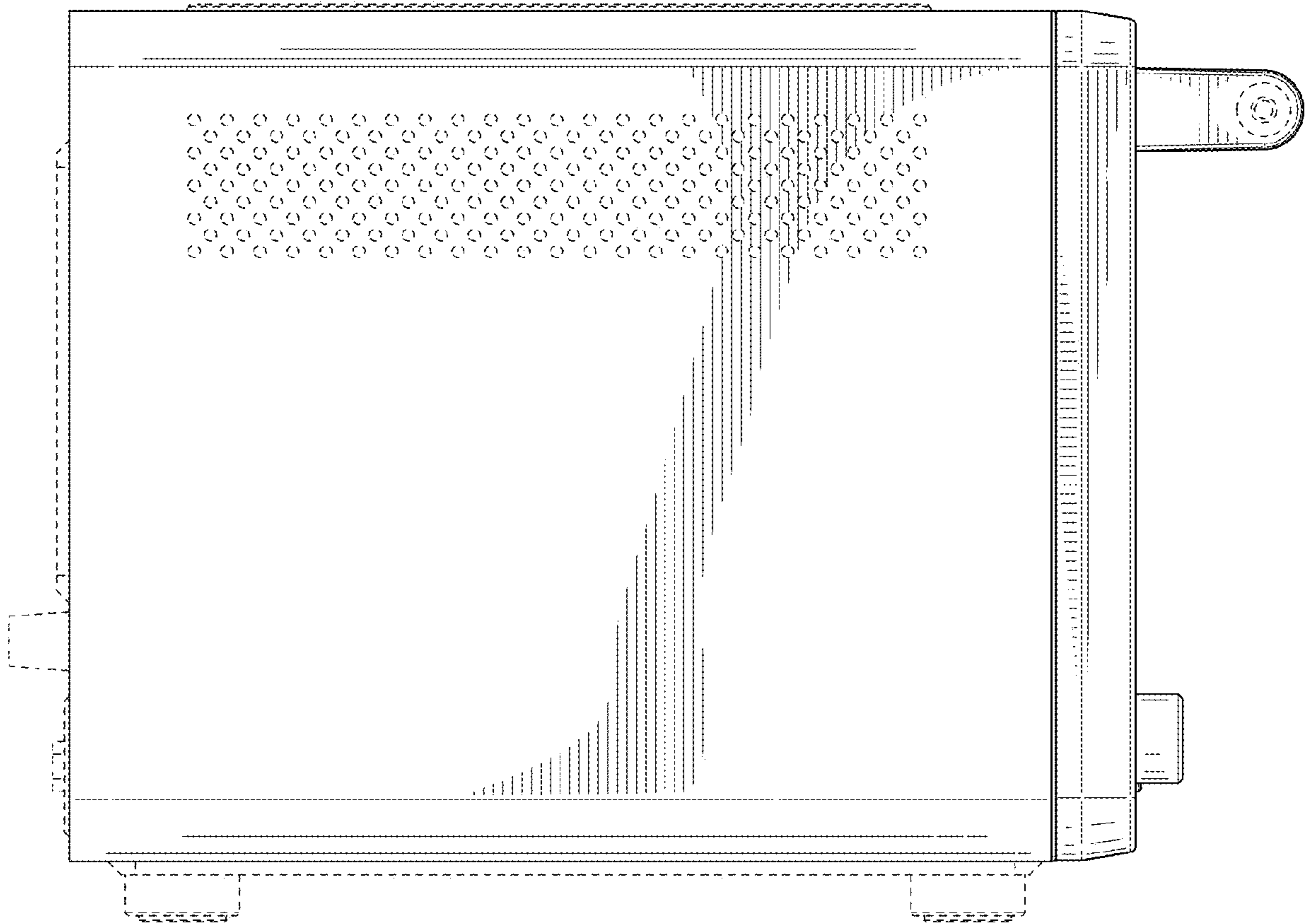


FIG. 4

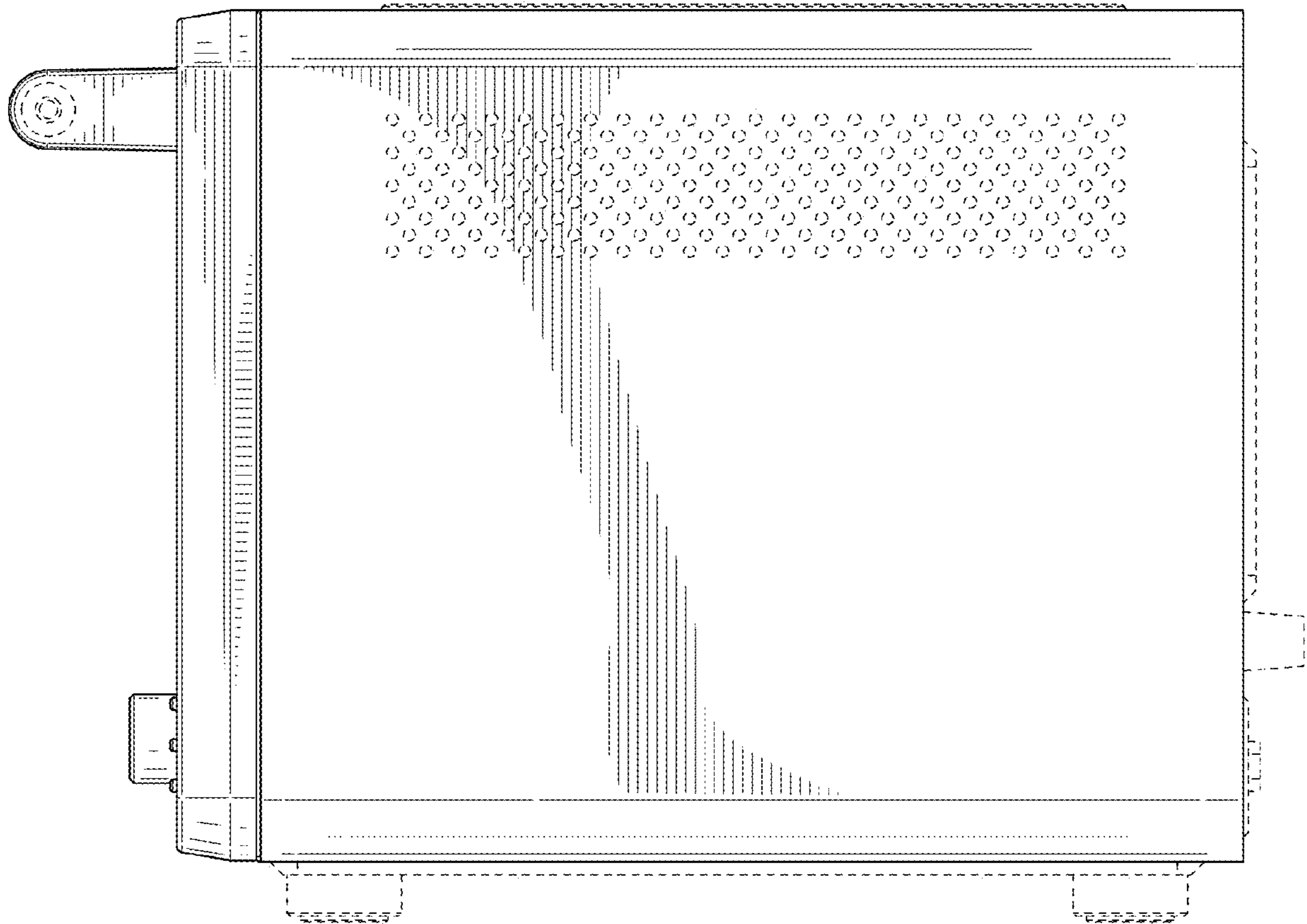


FIG. 5

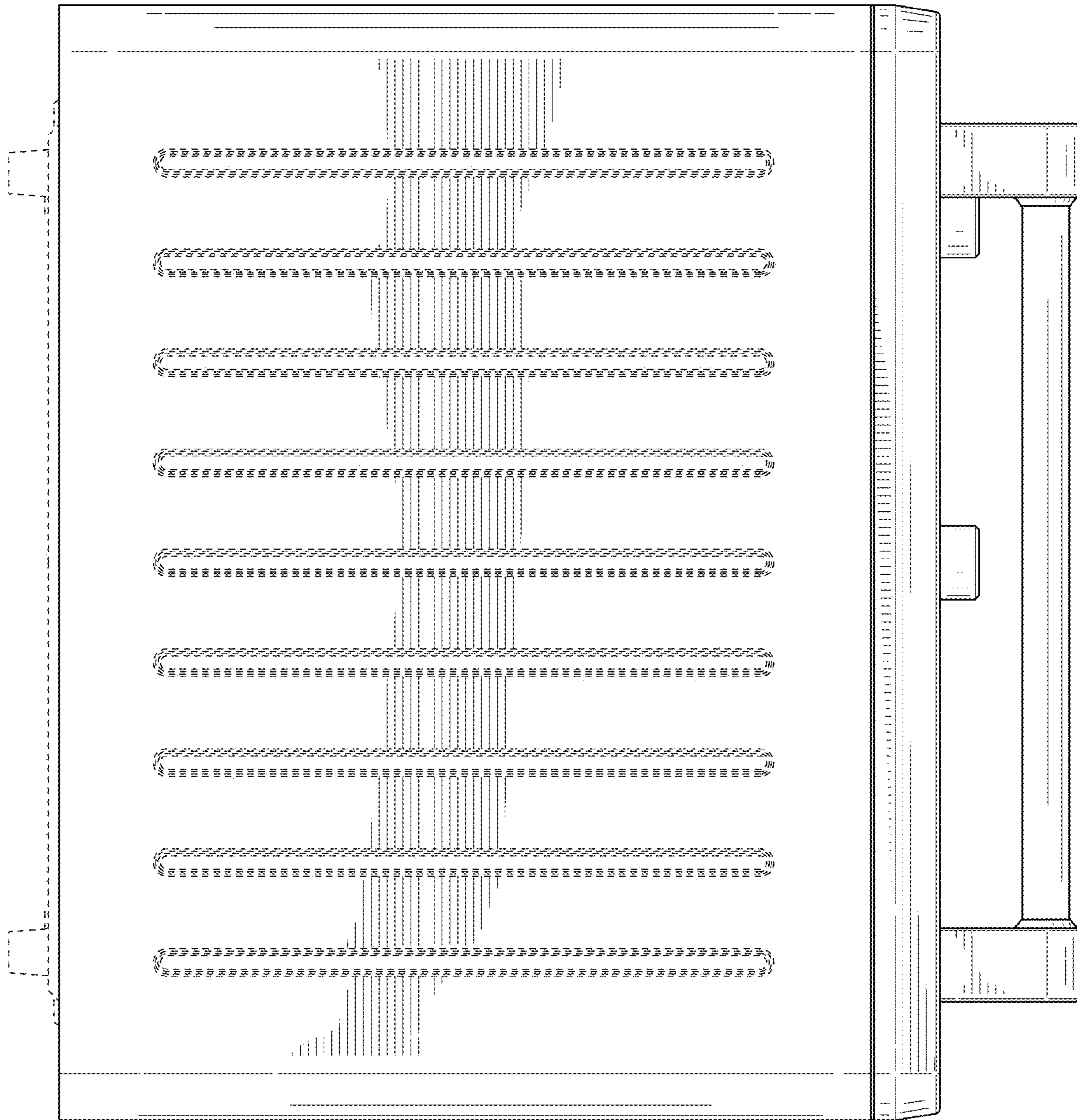


FIG. 6

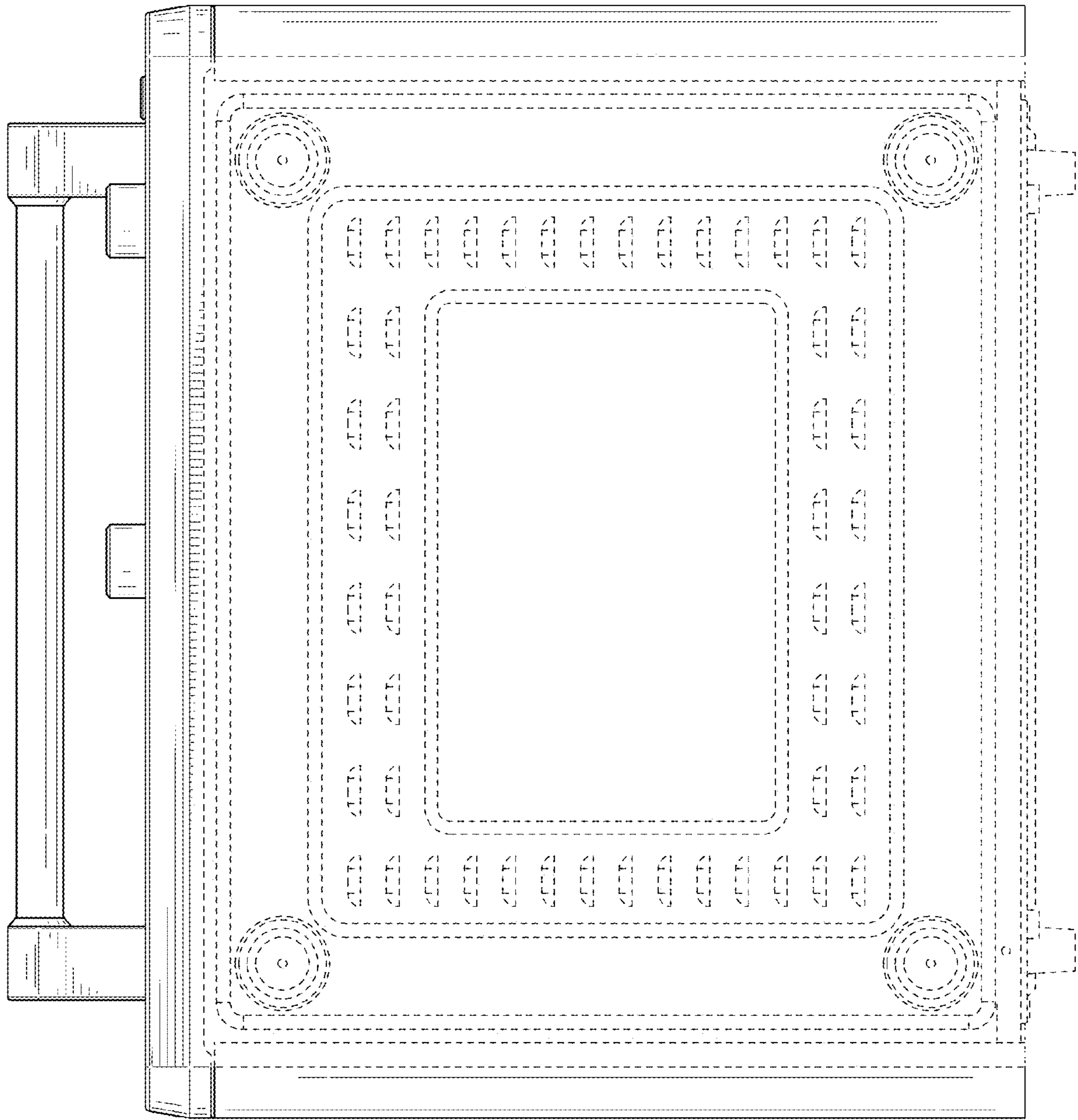


FIG. 7