



US00D892529S

(12) **United States Design Patent** (10) **Patent No.:** **US D892,529 S**
Fei (45) **Date of Patent:** **** Aug. 11, 2020**

- (54) **FILLING MACHINE**
- (71) Applicant: **YASON ELECTRONICS TECHNOLOGY CO., LIMITED,**
Hong Kong (CN)
- (72) Inventor: **Yiren Fei,** Nanchang (CN)
- (73) Assignee: **YASON ELECTRONICS TECHNOLOGY CO., LIMITED,**
Hong Kong (CN)
- (**) Term: **15 Years**
- (21) Appl. No.: **29/732,406**
- (22) Filed: **Apr. 23, 2020**
- (51) **LOC (12) Cl.** **07-01**
- (52) **U.S. Cl.**
USPC **D7/306; D7/300; D7/397; D15/199**
- (58) **Field of Classification Search**
USPC **D7/300, 306-308, 397, 399; D15/89, 79, D15/199; 141/95**
CPC **B65B 1/36; B65B 3/04; C12C 11/006; C12C 7/205**
See application file for complete search history.

7,621,898	B2 *	11/2009	Lalomia	A61M 1/0052
				604/319
8,069,884	B1 *	12/2011	Gray-Woods	F01M 11/0458
				141/95
8,721,721	B2 *	5/2014	Linder-Ganz	A61F 2/3872
				623/14.12
D725,437	S *	3/2015	McIntyre	D7/307
D737,090	S *	8/2015	Long	D23/207
9,109,192	B1 *	8/2015	Mitchell	C12C 1/02
D790,896	S *	7/2017	Pasquet	D7/300
D885,821	S *	6/2020	Larsen	D7/368
2005/0188654	A1	9/2005	Clusserath	
2015/0000532	A1 *	1/2015	Mitchell	C12C 7/205
				99/276

* cited by examiner

Primary Examiner — Marianne N Pandozzi

(57) **CLAIM**

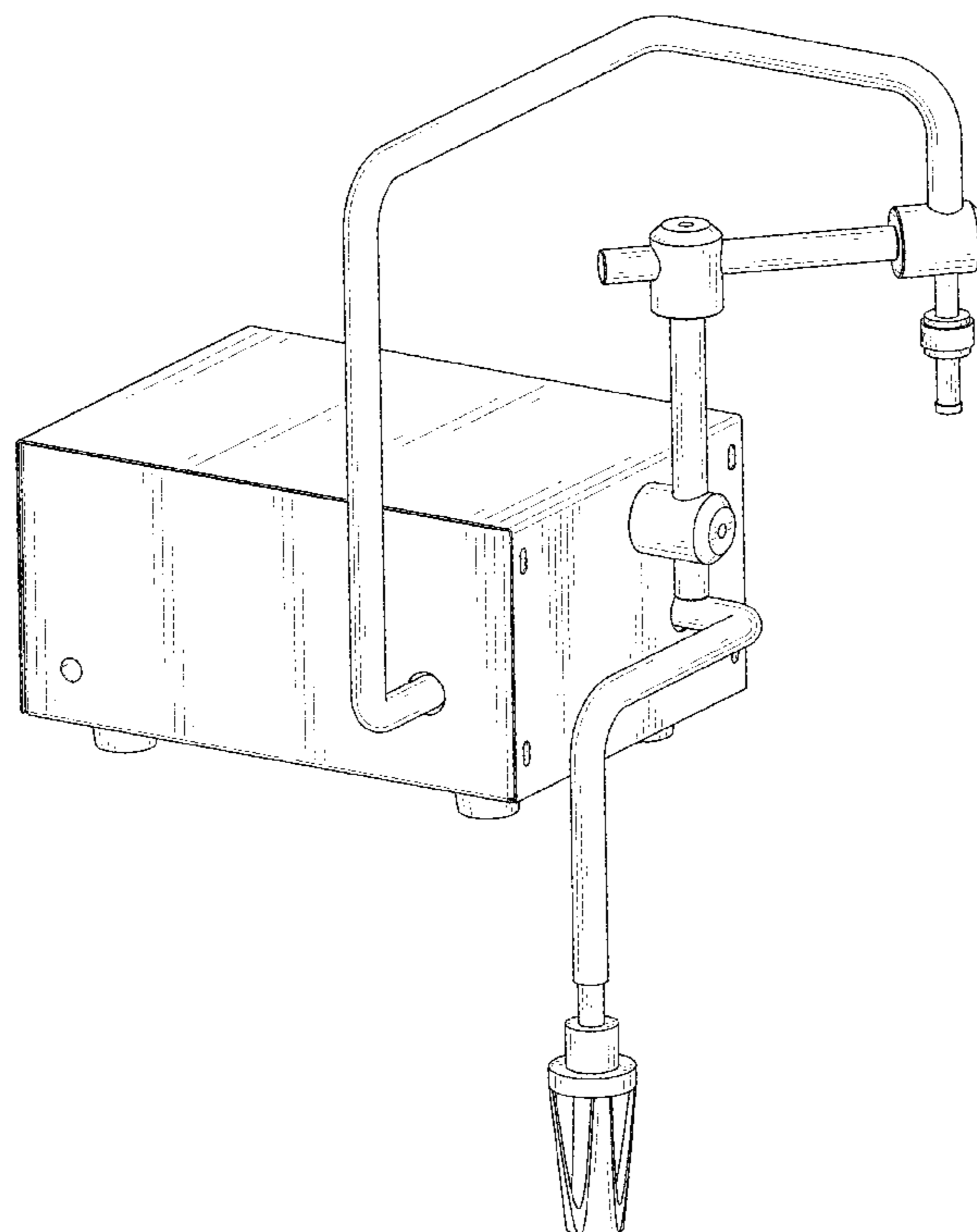
The ornamental design for a filling machine, as shown and described.

DESCRIPTION

FIG. 1 is a perspective view of a filling machine showing my new design;
 FIG. 2 is another perspective view thereof;
 FIG. 3 is a front elevational view thereof;
 FIG. 4 is a rear elevational view thereof;
 FIG. 5 is a left side elevational view thereof;
 FIG. 6 is a right side elevational view thereof;
 FIG. 7 is a top plan view thereof; and,
 FIG. 8 is a bottom plan view thereof.
 The broken lines in the drawings depict portions of the filling machine that form no part of the claimed design.

1 Claim, 8 Drawing Sheets

- (56) **References Cited**
U.S. PATENT DOCUMENTS
D272,088 S * 1/1984 Simons D24/220
4,807,673 A * 2/1989 Tazuke B67C 3/04
141/57
D325,386 S * 4/1992 Sergi D15/5
6,474,368 B2 11/2002 Clüsserath



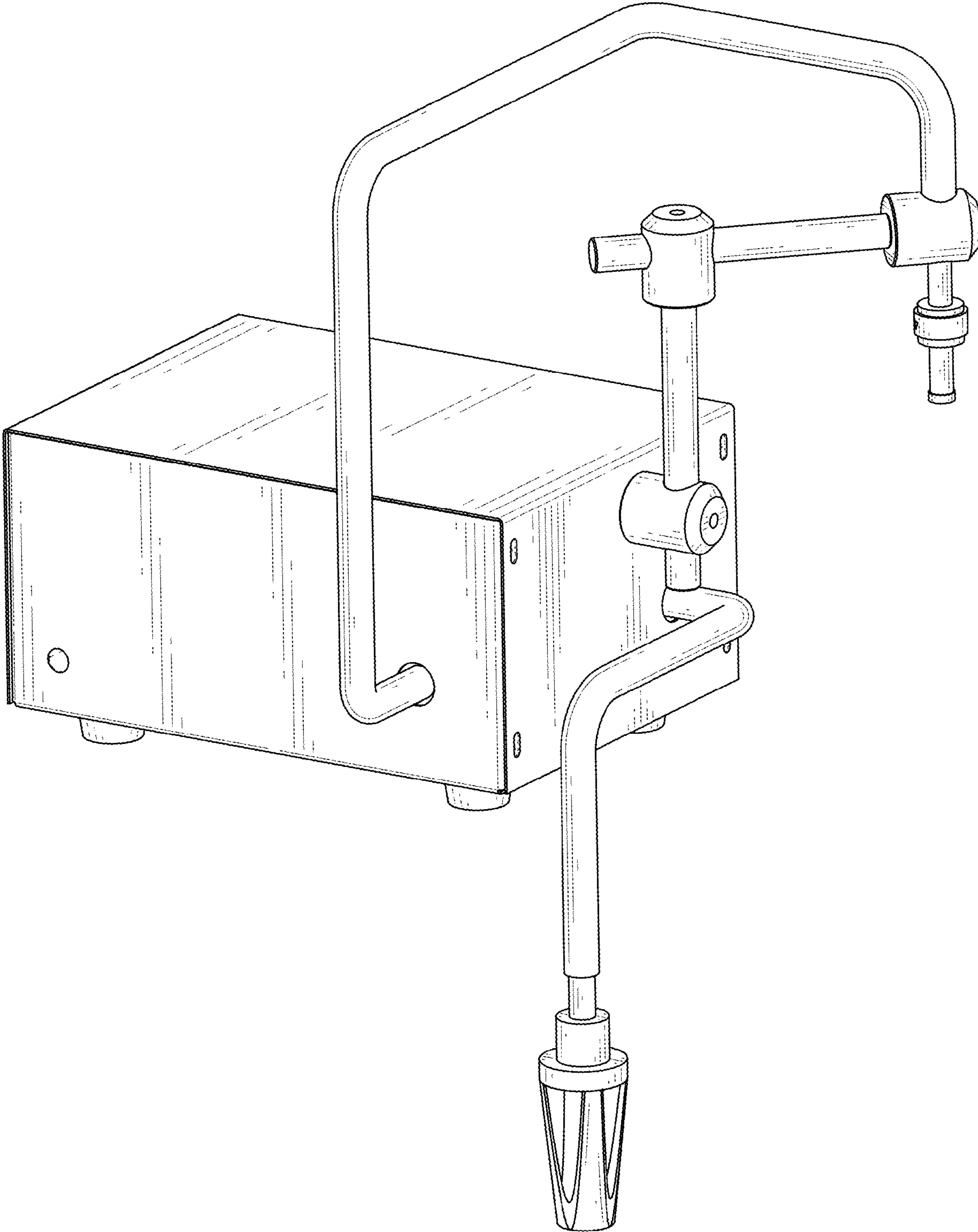


FIG. 1

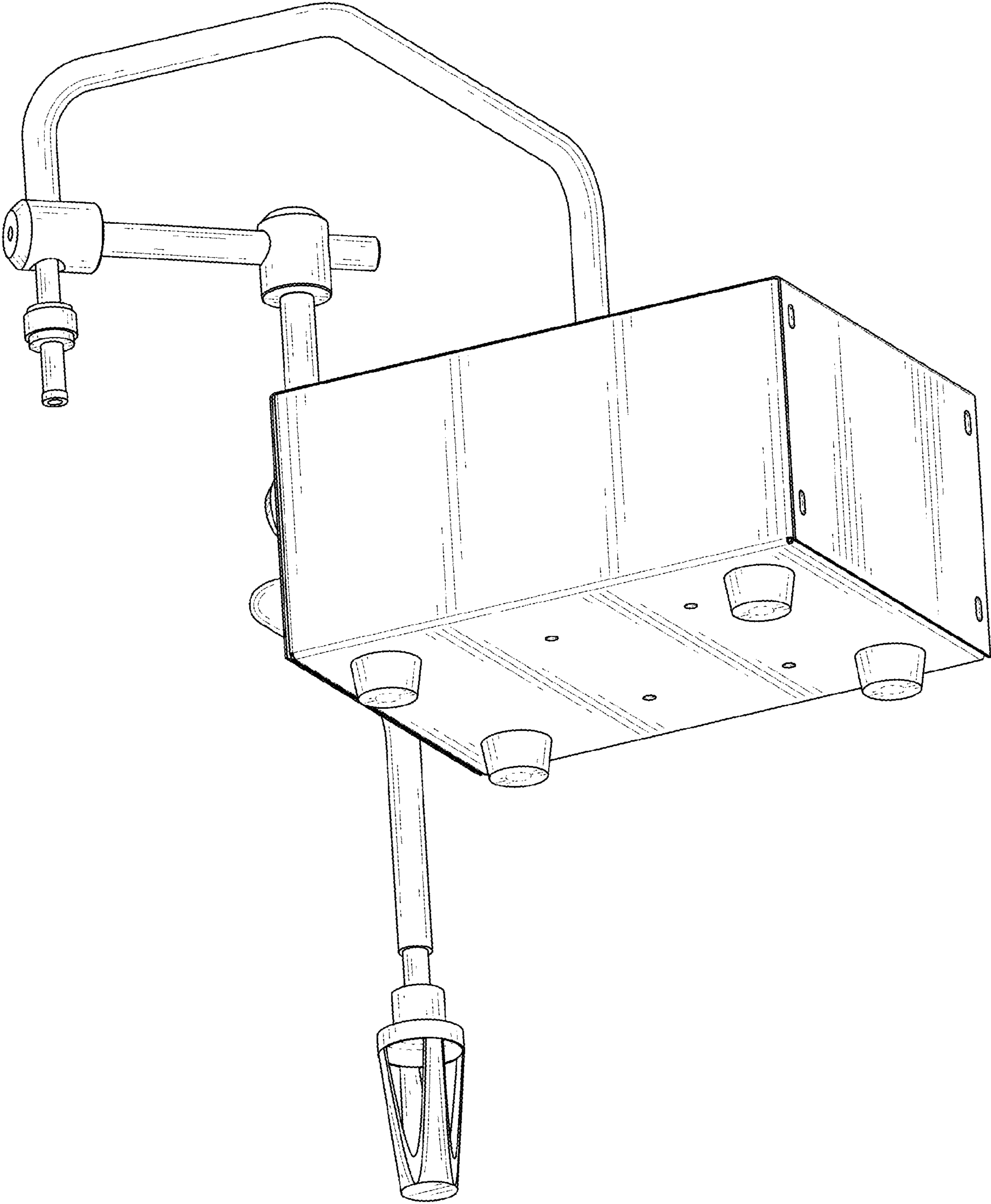


FIG. 2

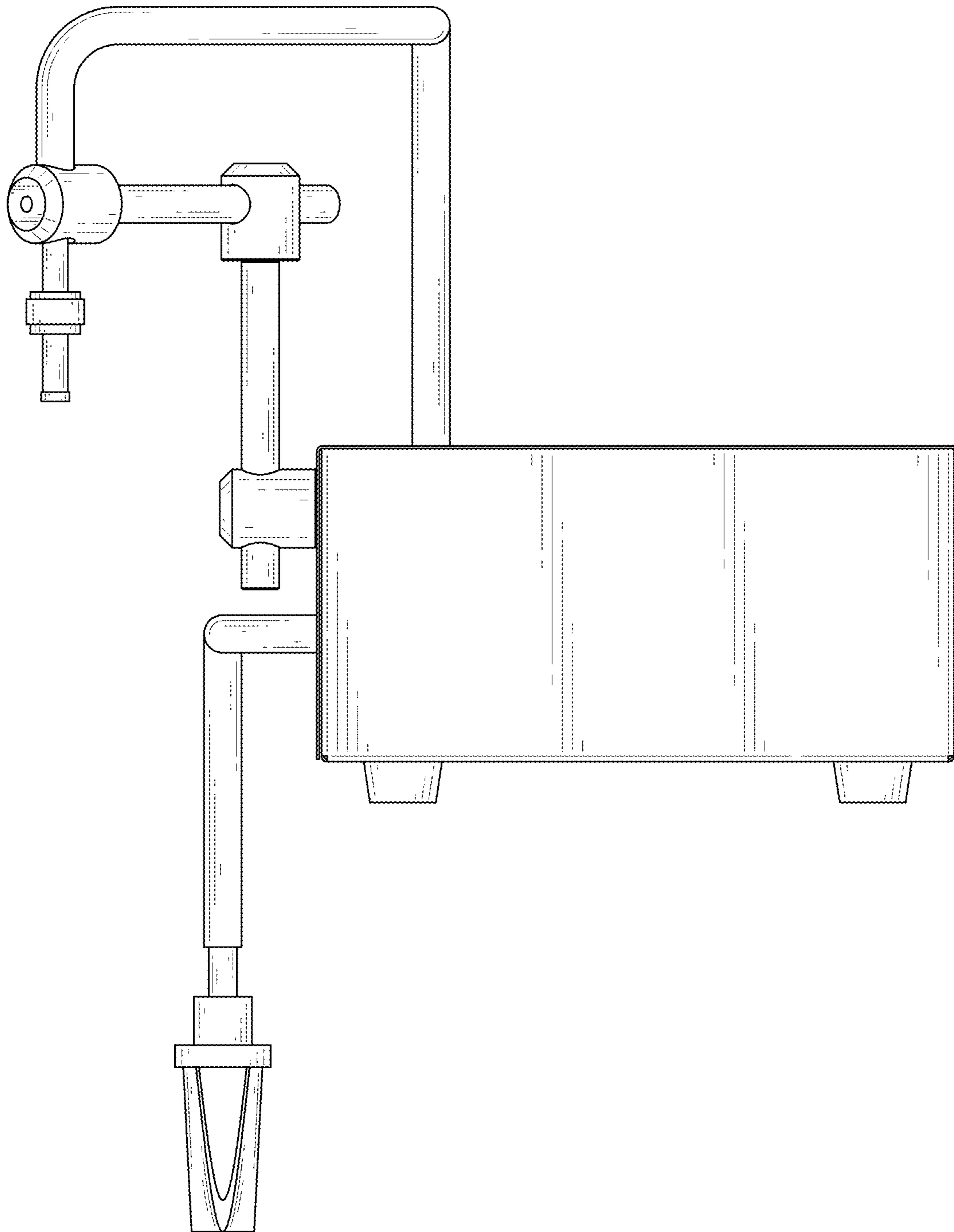


FIG. 4

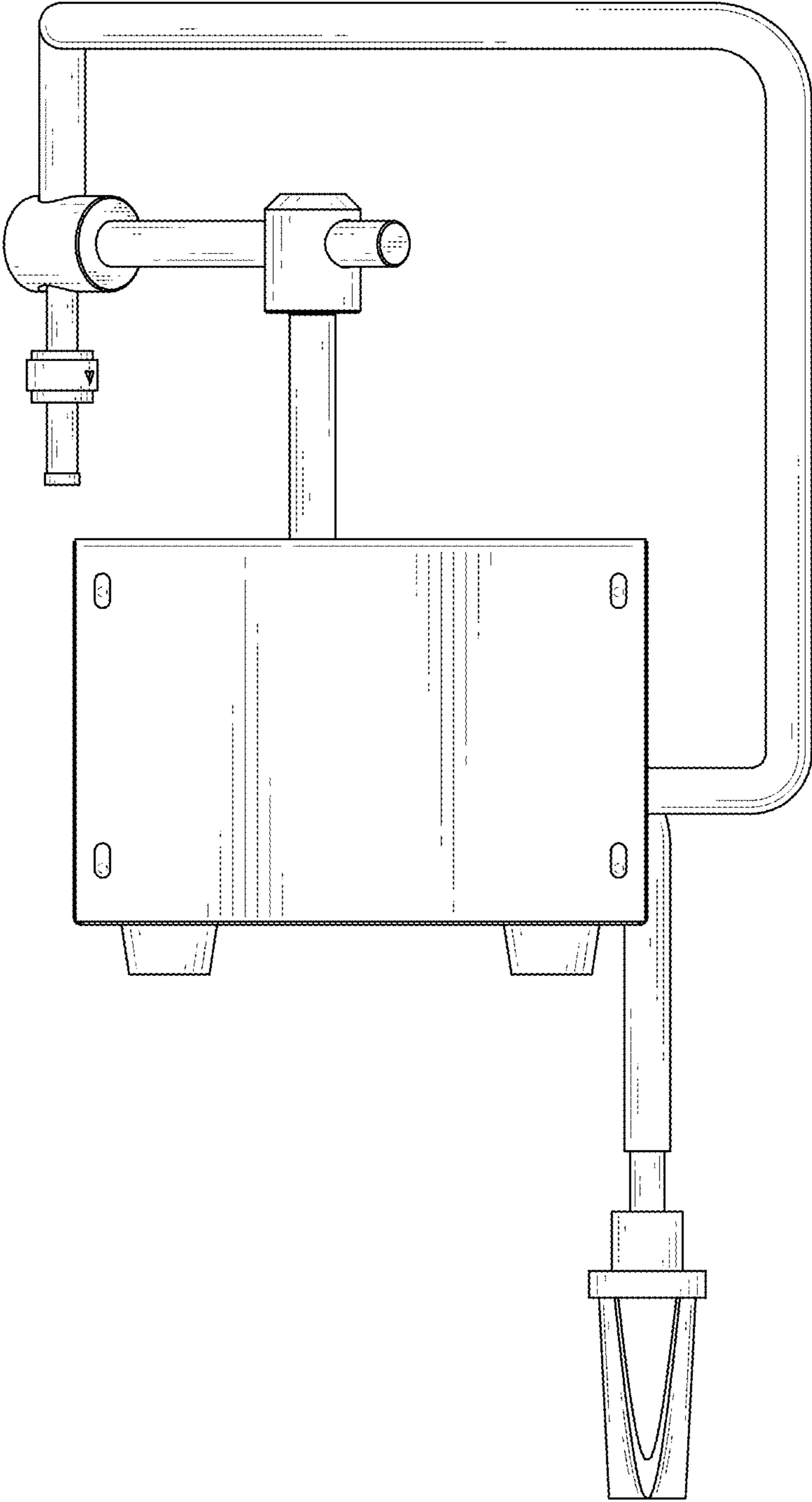


FIG. 5

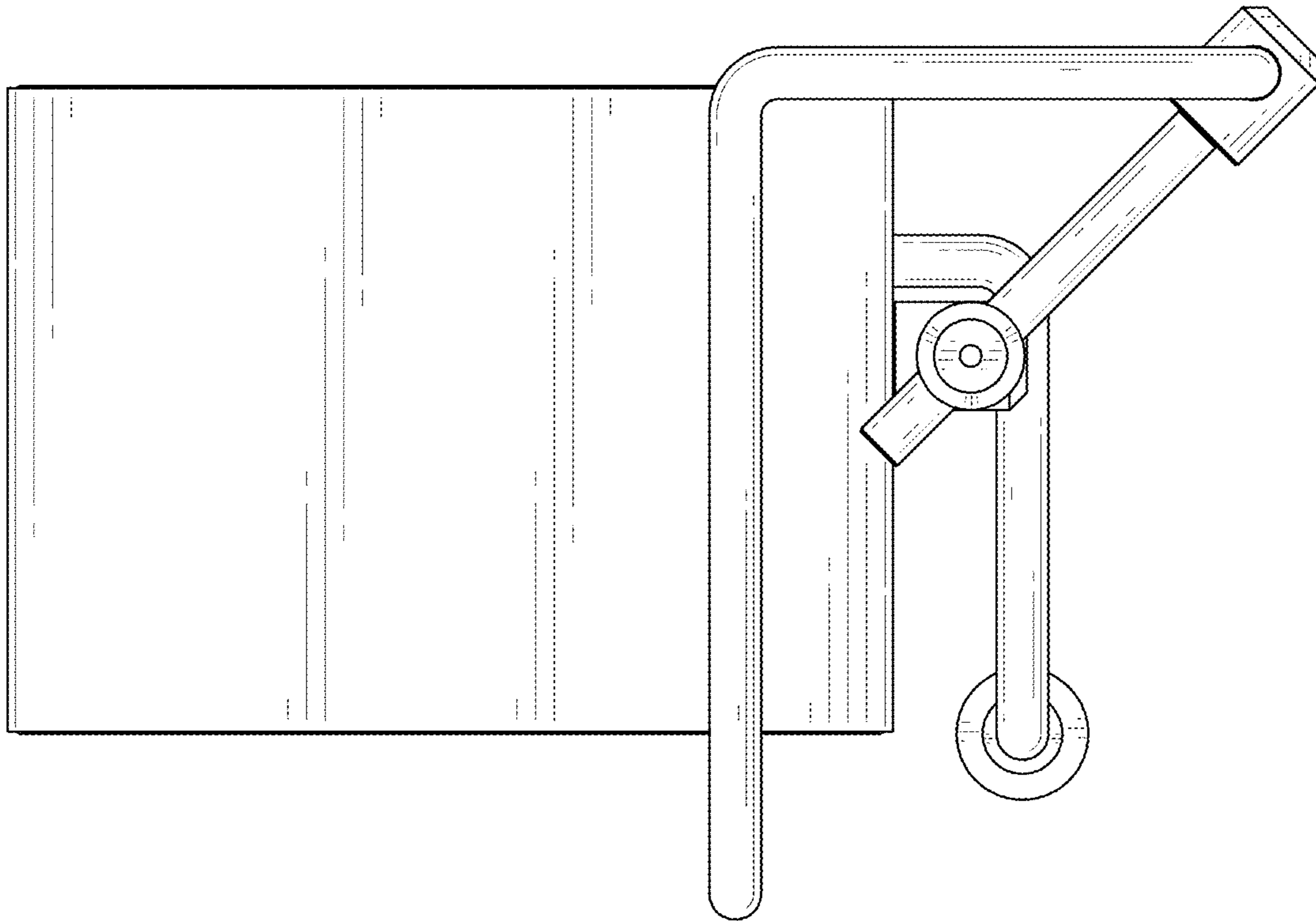


FIG. 7

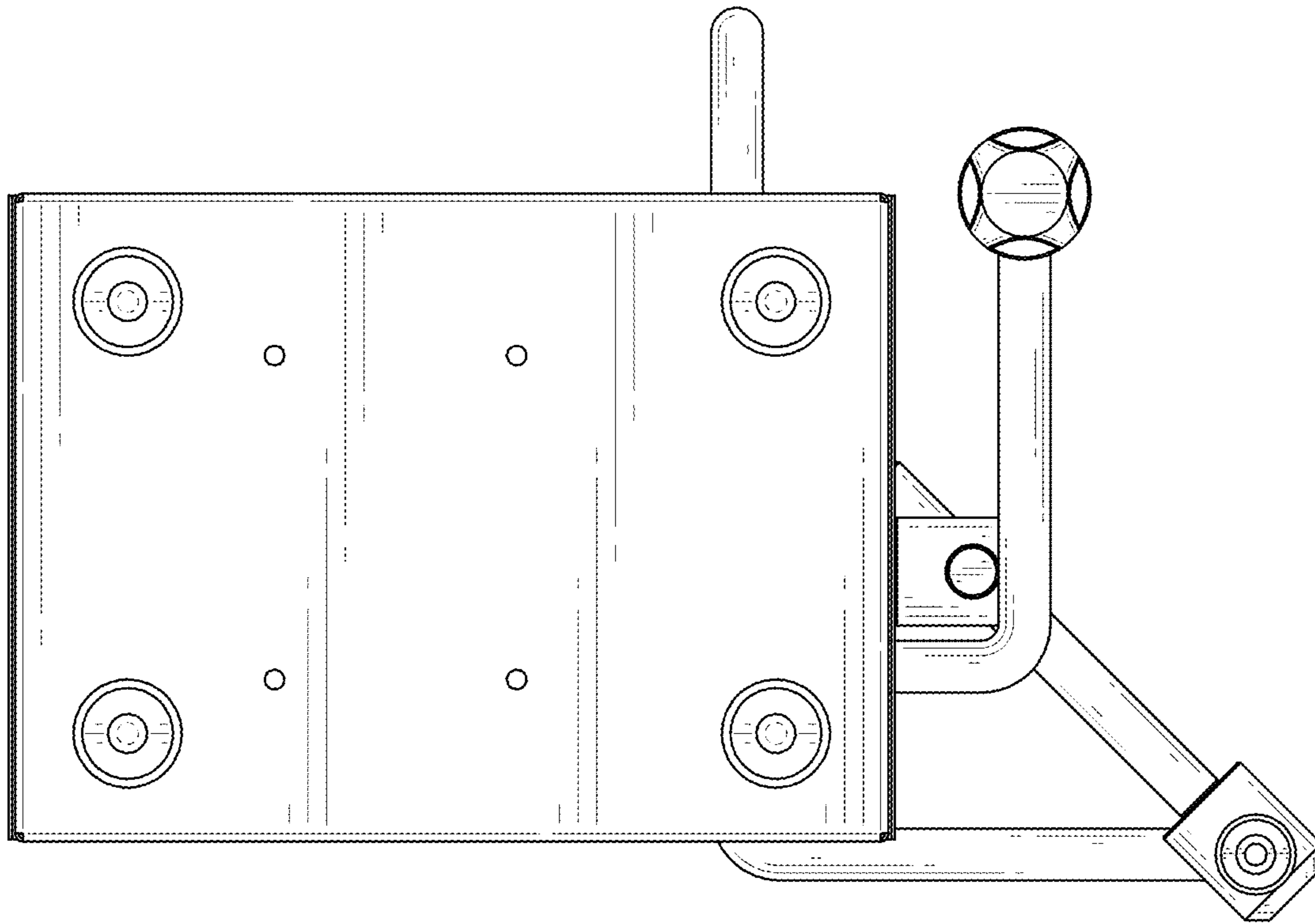


FIG. 8