



US00D892525S

(12) **United States Design Patent**
Killinger

(10) **Patent No.:** **US D892,525 S**

(45) **Date of Patent:** **** Aug. 11, 2020**

(54) **CHAIR**

(71) Applicant: **Williams-Sonoma, Inc.**, San Francisco, CA (US)

(72) Inventor: **James Ian Killinger**, Brooklyn, NY (US)

(73) Assignee: **Williams-Sonoma, Inc.**, San Francisco, CA (US)

(**) Term: **15 Years**

(21) Appl. No.: **29/663,570**

(22) Filed: **Sep. 17, 2018**

(51) **LOC (12) Cl.** **06-01**

(52) **U.S. Cl.**
USPC **D6/716; D6/366**

(58) **Field of Classification Search**
USPC D6/334-336, 364, 365, 366, 367, 374,
D6/375, 379, 716, 716.1, 716.2, 716.3,
D6/716.4

CPC A47C 3/18; A47C 7/004; A47C 7/006;
A47C 7/18; A47C 7/24; A47C 7/40;
A47C 7/54

See application file for complete search history.

(56) **References Cited**

U.S. PATENT DOCUMENTS

3,281,185 A * 10/1966 Albinson A47C 7/18
297/452.14
D386,909 S * 12/1997 Mourgue D6/334

D393,956 S * 5/1998 Kane D6/334
D759,397 S * 6/2016 Wu D6/366
D766,640 S * 9/2016 Kubryk D6/716
D794,349 S * 8/2017 Levy D6/374
D807,066 S * 1/2018 Vance D6/334
D815,449 S * 4/2018 Hannoosh D6/374
D842,017 S * 3/2019 Herkner D6/716
D859,019 S * 9/2019 Lievore D6/366
D876,116 S * 2/2020 Ji D6/374
D880,173 S * 4/2020 Killinger D6/334

* cited by examiner

Primary Examiner — Mimoso De

(74) *Attorney, Agent, or Firm* — Cook Alex Ltd.; R. Blake Johnston

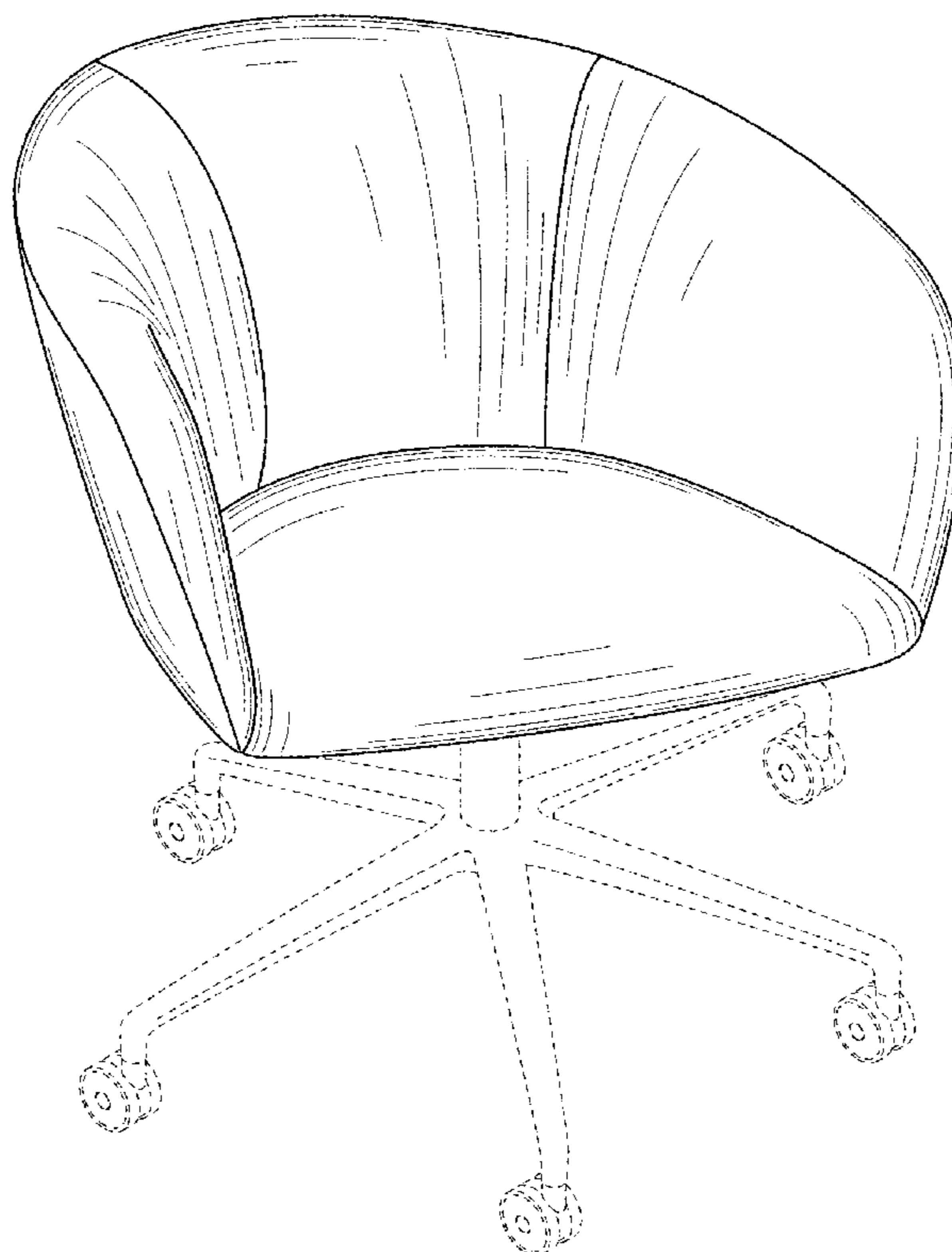
(57) **CLAIM**

The ornamental design for a chair, as shown and described.

DESCRIPTION

FIG. 1 is a perspective view of the chair;
FIG. 2 is a front elevational view of the chair;
FIG. 3 is a rear elevational view of the chair;
FIG. 4 is a left side elevational view of the chair, the opposite side of which is a mirror image;
FIG. 5 is a top plan view of the chair; and,
FIG. 6 is a bottom plan view of the chair.
The broken lines shown in the drawings are for illustrating portions of the chair that form no part of the claimed design.

1 Claim, 5 Drawing Sheets



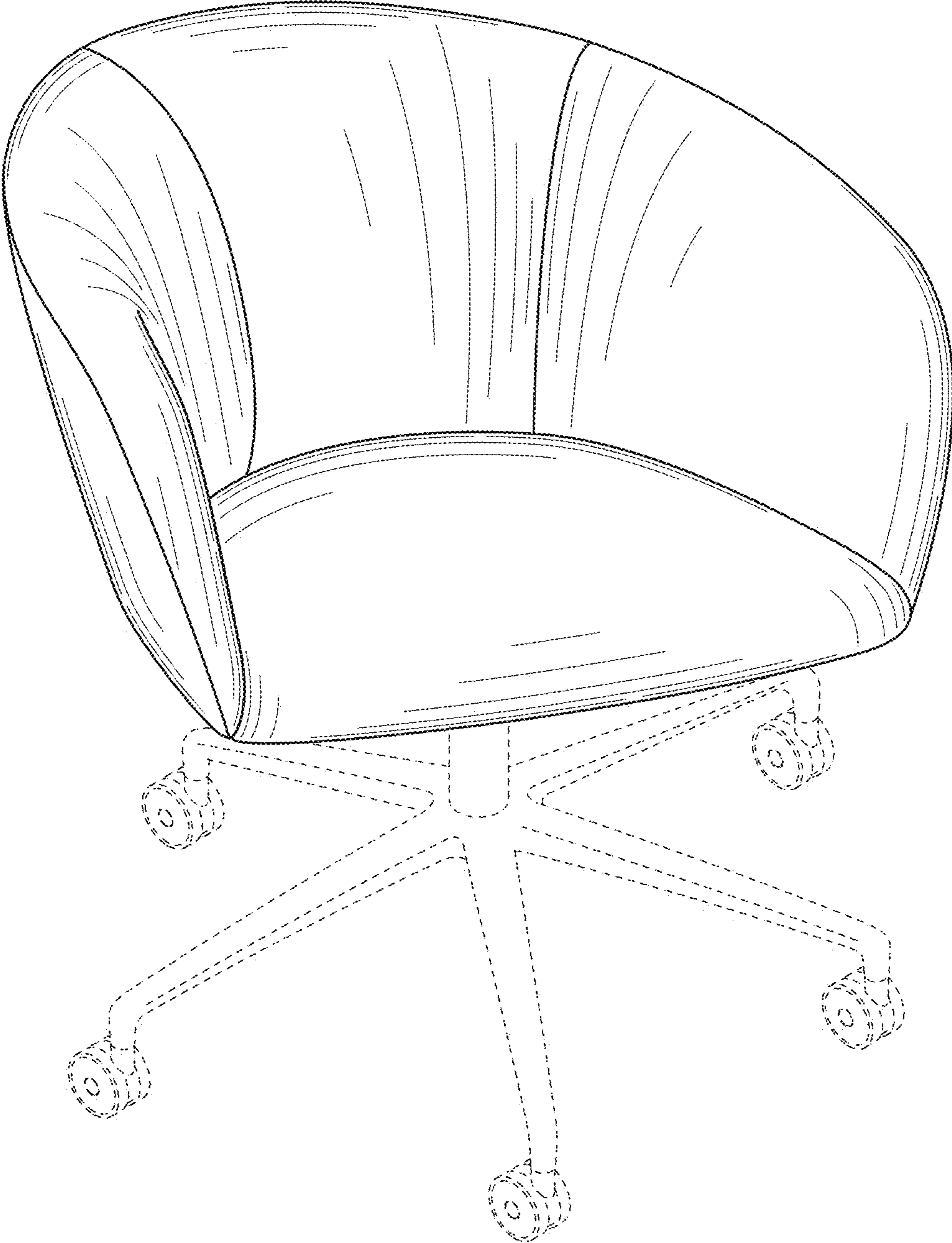


FIG. 1

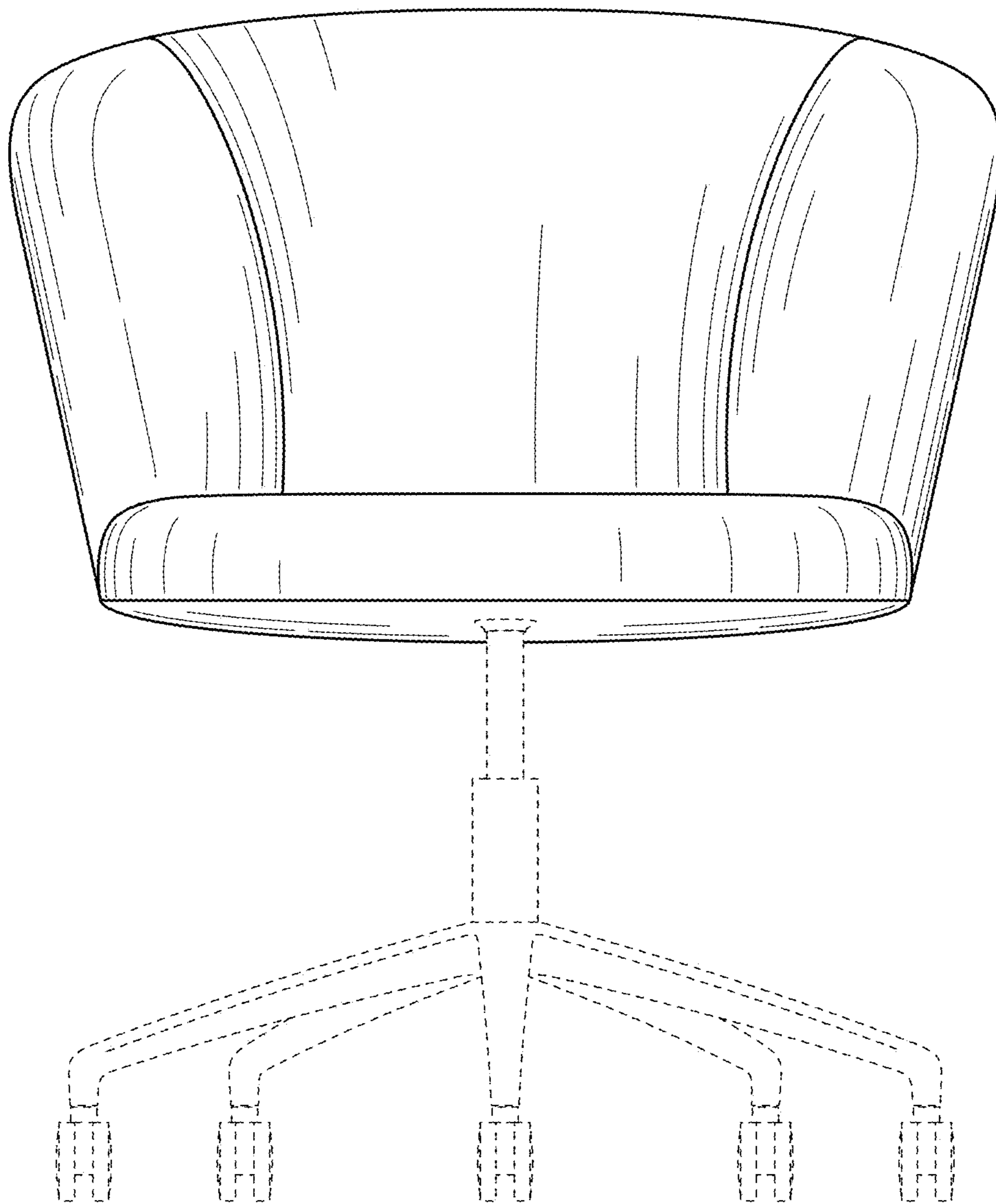


FIG. 2

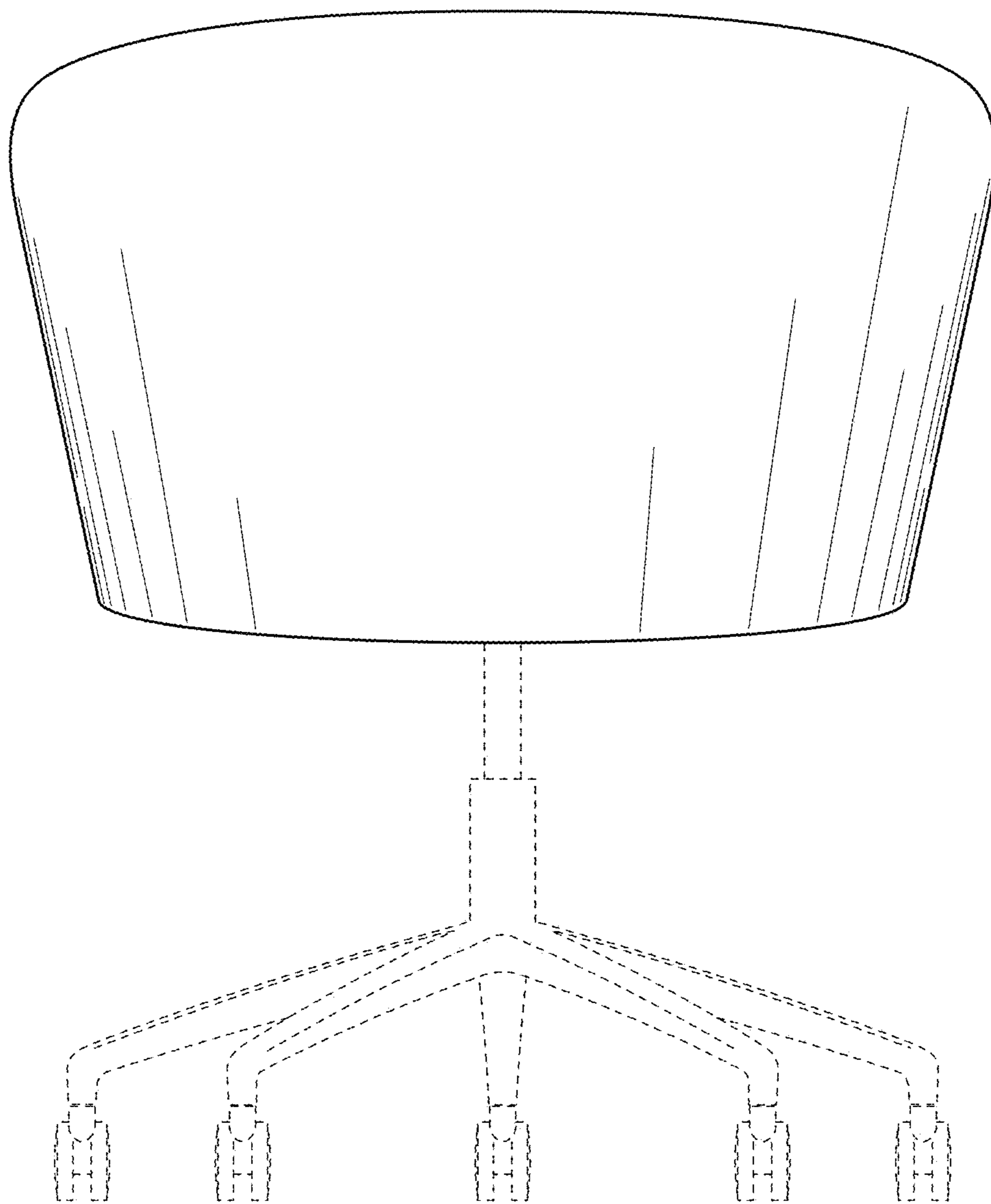


FIG. 3

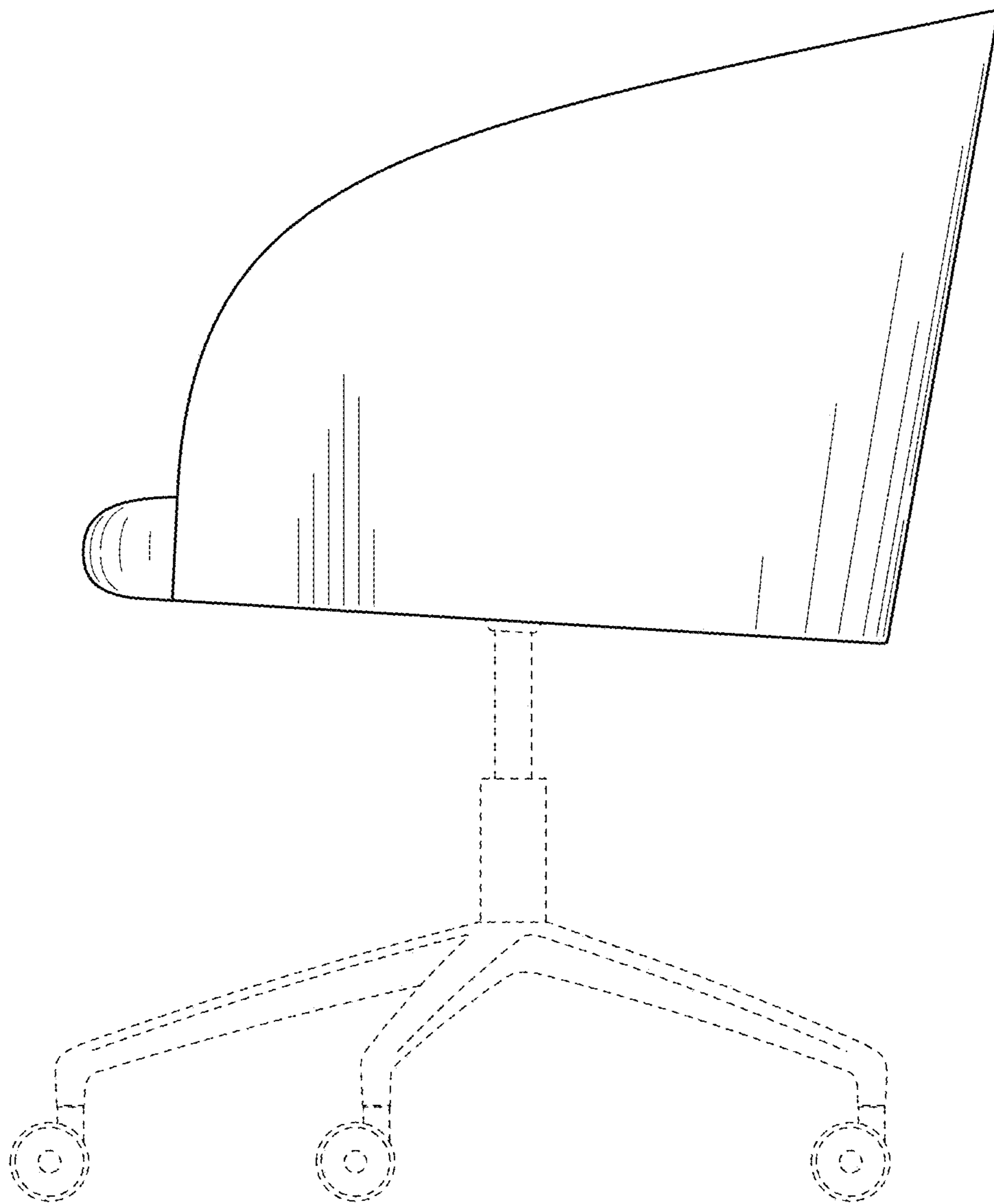


FIG. 4

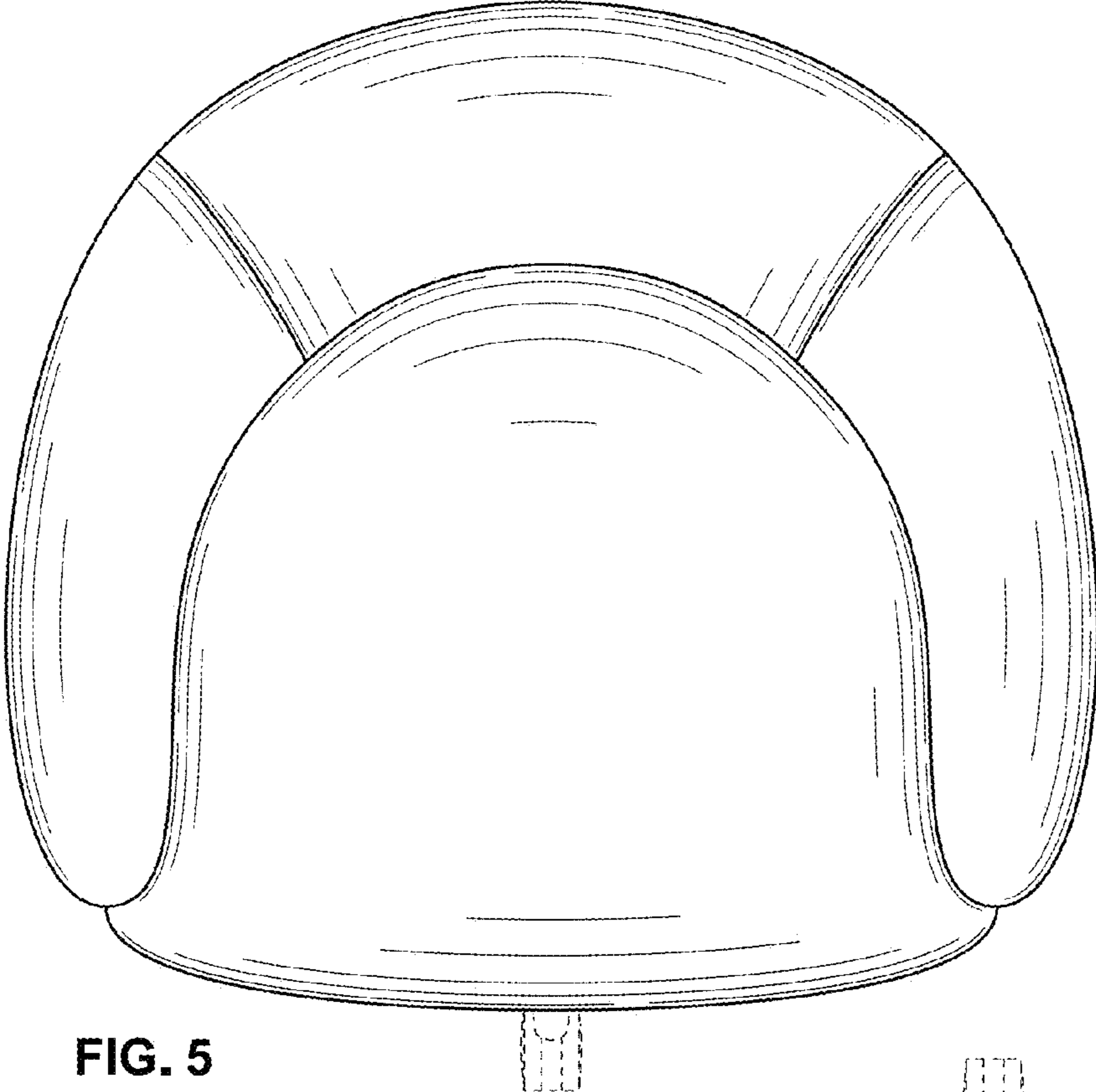


FIG. 5

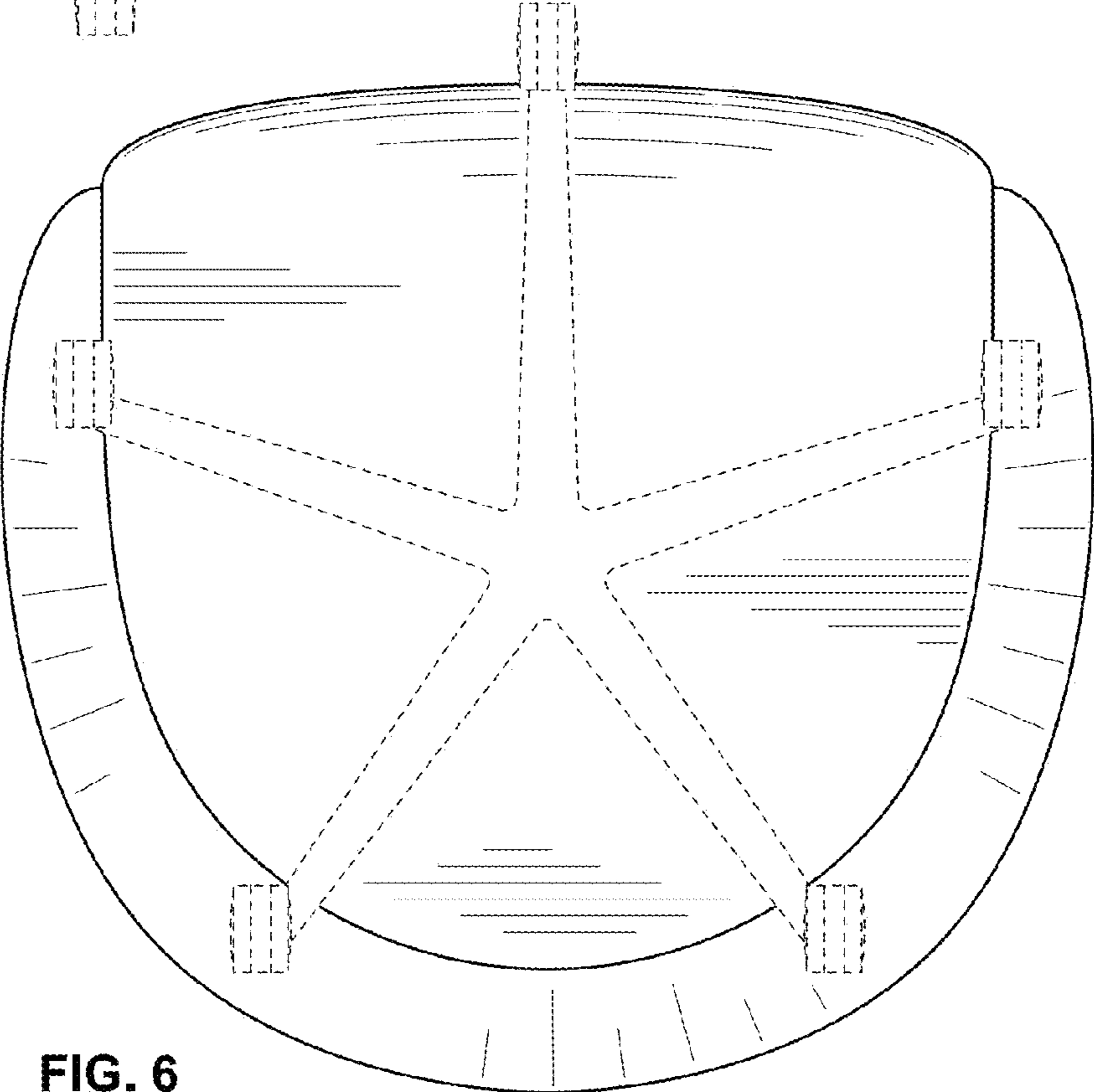


FIG. 6