



US00D892524S

(12) **United States Design Patent**
Su et al.

(10) **Patent No.:** **US D892,524 S**

(45) **Date of Patent:** **** Aug. 11, 2020**

(54) **DRAWER SIDE PANEL**

(71) Applicants: **KING SLIDE WORKS CO., LTD.**,
Kaohsiung (TW); **KING SLIDE**
TECHNOLOGY CO., LTD.,
Kaohsiung (TW)

(72) Inventors: **Fang-Cheng Su**, Kaohsiung (TW);
Ci-Bin Huang, Kaohsiung (TW);
Shih-Lung Huang, Kaohsiung (TW);
Shan-Yao Chen, Kaohsiung (TW);
Ching-Fu Chiu, Kaohsiung (TW);
Shu-Chen Lin, Kaohsiung (TW)

(73) Assignees: **King Slide Works Co., Ltd.**,
Kaohsiung (TW); **King Slide**
Technology Co., Ltd., Kaohsiung (TW)

(**) Term: **15 Years**

(21) Appl. No.: **29/707,157**

(22) Filed: **Sep. 26, 2019**

Related U.S. Application Data

(62) Division of application No. 29/599,204, filed on Mar.
31, 2017, now Pat. No. Des. 871,812.

(51) **LOC (12) Cl.** **06-06**

(52) **U.S. Cl.**
USPC **D6/705.4; D6/705.2; D6/705.5**

(58) **Field of Classification Search**
USPC **D3/297; D6/663, 664, 664.1, 671, 671.1,**
D6/671.2, 671.3, 671.4, 705, 705.2,
D6/705.4, 705.5, 707.19

(Continued)

(56) **References Cited**

U.S. PATENT DOCUMENTS

D252,436 S * 7/1979 Elliott D6/706
D255,741 S * 7/1980 Litchfield D6/705.4

(Continued)

Primary Examiner — Mary Ann Calabrese

Assistant Examiner — Catherine Ho

(74) *Attorney, Agent, or Firm* — Rosenberg, Klein & Lee

(57) **CLAIM**

The ornamental design for a drawer side panel, as shown and described.

DESCRIPTION

FIG. 1 is a perspective view of a drawer side panel, showing our new design according to a first embodiment;

FIG. 2 is a front view thereof;

FIG. 3 is a rear view thereof;

FIG. 4 is a left view thereof;

FIG. 5 is a right view thereof;

FIG. 6 is a top plan view thereof;

FIG. 7 is a bottom plan view thereof;

FIG. 8 is an enlarged fragmentary view of left side of the perspective view of FIG. 1;

FIG. 9 is an enlarged detailed view of the encircled area 9 in FIG. 8;

FIG. 10 is a perspective view of a drawer side panel, showing our new design according to a second embodiment;

FIG. 11 is a front view thereof;

FIG. 12 is a rear view thereof;

FIG. 13 is a left view thereof;

FIG. 14 is a right view thereof;

FIG. 15 is a top plan view thereof;

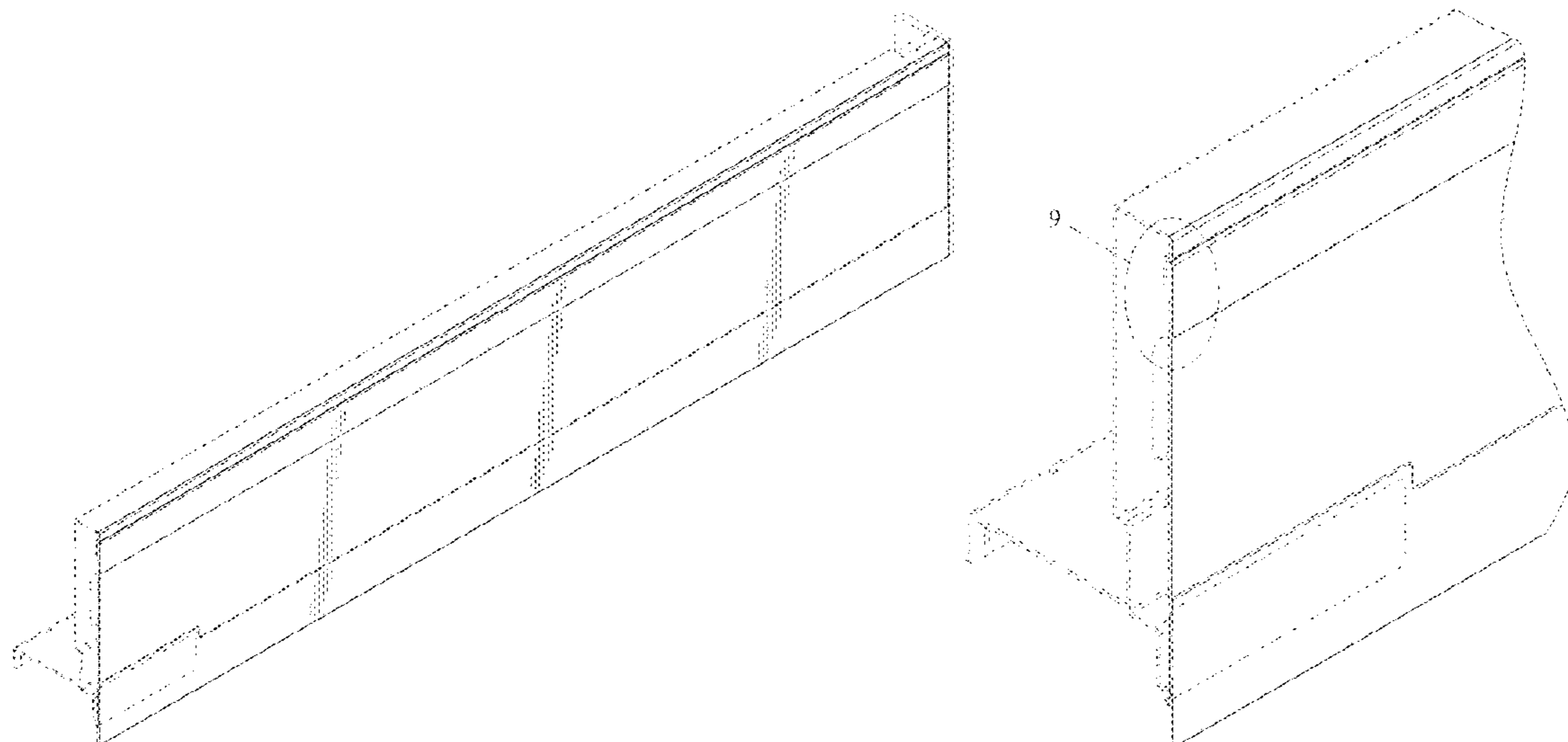
FIG. 16 is a bottom plan view thereof;

FIG. 17 is an enlarged fragmentary view of left side of the perspective view of FIG. 10; and,

FIG. 18 is an enlarged detailed view of the encircled area 18 in FIG. 17.

All broken line portions of the figure drawings are included to show portions of the article that form no part of the claimed.

1 Claim, 12 Drawing Sheets



(58) **Field of Classification Search**

CPC A47B 17/04; A47B 47/03; A47B 67/00;
A47B 67/04; A47B 88/00; A47B 88/40;
A47B 77/00

See application file for complete search history.

(56) **References Cited**

U.S. PATENT DOCUMENTS

D298,708	S	*	11/1988	Nygren	D6/705.4
D456,192	S	*	4/2002	Domenig	D6/705.4
D684,399	S	*	6/2013	Gasser	D6/705.5
D746,090	S	*	12/2015	Grabher	D6/705.5
D757,474	S	*	5/2016	Grabher	D6/705.5
10,383,440	B2	*	8/2019	Chen	A47B 88/493
10,398,228	B2	*	9/2019	Chen	A47B 88/477
D861,403	S	*	10/2019	Hurford	D6/705
10,455,938	B2	*	10/2019	Chen	A47B 96/07
D871,812	S	*	1/2020	Su	D6/705.4
2020/0049195	A1	*	2/2020	Chen	A47B 88/43

* cited by examiner

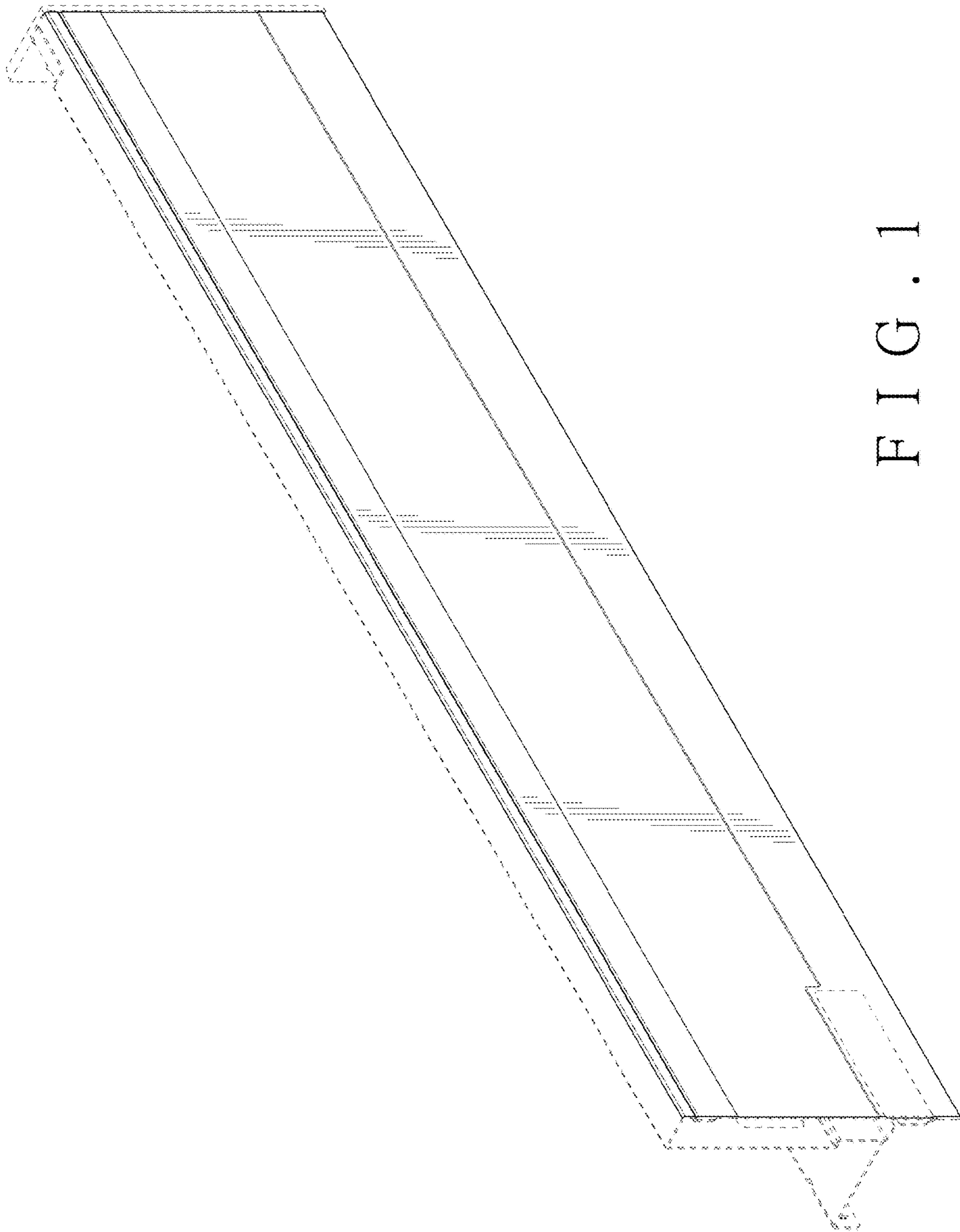


FIG. 1

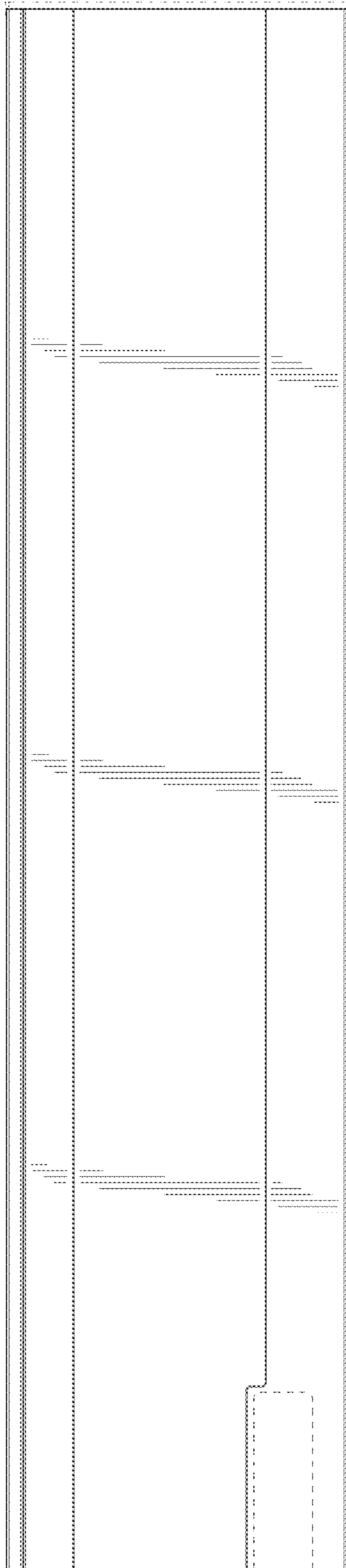


FIG. 2

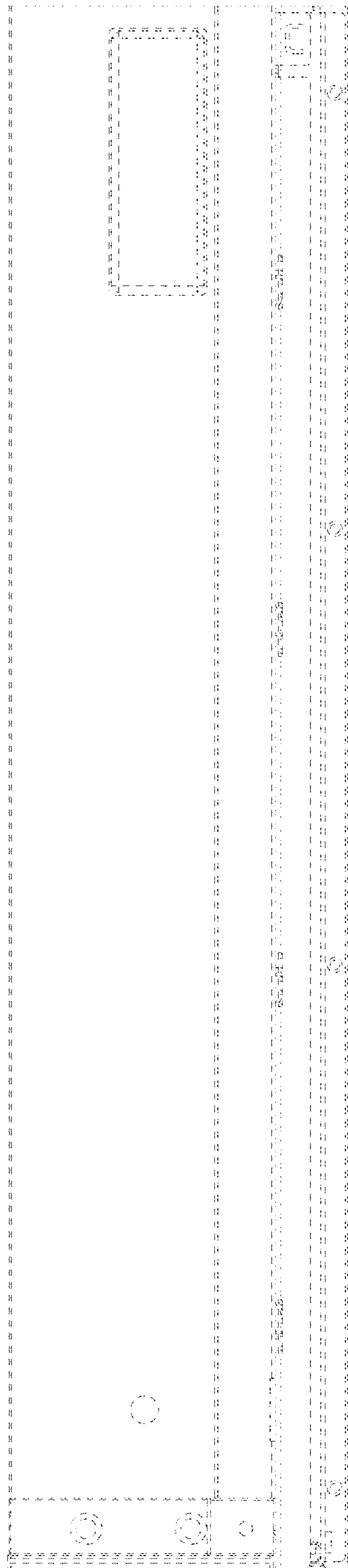


FIG. 3

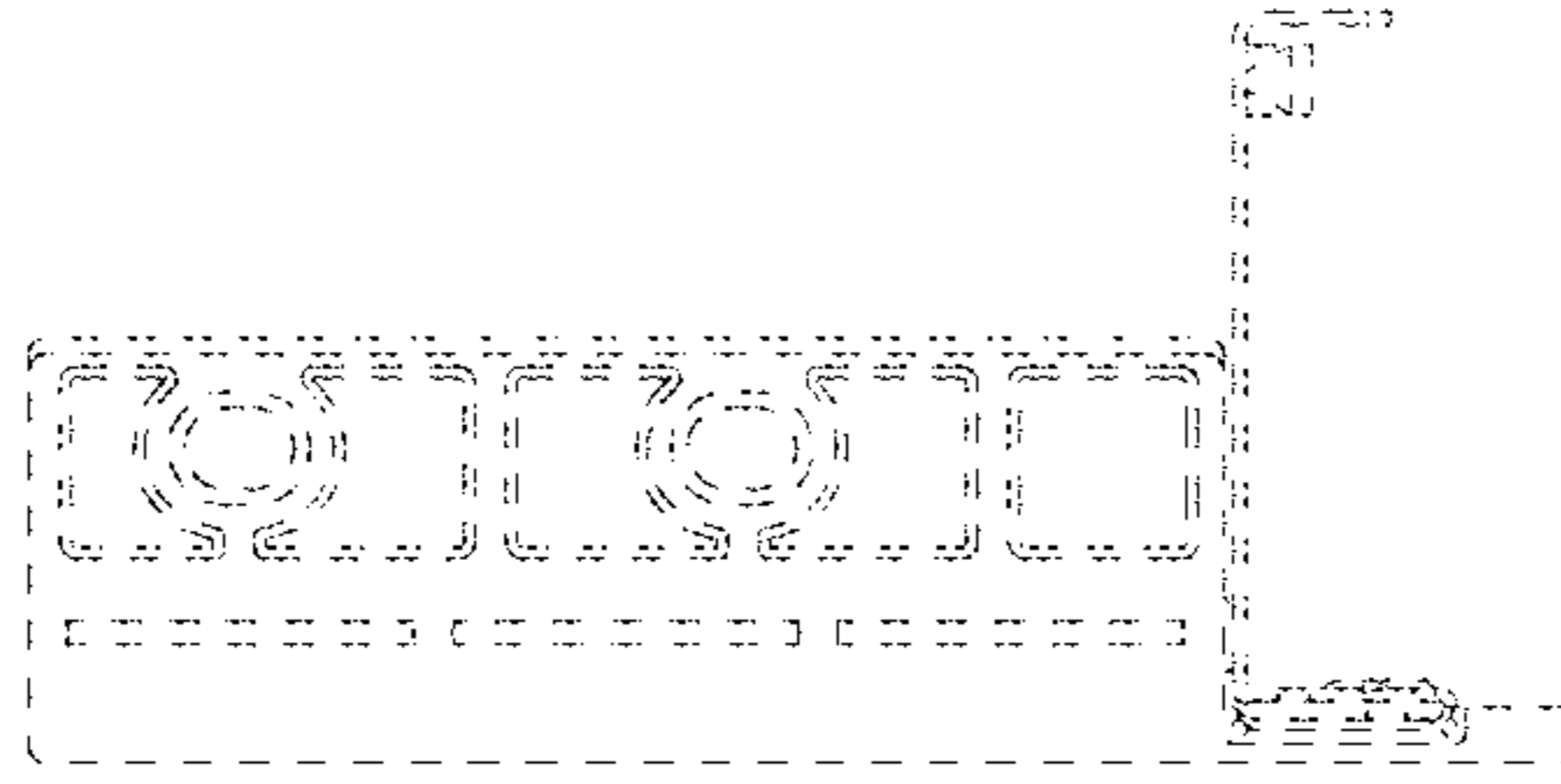


FIG. 4

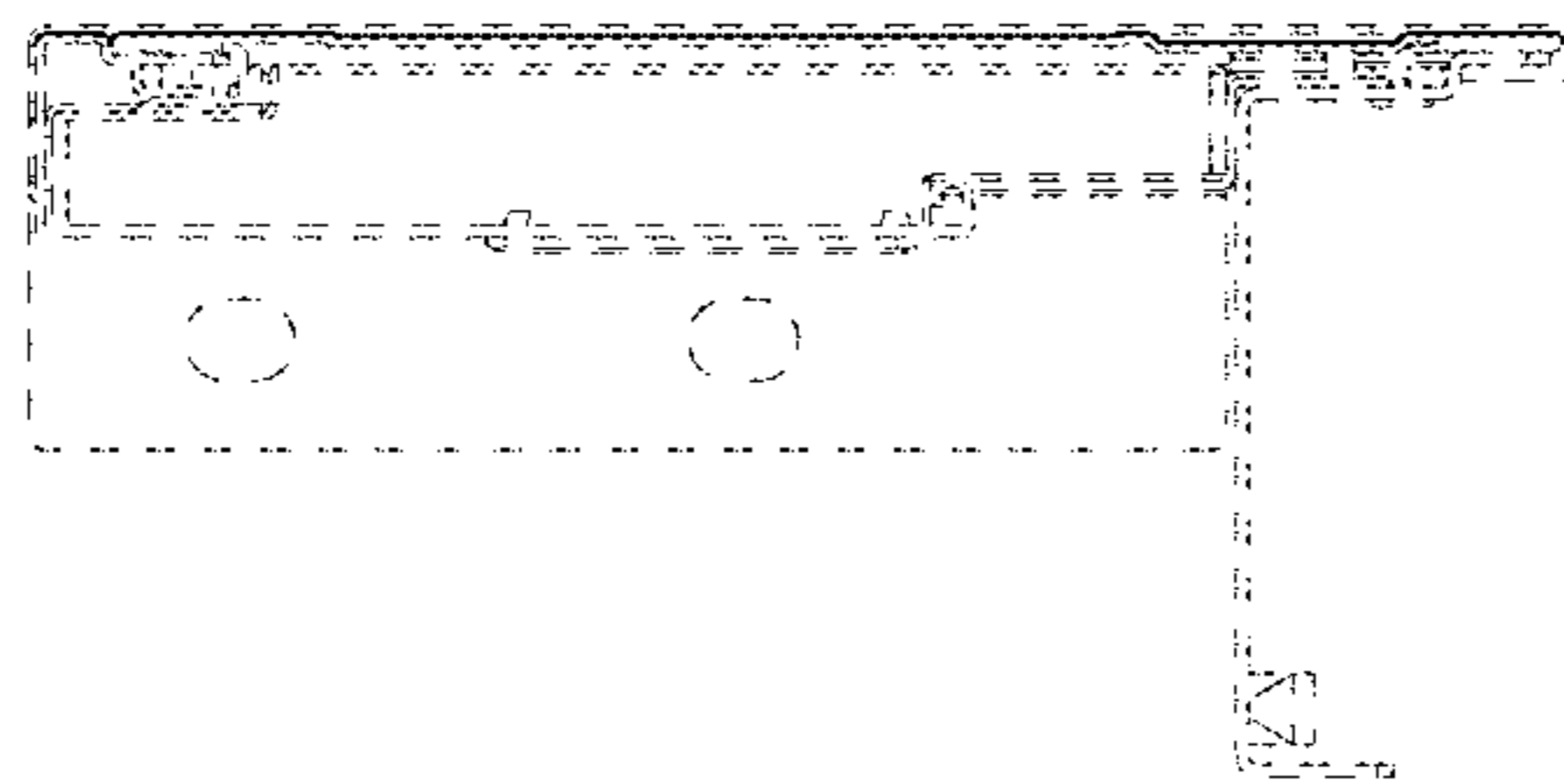


FIG. 5

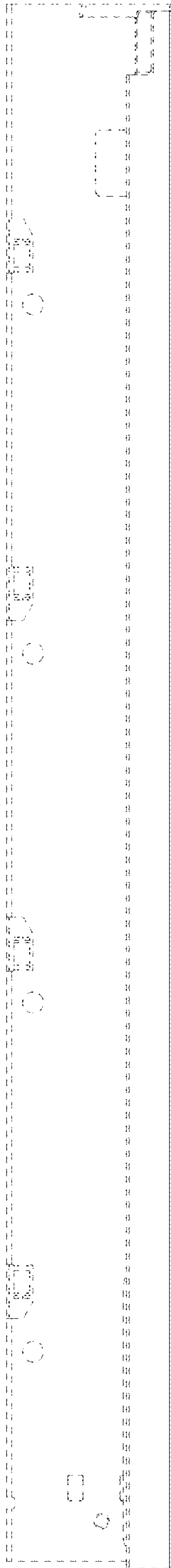


FIG. 6

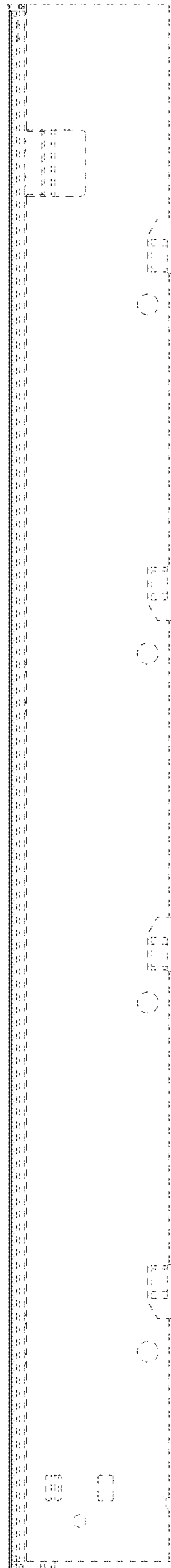


FIG. 7

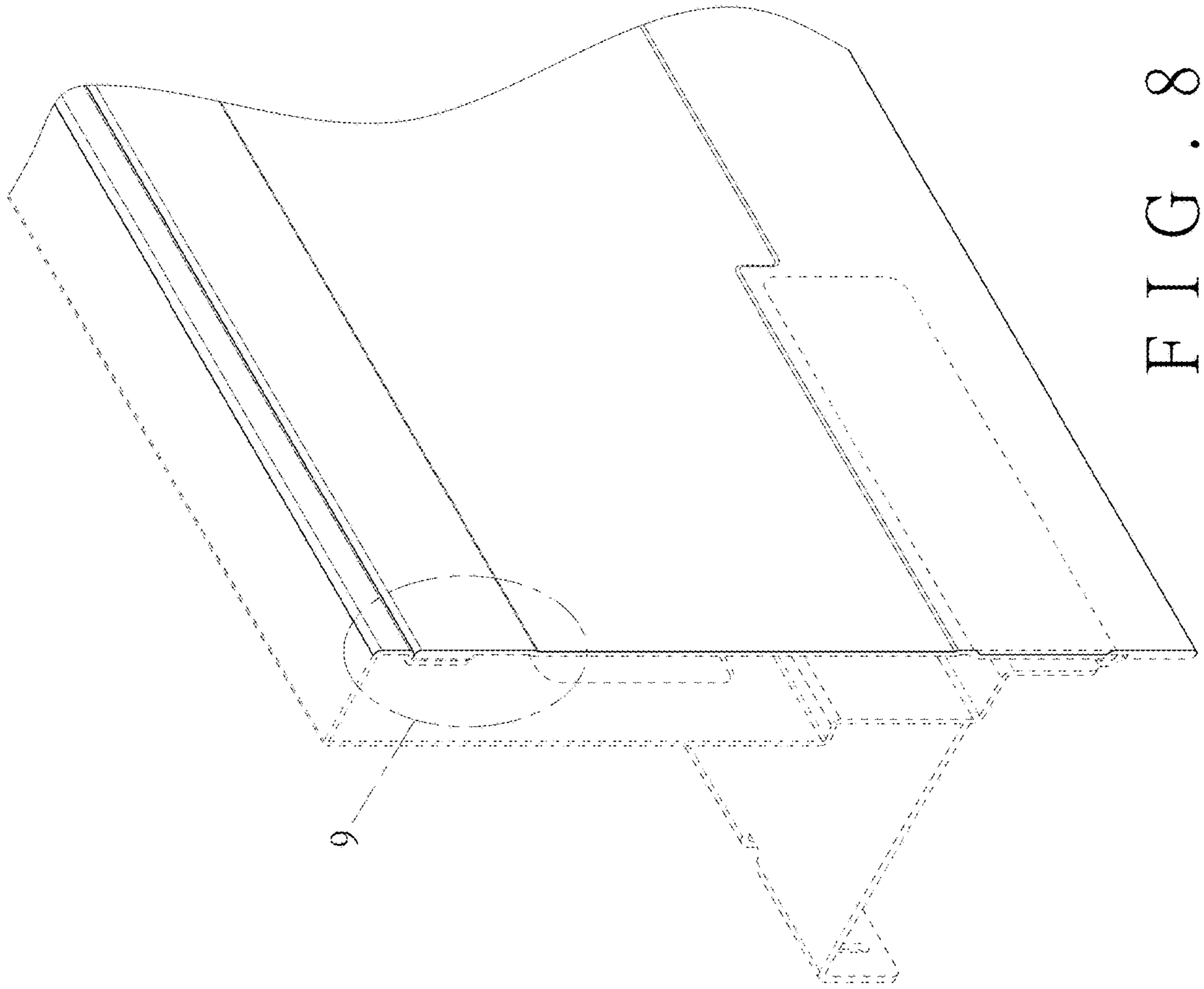


FIG. 8

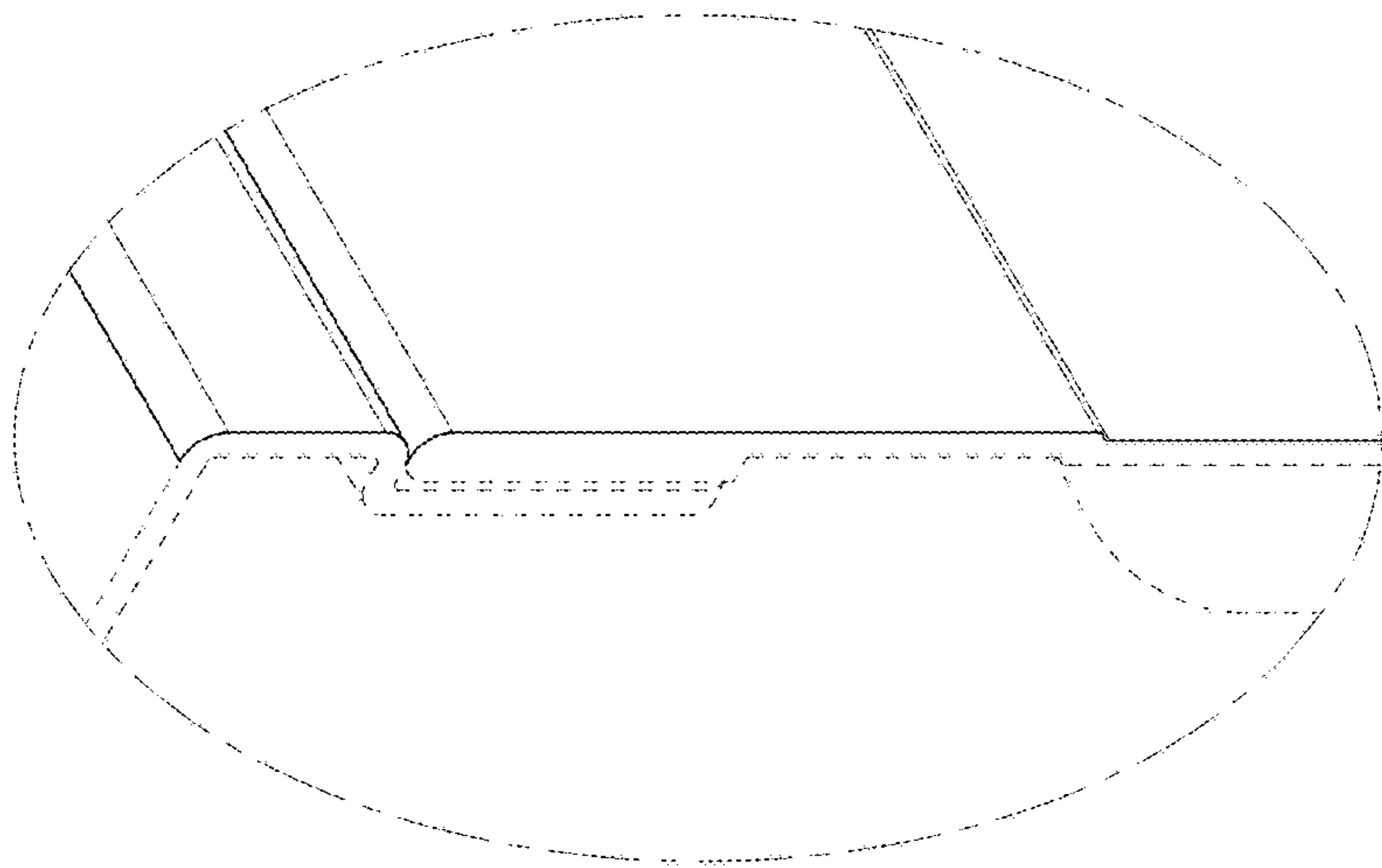


FIG. 9

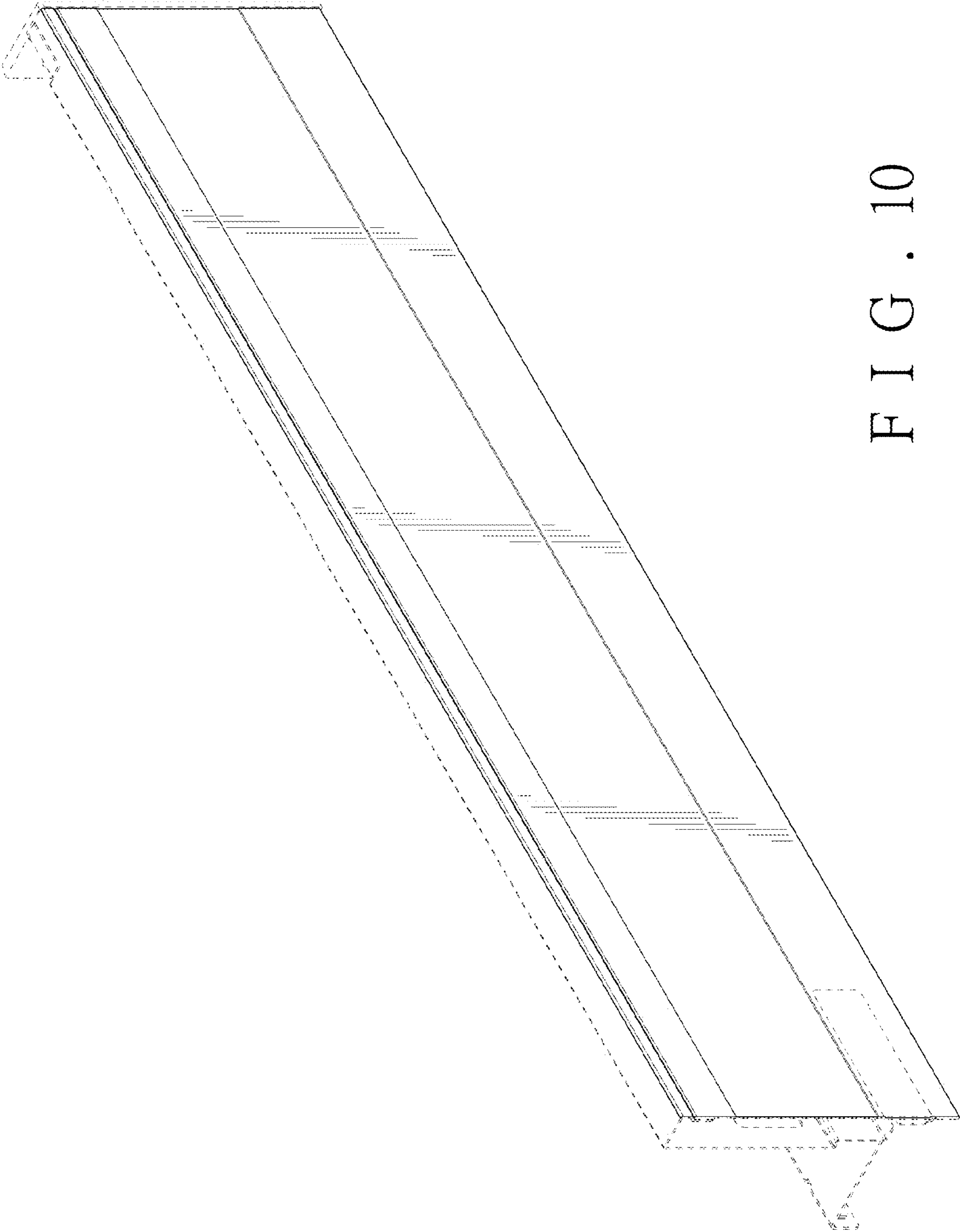


FIG. 10

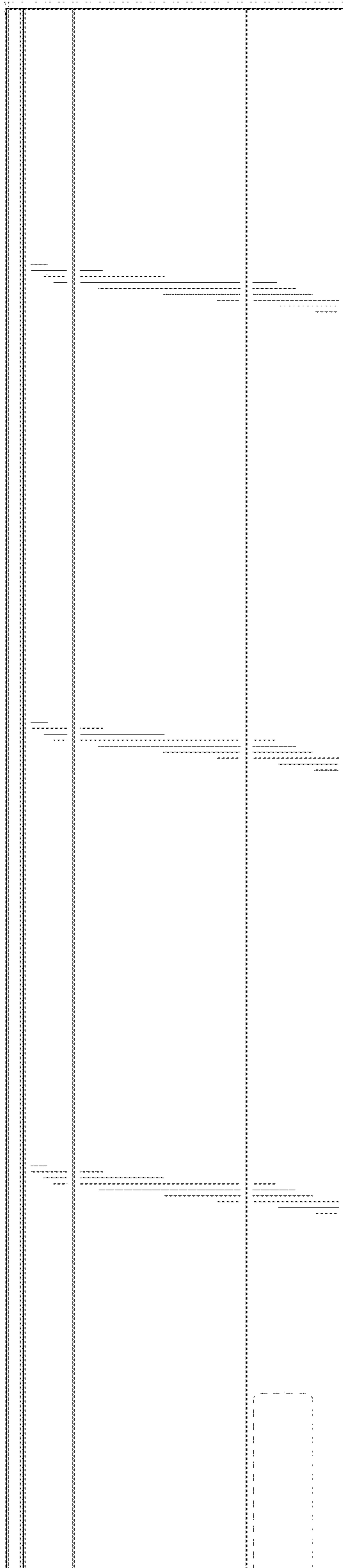


FIG. 11

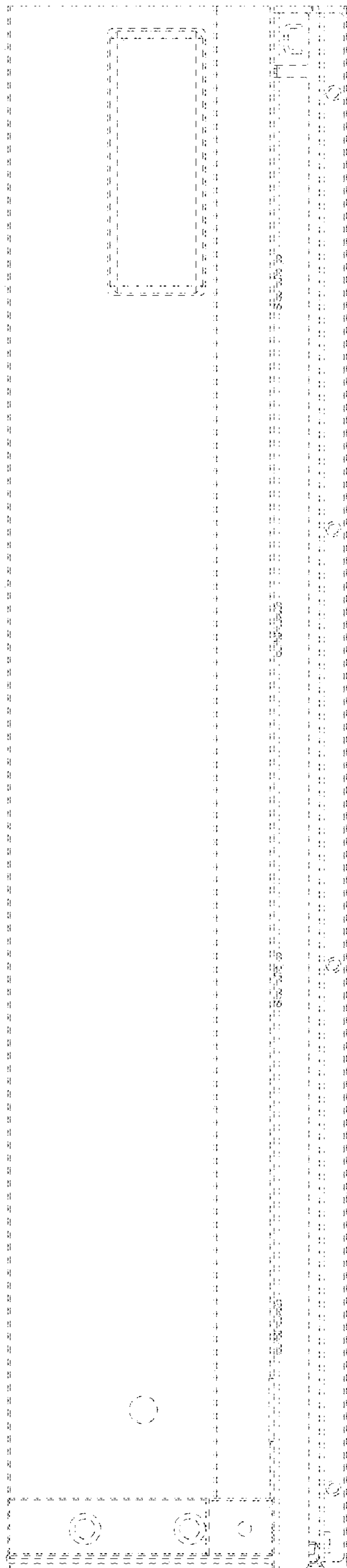


FIG. 12

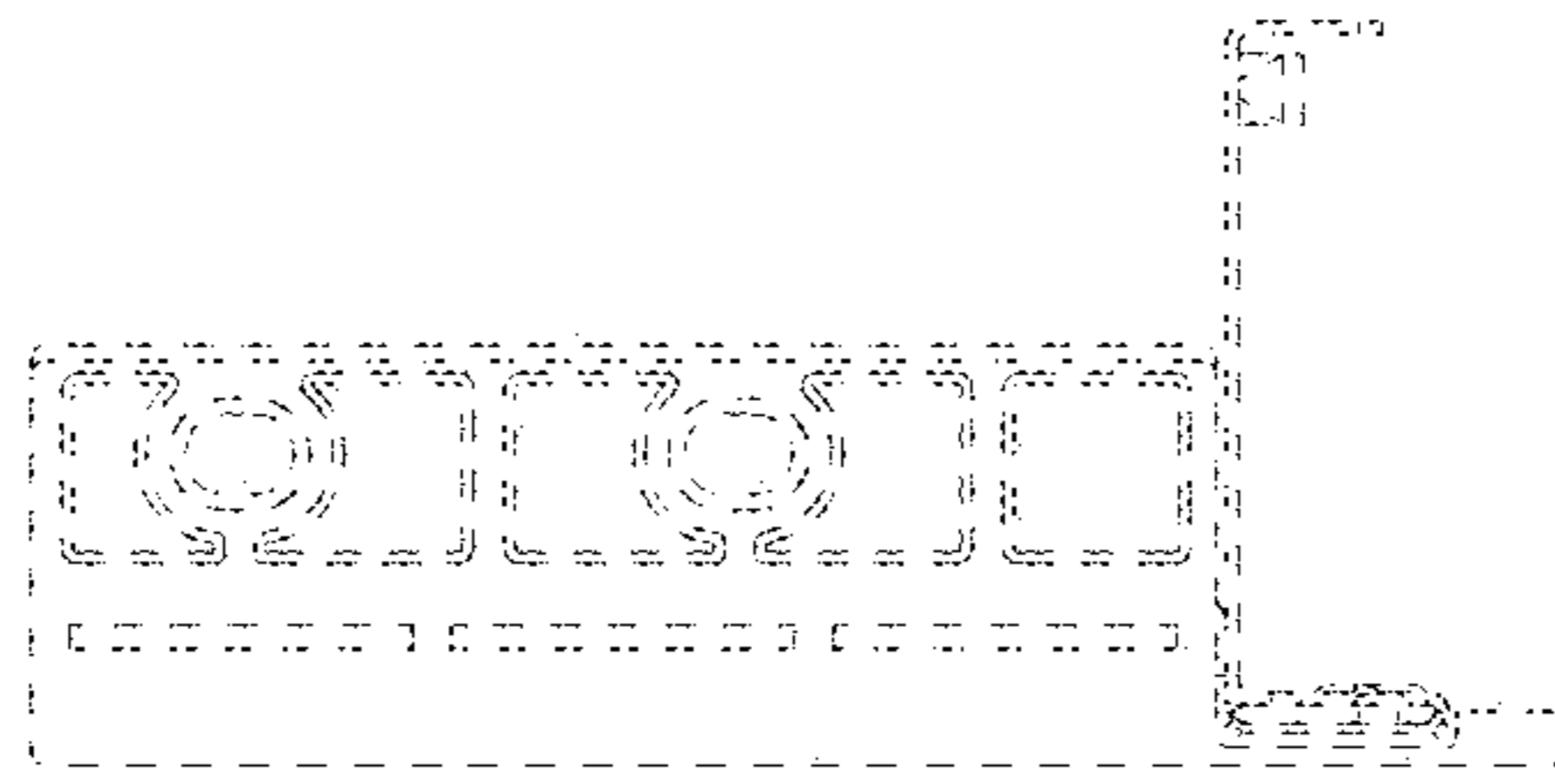


FIG. 13

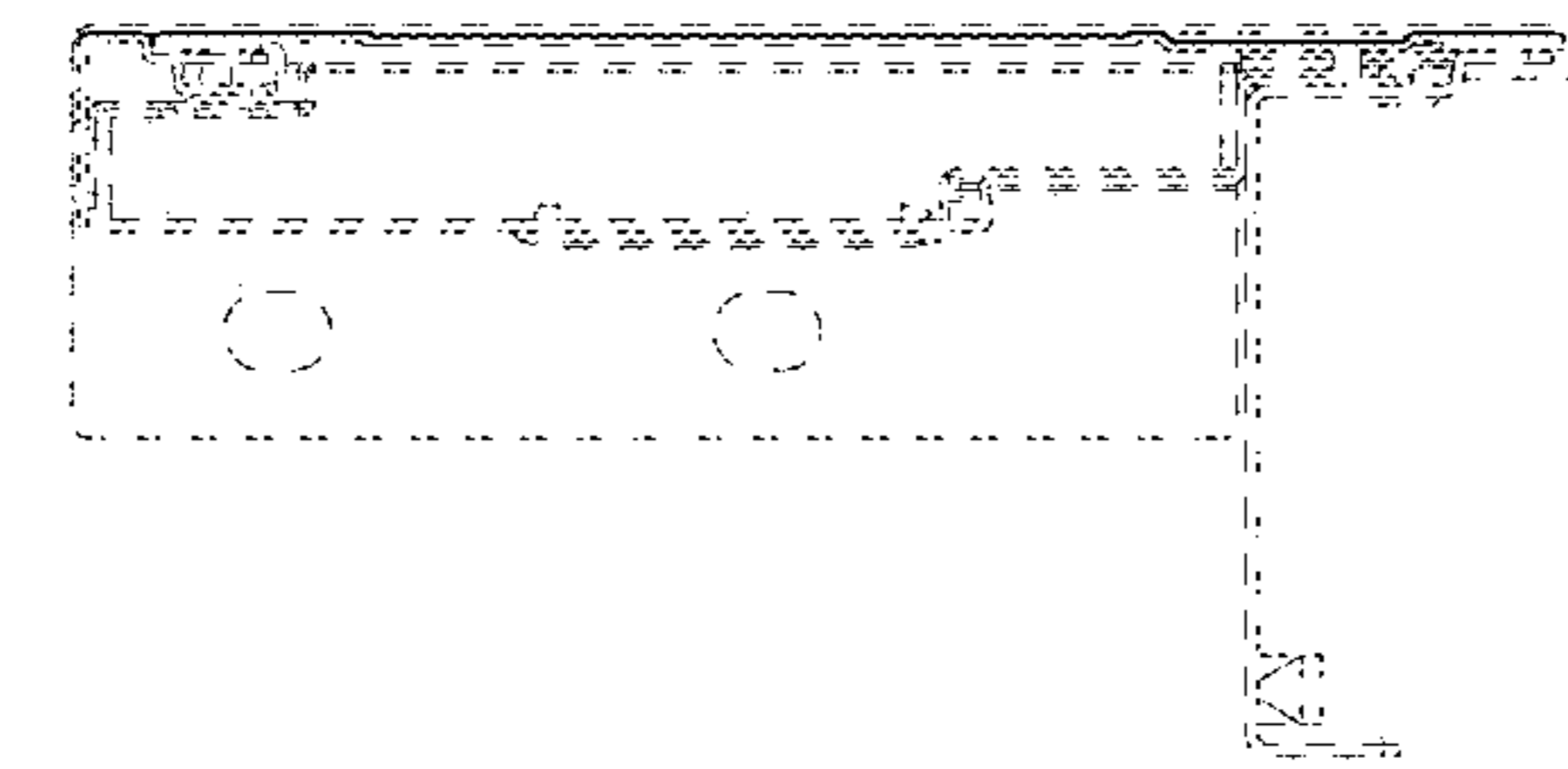


FIG. 14

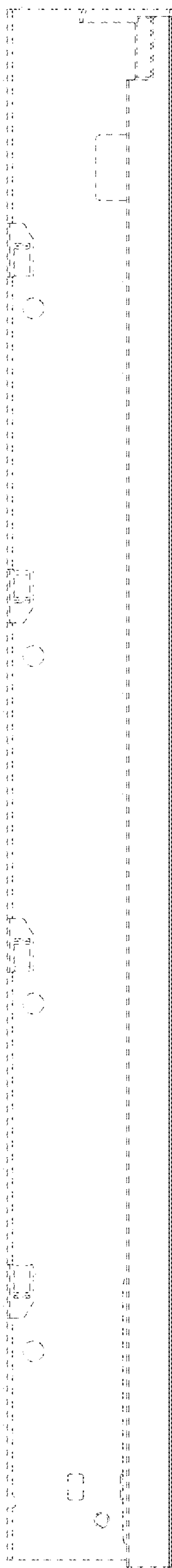


FIG. 15

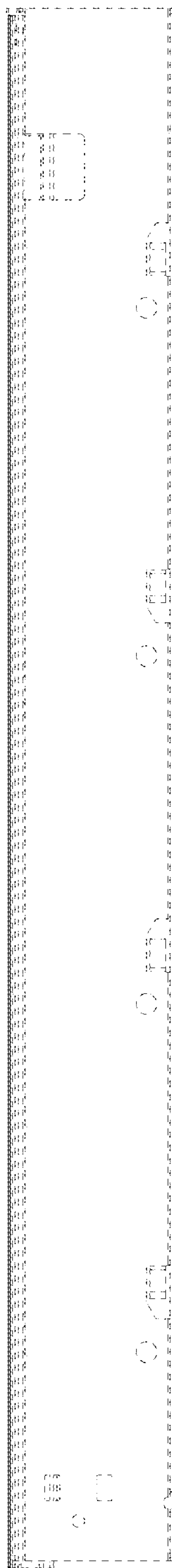


FIG. 16

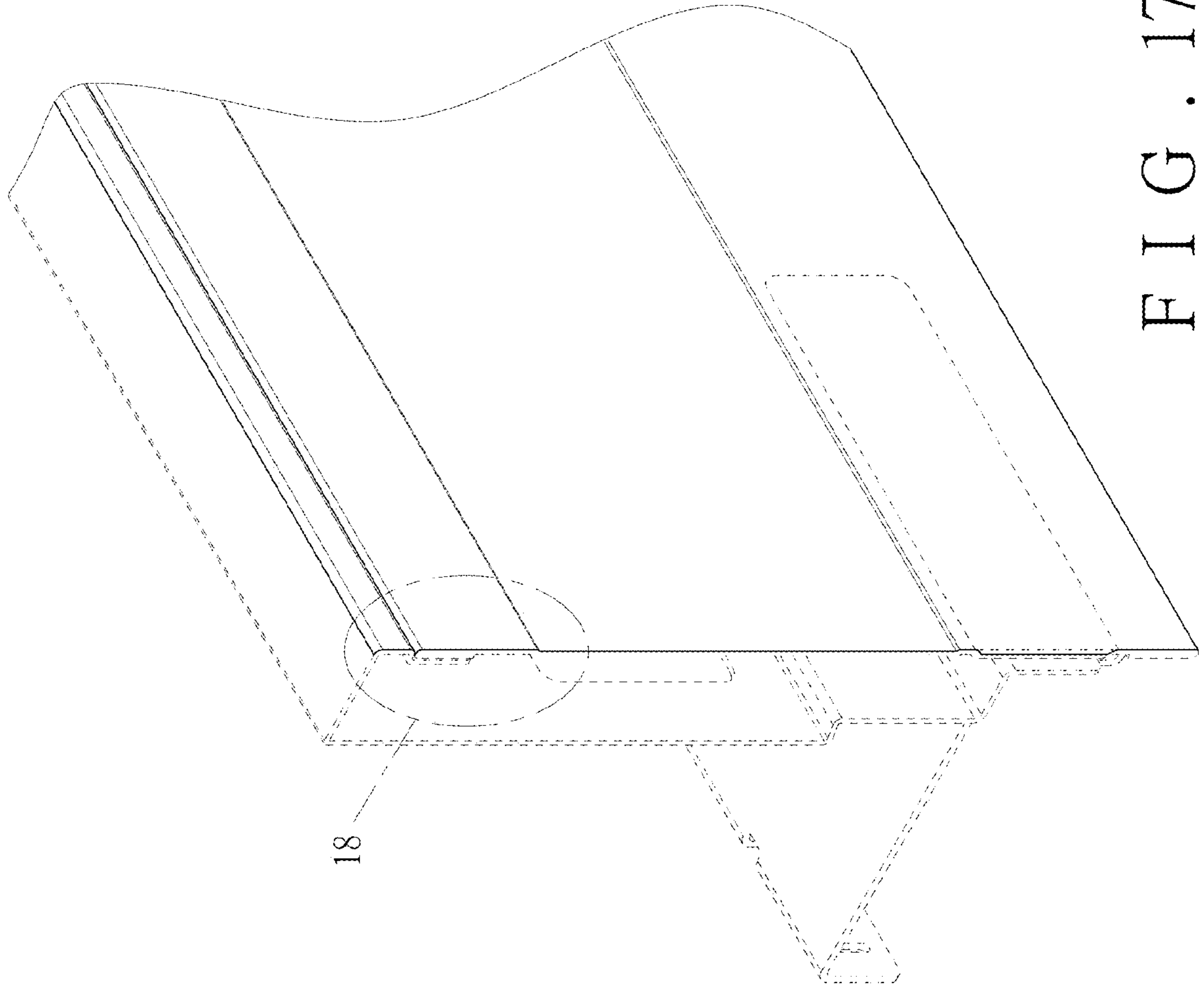


FIG. 17

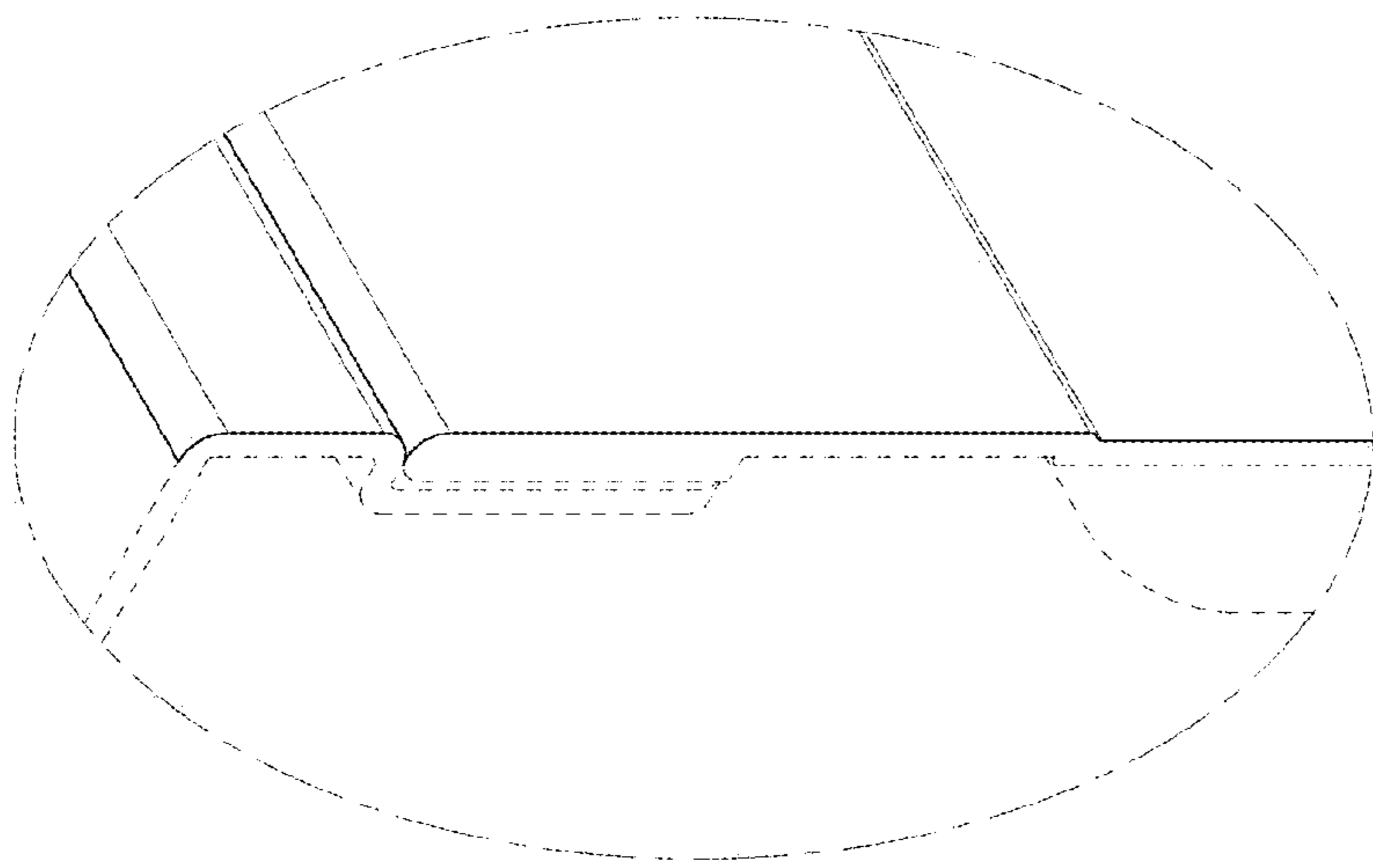


FIG. 18