

US00D892522S

(12) **United States Design Patent**
Simonetti

(10) **Patent No.:** **US D892,522 S**

(45) **Date of Patent:** **** Aug. 11, 2020**

(54) **TABLE**

(71) Applicant: **PLAST-MECCANICA SOCIETA'**
PER AZIONI, Castelbellino (AN) (IT)

(72) Inventor: **Lorenzo Simonetti**, Jesi (IT)

(73) Assignee: **PLAST-MECCANICA SOCIETA'**
PER AZIONI, Castelbellino (AN) (IT)

(**) Term: **15 Years**

(21) Appl. No.: **29/678,826**

(22) Filed: **Jan. 31, 2019**

(51) **LOC (12) Cl.** **06-03**

(52) **U.S. Cl.**
USPC **D6/690; D6/691**

(58) **Field of Classification Search**
USPC D6/349, 685, 686, 690, 691, 691.1-691.9
CPC .. A47B 7/00; A47B 9/00; A47B 13/00; A47B
13/02; A47B 13/04; A47B 13/06; A47B
13/08; A47B 13/10; A47B 17/00; A47B
19/00; A47B 21/00; A47B 2200/0001;
A47B 2200/0011; A47B 2200/002
See application file for complete search history.

(56) **References Cited**

U.S. PATENT DOCUMENTS

D224,494 S * 8/1972 Kerman D6/691.8
D227,329 S * 6/1973 Grossman D6/690

D306,243 S * 2/1990 Livi D6/690
D337,211 S * 7/1993 Bergkvist D6/349
D346,704 S * 5/1994 Grosfillex D6/349
D363,189 S * 10/1995 Griphoff D6/691
D367,977 S * 3/1996 Lewis D6/691.8
5,749,555 A * 5/1998 Albrecht A47C 9/025
248/346.01
D444,322 S * 7/2001 Yoshino D6/690
D462,204 S * 9/2002 Ross A47C 9/025
D6/690
D646,912 S * 10/2011 Van Rijn D6/691
D710,135 S * 8/2014 Rasenberg D6/691.8
D852,746 S * 7/2019 Demko D13/119

* cited by examiner

Primary Examiner — Mary Ann Calabrese
(74) *Attorney, Agent, or Firm* — Egbert Law Offices,
PLLC

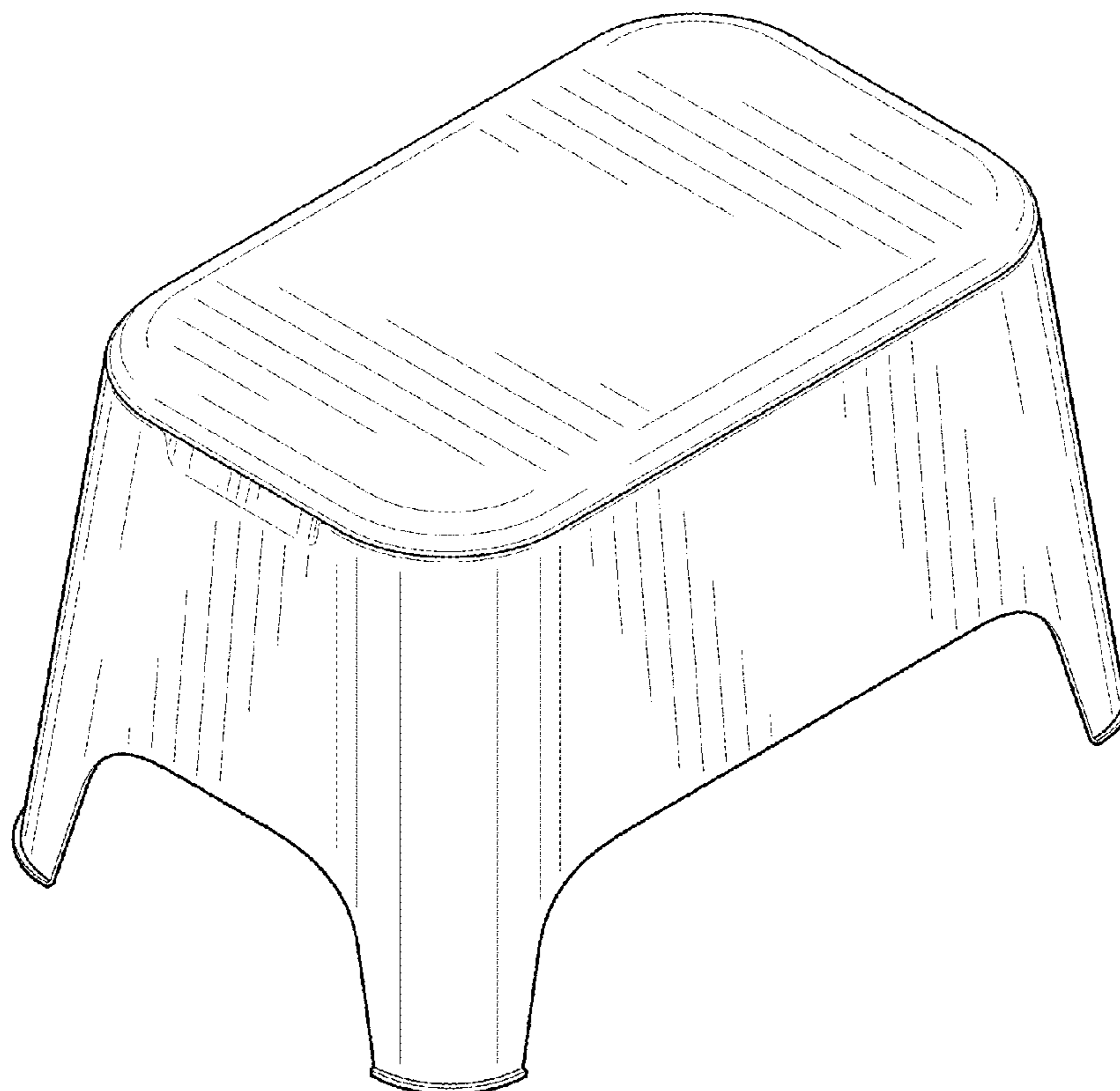
(57) **CLAIM**

The ornamental design for a table, as shown and described.

DESCRIPTION

FIG. 1 is a perspective view of a table showing my new design.
FIG. 2 is a front view thereof, a rear view being identical;
FIG. 3 is a side view thereof, an opposite side view being identical;
FIG. 4 is a top view thereof; and,
FIG. 5 is a bottom view thereof.
The features shown in broken lines illustrate portions of the table that form no part of the claimed design.

1 Claim, 3 Drawing Sheets



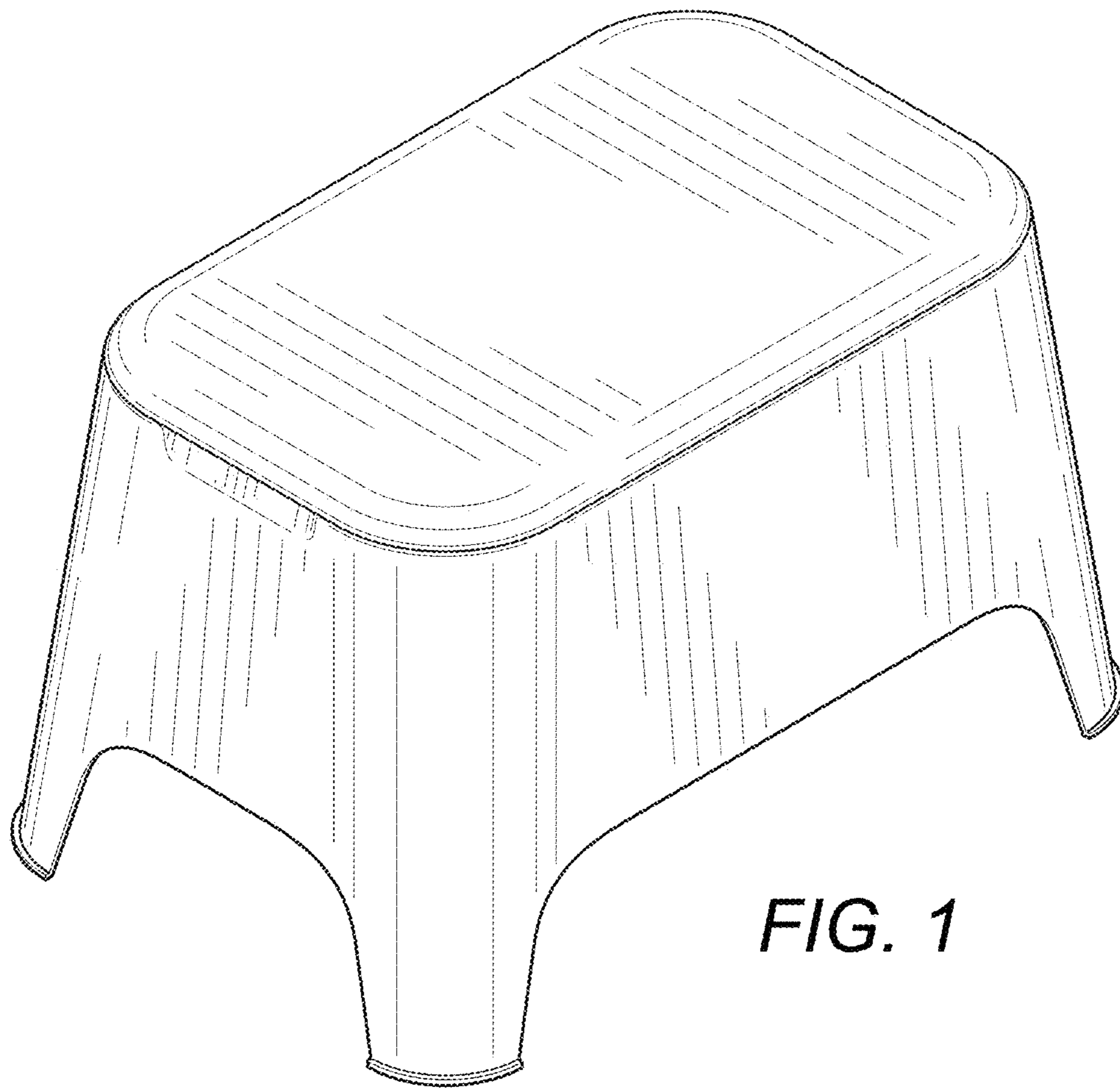


FIG. 1

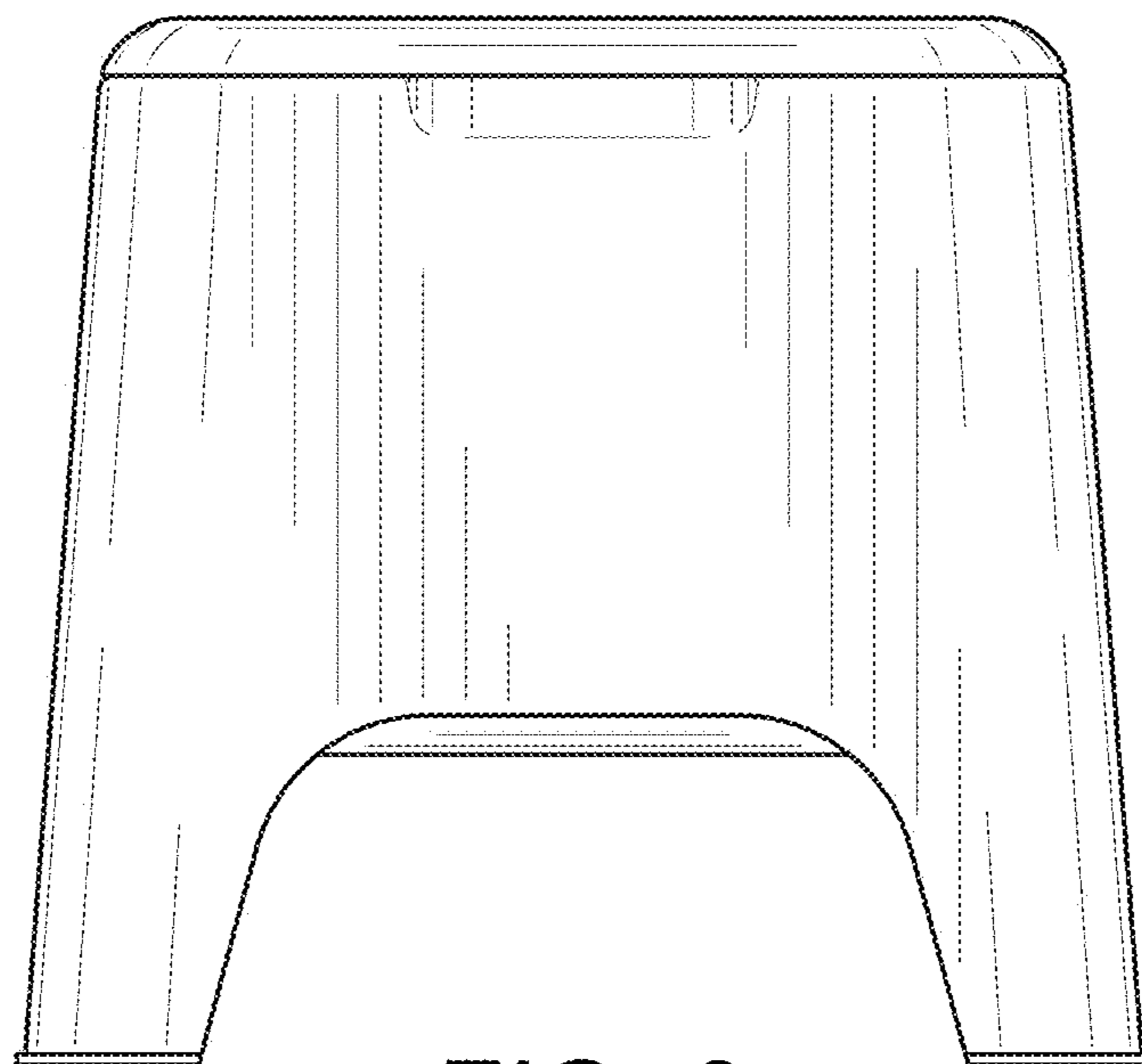


FIG. 2

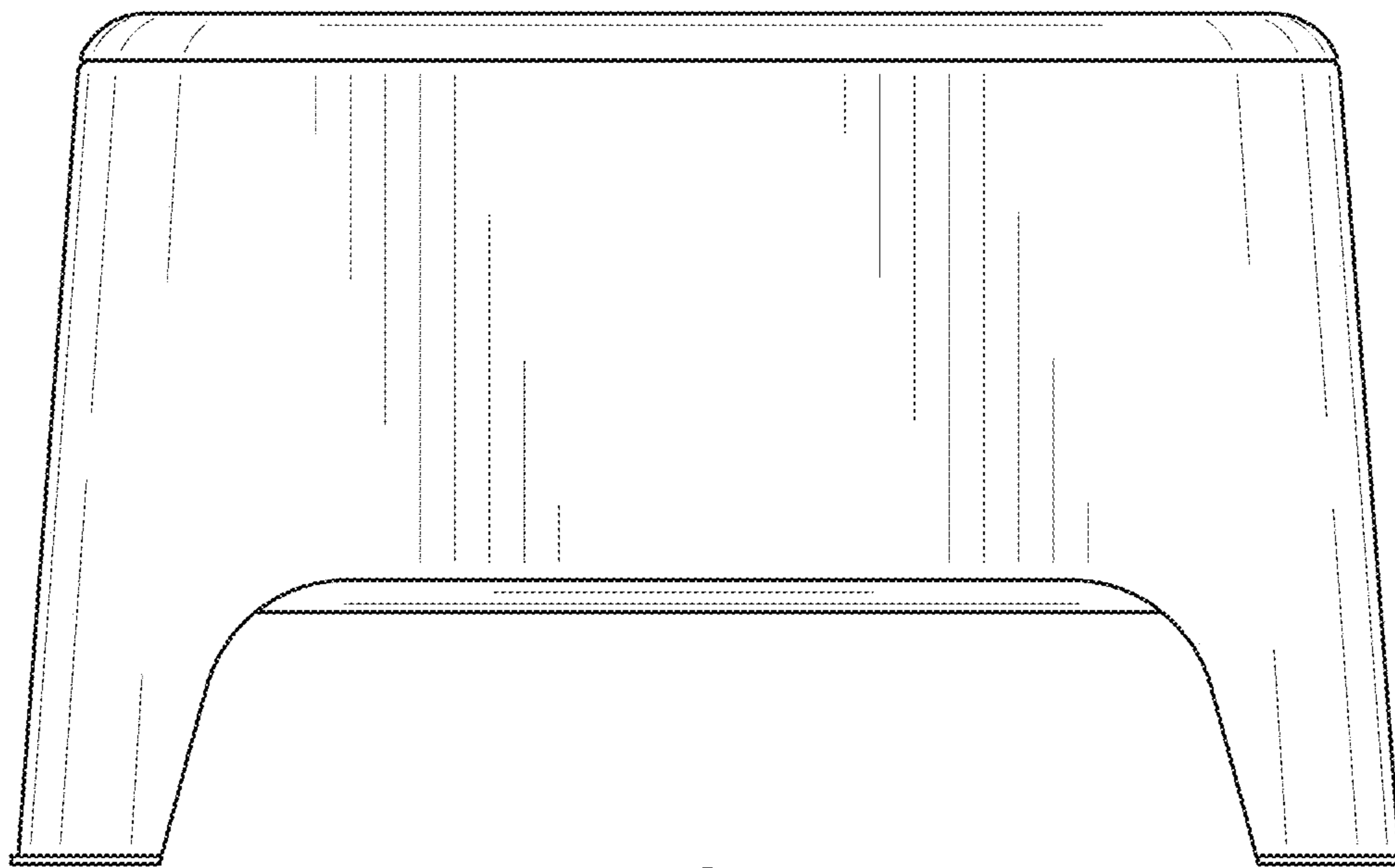


FIG. 3

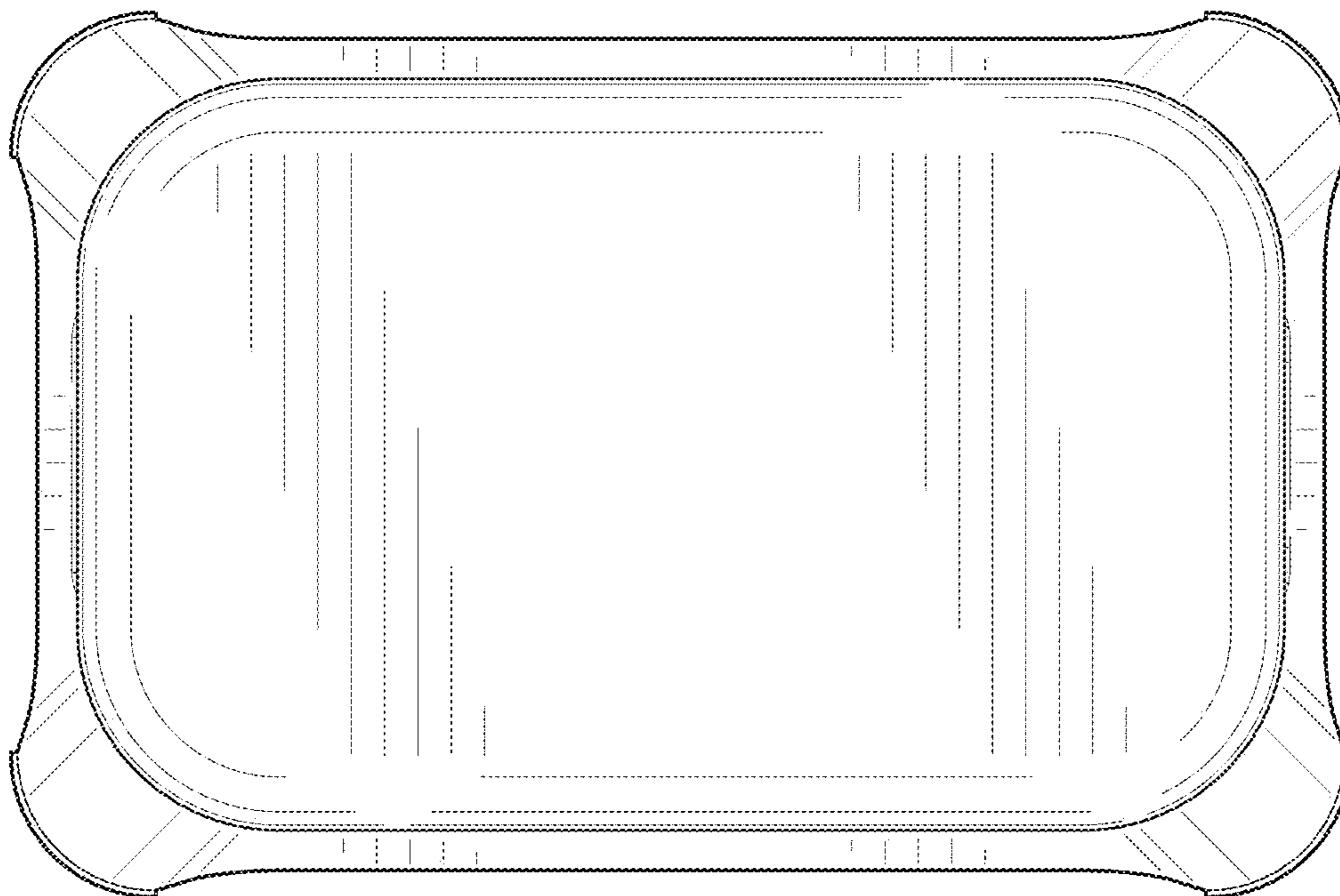


FIG. 4

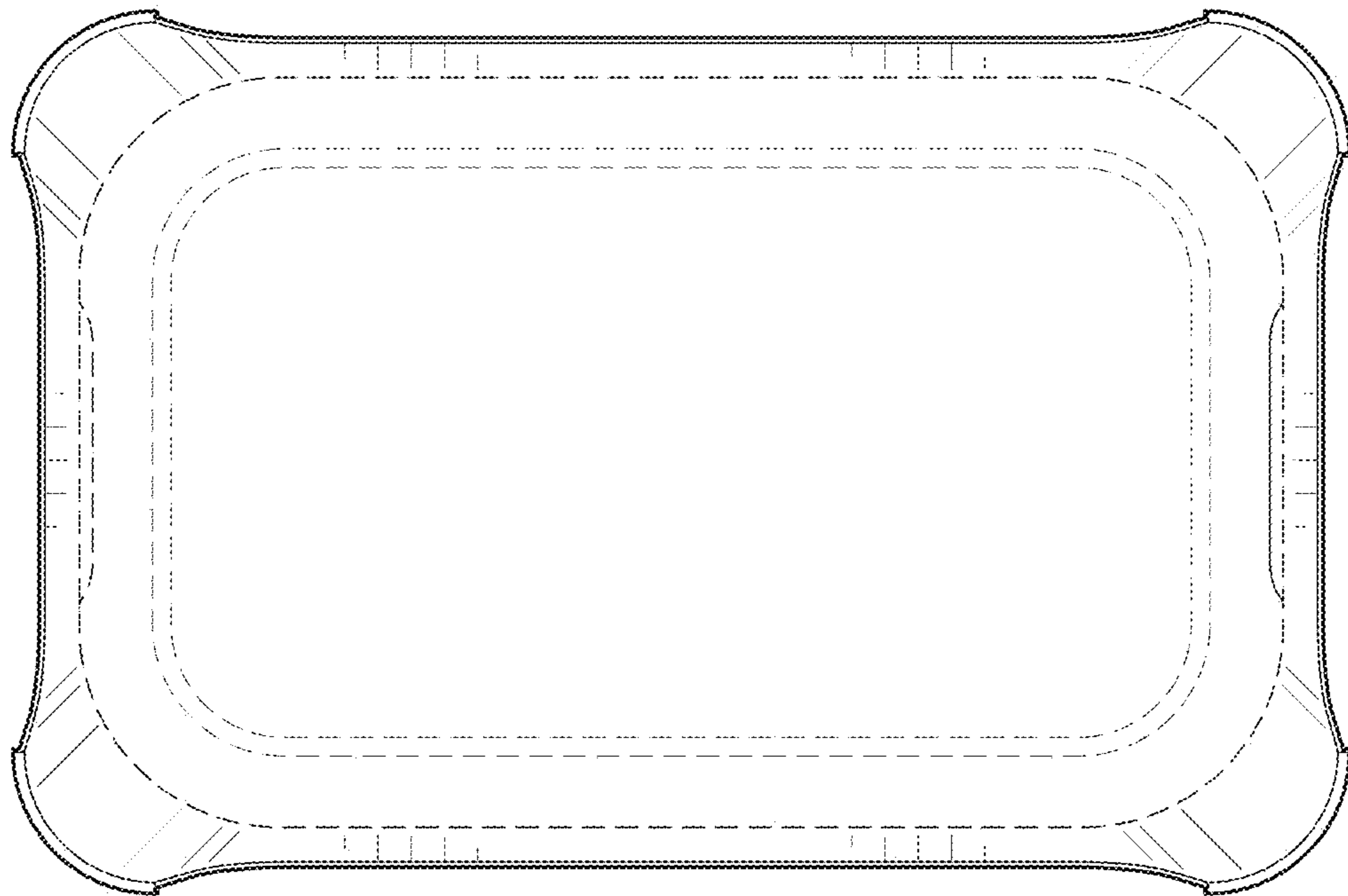


FIG. 5