



US00D892520S

(12) **United States Design Patent**  
**Ensign**

(10) **Patent No.:** **US D892,520 S**

(45) **Date of Patent:** **\*\* Aug. 11, 2020**

(54) **STORAGE ENCLOSURE**

(71) Applicant: **Cari A. Ensign**, Perryvale (CA)

(72) Inventor: **Cari A. Ensign**, Perryvale (CA)

(\*\*) Term: **15 Years**

(21) Appl. No.: **29/657,332**

(22) Filed: **Jul. 20, 2018**

(51) **LOC (12) Cl.** ..... **06-04**

(52) **U.S. Cl.**  
USPC ..... **D6/667**

(58) **Field of Classification Search**  
USPC ..... D6/321, 663, 664, 664.1, 667, 668, 669,  
D6/671, 671.2, 672, 673  
CPC ..... A47B 46/00; A47B 55/00; A47B 57/00;  
A47B 61/00; A47B 67/00; A47B 67/005;  
A47B 67/02; A47B 67/04; A47B 73/00;  
A47B 73/004; A47B 83/00; A47B 83/001  
See application file for complete search history.

(56) **References Cited**

**U.S. PATENT DOCUMENTS**

- 3,957,038 A \* 5/1976 Roberts ..... A61H 23/02  
601/1
- D347,128 S \* 5/1994 Ball ..... D6/671.4
- 5,358,263 A 10/1994 Aldus et al.
- D468,555 S \* 1/2003 Romaen ..... D6/667
- 7,073,857 B1 7/2006 Bailey
- 7,197,989 B2 4/2007 Apps
- D658,374 S 5/2012 Anderson et al.
- D664,767 S \* 8/2012 Shewmaker ..... D3/294
- D711,103 S 8/2014 Wu et al.

- D715,048 S 10/2014 Donnelly et al.
- D715,049 S 10/2014 Fischer, Jr. et al.
- D715,050 S 10/2014 Uffner et al.
- D717,542 S 11/2014 Vogler et al.
- D723,803 S 3/2015 Thuma et al.
- 2014/0265780 A1\* 9/2014 Graham ..... A47B 96/20  
312/300

\* cited by examiner

*Primary Examiner* — R. Johnson

(74) *Attorney, Agent, or Firm* — Cramer Patent & Design, PLLC; Aaron R. Cramer

(57) **CLAIM**

The ornamental design for a storage enclosure, as shown and described.

**DESCRIPTION**

FIG. 1 is a perspective top front right view of a storage enclosure with a lid in a closed position, showing my new design;

FIG. 2 is a perspective top front right view of a storage enclosure with a lid in an open position, showing my new design thereof;

FIG. 3 is a front elevation view thereof, with the lid in a closed position;

FIG. 4 is a rear elevation view thereof;

FIG. 5 is a left elevation view thereof;

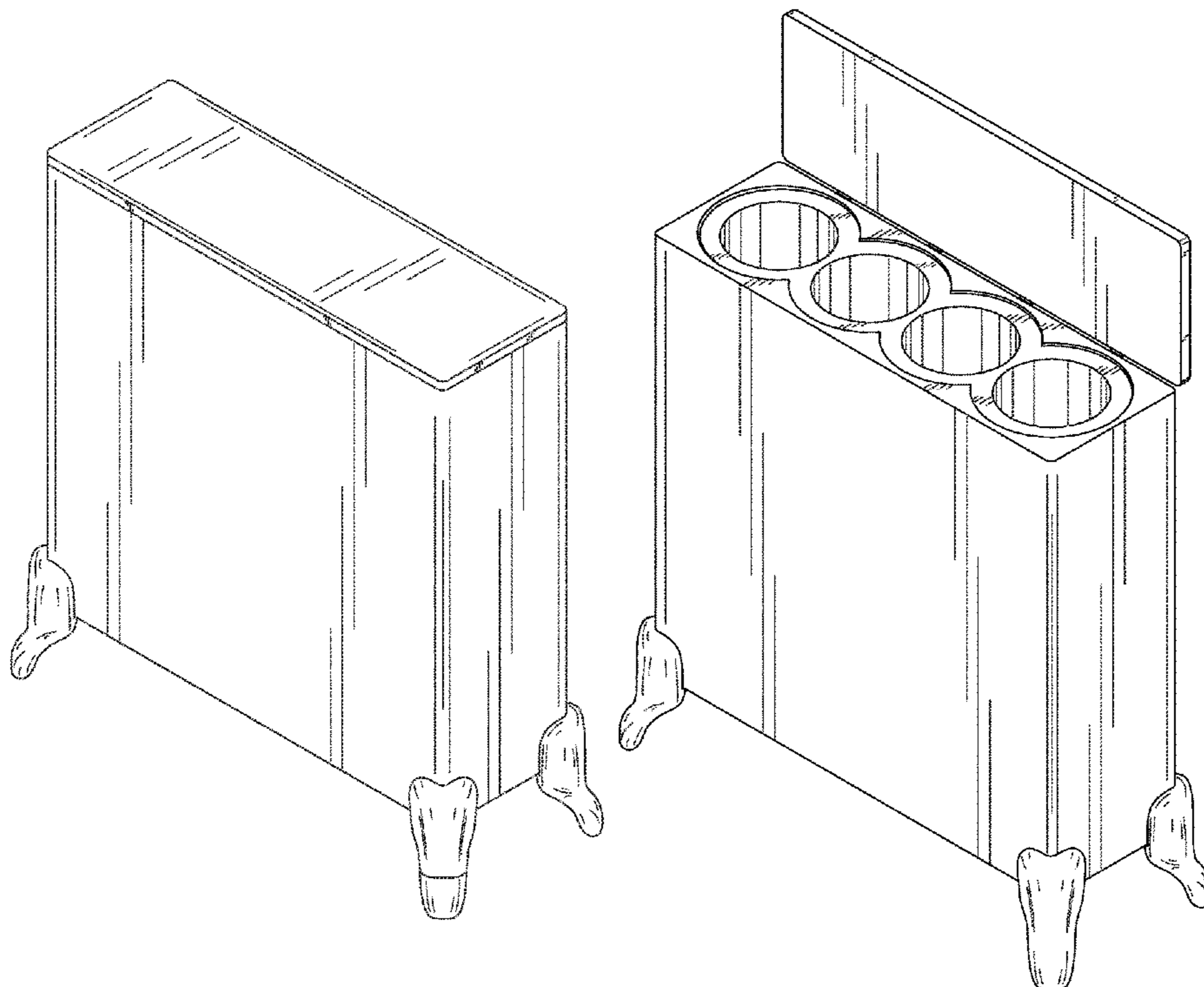
FIG. 6 is a right elevation view thereof;

FIG. 7 is a top plan view thereof;

FIG. 8 is a bottom plan view thereof; and,

FIG. 9 is a cross-sectional view taken at line 9-9 in FIG. 3.

**1 Claim, 9 Drawing Sheets**



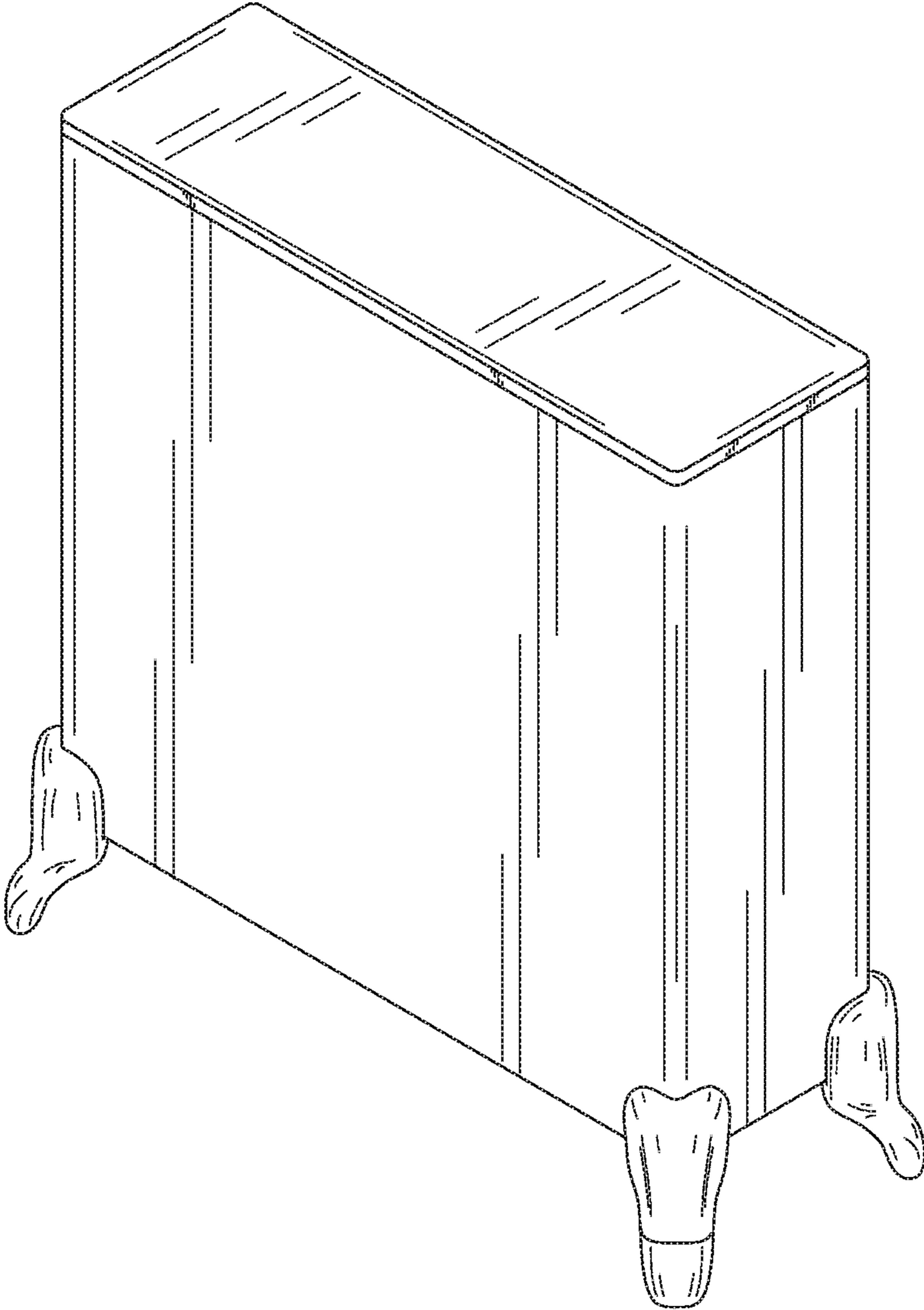


FIG. 1

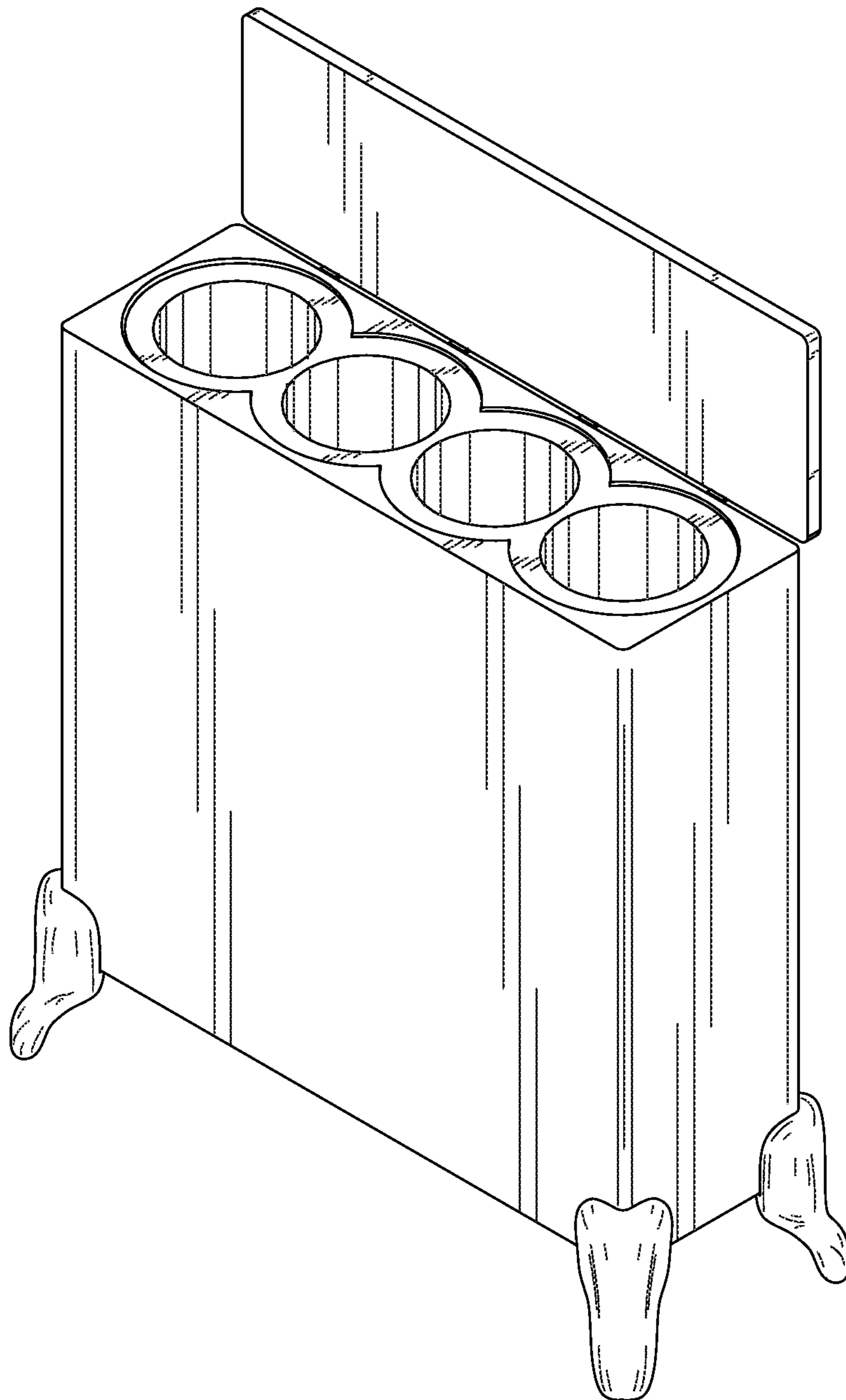


FIG. 2

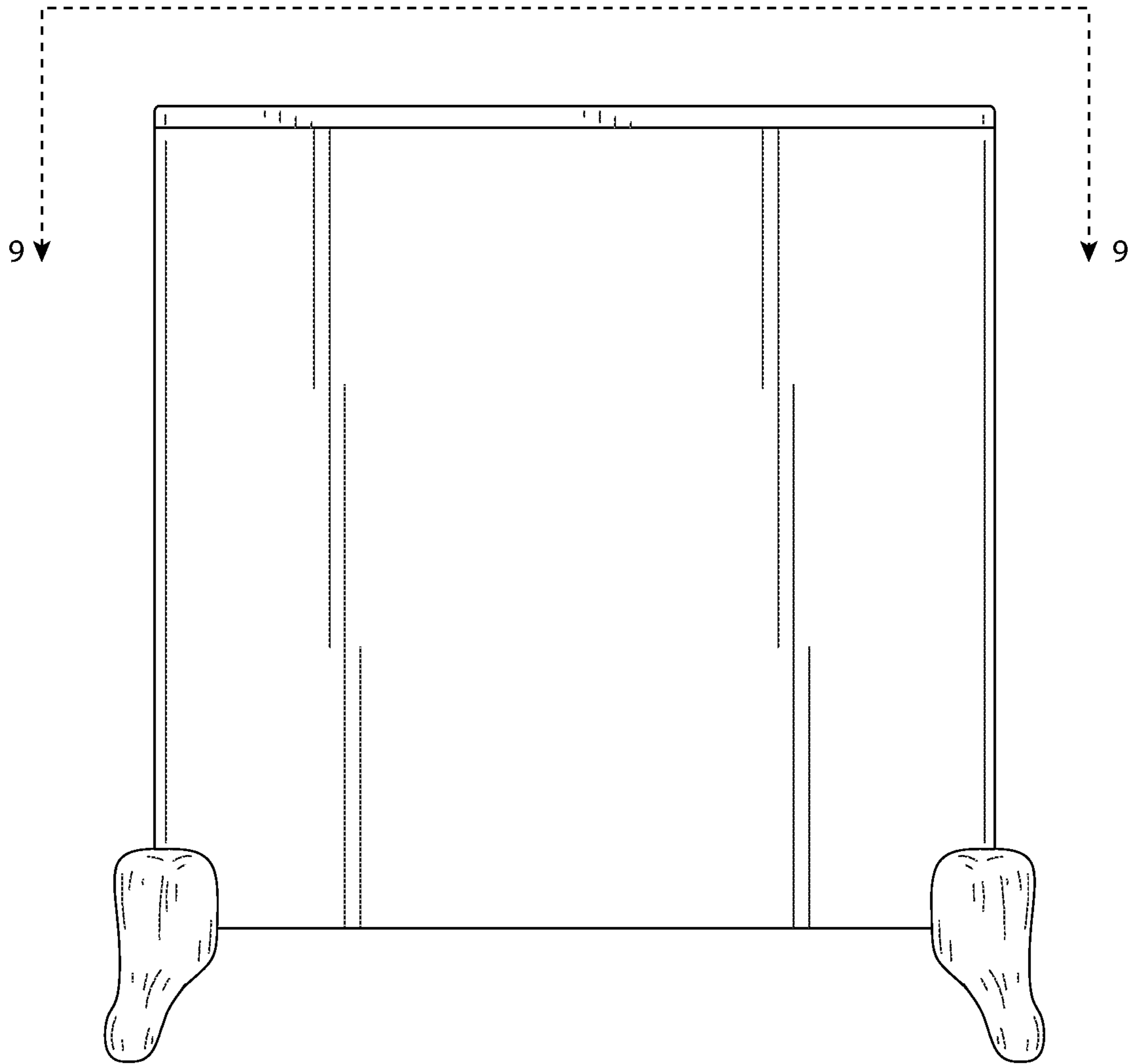


FIG. 3

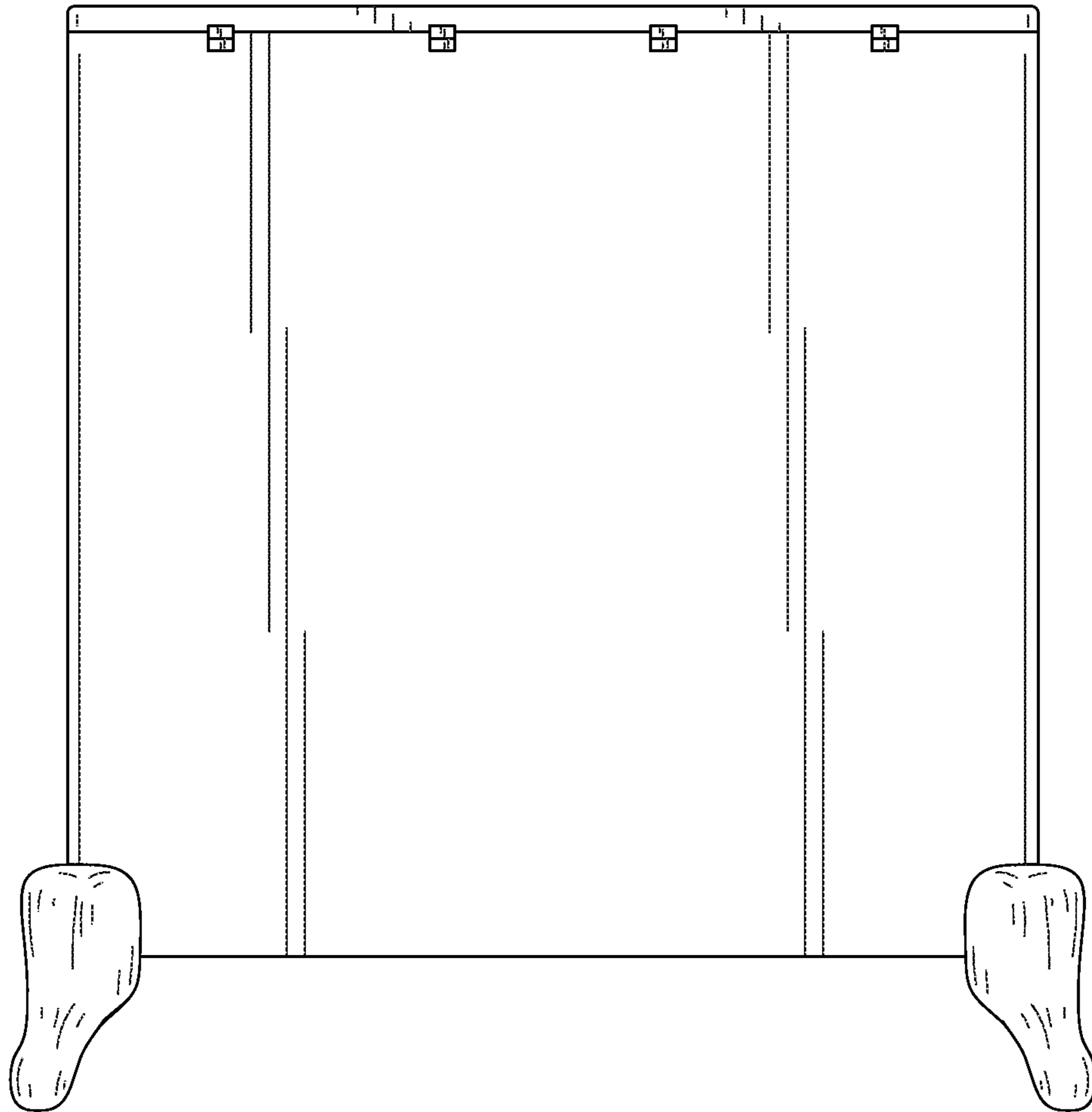


FIG. 4

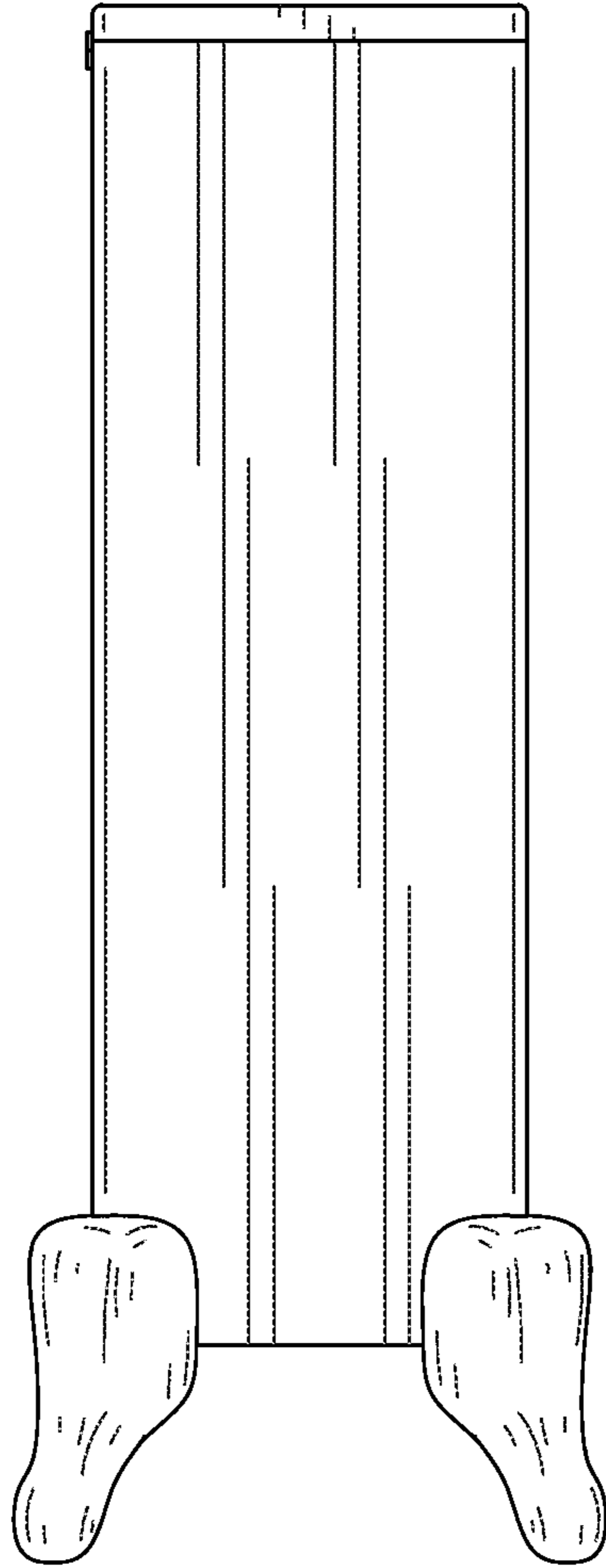


FIG. 5

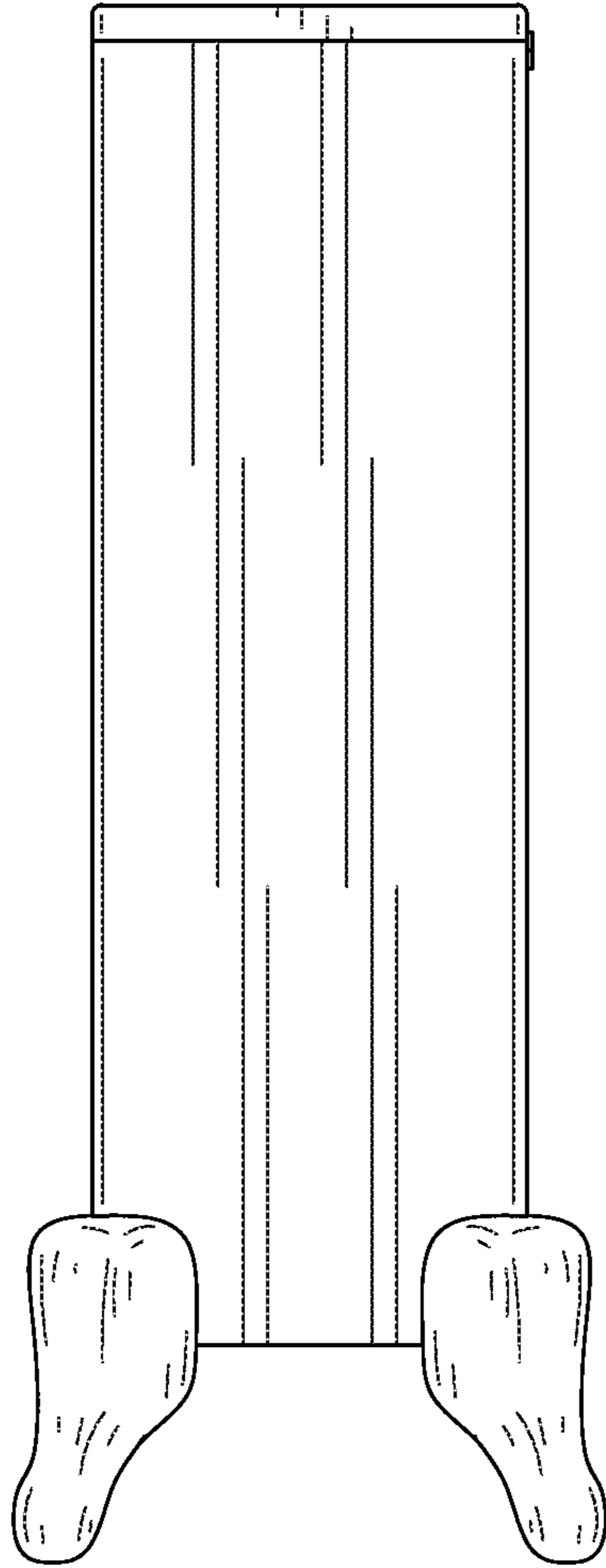


FIG. 6

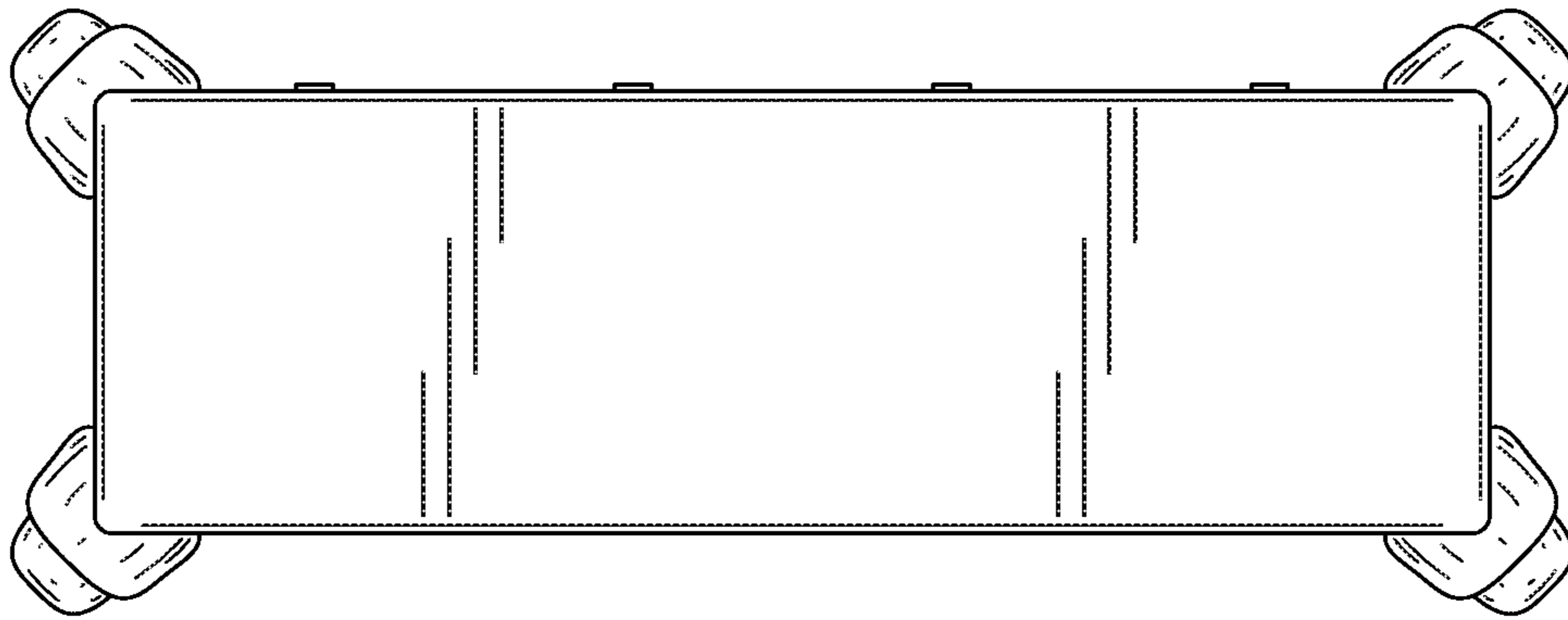


FIG. 7



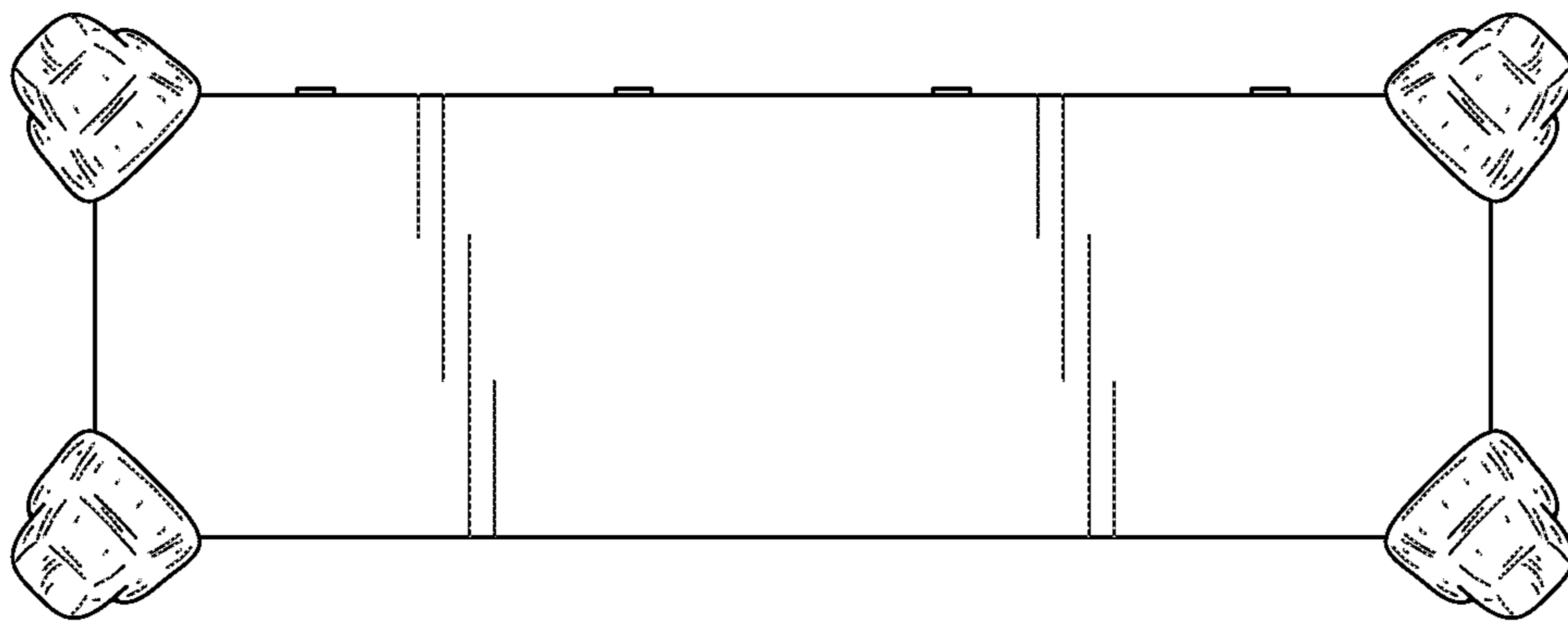


FIG. 8

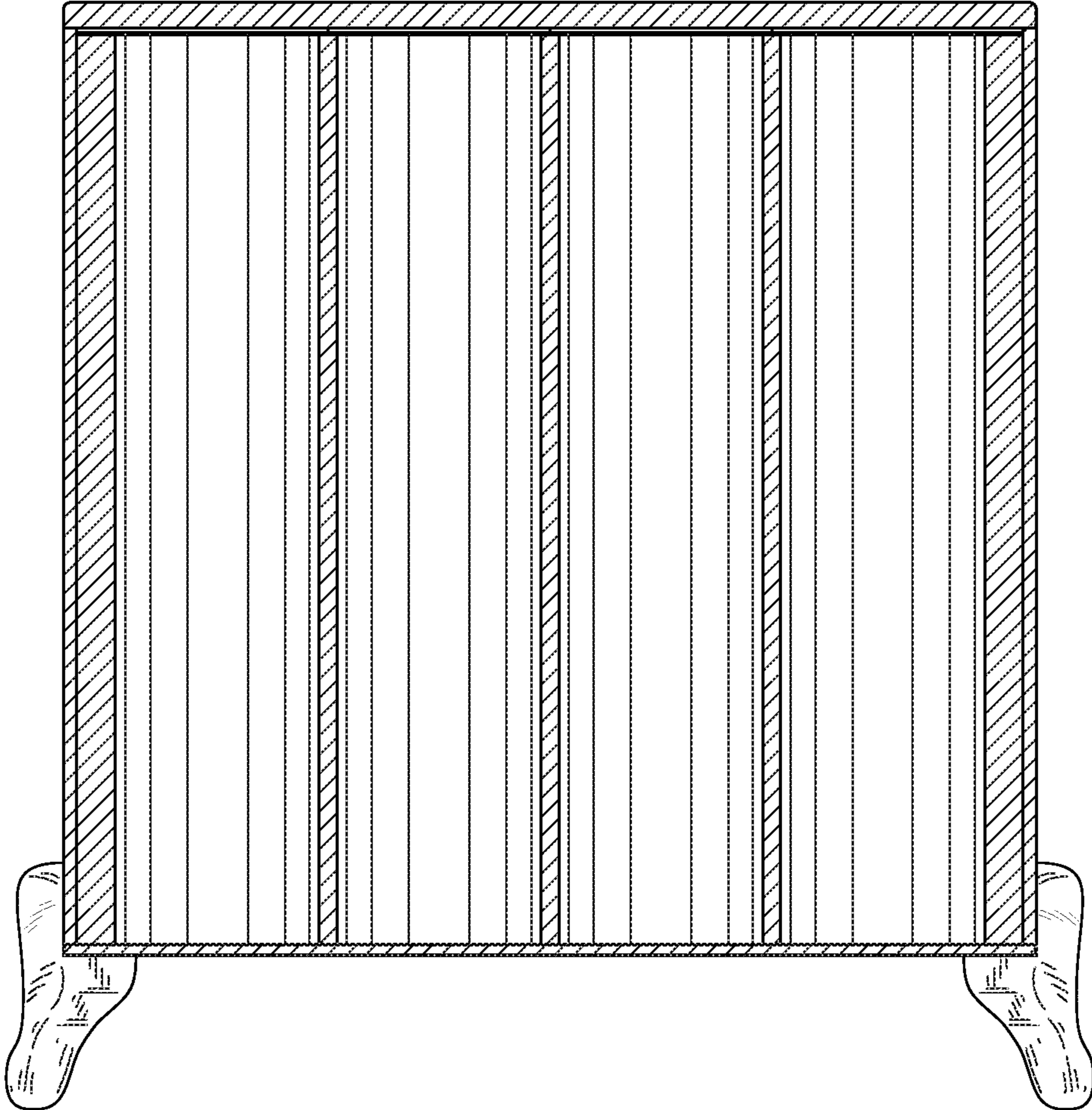


FIG. 9