



US00D892519S

(12) **United States Design Patent** (10) **Patent No.:** **US D892,519 S**
Tefft-Feldman (45) **Date of Patent:** **** Aug. 11, 2020**

(54) **PLACE SETTING OVERLAY FOR A TABLE**

(71) Applicant: **Natalie Tefft-Feldman**, Palm Harbor, FL (US)

(72) Inventor: **Natalie Tefft-Feldman**, Palm Harbor, FL (US)

(73) Assignee: **Celebration Innovations, LLC**

(**) Term: **15 Years**

(21) Appl. No.: **29/691,520**

(22) Filed: **May 16, 2019**

(51) **LOC (12) Cl.** **06-13**

(52) **U.S. Cl.**
USPC **D6/612**

(58) **Field of Classification Search**
USPC D1/106, 107, 126, 128; D5/55, 56, 59, D5/63; D6/583, 594, 603, 610, 612, 613,
(Continued)

(56) **References Cited**

U.S. PATENT DOCUMENTS

54,390 A 5/1866 Munson
D5,828 S * 4/1872 Meyer D5/58
(Continued)

FOREIGN PATENT DOCUMENTS

WO D204480-001 * 5/2019
WO D204480-002 * 5/2019
WO D204480-003 * 5/2019

OTHER PUBLICATIONS

Sterling Silver Christmas Ornaments [online], [site visited Jun. 10, 2020]. Available from internet, URL:<<https://kasumisou.com/product/sterling-silver-ornaments/>> (Year: 2020).*
(Continued)

Primary Examiner — Cynthia Ramirez

Assistant Examiner — Xavier Marti-Santos

(74) *Attorney, Agent, or Firm* — Quickpatents, LLC; Kevin Prince

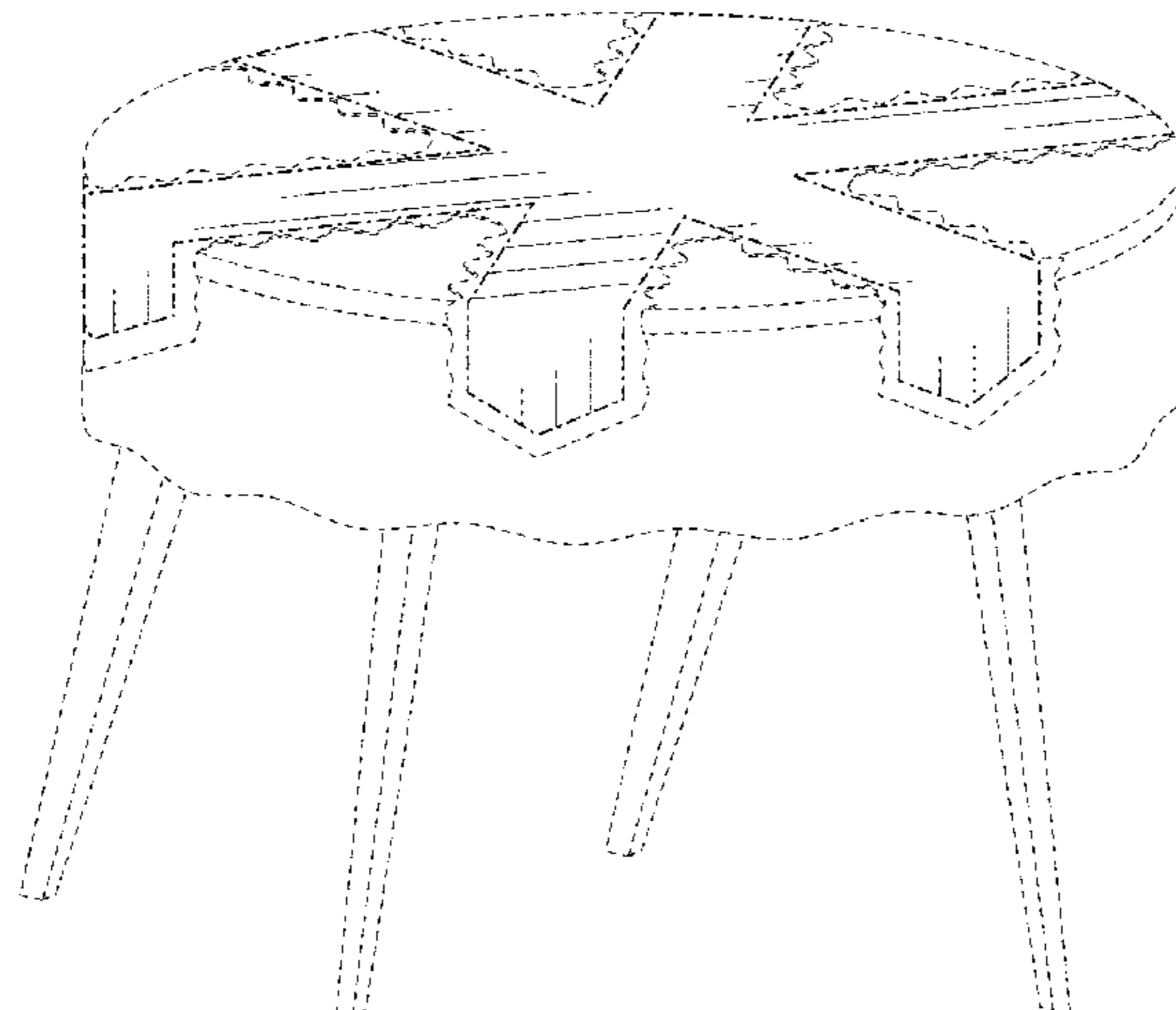
(57) **CLAIM**

The ornamental design for a place setting overlay for a table, as shown and described.

DESCRIPTION

FIG. 1 is a perspective view showing a first embodiment of a place setting overlay for a table, in condition of use; FIG. 2 is a perspective view thereof, illustrated in a flat configuration; FIG. 3 is a front elevational view of FIG. 2, the rear elevational view being a mirror image thereof; FIG. 4 is a top plan view of FIG. 2, the bottom plan view being a mirror image thereof; FIG. 5 is a left-side elevational view of FIG. 2, the right-side elevational view being a mirror image thereof; FIG. 6 is a perspective view showing a second embodiment of a place setting overlay for a table, in condition of use; FIG. 7 is a perspective view thereof, illustrated in the flat configuration; FIG. 8 is a front elevational view of FIG. 7, the rear elevational view being a mirror image thereof; FIG. 9 is a top plan view of FIG. 7, the bottom plan view being a mirror image thereof; FIG. 10 is a left-side elevational view of FIG. 7, the right-side elevational view being a mirror image thereof; FIG. 11 is a perspective view showing a third embodiment of a place setting overlay for a table, in condition of use; FIG. 12 is a perspective view thereof, illustrated in the flat configuration; FIG. 13 is a front elevational view of FIG. 12, the rear elevational view being a mirror image thereof; FIG. 14 is a top plan view of FIG. 12, the bottom plan view being a mirror image thereof; and, FIG. 15 is a left-side elevational view of FIG. 12, the right-side elevational view being a mirror image thereof. The broken lines showing a table in FIGS. 1, 6 and 11 depict environmental matter and form no part of the claimed design. The dot-dash type broken lines represents a boundary of the claimed design, and the remaining broken lines

(Continued)



represent portions of the design outside of the boundary that form no part of the claimed design.

1 Claim, 9 Drawing Sheets

(58) Field of Classification Search

USPC D6/616, 617, 618; D11/14, 99, 121, 125, D11/172, 173; D19/6, 7; D20/106, 107, D20/126, 128
 CPC A47B 13/086; A47B 13/10; A47G 11/003; A47G 11/004; A47G 11/006; A47G 2021/002; A47G 27/02; A47G 9/0246; D05B 77/00

See application file for complete search history.

(56) References Cited

U.S. PATENT DOCUMENTS

D5,932 S *	6/1872	Meyer	D5/58
177,876 A	5/1876	Nichols	
708,109 A	9/1902	Williams	
742,346 A	10/1903	McNeil	
934,993 A	9/1909	Brunson	
1,066,256 A	7/1913	Curran	
1,142,571 A	6/1915	Hoffberg	
1,219,790 A	3/1917	Taylor	
1,240,208 A	9/1917	Holtmeyer	
1,241,968 A	10/1917	Von R. Hansen	
1,261,314 A	4/1918	Stoddard	
1,287,597 A	12/1918	Murray	
1,332,776 A	3/1920	Sultanaki	
D60,840 S *	4/1922	Wachtel	D6/612
1,464,889 A	8/1923	Stirn	
1,587,687 A	6/1926	Lichtman	
1,684,173 A	9/1928	Diamond et al.	
1,719,364 A	7/1929	Gilkey	
1,817,404 A	8/1931	Whaley	
1,865,459 A	7/1932	Edmands	
1,926,429 A	9/1933	Bendalari	
1,952,775 A	3/1934	Quinlan	
2,057,551 A	10/1936	Bishop	
2,151,381 A	3/1939	Goldsmith	
2,381,580 A	8/1945	Einbinder	
2,486,320 A	10/1949	Ost	
2,586,153 A	2/1952	Eisman	
2,727,253 A	12/1955	Tomsic	
2,809,466 A	10/1957	Glover	
3,185,197 A	5/1965	Spiro et al.	
3,295,577 A	1/1967	Danielson	
3,310,091 A	3/1967	Geisen	
3,368,601 A	2/1968	Gantert-Merz	
3,372,404 A	3/1968	Getchell et al.	
3,431,958 A	3/1969	Justice	
3,785,419 A	1/1974	Sherlock	
3,825,050 A	7/1974	Glover	
3,939,976 A	2/1976	Vanlseghem, Jr.	
3,960,193 A	6/1976	Davis	
3,998,221 A	12/1976	Collins	

4,393,104 A	7/1983	Fink	
4,484,529 A	11/1984	Caldares	
4,627,363 A	12/1986	Jones	
4,705,084 A	11/1987	Rodebaugh et al.	
4,708,183 A	11/1987	Figuroa	
4,739,580 A	4/1988	Simmons	
4,750,402 A	6/1988	Markey	
4,777,992 A	10/1988	Olger	
4,905,611 A	3/1990	Jung-Chung	
4,991,242 A	2/1991	Brown	
5,084,321 A	1/1992	Sui	
5,240,758 A	8/1993	Honigberg	
5,284,099 A	2/1994	Cohen	
5,287,614 A	2/1994	Ehrlich	
5,339,748 A	8/1994	Bilotti	
5,449,539 A	9/1995	Stepanek	
5,506,019 A	4/1996	Abeyta et al.	
5,712,012 A	1/1998	Forman et al.	
5,778,802 A	7/1998	Hairston et al.	
5,908,681 A	6/1999	Foster	
D416,289 S *	11/1999	Mastrangelo	D20/22
6,116,167 A	9/2000	Rabe	
6,334,399 B1	1/2002	Kelldorf	
6,381,812 B1	5/2002	Crider et al.	
6,431,089 B1	8/2002	O'Brien	
6,457,423 B1	10/2002	Gordon	
6,589,491 B1	7/2003	Peddicord	
6,591,764 B1	7/2003	Dean	
D482,073 S *	11/2003	Nakajo	D20/22
6,754,919 B2	6/2004	Leaphart, Jr. et al.	
6,986,928 B2	1/2006	Almansa Perea	
D537,431 S *	2/2007	Kim	D14/138 AD
D576,024 S *	9/2008	Mazzocco	D8/382
7,757,614 B2	7/2010	Nurse-Bey	
8,166,893 B2	5/2012	Davis	
8,196,528 B2	6/2012	Jones	
D711,163 S *	8/2014	Williams	D6/617
8,807,503 B2	8/2014	Zavala, Jr.	
D733,656 S *	7/2015	Anderssen	D13/147
D743,666 S *	11/2015	Carroll	D1/106
10,292,510 B1 *	5/2019	Tefft-Feldman	A47G 23/0303
D867,874 S *	11/2019	Guo	D9/430
2002/0062766 A1	5/2002	Badaracco	
2002/0172797 A1	11/2002	Sugawara	
2002/0174809 A1	11/2002	Kerrigan	
2003/0015270 A1	1/2003	McClenahan et al.	
2003/0200589 A1	10/2003	Therres	
2007/0020428 A1	1/2007	Hernandez	
2008/0000399 A1	1/2008	Herbert	
2010/0139531 A1	6/2010	Valeriotte	
2012/0097078 A1	4/2012	Schwabe et al.	
2012/0180705 A1	7/2012	Hafner	
2014/0349039 A1	11/2014	Finell	
2017/0156527 A1	6/2017	Vara	

OTHER PUBLICATIONS

Classic Asterisk Black Tote [online], [site visited Jun. 10, 2020]. Available from internet, URL<<https://shop.redhotchilipeppers.com/products/classic-asterisk-shopping-tote>> (Year: 2020).*

* cited by examiner

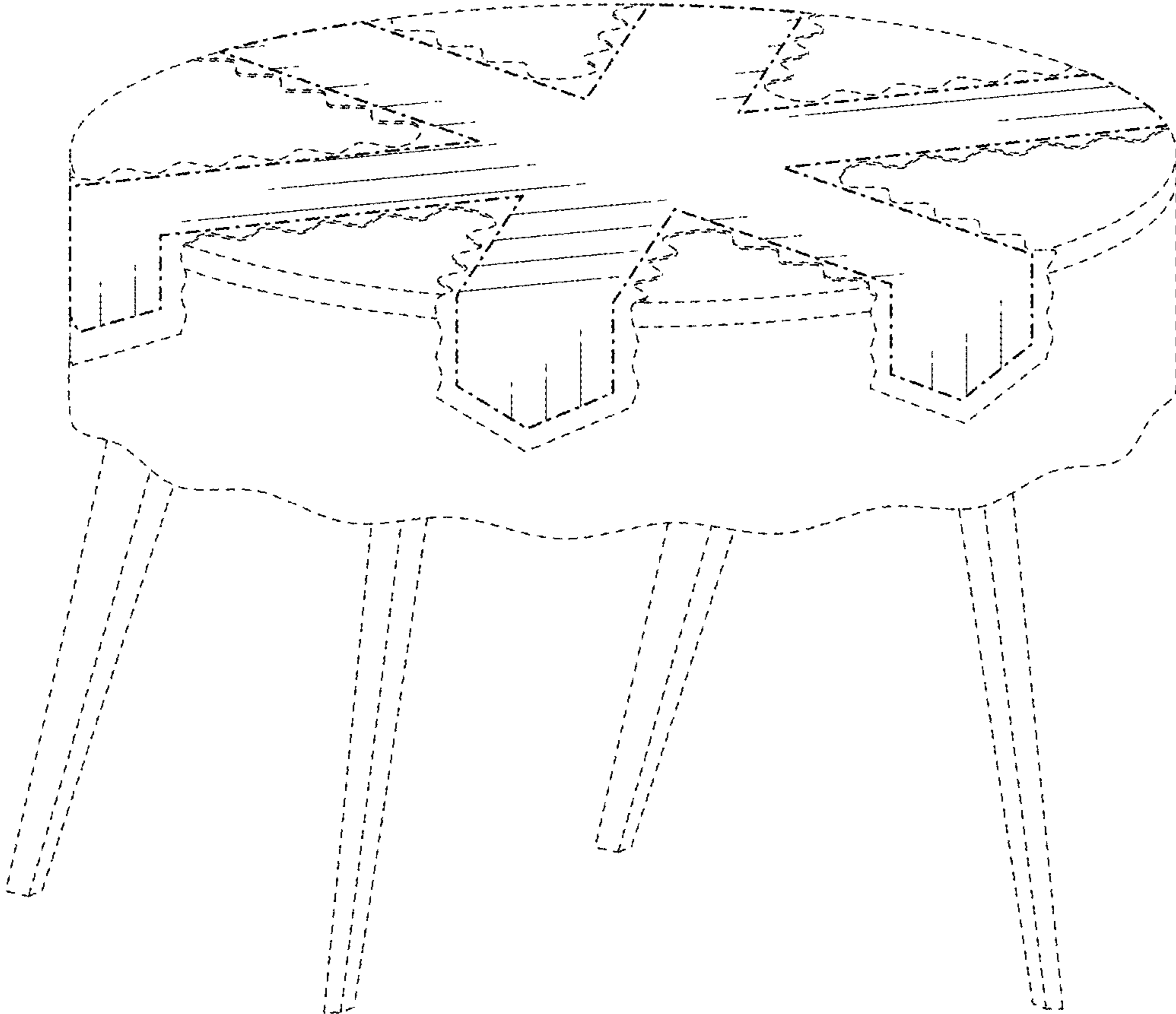


FIG. 1

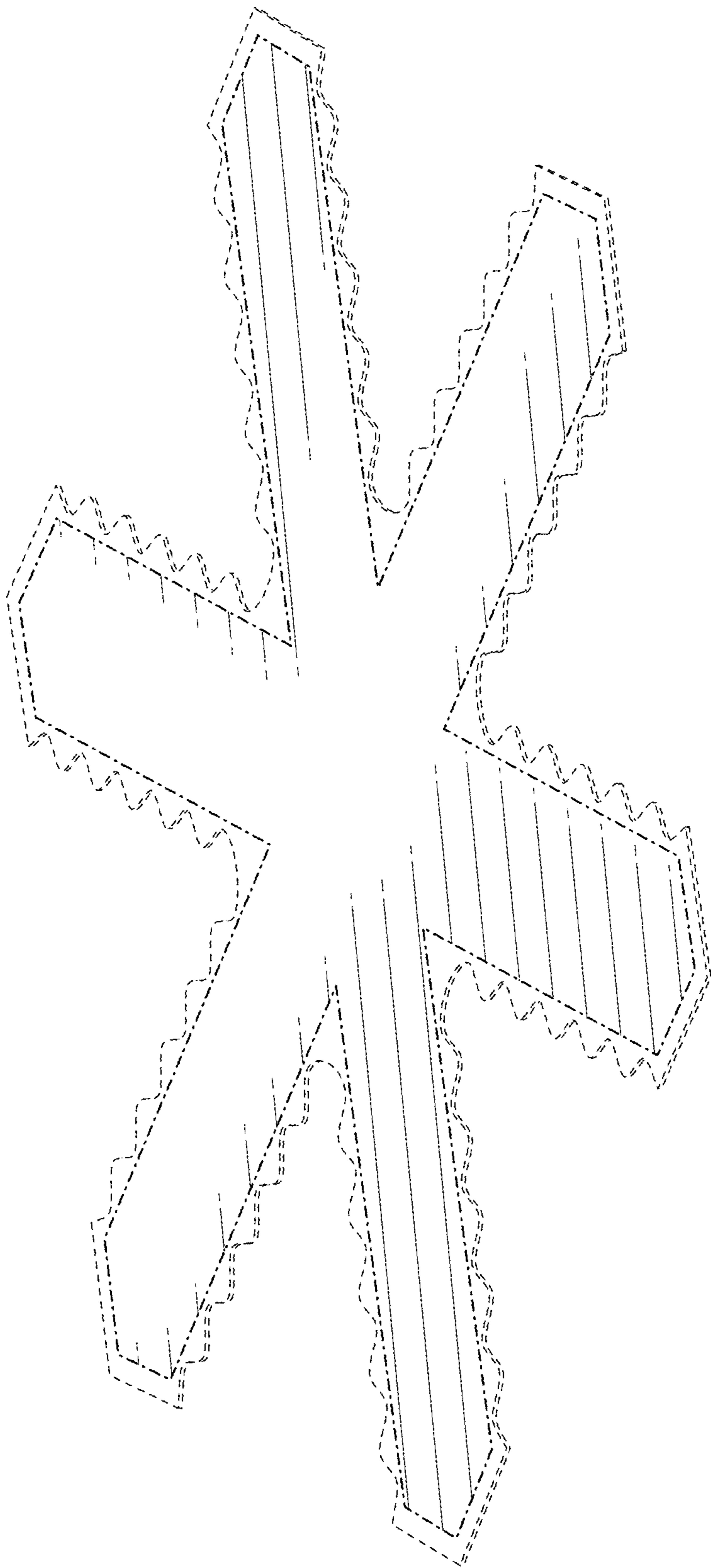


FIG. 2

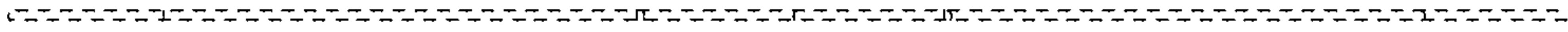


FIG. 3

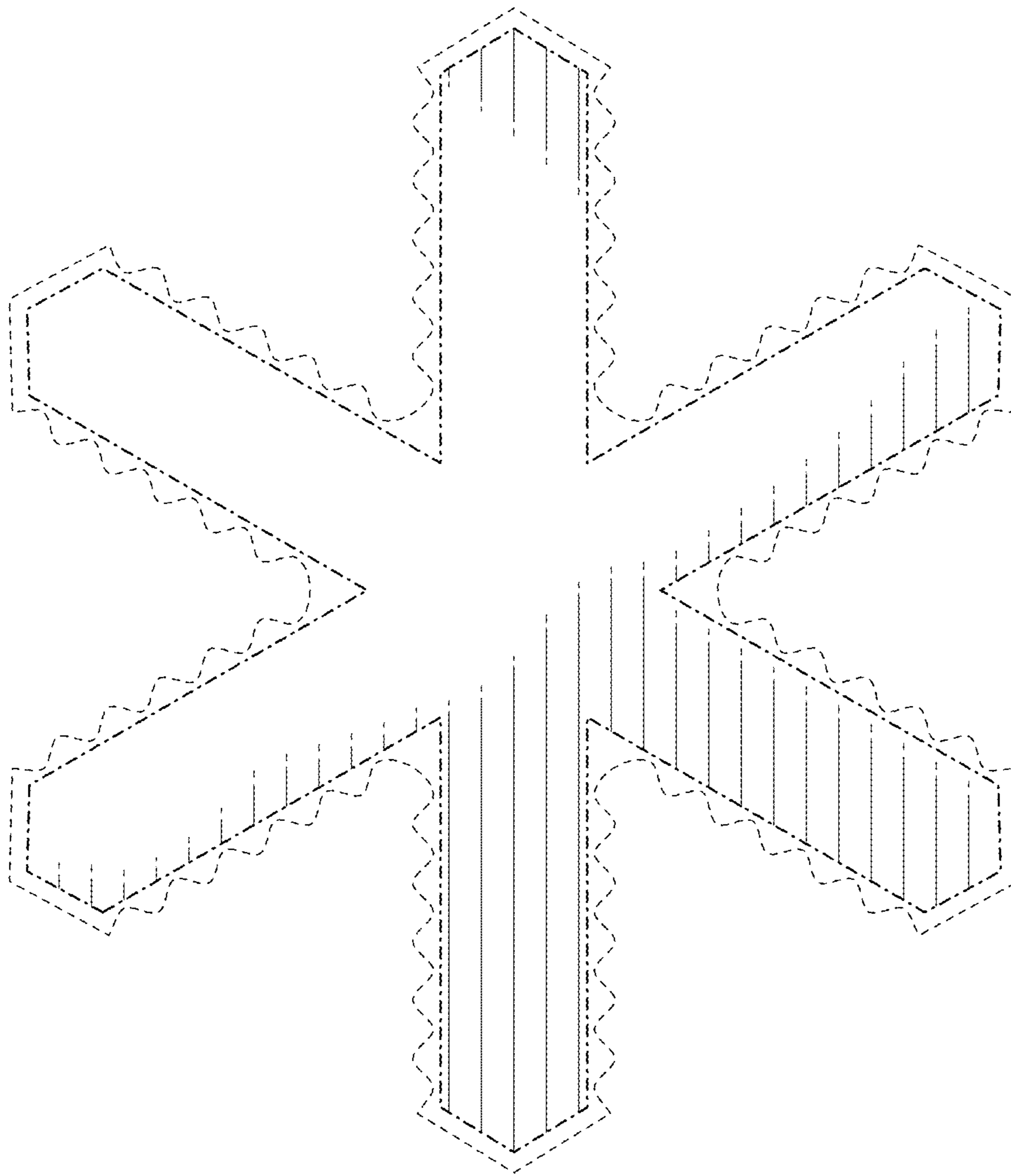


FIG. 4

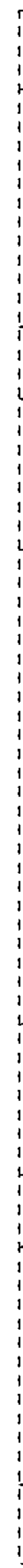


FIG. 5

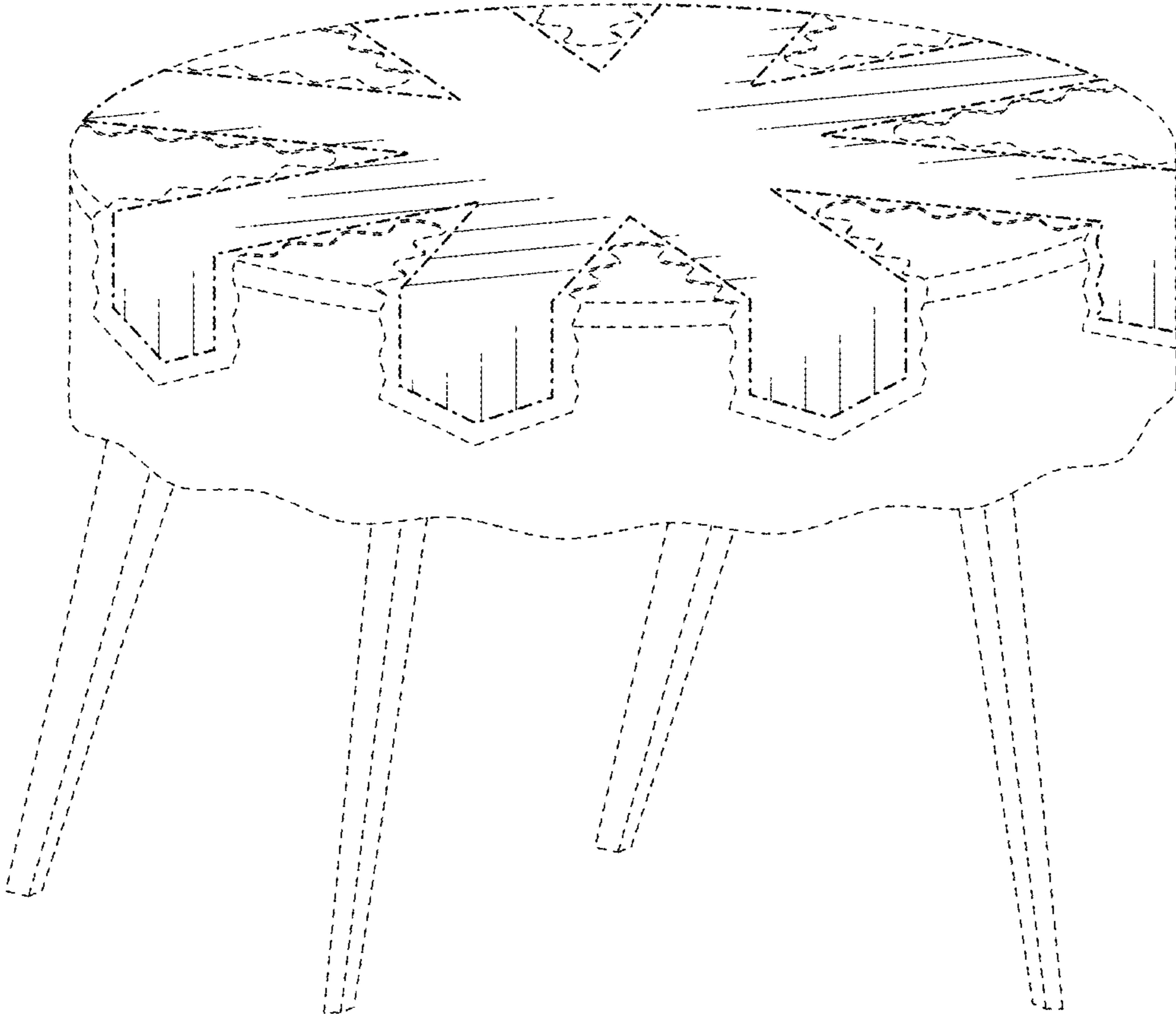


FIG. 6

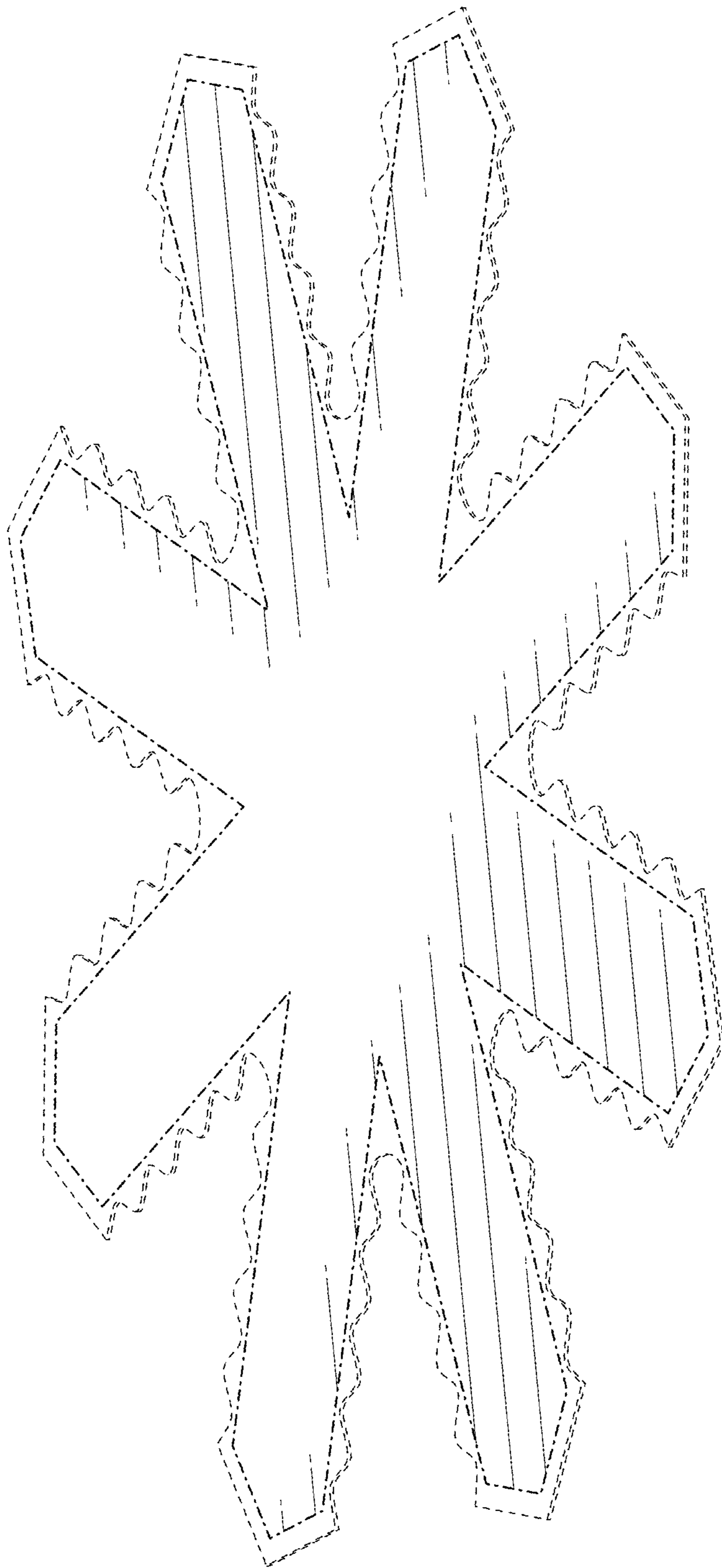


FIG. 7

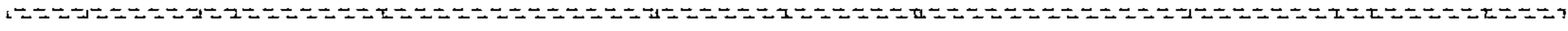


FIG. 8

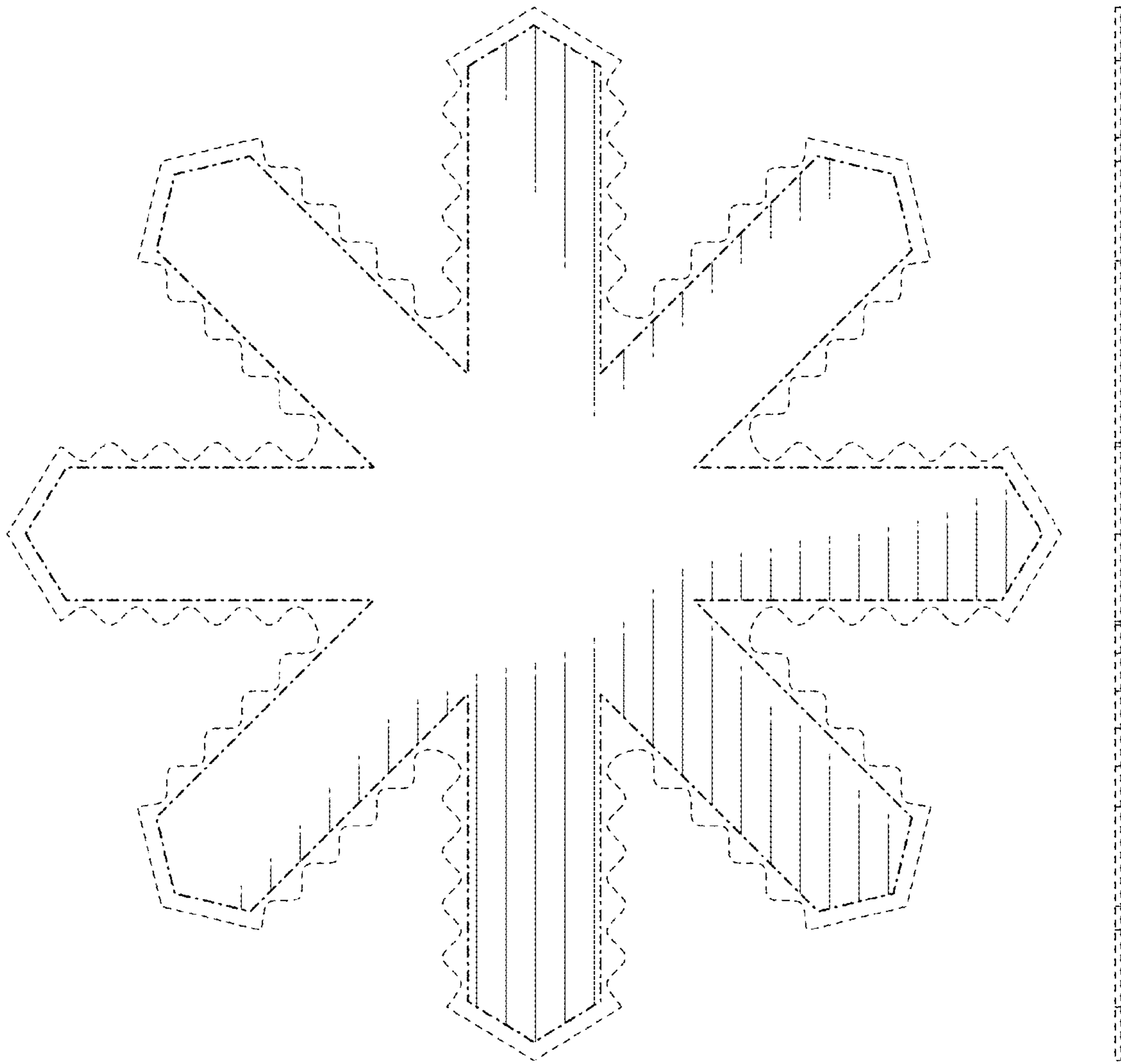


FIG. 9

FIG. 10

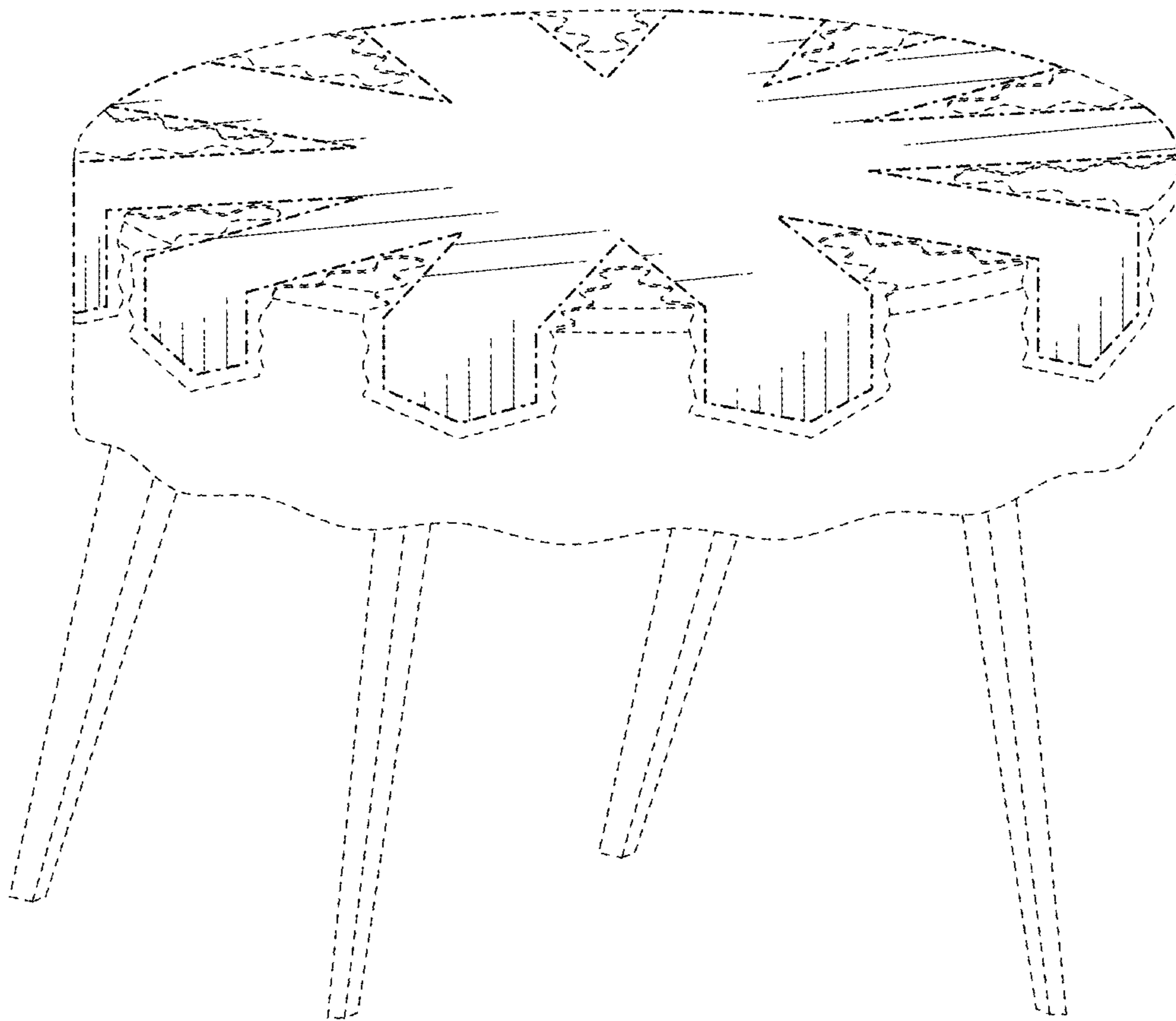


FIG. 11

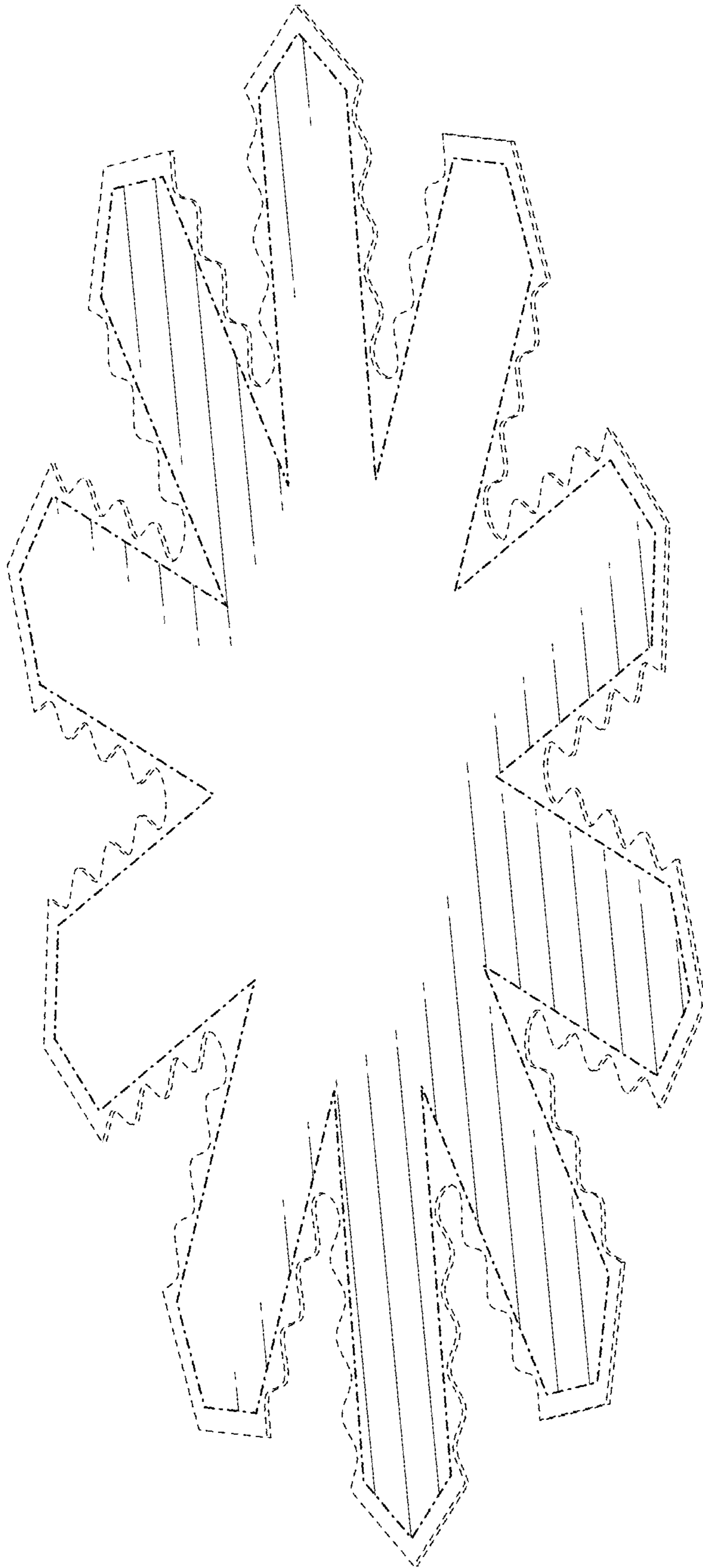


FIG. 12

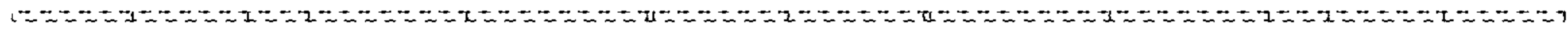


FIG. 13

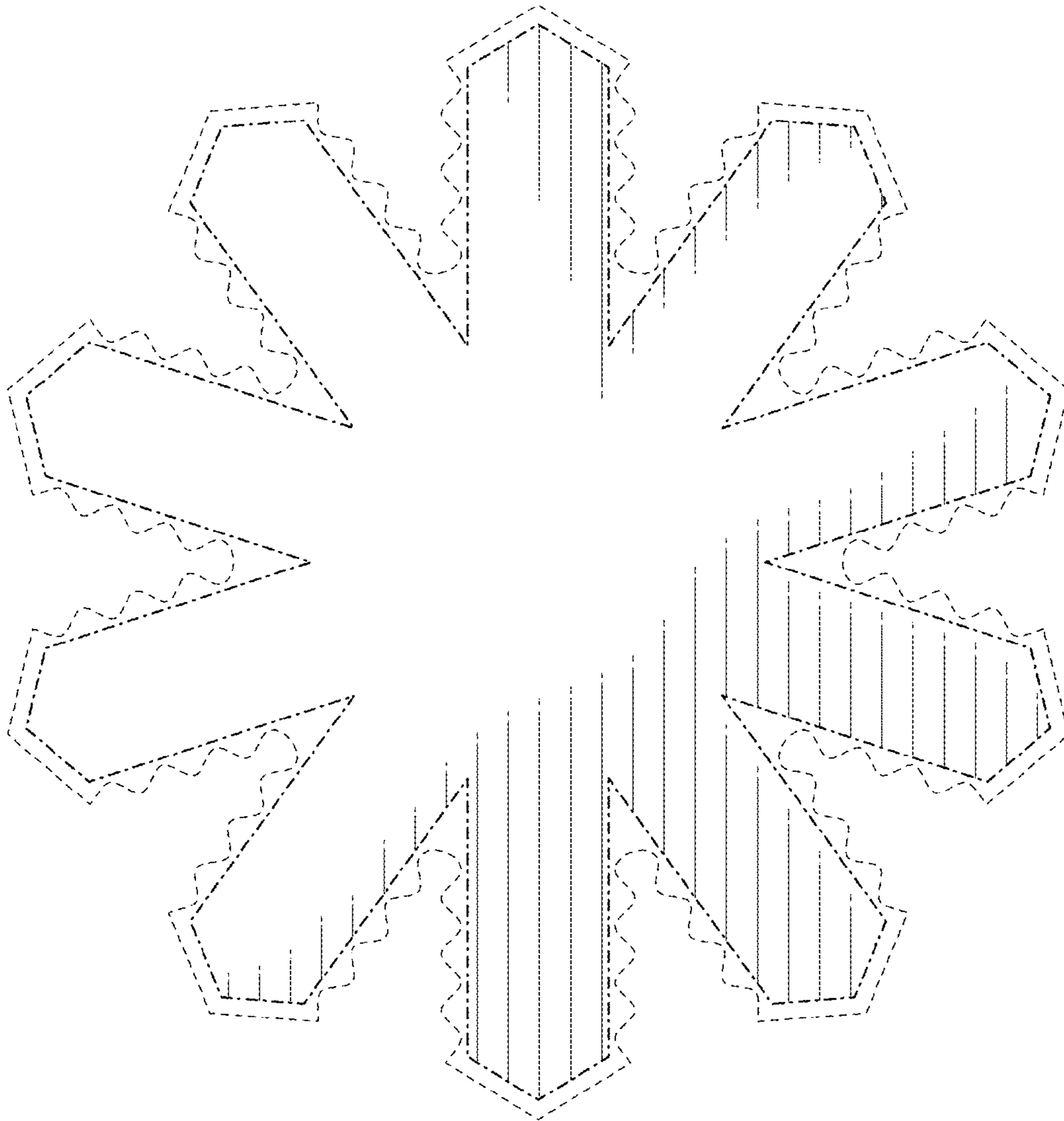


FIG. 14

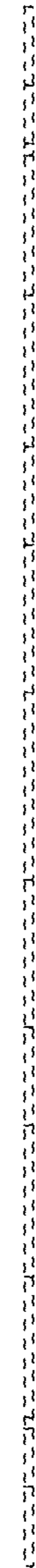


FIG. 15