



US00D892517S

(12) **United States Design Patent** (10) **Patent No.:** **US D892,517 S**  
**Hunsberger et al.** (45) **Date of Patent:** **\*\* Aug. 11, 2020**

(54) **RAIL FOR AN ARCHITECTURAL COVERING**

*Primary Examiner* — Kevin K Rudzinski  
*Assistant Examiner* — Clare Ann Gannon  
(74) *Attorney, Agent, or Firm* — Leason Ellis LLP

(71) Applicant: **Hunter Douglas Inc.**, Pearl River, NY (US)

(72) Inventors: **Gerald N. Hunsberger**, Cumming, GA (US); **John Anthony Wargo**, Atlanta, GA (US); **Mary Jo Dubina**, Atlanta, GA (US); **Josh DeWard**, Roswell, GA (US)

(57) **CLAIM**

The ornamental design for a rail for an architectural covering, as shown and described.

(73) Assignee: **Hunter Douglas Inc.**, Pearl River, NY (US)

**DESCRIPTION**

(\*\*) Term: **15 Years**

FIG. 1 is a top, perspective view of a first embodiment of a rail for an architectural covering according to the new design.

(21) Appl. No.: **29/637,266**

FIG. 2 is a bottom, perspective view of the rail shown in FIG. 1.

(22) Filed: **Feb. 15, 2018**

FIG. 3 is a top view of the rail shown in FIG. 1.

**Related U.S. Application Data**

FIG. 4 is a bottom view of the rail shown in FIG. 1.

(63) Continuation of application No. 15/837,568, filed on Dec. 11, 2017.

FIG. 5 is a right side view of the rail shown in FIG. 1.

(51) **LOC (12) Cl.** ..... **06-10**

FIG. 6 is a left side view of the rail shown in FIG. 1.

(52) **U.S. Cl.**  
USPC ..... **D6/580**

FIG. 7 is a rear view of the rail shown in FIG. 1.

(58) **Field of Classification Search**  
USPC ..... D6/575–581; D8/358; D13/155;  
D25/119, 121, 123, 125; D26/138  
(Continued)

FIG. 8 is a front view of the rail shown in FIG. 1.

FIG. 9 is a top, perspective view of a second embodiment of a rail for an architectural covering according to the new design.

(56) **References Cited**

FIG. 10 is a bottom, perspective view of the rail shown in FIG. 9.

**U.S. PATENT DOCUMENTS**

876,593 A \* 1/1908 Rush ..... E06B 9/15  
160/235  
1,014,611 A 1/1912 Rush  
(Continued)

FIG. 11 is a top view of the rail shown in FIG. 9.

FIG. 12 is a bottom view of the rail shown in FIG. 9.

FIG. 13 is a right side view of the rail shown in FIG. 9.

FIG. 14 is a left side view of the rail shown in FIG. 9.

FIG. 15 is a rear view of the rail shown in FIG. 9; and,

FIG. 16 is a front view of the rail shown in FIG. 9.

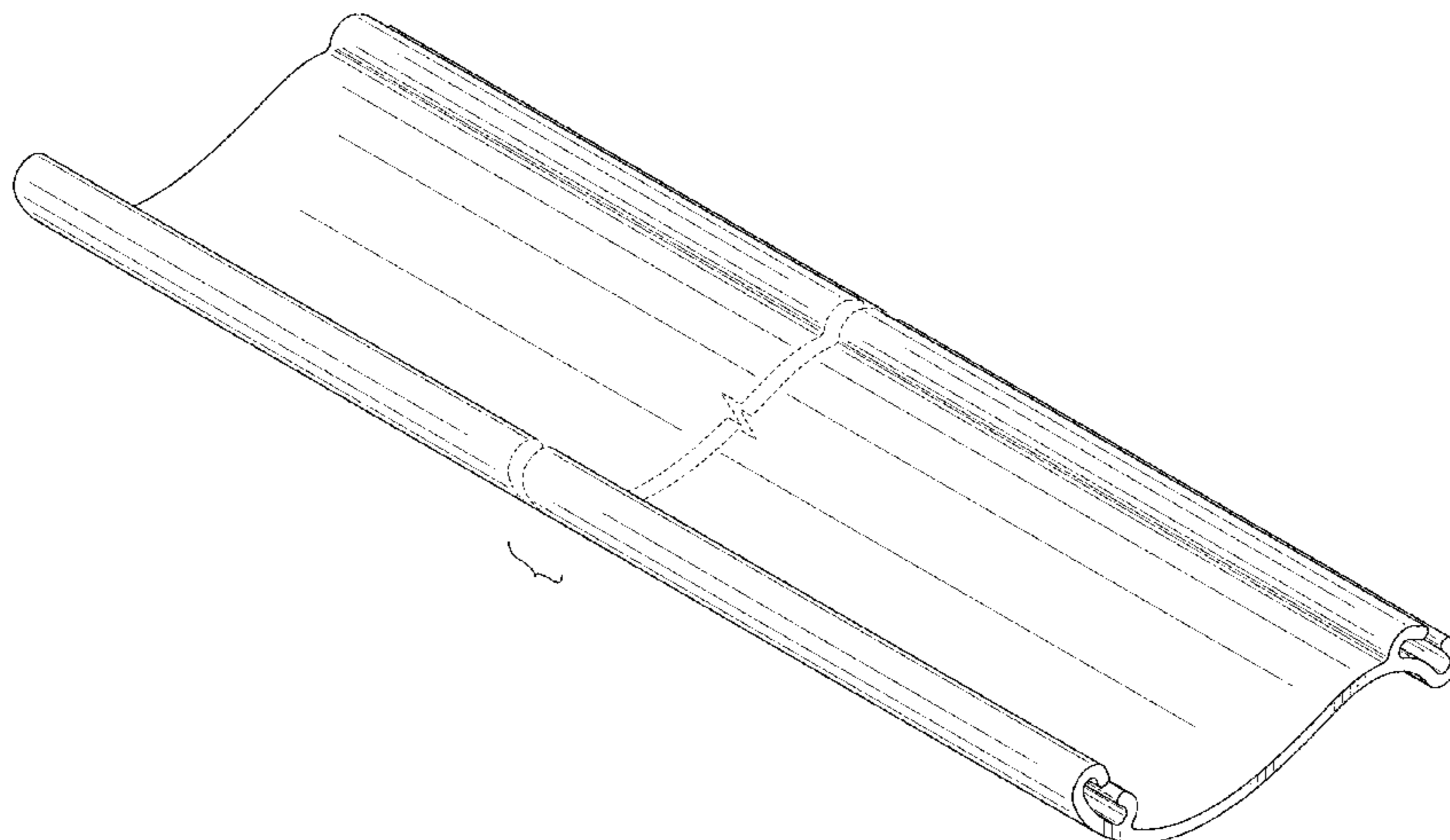
The dash-dash broken lines contained within the figures represent portions of the disclosed rail that form no part of the claimed design.

The break lines contained within the figures and the appearance of any portion of the rail between the break lines form no part of the claimed design.

**OTHER PUBLICATIONS**

User Guide: Cadence® Soft Vertical Blinds with the Paramount® Contoured Headrail System. HunterDouglas. Mar. 2019.

**1 Claim, 12 Drawing Sheets**



# US D892,517 S

Page 2

## (58) Field of Classification Search

CPC . A47H 1/02; A47H 1/04; A47H 1/144; A47H 11/06; A47H 2001/042; A47H 2023/003; A47H 2023/025; A47H 23/00; A47H 23/01; A47H 23/02; A47H 3/02; A47H 3/06; A47H 3/08; A47H 3/10; A47H 5/00; A47H 5/03; A47H 5/032; A47H 5/06; A47H 5/08; E06B 2009/2622; E06B 2009/285; E06B 9/26; E06B 9/262; E06B 9/30; E06B 9/302; E06B 9/306; E06B 9/307; E06B 9/322; E06B 9/323; E06B 9/324; E06B 9/386; E06B 9/388; E06B 9/40; E06B 9/42; E06B 9/521; E06B 9/56; E06B 9/60; E06B 9/78

See application file for complete search history.

(56)

## References Cited

### U.S. PATENT DOCUMENTS

1,259,450 A \* 3/1918 Smith ..... E06B 9/54  
160/23.1  
2,146,816 A \* 2/1939 Grassby, Jr. .... E06B 9/386  
160/178.1 R  
D168,258 S 11/1952 Friedman  
D343,909 S \* 2/1994 Flynn ..... E06B 9/307  
D25/123  
D347,348 S 5/1994 Chen  
D366,174 S 1/1996 Knuteson  
5,718,273 A \* 2/1998 Best ..... E06B 9/303  
160/166.1  
D440,099 S \* 4/2001 Horsten ..... E06B 9/386  
D6/580  
D440,103 S 4/2001 Throne  
D446,871 S 8/2001 Thomas  
6,279,641 B1 8/2001 Malott  
D459,933 S 7/2002 Goodman  
D465,291 S \* 11/2002 Marshall ..... D25/119  
6,497,266 B1 \* 12/2002 Palmer ..... E06B 9/386  
156/308.2

D481,575 S 11/2003 Steinberg  
D486,117 S 2/2004 Isler et al.  
D489,928 S \* 5/2004 Gilmore ..... E06B 9/15  
D6/580  
D497,506 S 10/2004 Nien  
D499,816 S 12/2004 Eichner et al.  
D573,268 S 7/2008 Lundsgaard et al.  
D589,633 S 3/2009 Mattingly  
D591,843 S 5/2009 Van Becelaere  
D597,743 S 8/2009 Skinner  
D602,612 S 10/2009 Baum  
D606,793 S 12/2009 Allsopp  
D633,320 S 3/2011 Brace  
D685,503 S 7/2013 Gardner  
D692,684 S 11/2013 Colson et al.  
D738,536 S 9/2015 Lillejord et al.  
D825,953 S 8/2018 Diamond  
10,309,153 B2 \* 6/2019 McPherson ..... E06B 9/42  
D871,107 S \* 12/2019 Chen ..... D6/580  
D872,311 S \* 1/2020 Sudano ..... D25/119  
2003/0005649 A1 1/2003 Austin et al.  
2005/0150614 A1 \* 7/2005 Nien ..... E06B 9/30  
160/236  
2009/0250177 A1 \* 10/2009 Byeon ..... E06B 9/40  
160/323.1  
2010/0155000 A1 \* 6/2010 Krab ..... E06B 9/307  
160/171  
2011/0225913 A1 9/2011 Frigerio  
2014/0053990 A1 \* 2/2014 Miller ..... E06B 9/15  
160/133  
2014/0053991 A1 \* 2/2014 Miller ..... E06B 9/15  
160/133  
2014/0182793 A1 \* 7/2014 Byun ..... E06B 9/42  
160/84.06  
2014/0262076 A1 \* 9/2014 Mullet ..... E06B 9/58  
160/295  
2014/0305602 A1 \* 10/2014 Kirby ..... E06B 9/42  
160/310  
2016/0145938 A1 5/2016 Colson et al.  
2018/0087319 A1 \* 3/2018 McPherson ..... E06B 9/42  
2018/0179812 A1 \* 6/2018 Dubina ..... E06B 9/42

\* cited by examiner

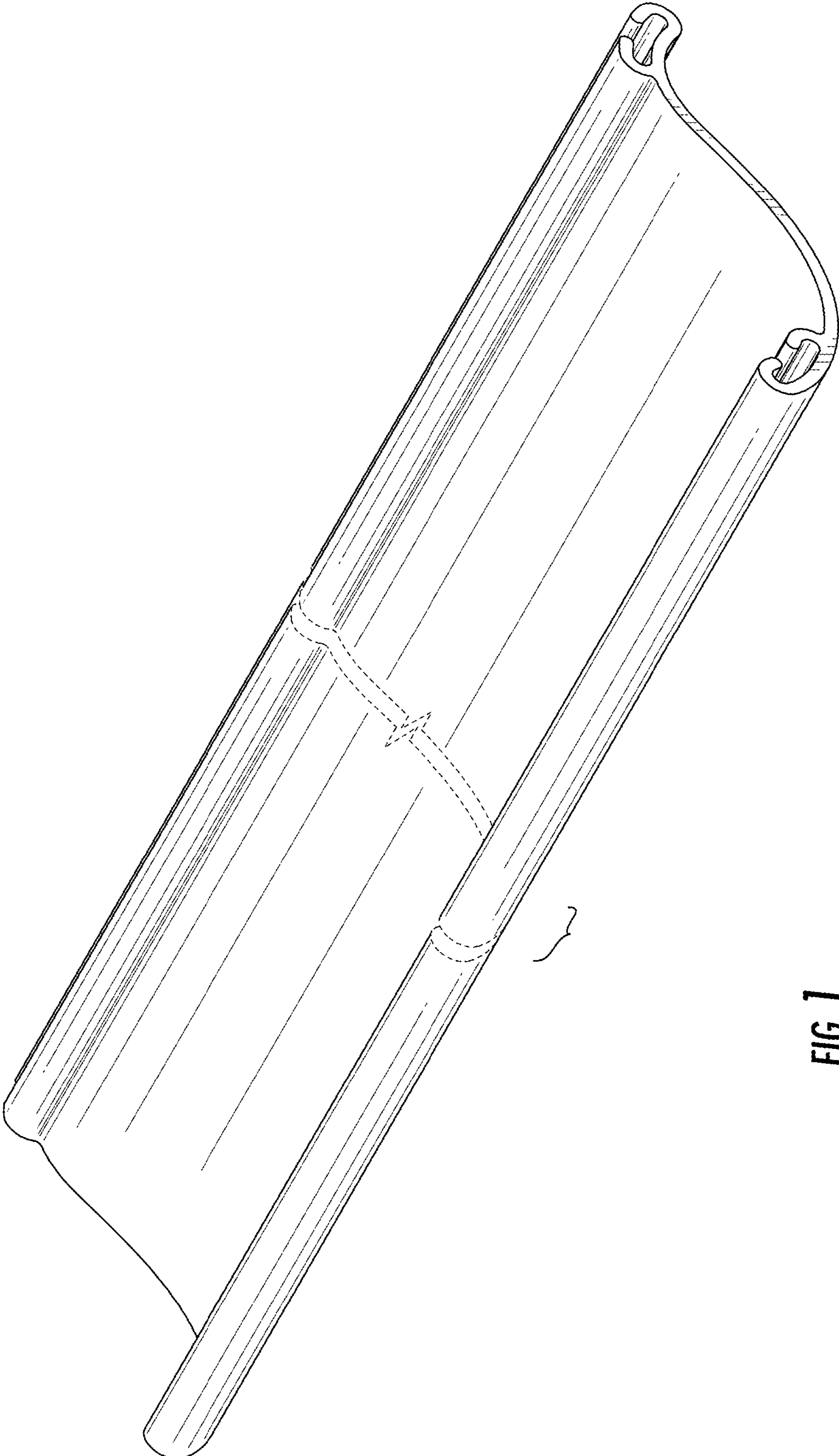


FIG. 1

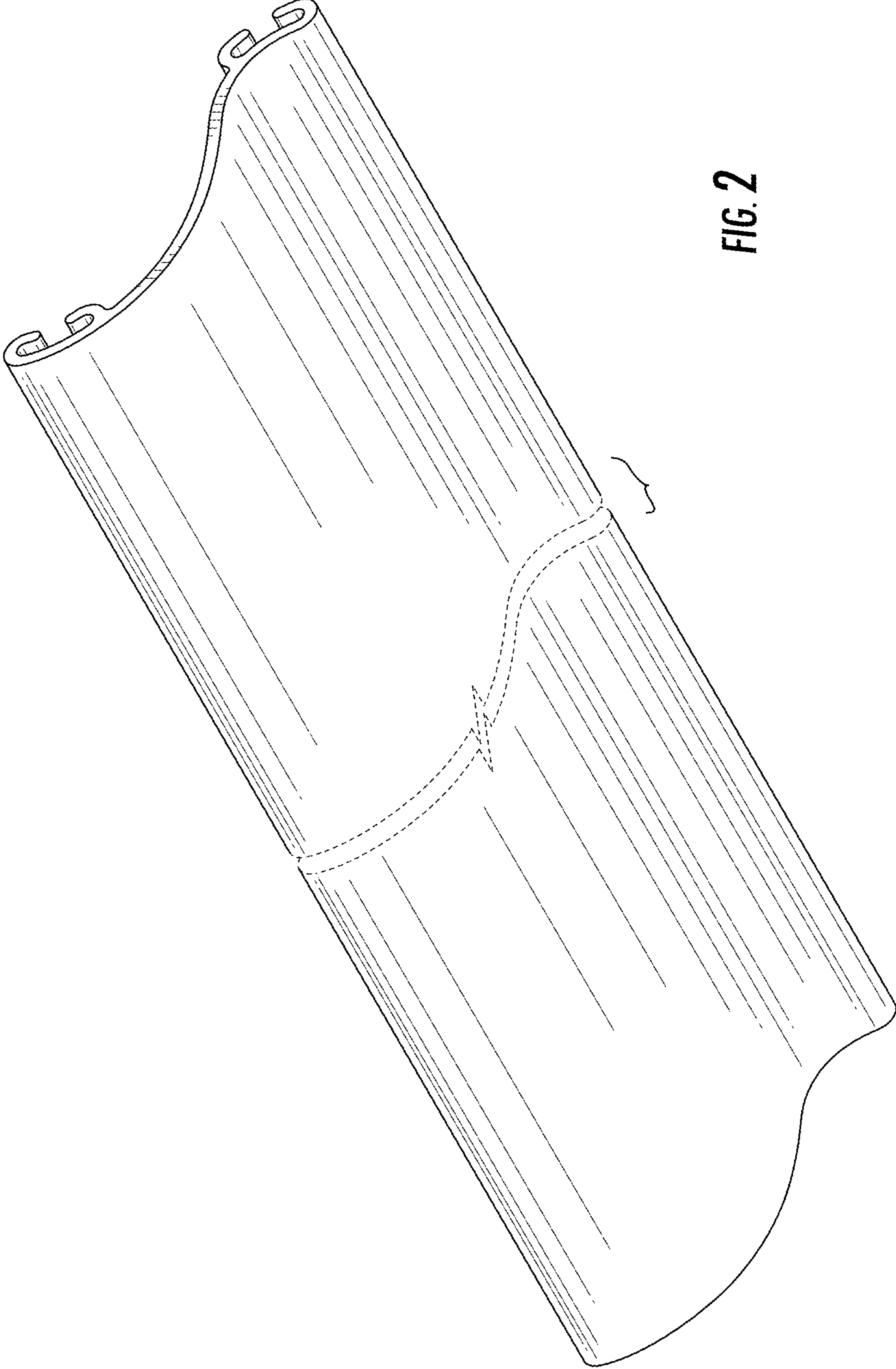


FIG. 2

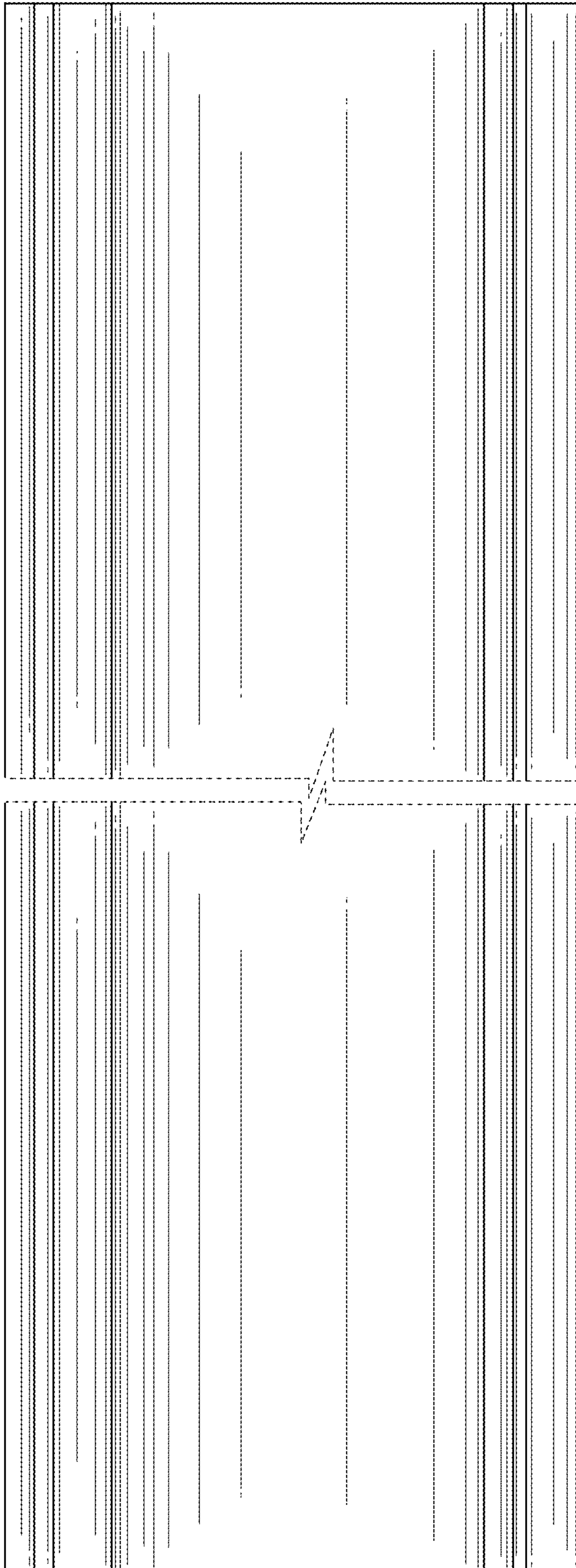


FIG. 3

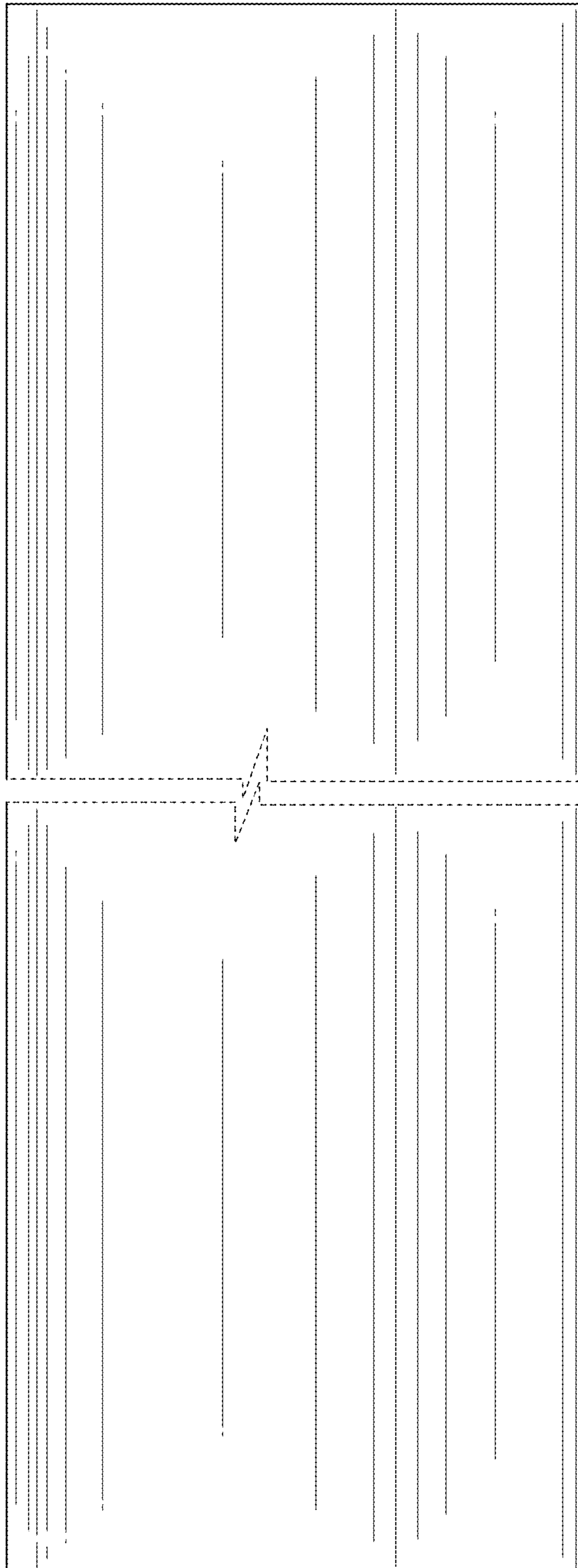
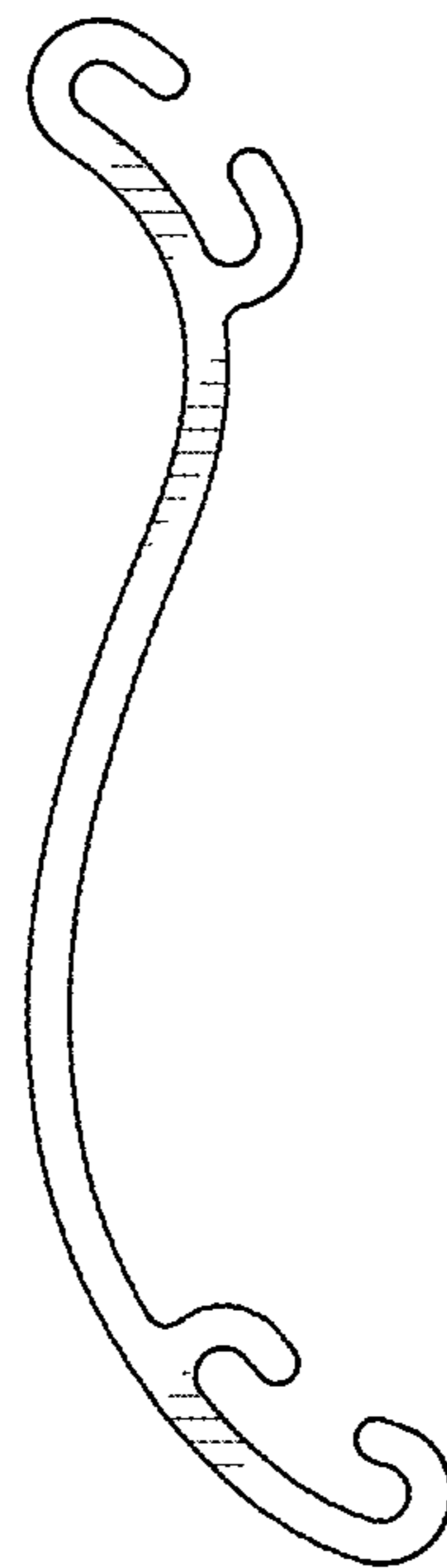


FIG. 4



**FIG. 5**



**FIG. 6**

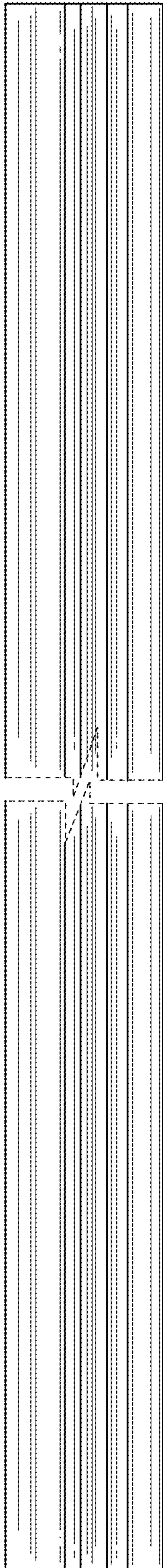


FIG. 7

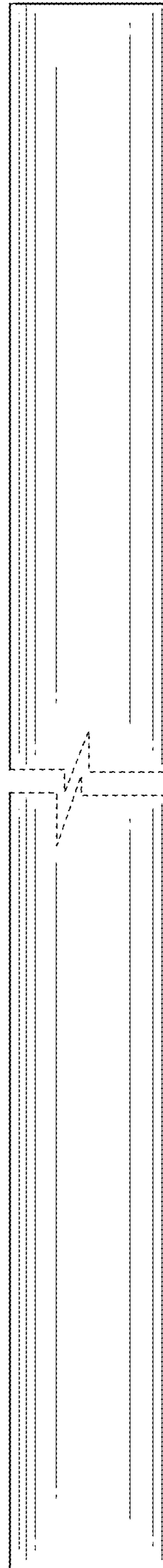


FIG. 8



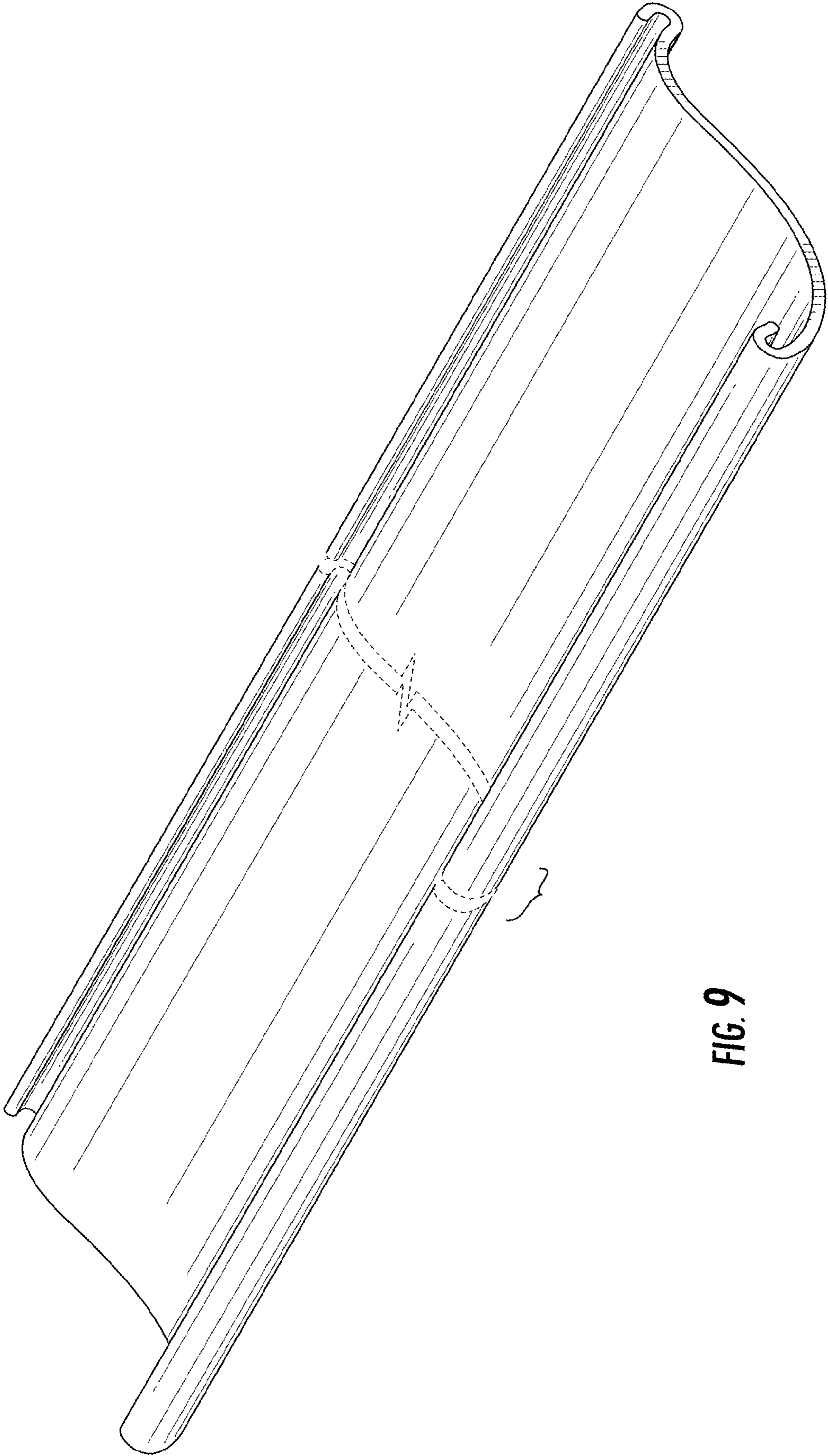


FIG. 9

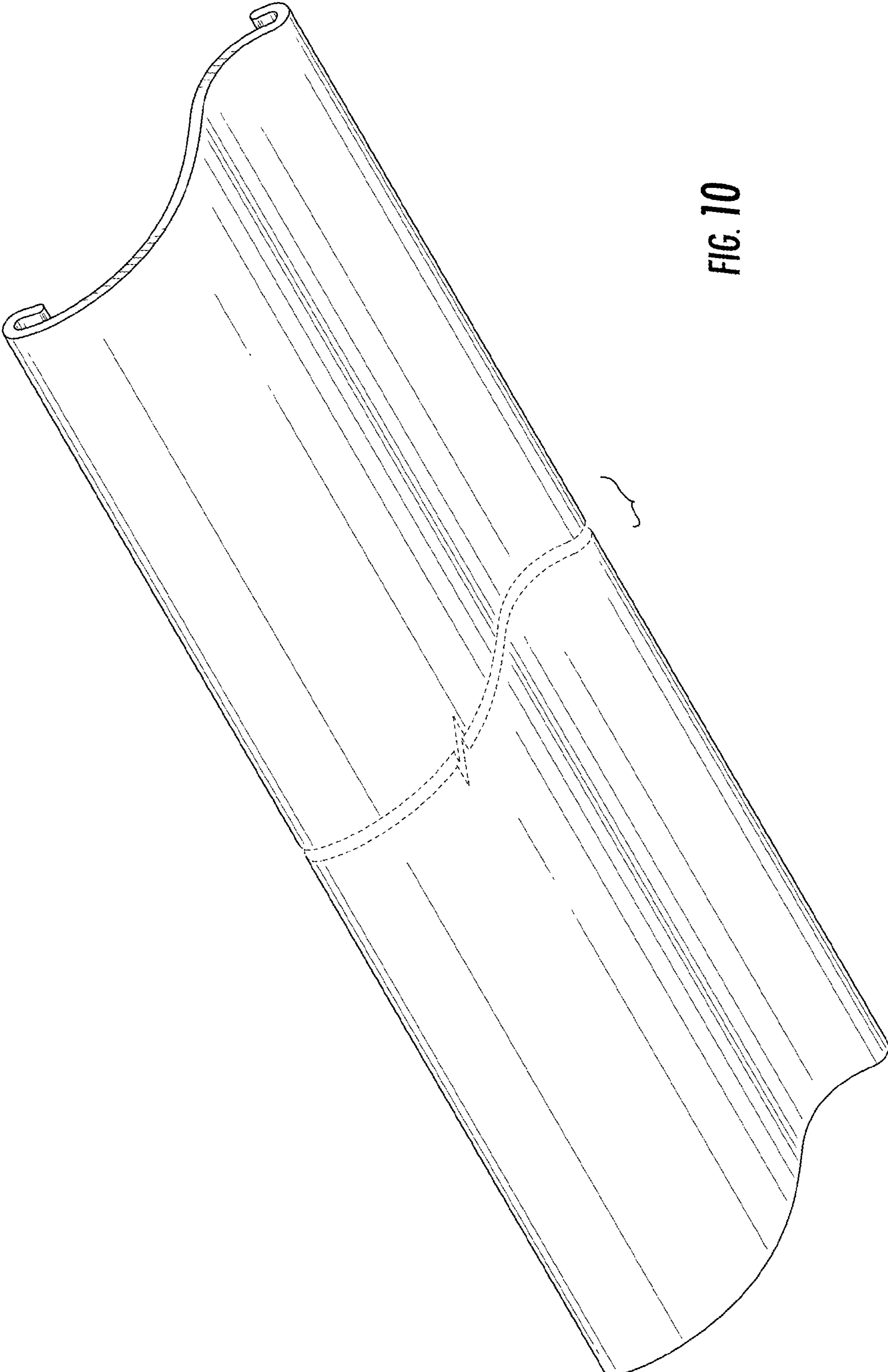


FIG. 10

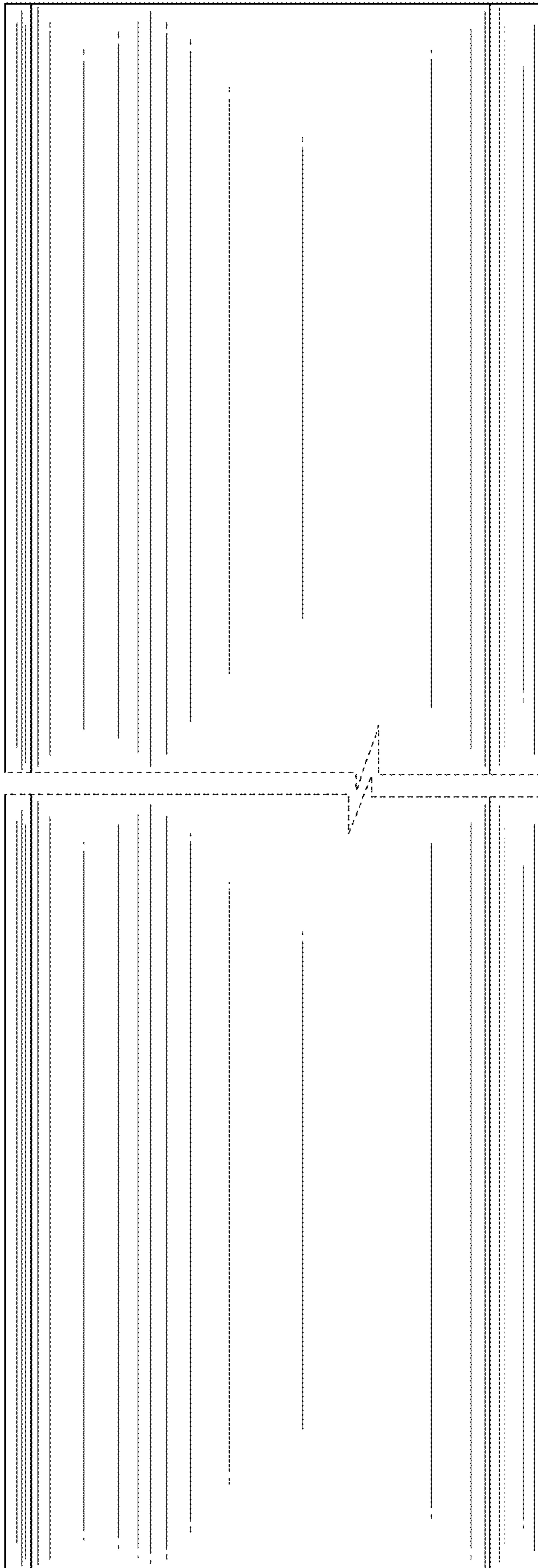
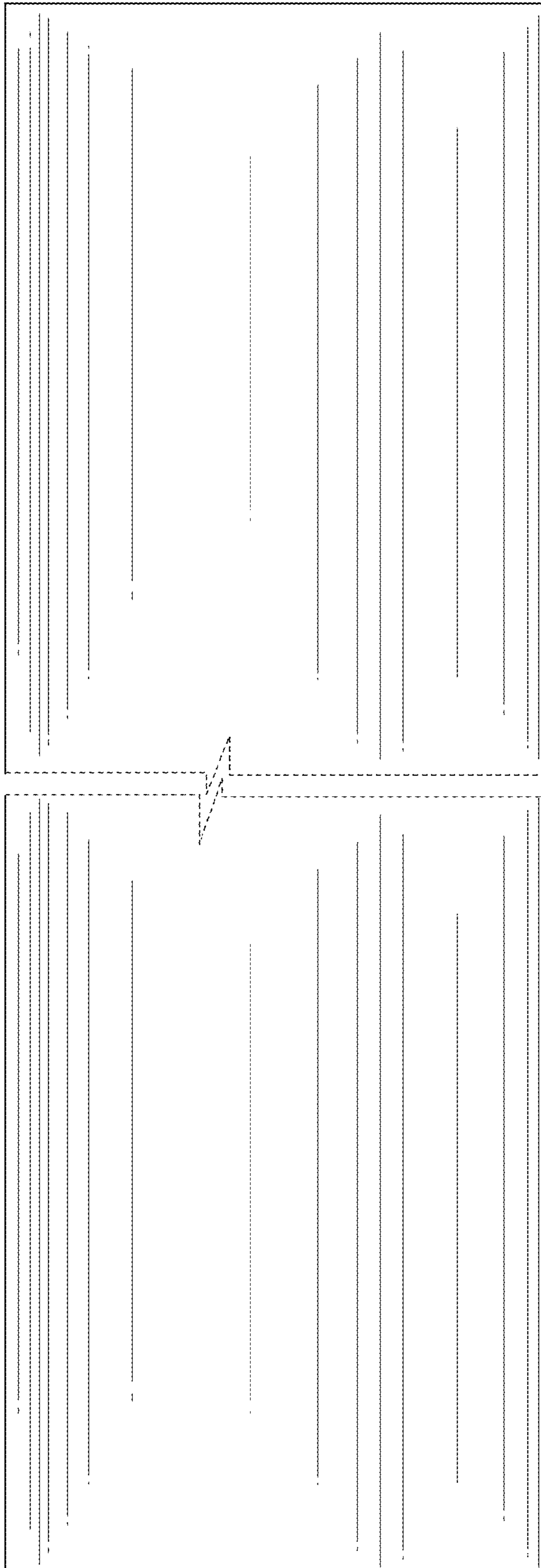


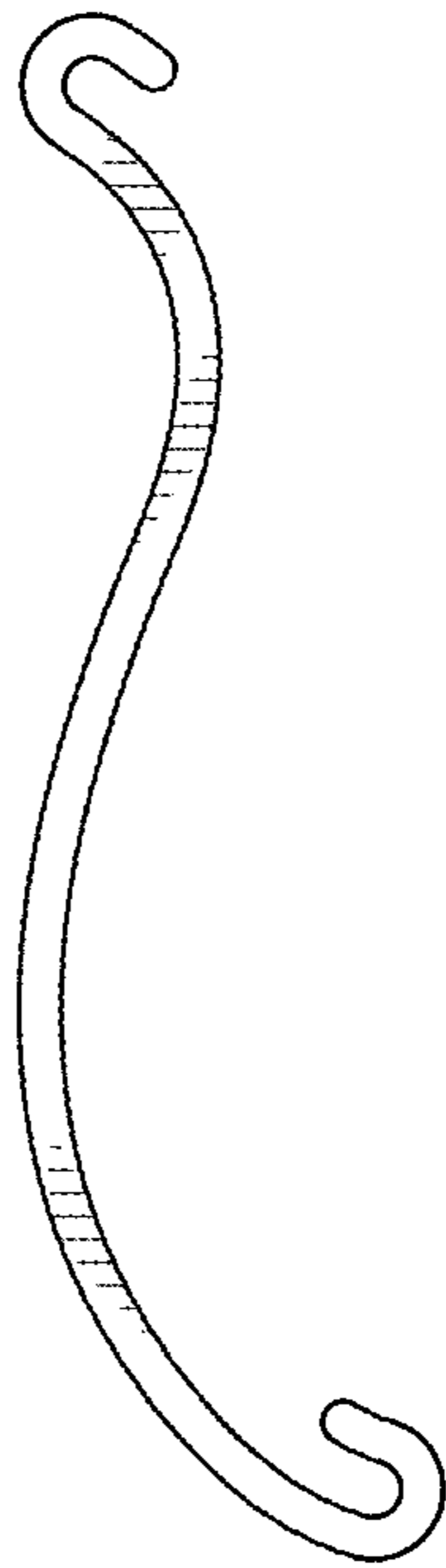
FIG. 17



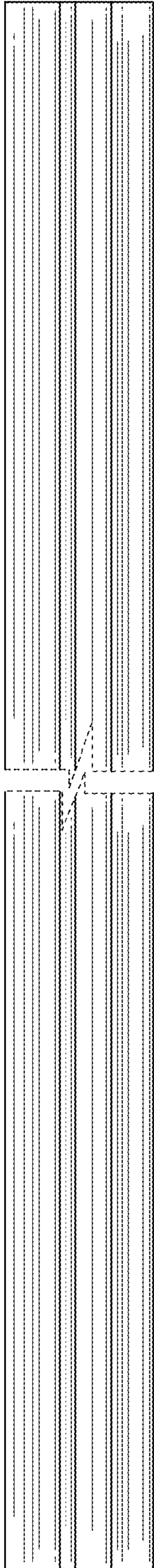
**FIG. 12**



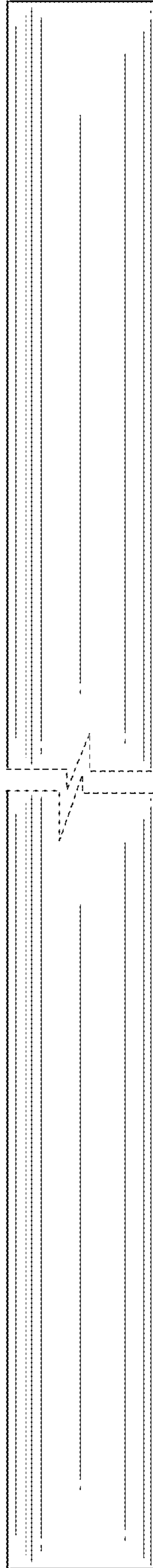
**FIG. 13**



**FIG. 14**



**FIG. 15**



**FIG. 16**