



US00D892514S

(12) **United States Design Patent**
Flanagan

(10) **Patent No.:** **US D892,514 S**

(45) **Date of Patent:** **** *Aug. 11, 2020**

(54) **LAP TRAY**

(71) Applicant: **Lisa Annette Flanagan**, Lamotte, IA
(US)

(72) Inventor: **Lisa Annette Flanagan**, Lamotte, IA
(US)

(*) Notice: This patent is subject to a terminal disclaimer.

(**) Term: **15 Years**

(21) Appl. No.: **29/665,856**

(22) Filed: **Oct. 8, 2018**

(51) **LOC (12) Cl.** **06-06**

(52) **U.S. Cl.**
USPC **D6/406.5**

(58) **Field of Classification Search**
USPC D6/406.1, 406.3, 406.4, 406.5; D12/425
CPC A47B 13/081; A47B 23/00; A47B 23/002;
A47B 2023/048
See application file for complete search history.

(56) **References Cited**

U.S. PATENT DOCUMENTS

D315,463 S	*	3/1991	Spiegel	D12/133
D331,330 S	*	12/1992	Bennett	D6/406.3
D359,984 S	*	7/1995	Mak	D14/390
D472,728 S	*	4/2003	Harris	D6/406.3

D499,575 S	*	12/2004	Chan	D6/406.3
D512,245 S	*	12/2005	Bean	D6/406.3
D575,077 S	*	8/2008	Kessels	D6/406.3
D588,830 S	*	3/2009	Chochinov	D6/406.3
D653,049 S	*	1/2012	Goldszer	D6/406.3
D672,163 S	*	12/2012	Wells	D6/406.3
D710,123 S	*	8/2014	Wright	D6/406.3
D712,174 S	*	9/2014	Petersen	D6/406.3
D724,343 S	*	3/2015	Sinha	D6/406.3
D765,839 S	*	9/2016	Ek	D24/133
D836,937 S	*	1/2019	Sullins	D6/406.3
D848,757 S	*	5/2019	Kelly	D6/406.3
D856,701 S	*	8/2019	Flanagan	D6/406.3
D859,876 S	*	9/2019	Melaragno	D6/406.1

* cited by examiner

Primary Examiner — Kelley A Donnelly

(74) *Attorney, Agent, or Firm* — Daniel M. Northfield

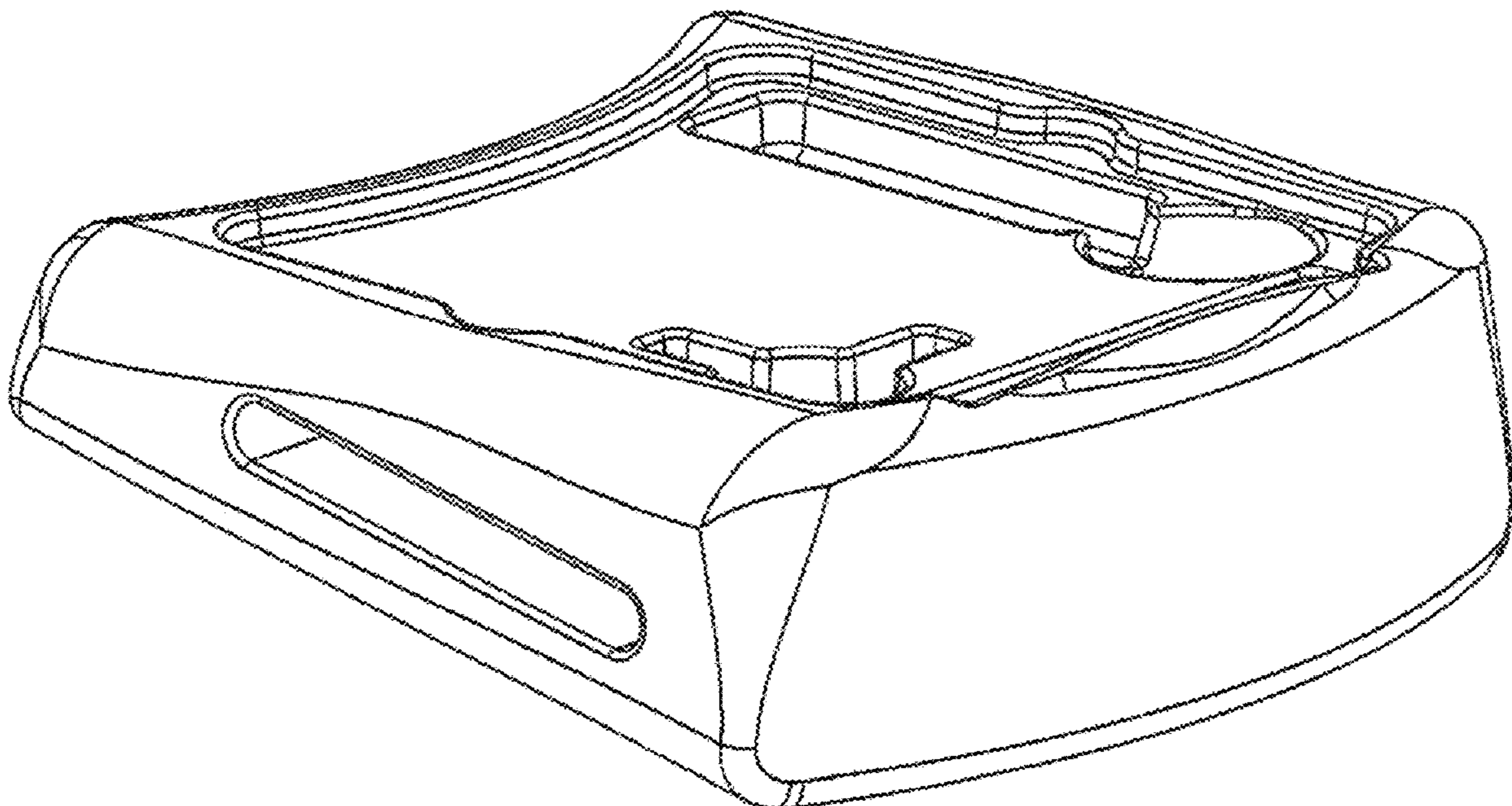
(57) **CLAIM**

The Ornamental Design for a lap tray, as shown and described.

DESCRIPTION

FIG. 1 is a top view of the invention;
FIG. 2 is a bottom view of the invention;
FIG. 3 is a right side view of the invention;
FIG. 4 is a left side view of the invention;
FIG. 5 is a front view of the invention;
FIG. 6 is a rear view of the invention;
FIG. 7 is a first perspective view of the invention; and,
FIG. 8 is a second perspective view of the invention.

1 Claim, 8 Drawing Sheets



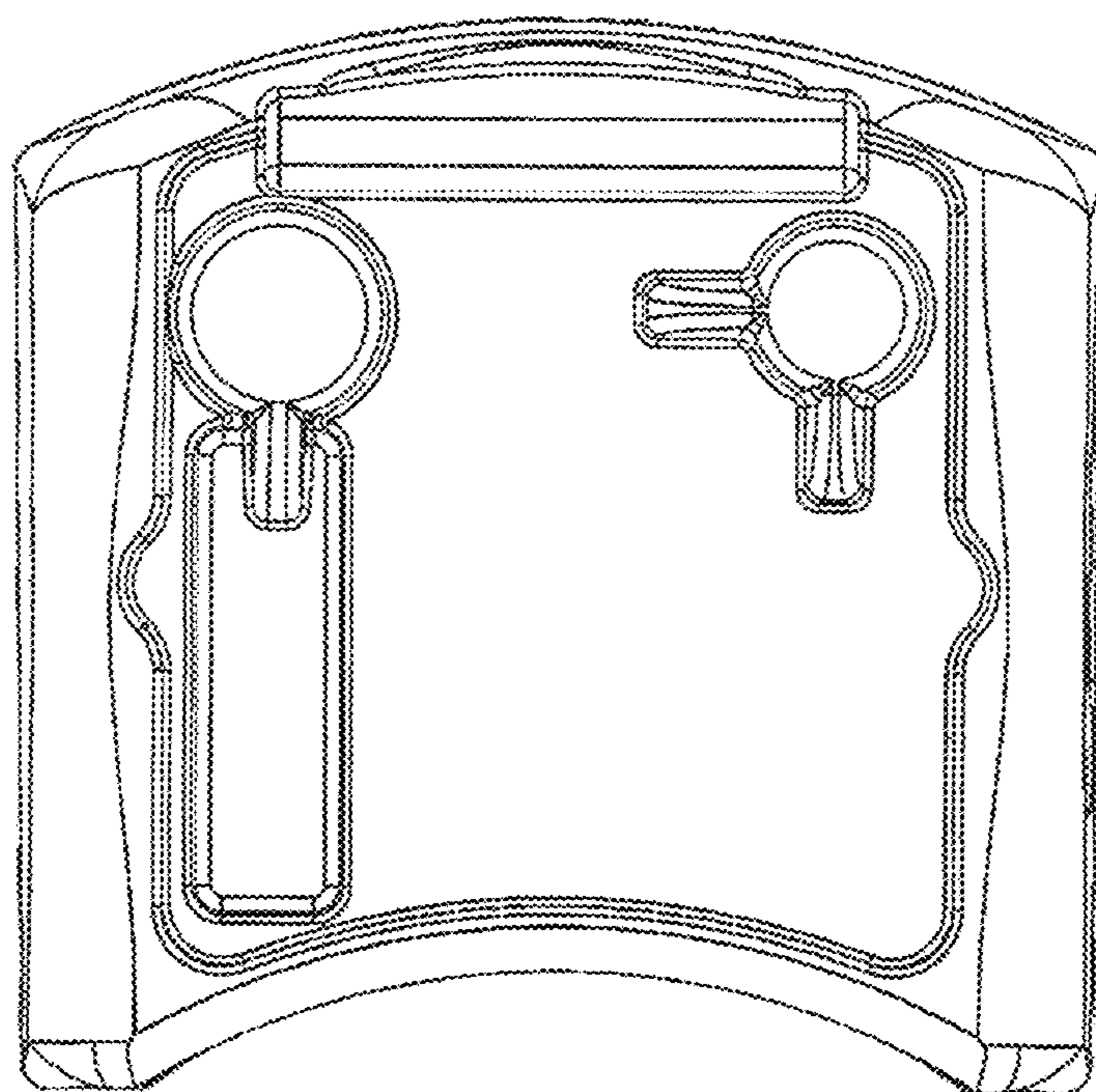


FIG. 1

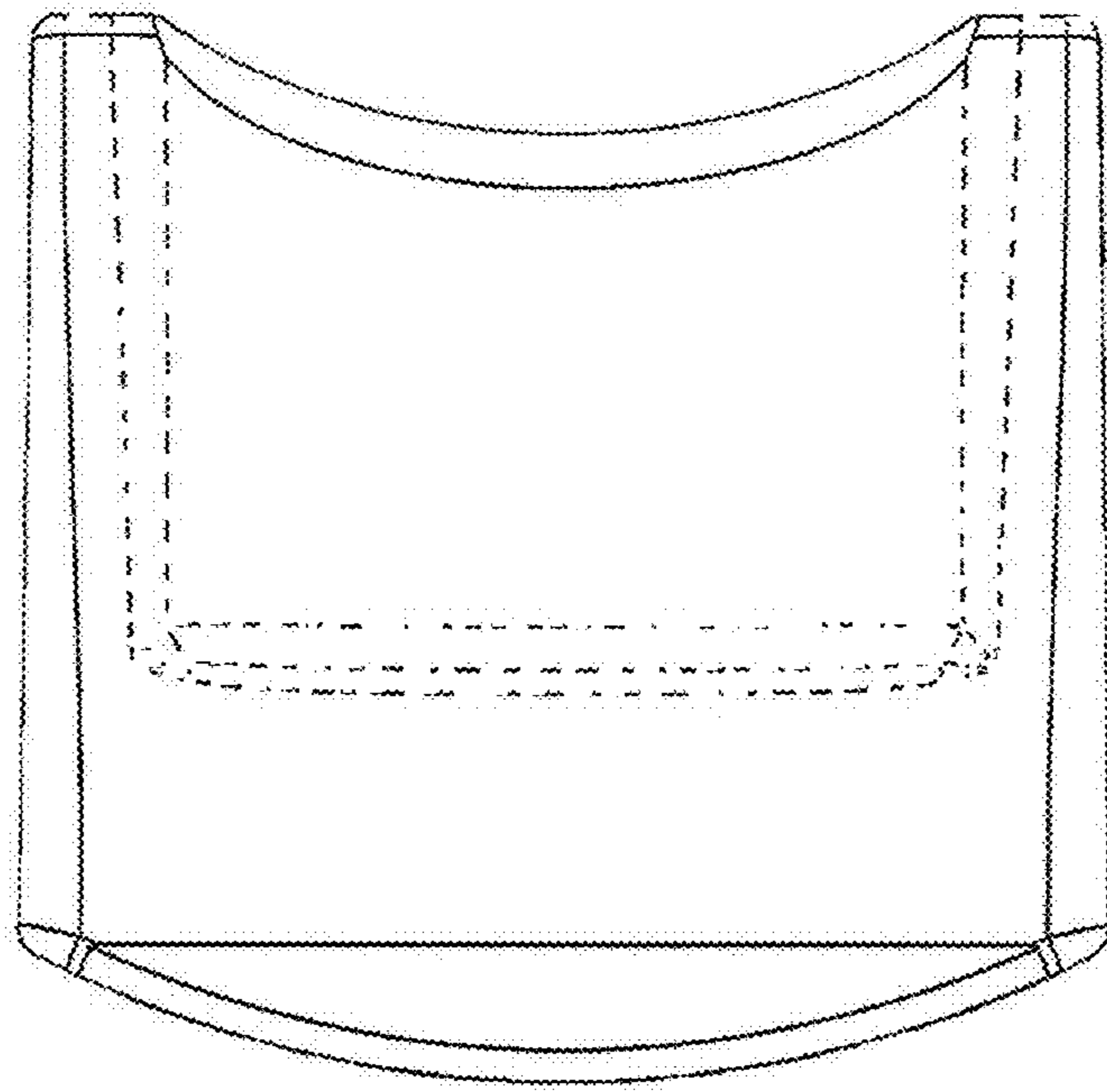


FIG. 2

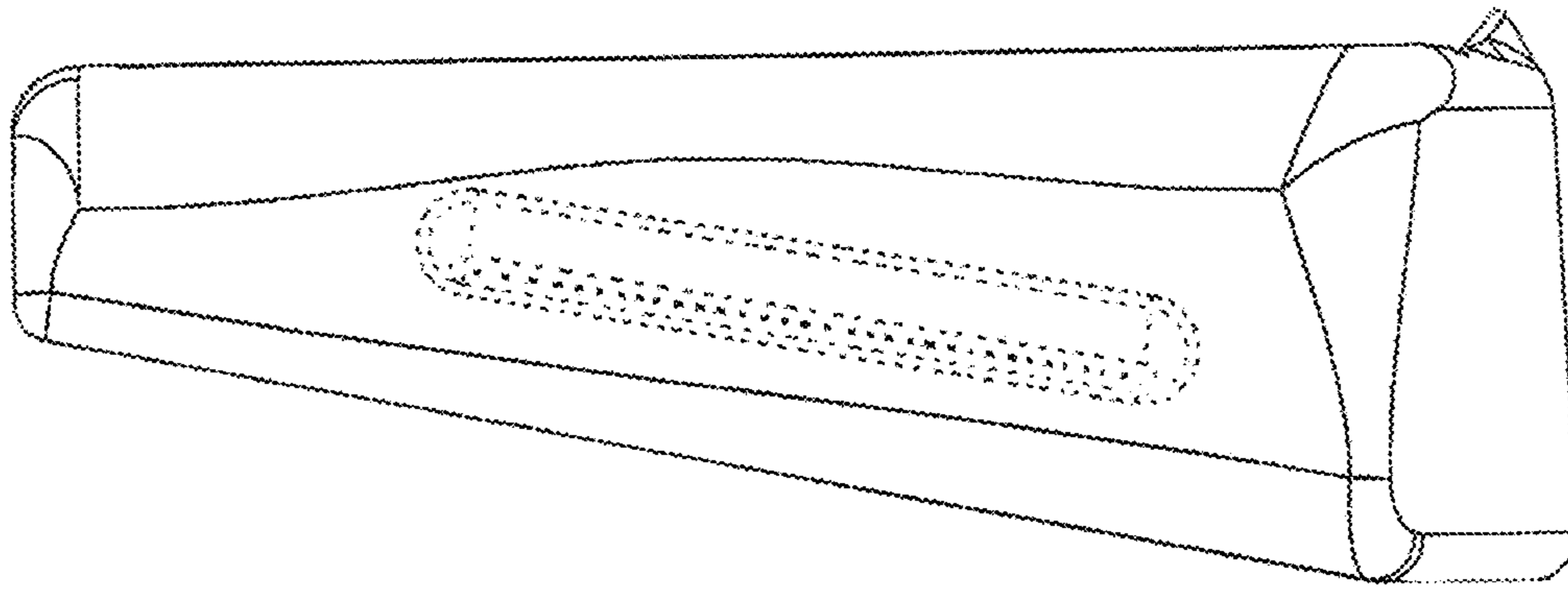


FIG. 3

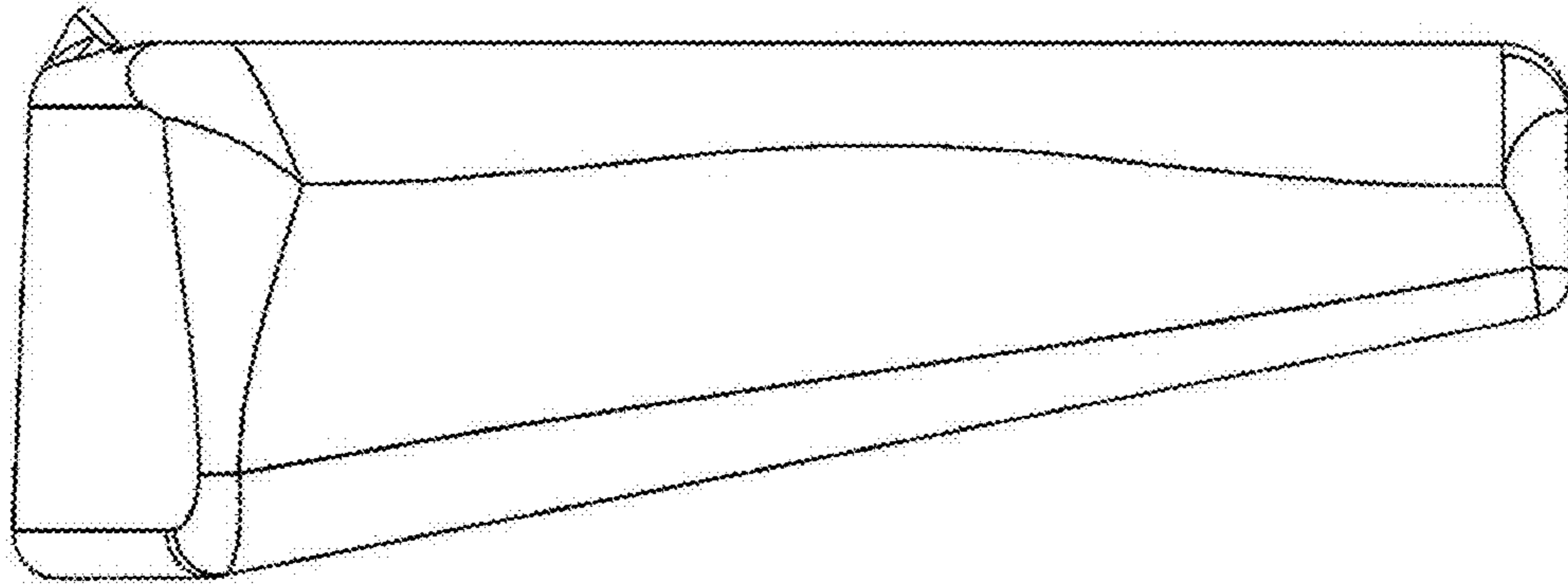


FIG. 4

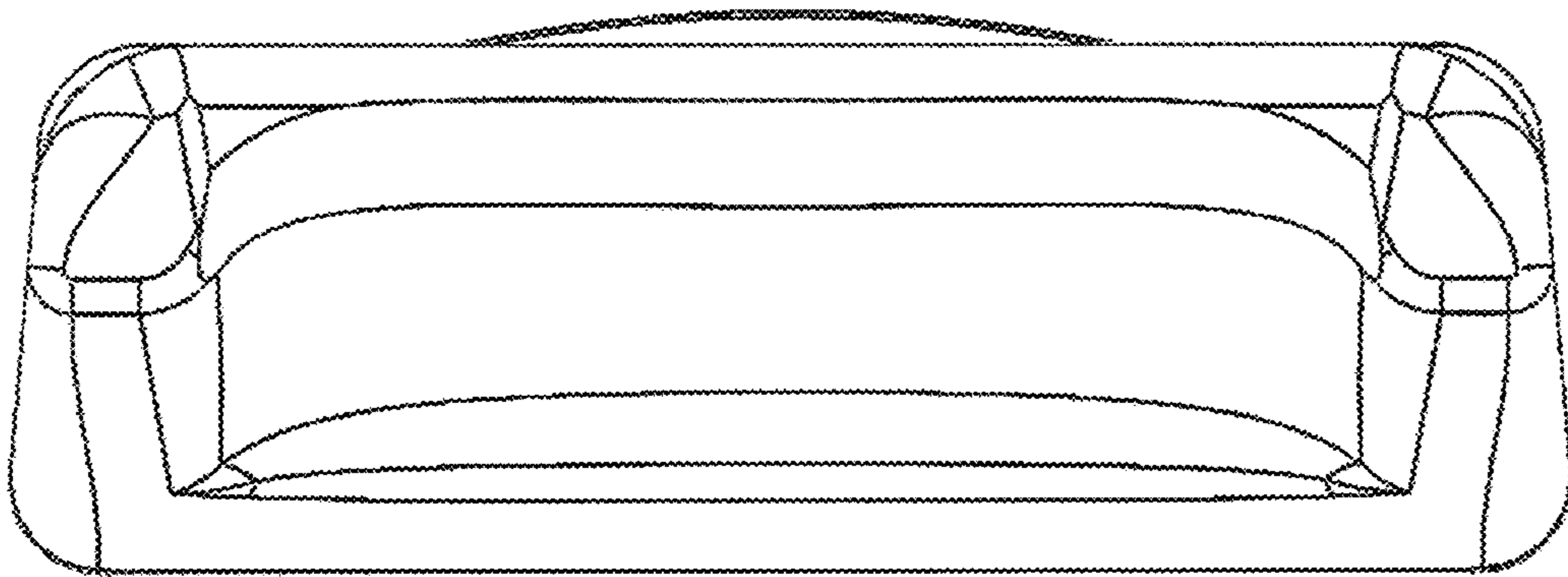


FIG. 5

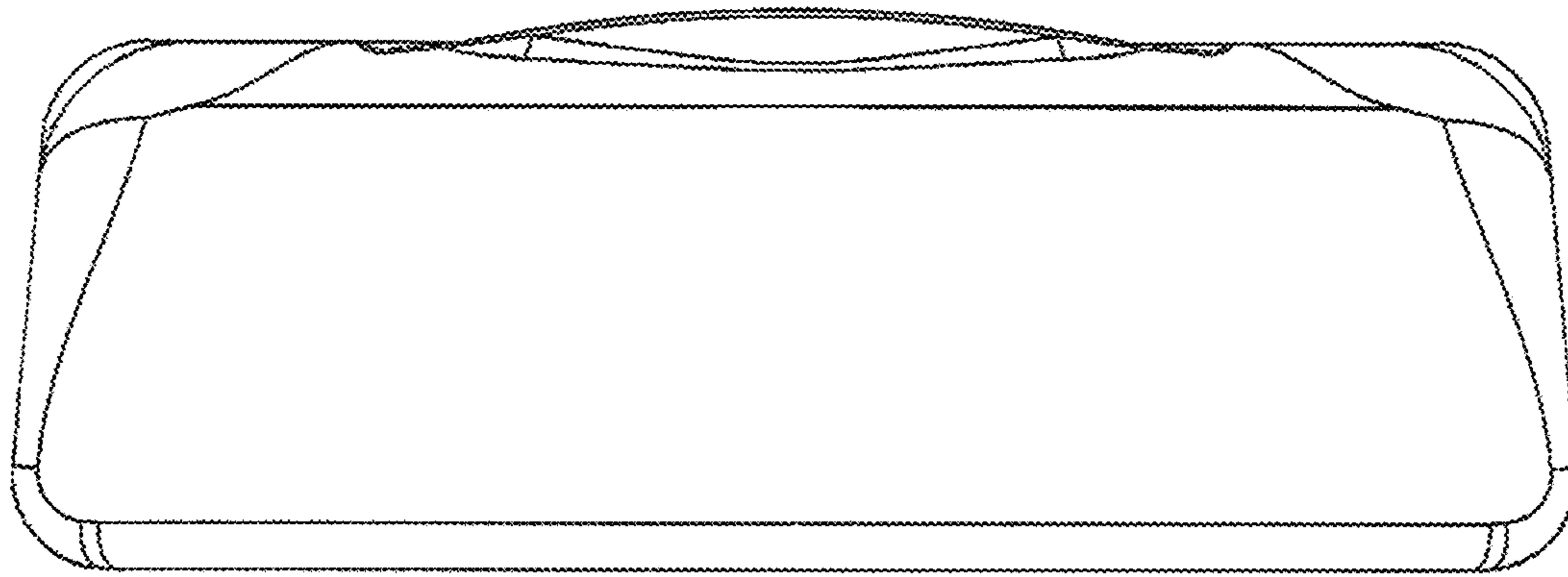


FIG. 6

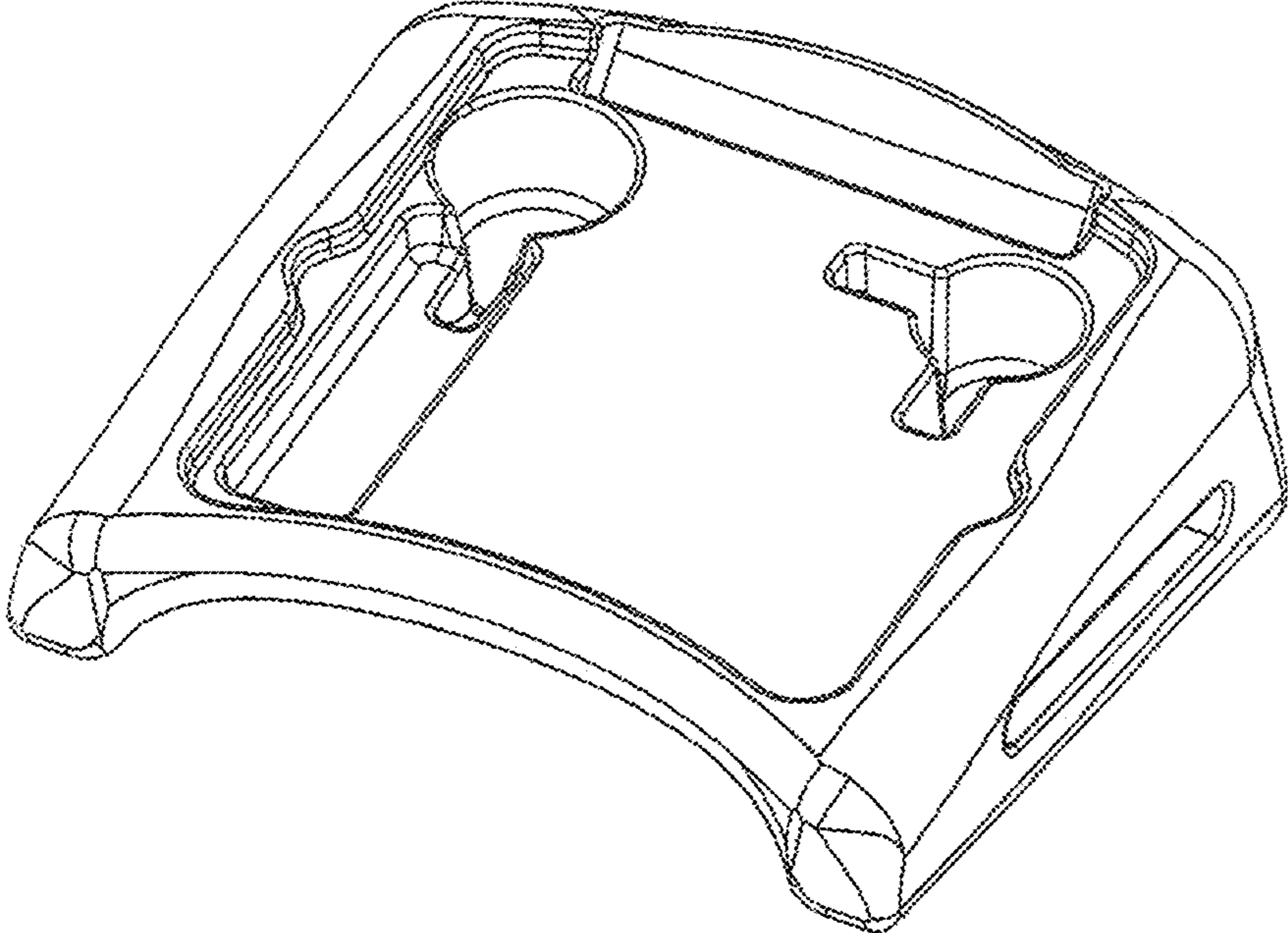


FIG. 7

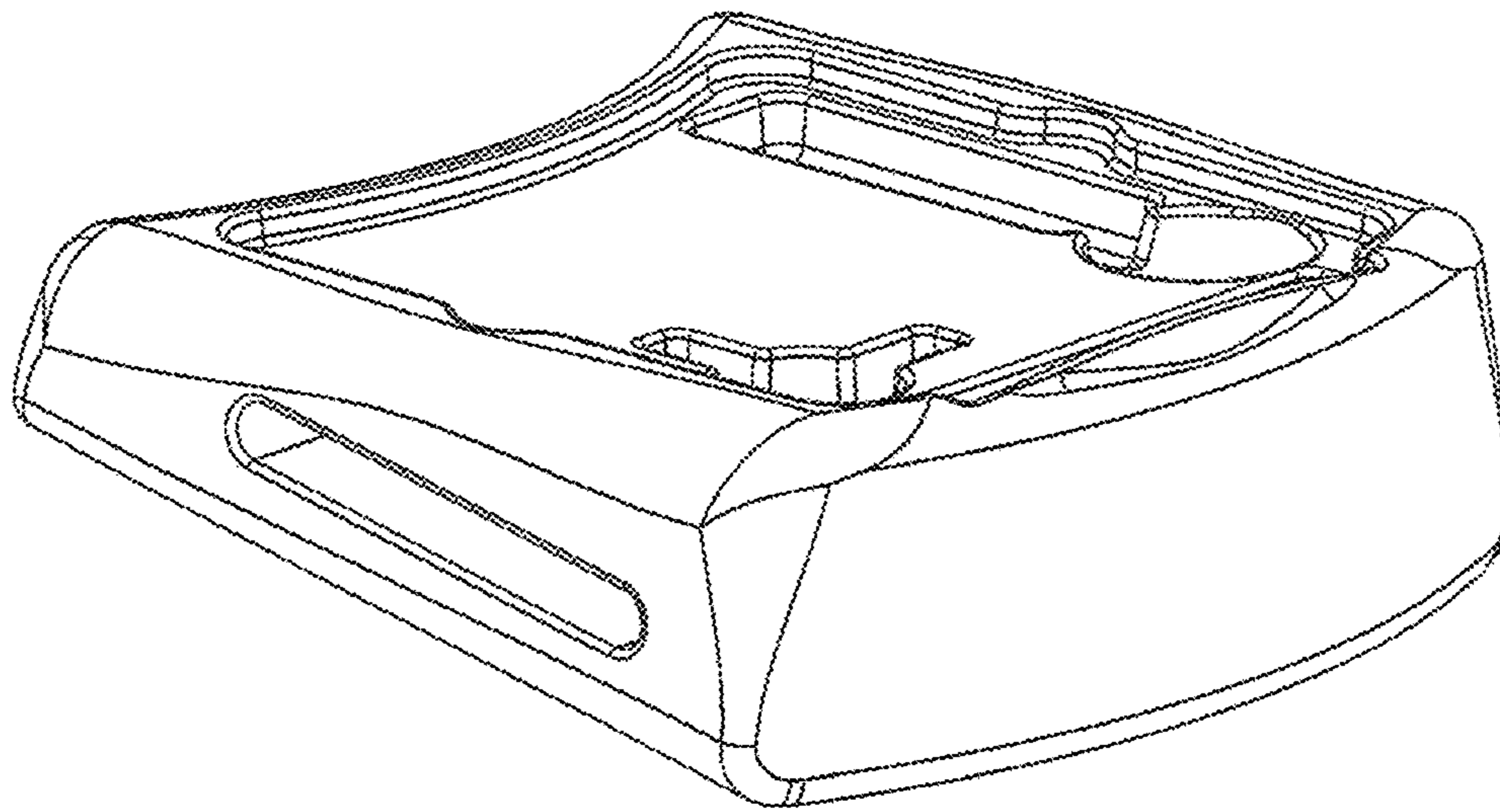


FIG. 8