

US00D892510S

(12) **United States Design Patent** (10) **Patent No.:** **US D892,510 S**
Lee (45) **Date of Patent:** **** Aug. 11, 2020**

(54) **ROCKING CHAIR**
(71) Applicant: **JBL INTERNATIONAL, INC,**
Houston, TX (US)
(72) Inventor: **Lawrence K. Lee,** Houston, TX (US)
(73) Assignee: **JBL INTERNATIONAL, INC,**
Houston, TX (US)
(**) Term: **15 Years**

D239,223 S * 3/1976 Smith D6/348
D253,623 S * 12/1979 Berlic D6/348
D566,411 S * 4/2008 Lee D6/370
D566,975 S * 4/2008 Lee D6/348
D580,197 S * 11/2008 Lee D6/348
D589,273 S * 3/2009 Fairbanks D6/370
D597,325 S * 8/2009 Lee D6/348
D679,105 S * 4/2013 Lee D6/348
D680,339 S * 4/2013 Asner D6/348
D735,482 S * 8/2015 Lee D6/348
D736,528 S * 8/2015 Lee D6/348
D781,631 S * 3/2017 Lee D6/717

(Continued)

(21) Appl. No.: **29/659,096**
(22) Filed: **Aug. 6, 2018**
(51) **LOC (12) Cl.** **06-01**
(52) **U.S. Cl.**
USPC **D6/348**
(58) **Field of Classification Search**
USPC D6/347, 348, 361, 716, 718, 344, 373,
D6/375, 379, 380, 330, 334, 335, 366,
D6/369, 372, 385, 708.16, 358, 377, 370,
D6/717; D12/52; D21/412, 688;
D24/183, 200
CPC A45F 3/22; A45F 3/24; A45F 3/26; A47D
13/10; A47D 13/105; A47D 9/02; A47C
1/14; A47C 3/0255; A47C 3/029; A47C
3/027; A47C 3/02; A47C 3/04; A47C
3/34; A47C 3/007; A47C 15/008; A47C
17/84; A47C 31/00; A47C 5/12; A63G
9/00; A63G 9/02; Y10S 135/909; Y10T
403/32409

See application file for complete search history.

(56) **References Cited**

U.S. PATENT DOCUMENTS

179,920 A * 7/1876 Holton A47C 3/029
297/33
D43,443 S * 1/1913 Taylor D6/348
1,287,109 A * 12/1918 Rosenson A47C 3/029
416/58
D80,737 S * 3/1930 Lehman D6/370

OTHER PUBLICATIONS

“Char Log Patio Rocking Chair with Star” Sep. 19, 2017, homedepot.com, site visited Jun. 18, 2020 <<https://www.homedepot.com/p/Leigh-Country-Char-Log-Patio-Rocking-Chair-with-Star-TX-93605/301652889>> (Year: 2017).*

Primary Examiner — Kevin K Rudzinski
Assistant Examiner — Paul D Bohannon
(74) *Attorney, Agent, or Firm* — Egbert Law Offices, PLLC

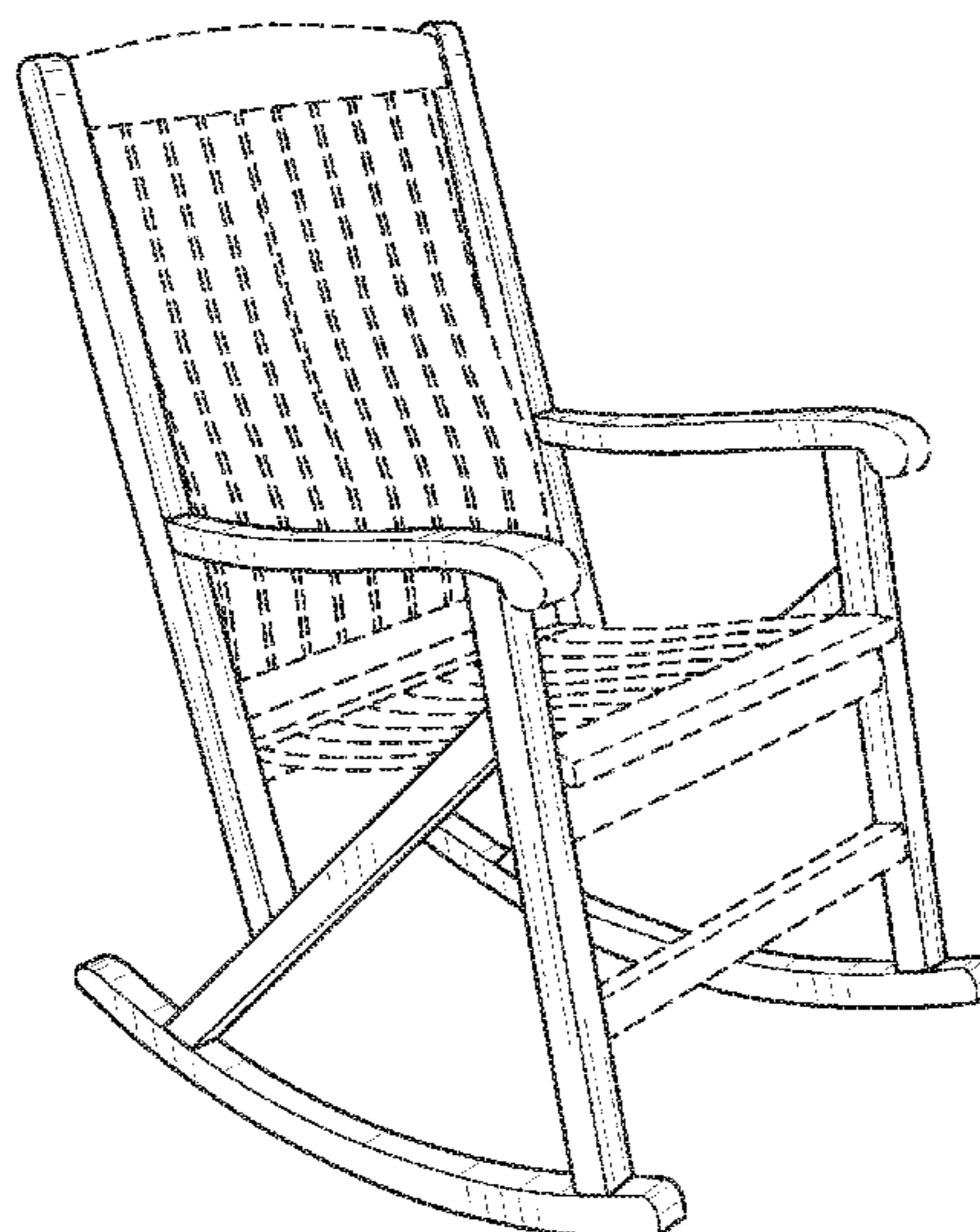
(57) **CLAIM**

The ornamental design for a rocking chair, as shown and described.

DESCRIPTION

FIG. 1 is a perspective view of a rocking chair showing my new design.
FIG. 2 is a front view thereof;
FIG. 3 is a rear view thereof;
FIG. 4 is a side view thereof;
FIG. 5 is an opposite side view thereof;
FIG. 6 is a top view thereof; and,
FIG. 7 is a bottom view thereof.
The features presented in broken lines represent unclaimed portions of the rocking chair and form no part of the claimed design.

1 Claim, 3 Drawing Sheets



(56)

References Cited

U.S. PATENT DOCUMENTS

D816,357 S * 5/2018 Hagan D6/348
D825,211 S * 8/2018 Lee D6/348
D830,075 S * 10/2018 Lee D6/348
2008/0073958 A1* 3/2008 Bellin A47C 3/027
297/261.2
2018/0332971 A1* 11/2018 Britt A47C 3/03

* cited by examiner

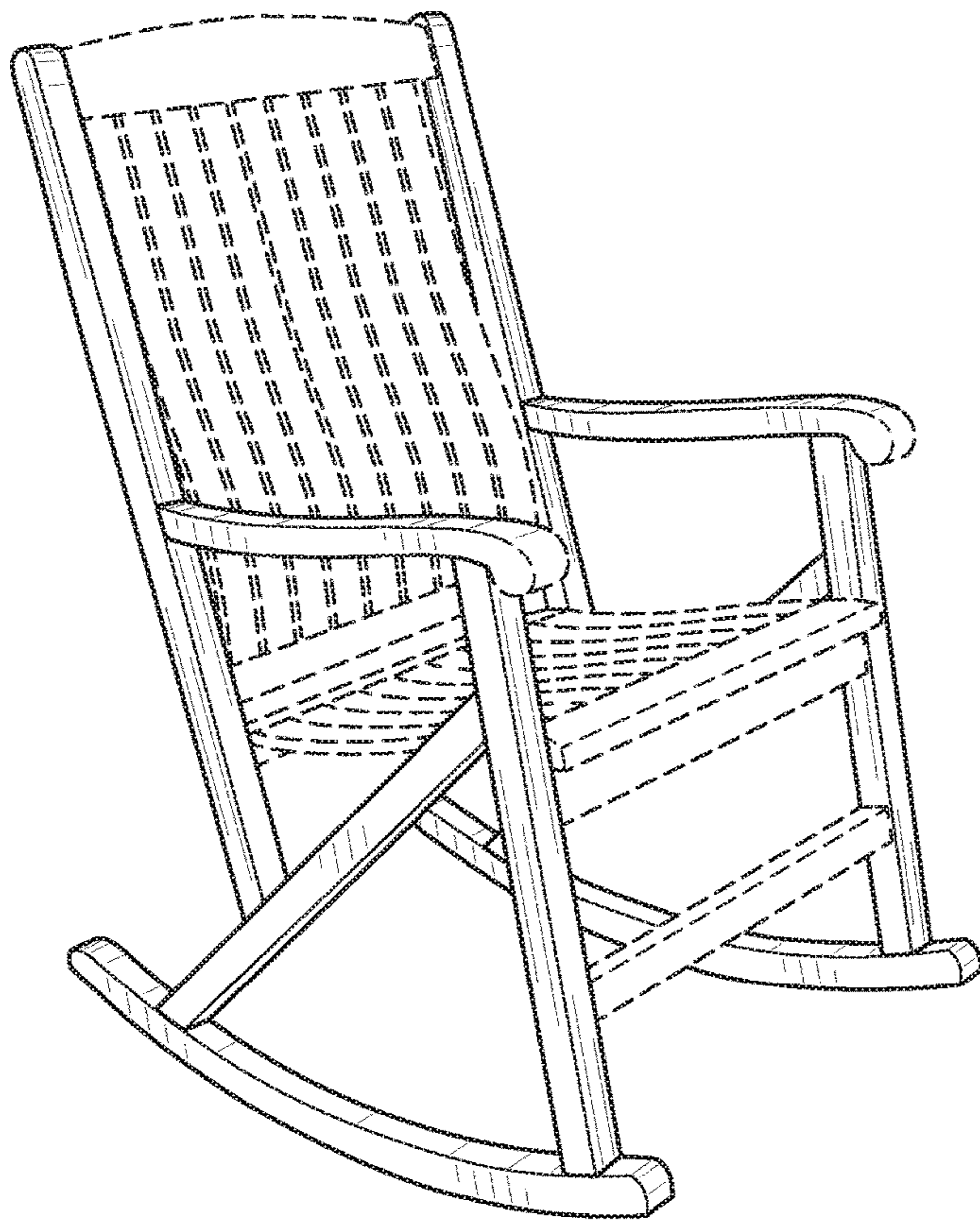


FIG. 1

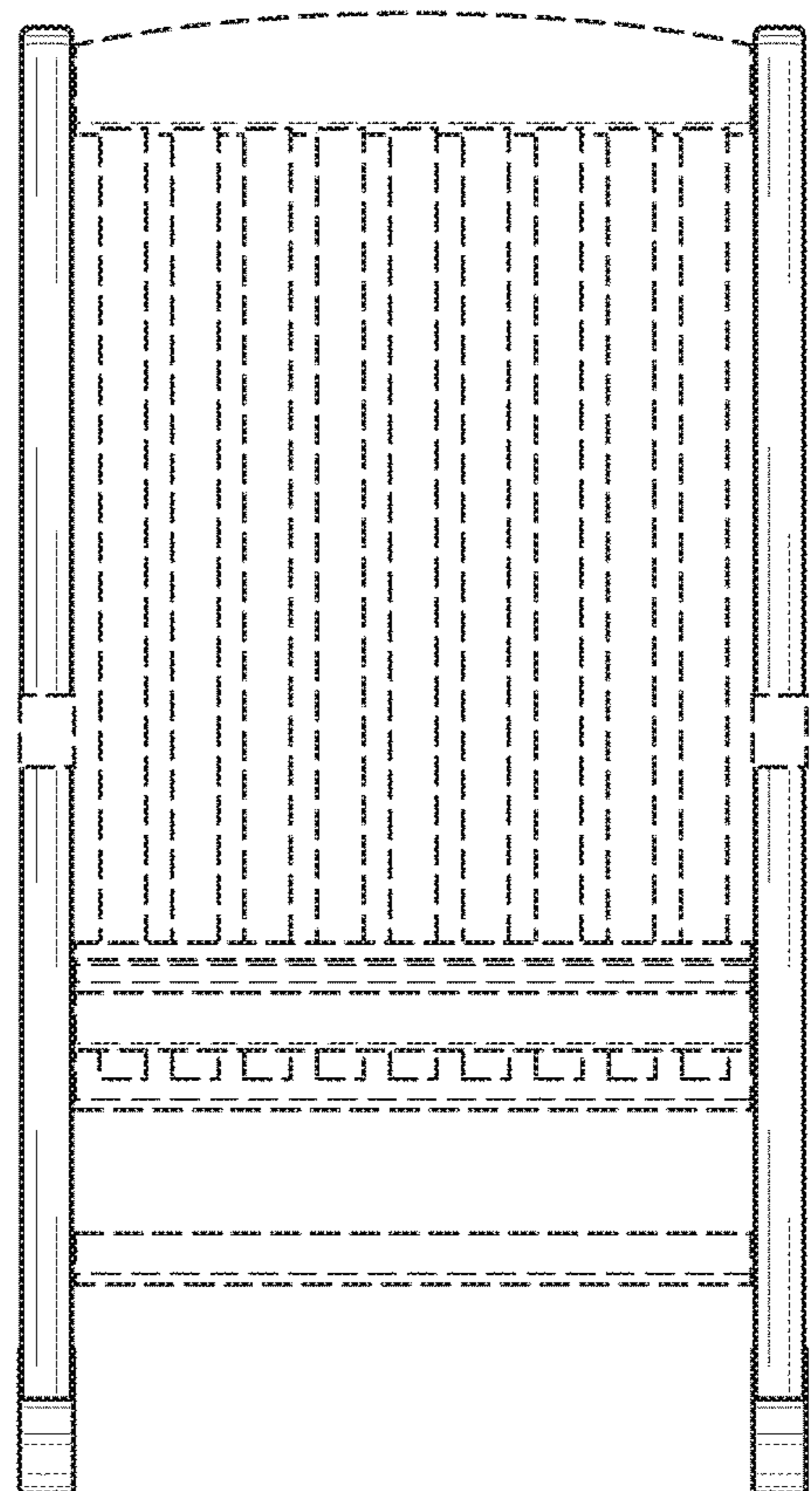


FIG. 2

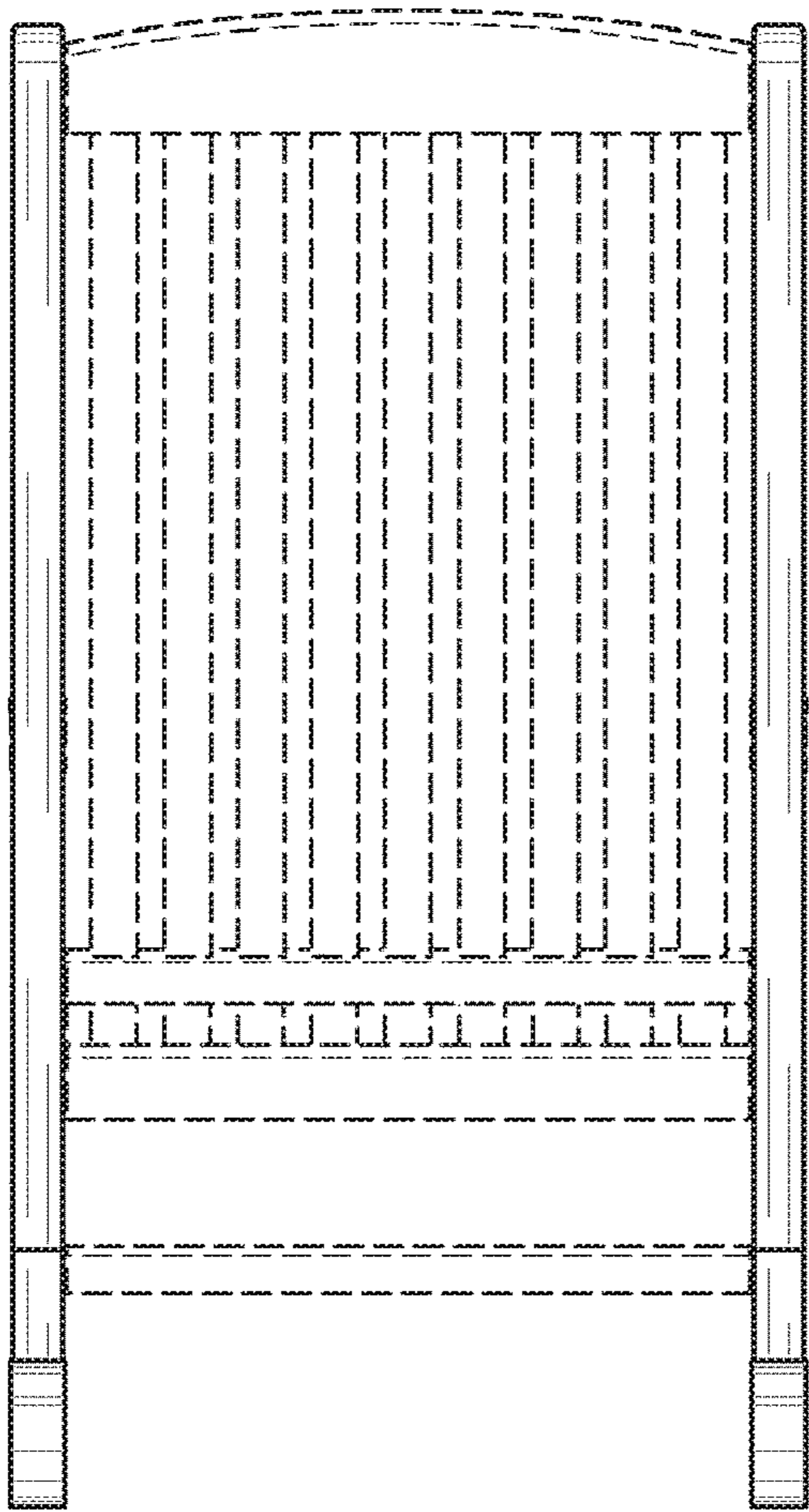


FIG. 3

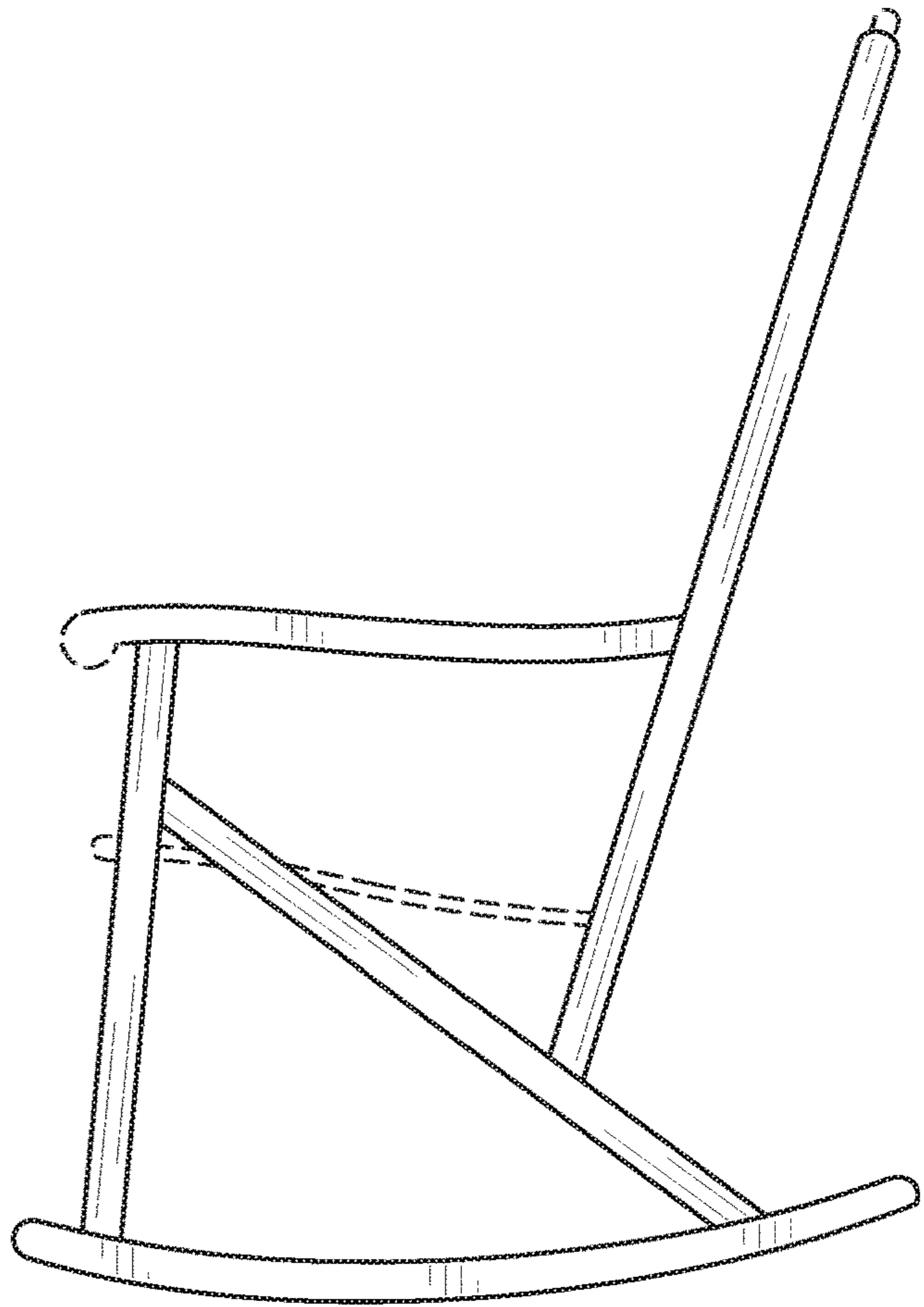


FIG. 4

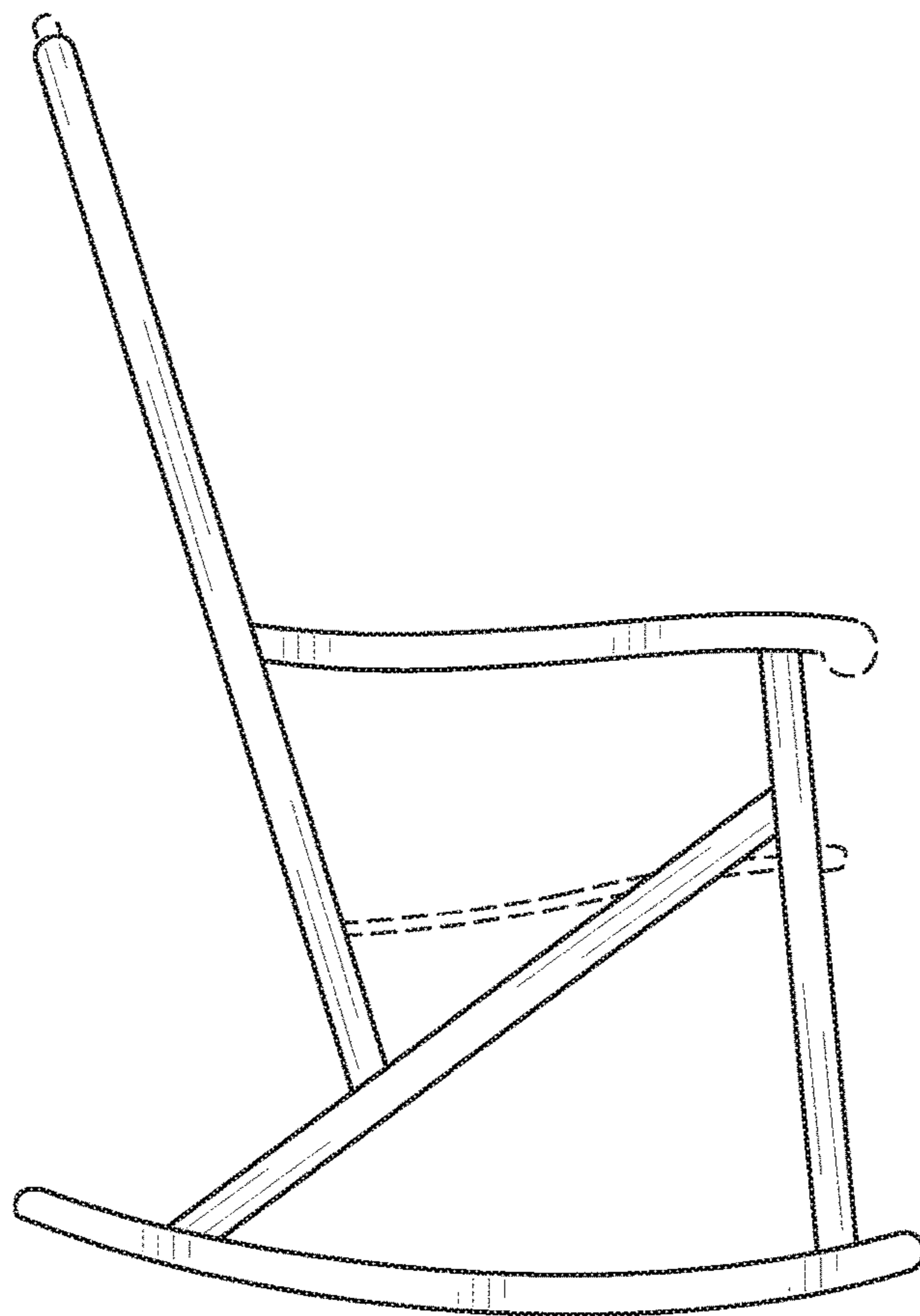


FIG. 5

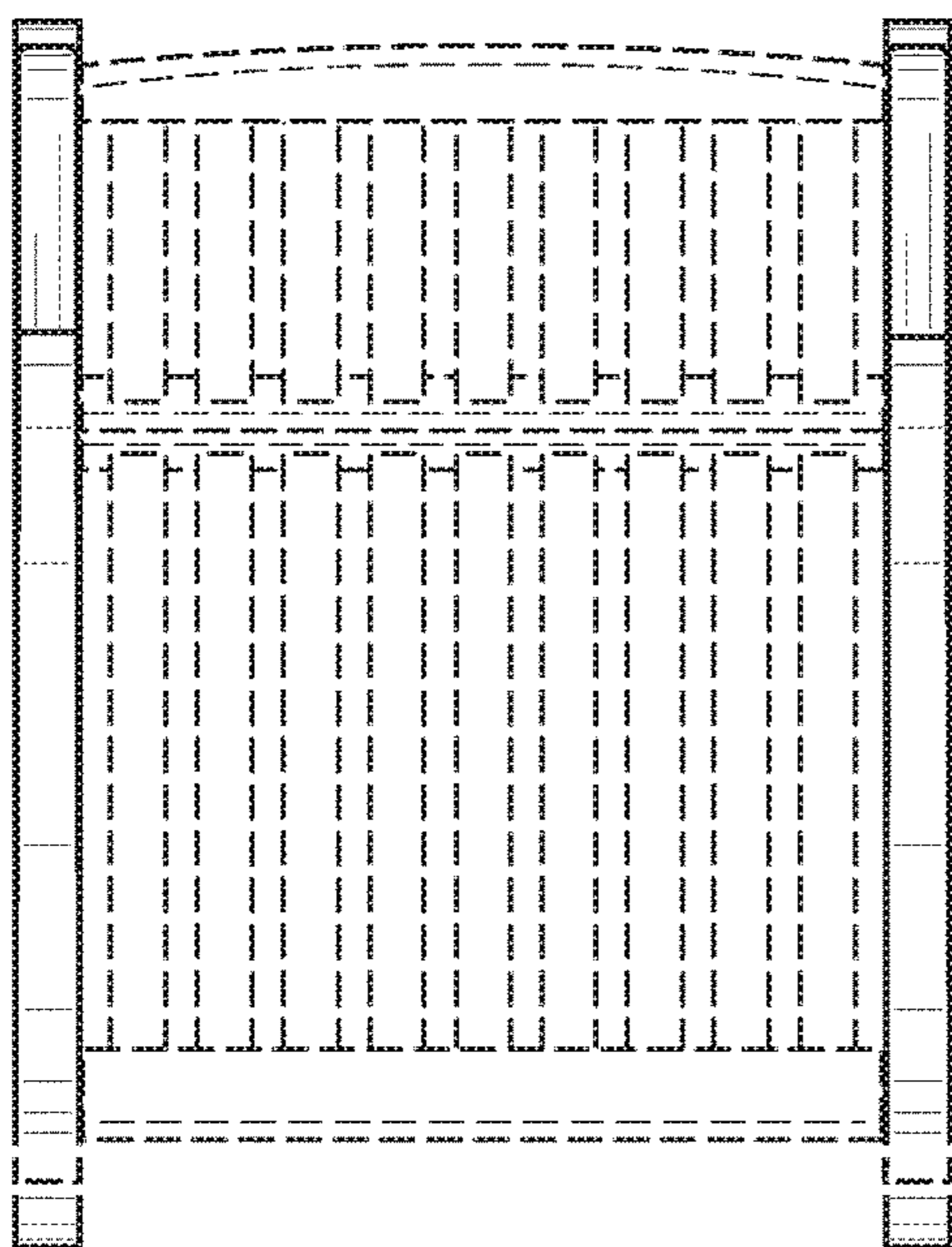


FIG. 6

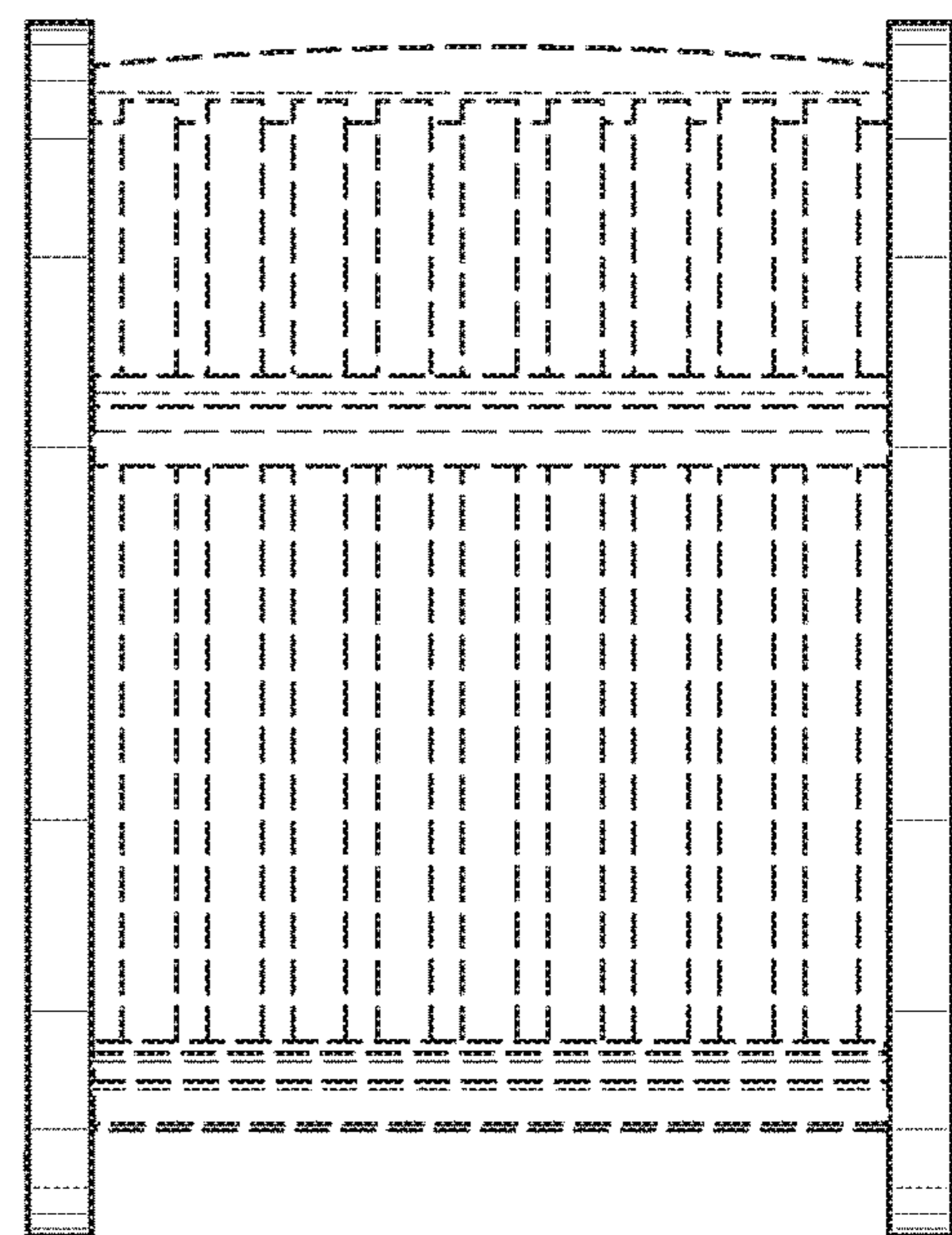


FIG. 7