



US00D892509S

(12) **United States Design Patent** (10) **Patent No.:** **US D892,509 S**  
**Olipa** (45) **Date of Patent:** **\*\* Aug. 11, 2020**

(54) **CHILDREN HIGH CHAIR**

(71) Applicant: **Olymp & Olipa GmbH**, Frechen (GE)

(72) Inventor: **Andrej Alexandrovic Olipa**, Frechen (DE)

(\*\*) Term: **15 Years**

(21) Appl. No.: **29/674,723**

(22) Filed: **Dec. 24, 2018**

(51) **LOC (12) Cl.** ..... **06-01**

(52) **U.S. Cl.**  
USPC ..... **D6/339**

(58) **Field of Classification Search**  
USPC ..... D6/333-336, 339, 344, 702, 716,  
D6/716.1-716.7; 297/183.1-183.4,  
297/184.13, 184.15, 184.17, 250.1, 255,  
297/256.1, 256.15, 219.12, 463.1;  
D12/129-130, 133; D21/412, 428, 419;  
280/30-31; 5/94, 98.1, 99.1, 101-102,  
5/105, 655, 93.1, 12.1; 24/200  
CPC ..... A47D 13/02; A47D 13/10; A47D 13/083;  
A47D 1/00; A47D 1/002; A47D 1/004;  
A47D 1/008; A47D 1/04; B60N 2/22;  
B60N 2/24; B60N 2/2821; B60N 2/02;  
B60N 2/10; B60N 2/16; B60N  
2002/0212; B60N 2002/0216; B60N  
2002/022; A47C 3/00; A47C 3/02; A47C  
3/025; A47C 3/20

See application file for complete search history.

(56) **References Cited**

U.S. PATENT DOCUMENTS

4,723,813	A *	2/1988	Kassai .....	A47D 1/0081 297/153
D590,608	S *	4/2009	Ebina .....	D6/339
D614,873	S *	5/2010	Ebina .....	D6/339
D668,068	S *	10/2012	Chuah .....	D6/339
D732,842	S *	6/2015	Bormann .....	D6/339
D779,842	S *	2/2017	Chuah .....	D6/339

\* cited by examiner

*Primary Examiner* — Abraham Bahta

(74) *Attorney, Agent, or Firm* — Furr Law Firm; Jeffrey Furr, Esq.

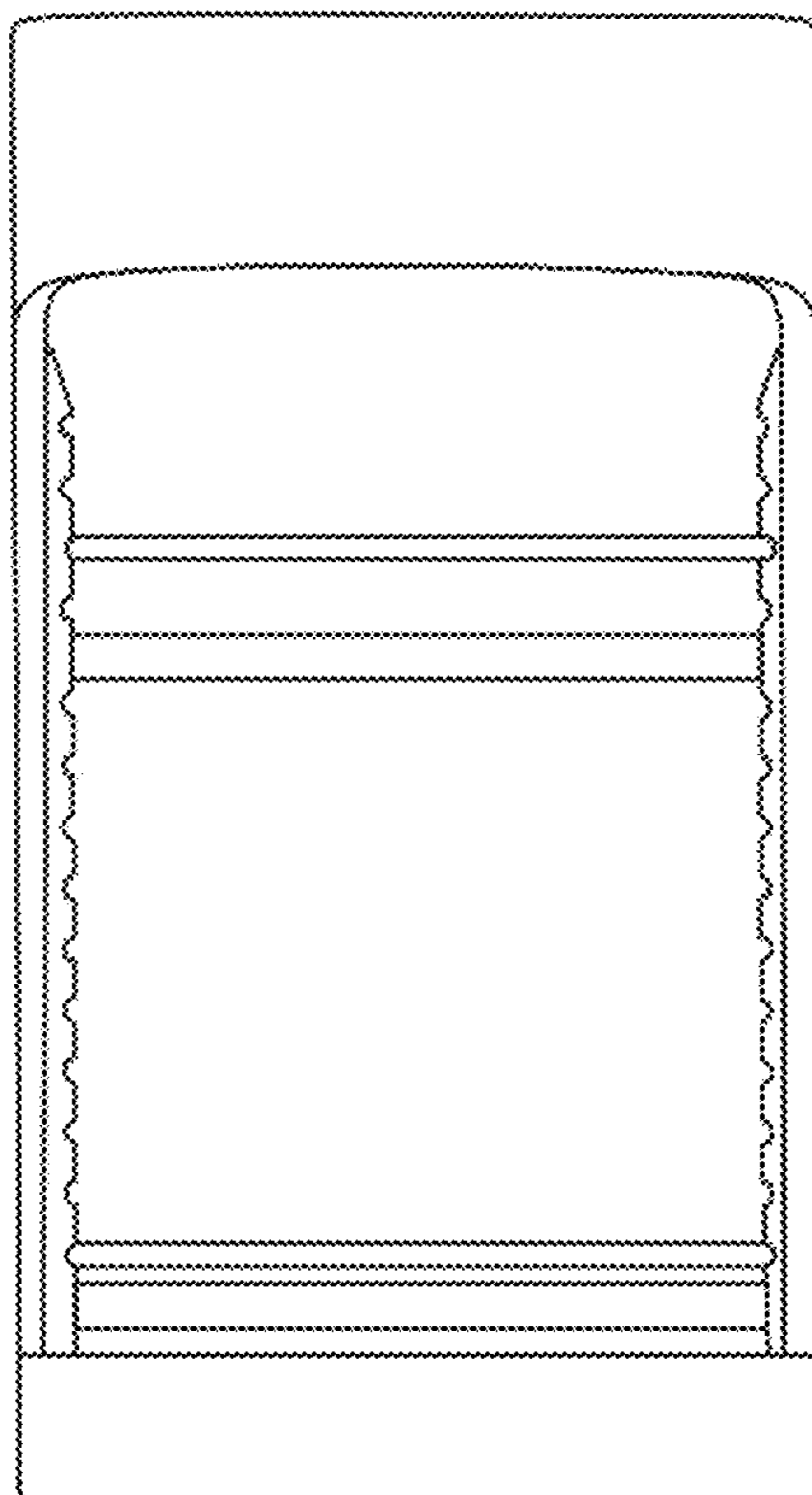
(57) **CLAIM**

The ornamental design for a children high chair, as shown and described.

**DESCRIPTION**

FIG. 1 is a back view of the children high chair showing my new design;  
FIG. 2 is a left side view thereof;  
FIG. 3 is a front view thereof;  
FIG. 4 is a right side view thereof;  
FIG. 5 is a right front view thereof;  
FIG. 6 is a left front thereof; and,  
FIG. 7 is a left back view thereof.

**1 Claim, 7 Drawing Sheets**



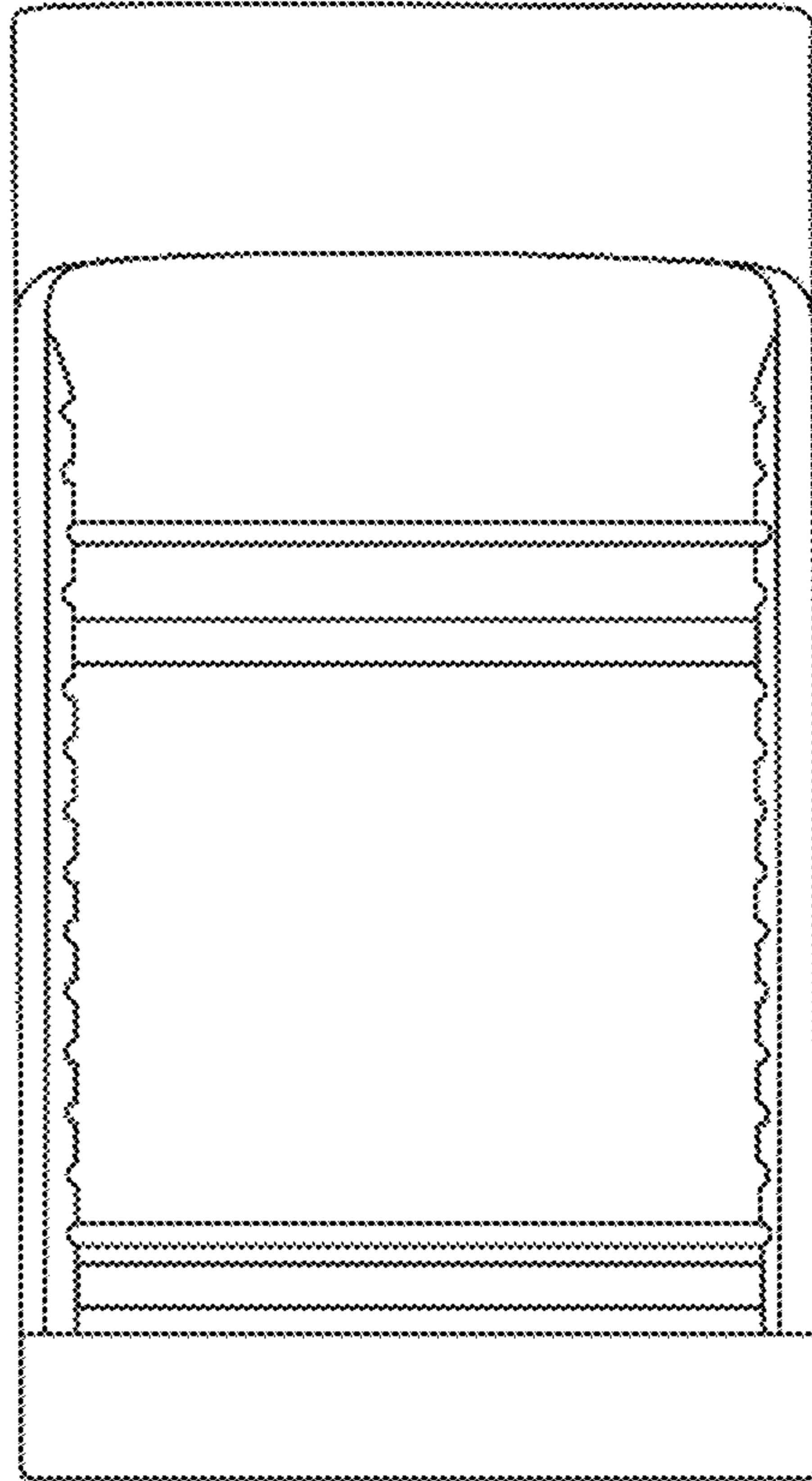


Fig. 1

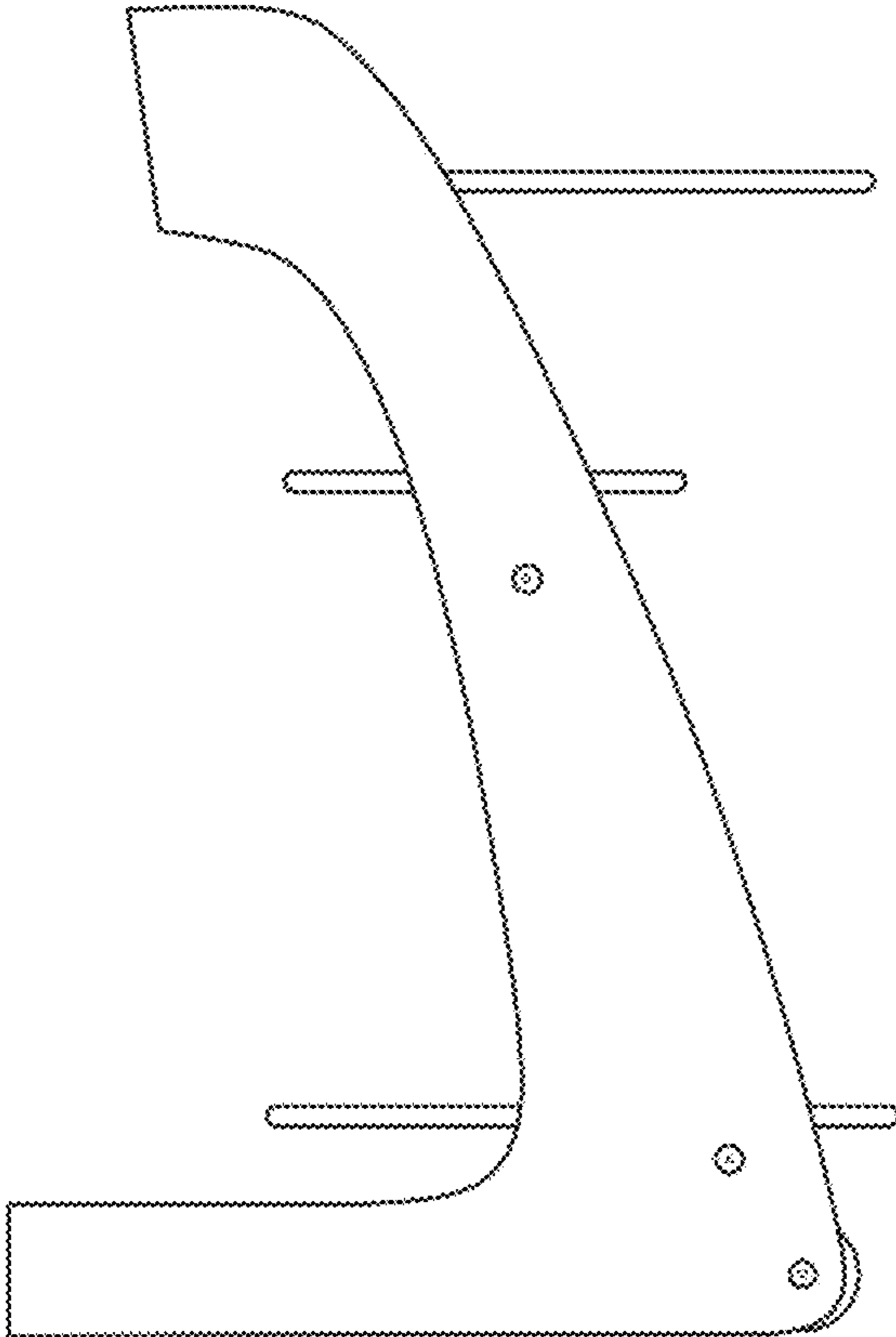


Fig. 2

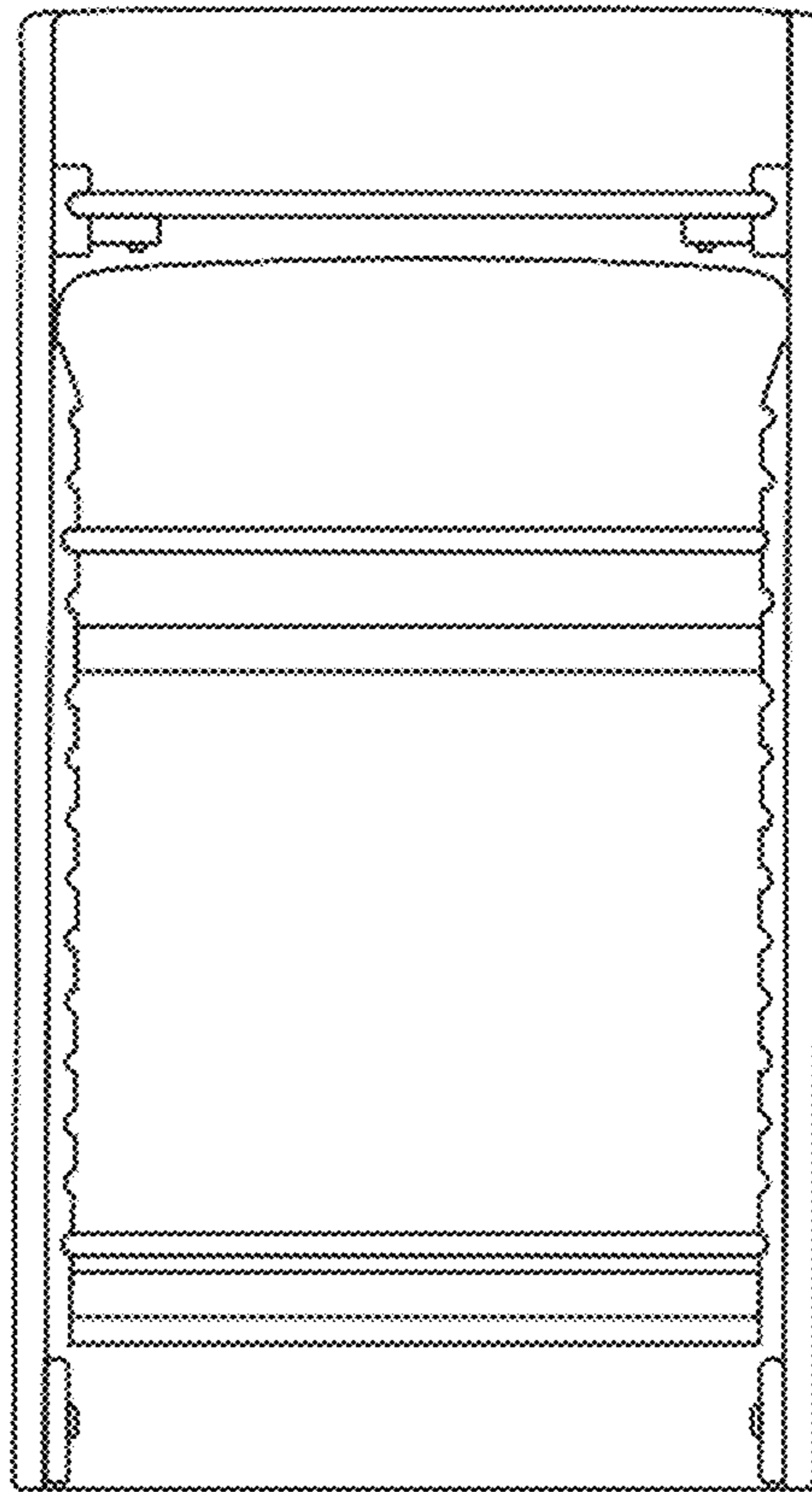


Fig. 3

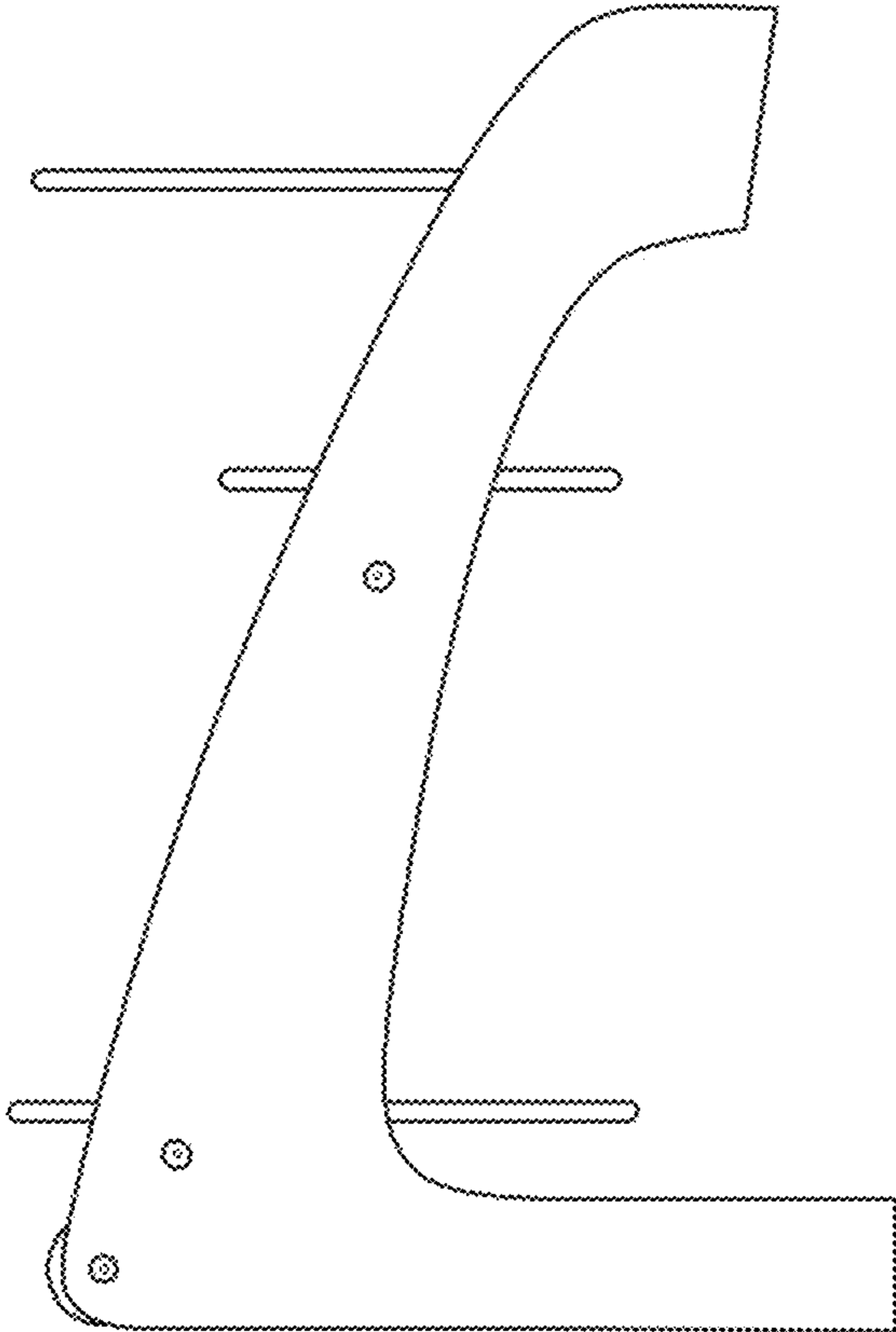


Fig. 4

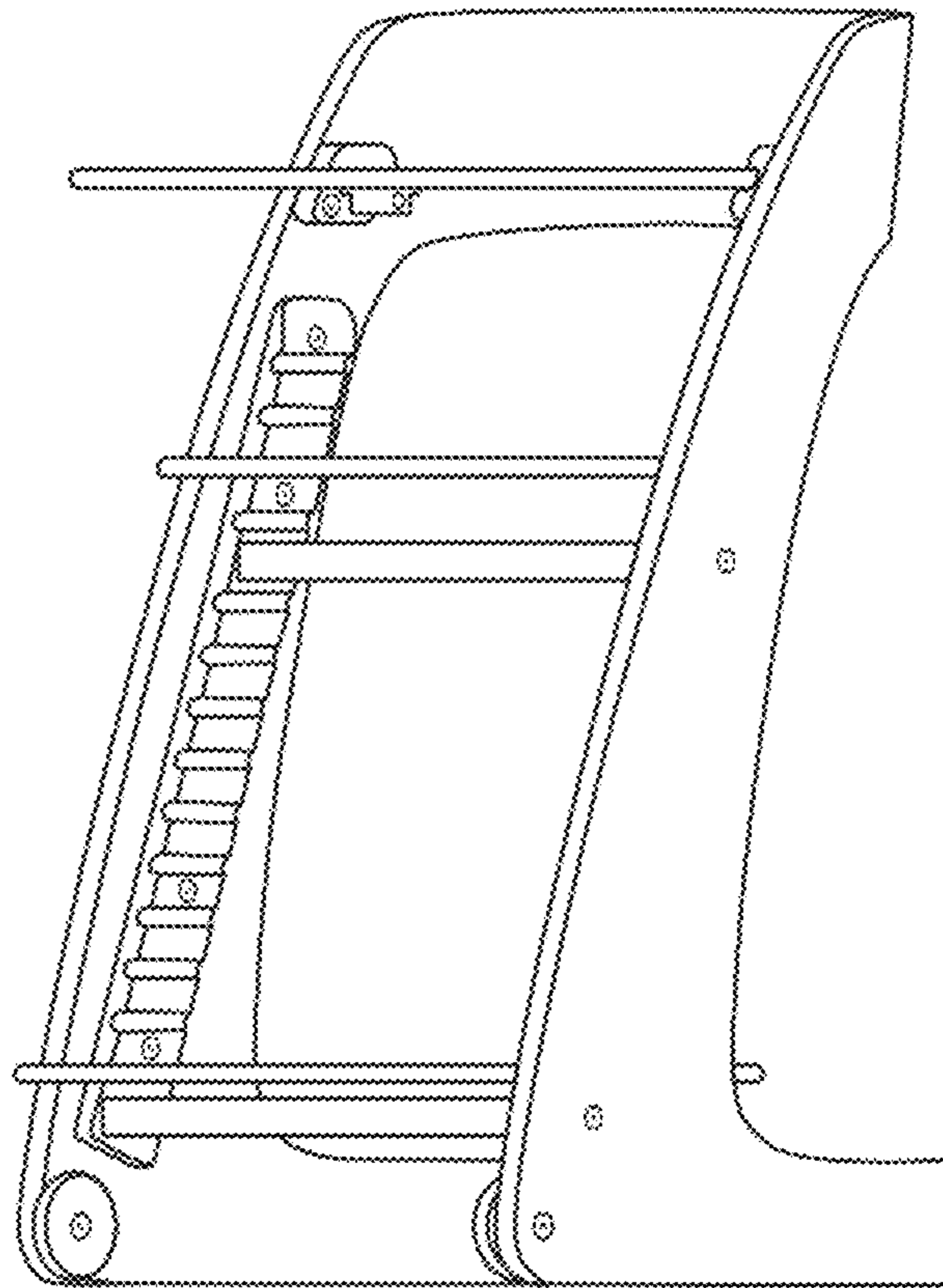


Fig. 5

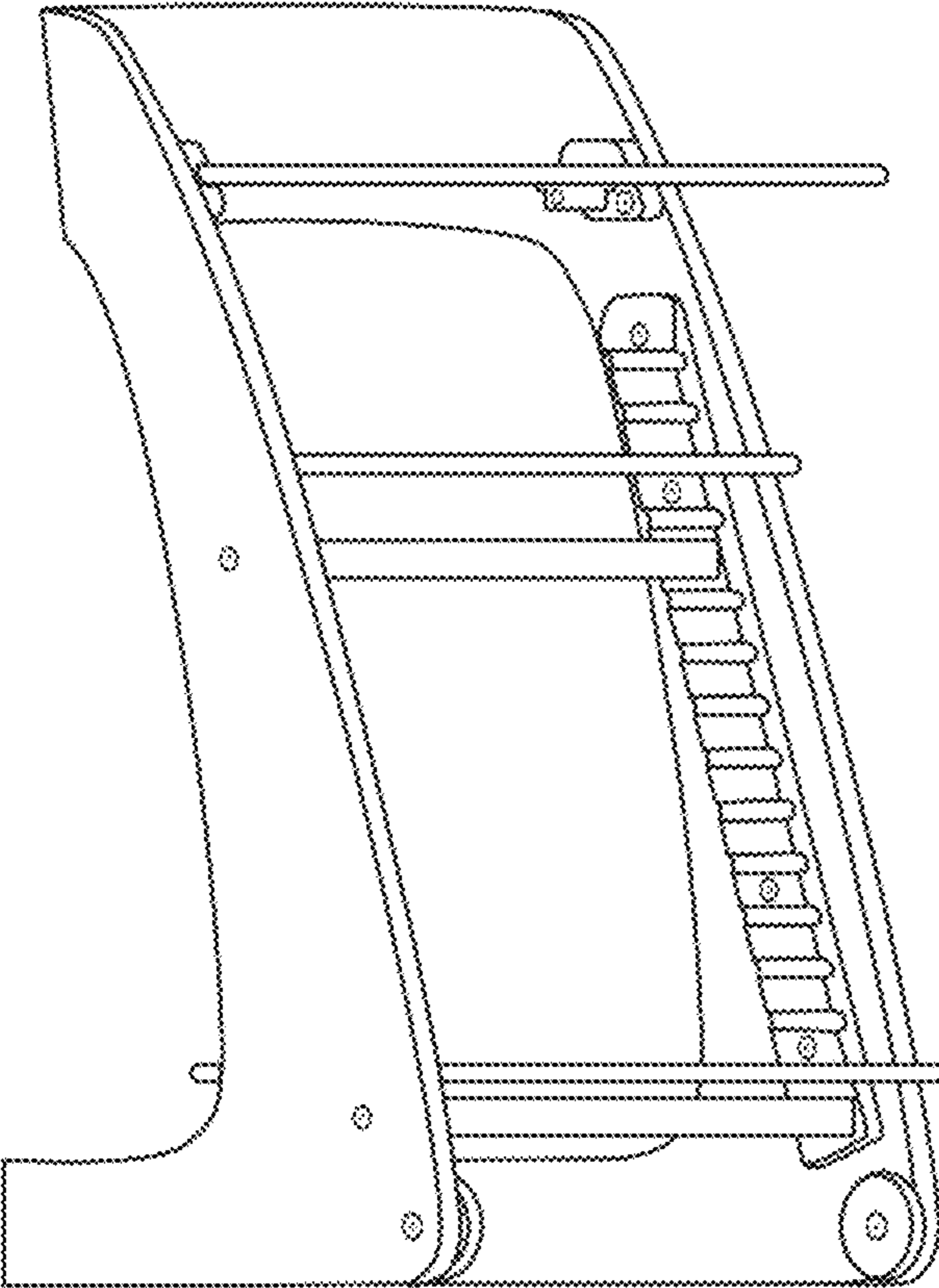


Fig. 6



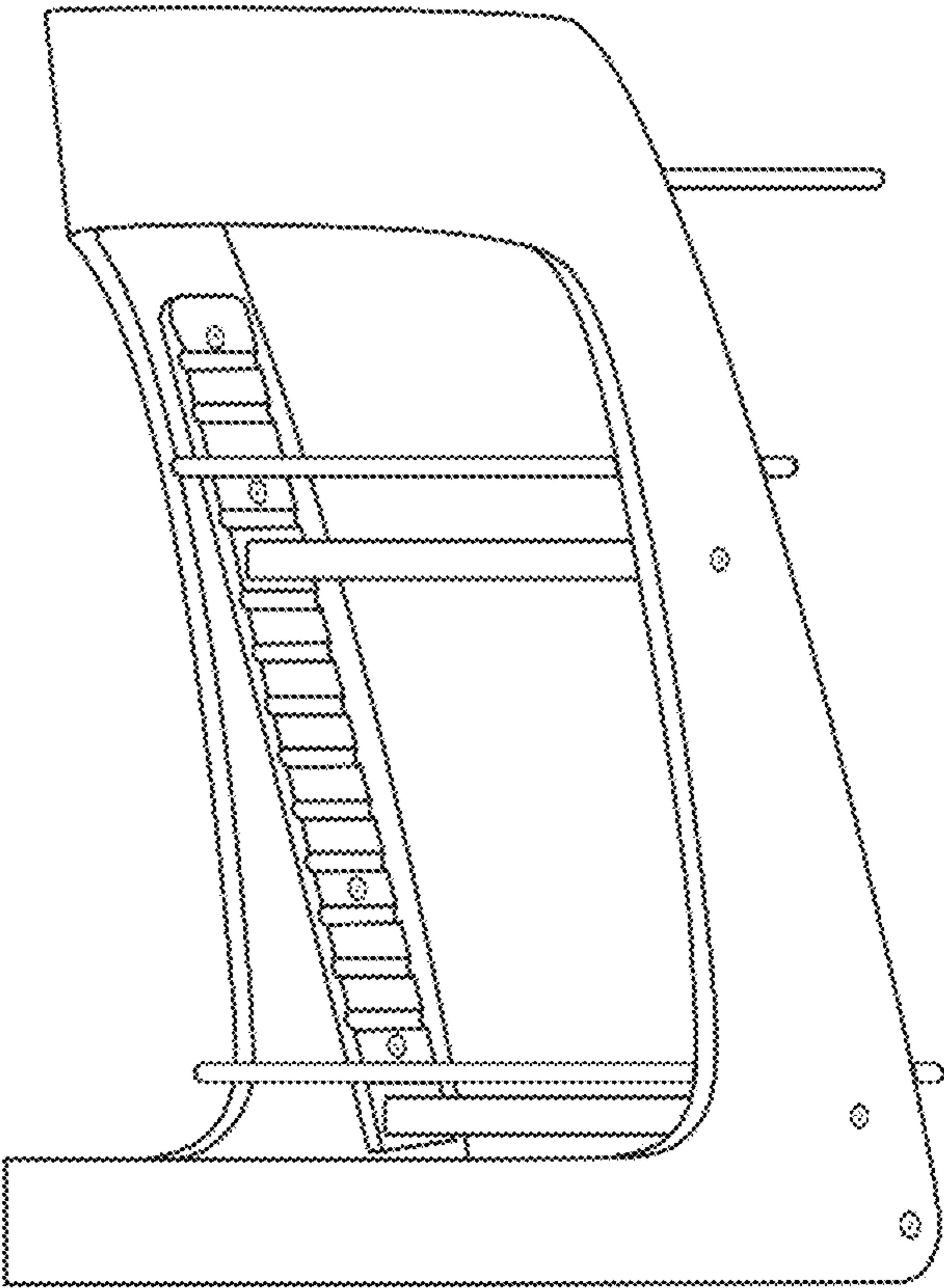


Fig. 7