



US00D892507S

(12) **United States Design Patent** (10) **Patent No.:** **US D892,507 S**
Odum (45) **Date of Patent:** **** Aug. 11, 2020**

- (54) **COMBINATION EDGE BRUSH**
- (71) Applicant: **Firstline, Incorporated**, Stafford, TX (US)
- (72) Inventor: **Joni Allyn Odum**, Collegeville, PA (US)
- (73) Assignee: **Firstline, Incorporated**, Stafford, TX (US)
- (**) Term: **15 Years**
- (21) Appl. No.: **29/709,968**
- (22) Filed: **Oct. 18, 2019**

Related U.S. Application Data

- (63) Continuation of application No. 29/656,467, filed on Jul. 12, 2018, now Pat. No. Des. 866,984.
- (51) **LOC (12) Cl.** **04-99**
- (52) **U.S. Cl.**
USPC **D4/117**
- (58) **Field of Classification Search**
USPC D4/104–106, 108, 110, 112, 116–118, D4/127, 128, 130, 132, 134; D28/7, 10, D28/21, 25, 30
CPC .. A46B 3/005; A46B 5/00; A46B 5/02; A46B 5/021; A46B 9/02; A46B 9/021; A46B 9/023; A46B 13/001; A46B 13/008; A46B 15/0055; A46B 15/0081; A46B 15/0087; A46B 17/02; A46B 2200/30; A46B 2200/104; A46B 2200/106; A46B 2200/202; A46B 2200/205; A46B 2200/207; A46B 2200/304; A46B 2200/1006; A46B 2200/1046; A46B 2200/1053; A46B 2200/3006; A46B 2200/3033; A46B 2200/3093; A45D 24/10; A45D 24/14; A45D 24/16; H01L 21/67046

See application file for complete search history.

- (56) **References Cited**
U.S. PATENT DOCUMENTS
D123,430 S 11/1940 Hertzberg
2,272,151 A 2/1942 Hertzberg
D159,106 S 6/1950 Stamp
(Continued)

- OTHER PUBLICATIONS**
Camryn's BFF Gentle Edges Brush 818 Pink; retrieved from www.firstlinebrands.com on Jul. 6, 2018 (2 pages).
(Continued)

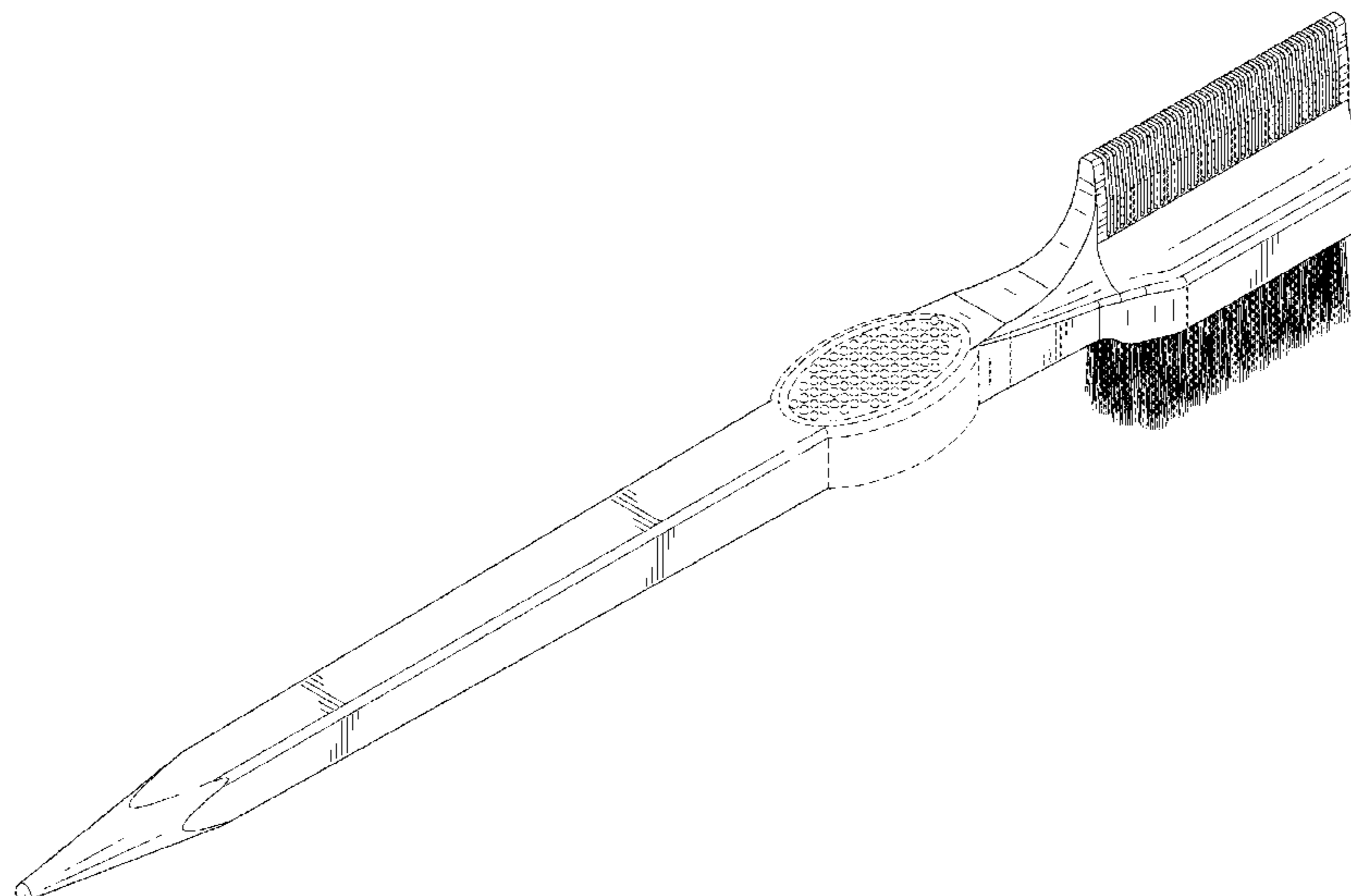
Primary Examiner — Sheryl Lane
Assistant Examiner — Calvin E Vansant
(74) *Attorney, Agent, or Firm* — Shannon Bates; Harper Bates & Champion LLP

- (57) **CLAIM**
The ornamental design for a combination edge brush, as shown and described.

DESCRIPTION

FIG. 1 is a front perspective view of the combination edge brush of the present invention;
FIG. 2 is a front view of the combination edge brush of the present invention;
FIG. 3 is a rear view of the combination edge brush of the present invention;
FIG. 4 is a right side view of the combination edge brush of the present invention;
FIG. 5 is a left side view of the combination edge brush of the present invention;
FIG. 6 is a top view of the combination edge brush of the present invention; and,
FIG. 7 is a bottom view of the combination edge brush of the present invention.
The broken lines in the drawings depict features that form no part of the claimed design.

1 Claim, 4 Drawing Sheets



(56)

References Cited

U.S. PATENT DOCUMENTS

2,602,457	A	7/1952	Mele	
D358,646	S	5/1995	Weber	
D490,185	S	5/2004	Hegner et al.	
D654,271	S	2/2012	Hayes	
D742,650	S	11/2015	Albers	
D744,758	S	12/2015	Albers	
D813,553	S	3/2018	Ford	
D839,602	S	2/2019	Taylor et al.	
D866,984	S	* 11/2019	Odum	D4/117

OTHER PUBLICATIONS

Evolve “The Perfect Edge” Brush 573 Bamboo; retrieved from www.firstlinebrands.com on Jul. 6, 2018 (4 pages).

Baby Tress “Edge Styler”; retrieved from <URL:<http://babytress.com/products/edge-styler>> on Jun. 13, 2019 (2 pages).

* cited by examiner

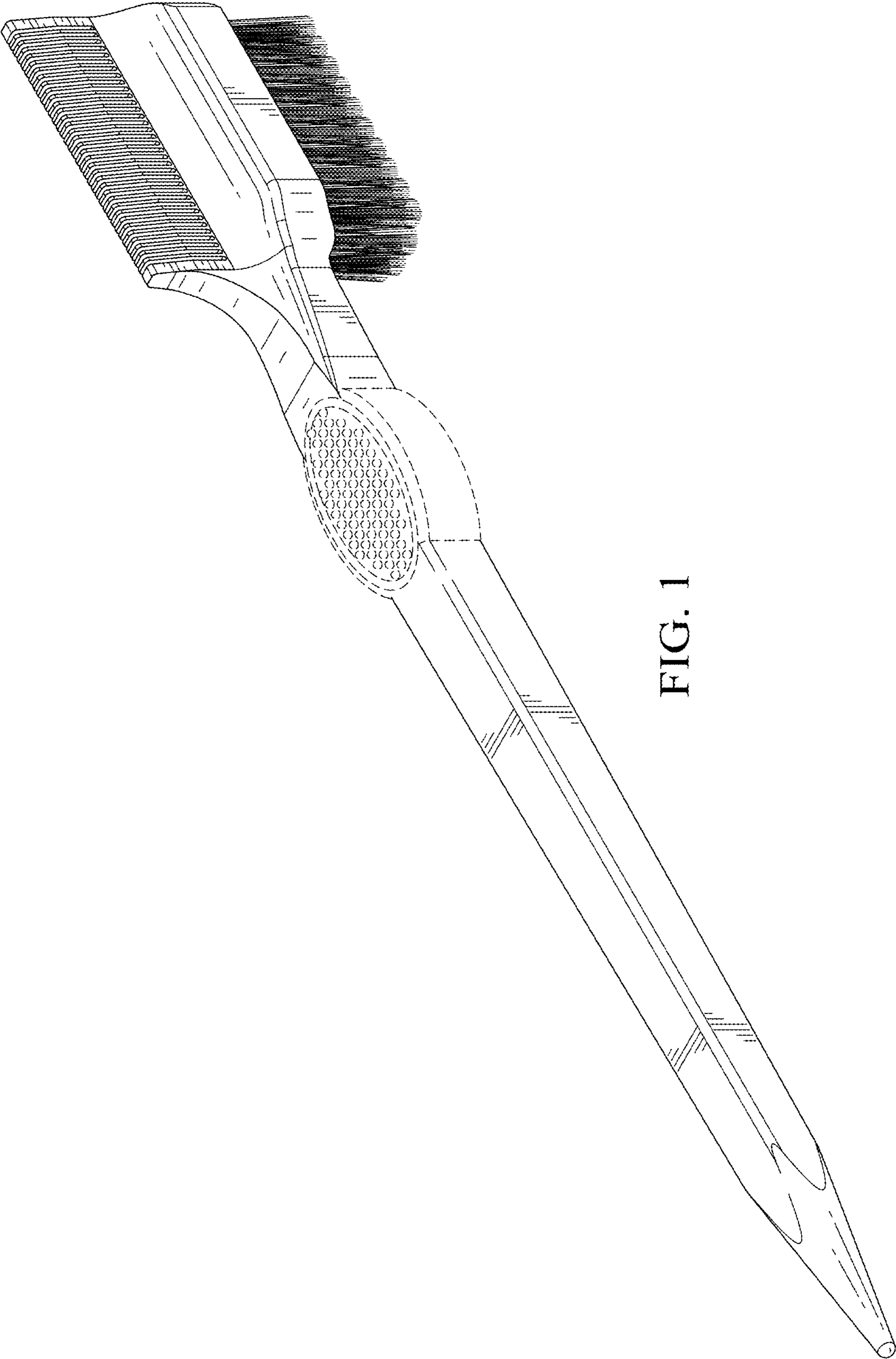


FIG. 1

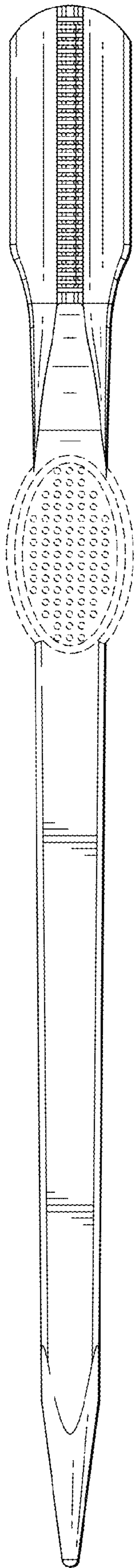


FIG. 2

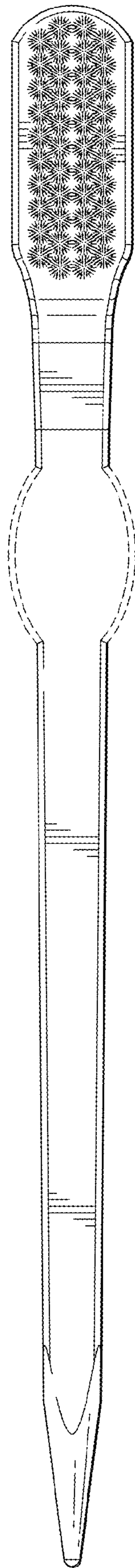


FIG. 3

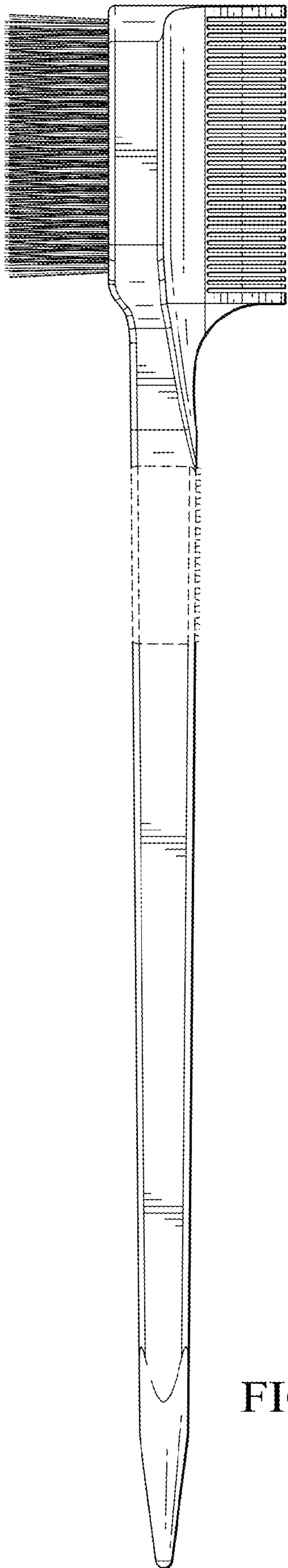


FIG. 4

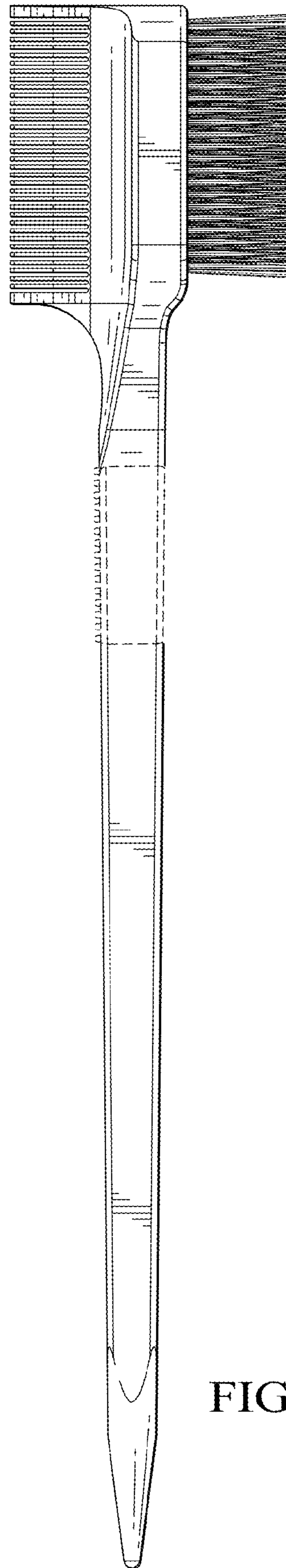


FIG. 5

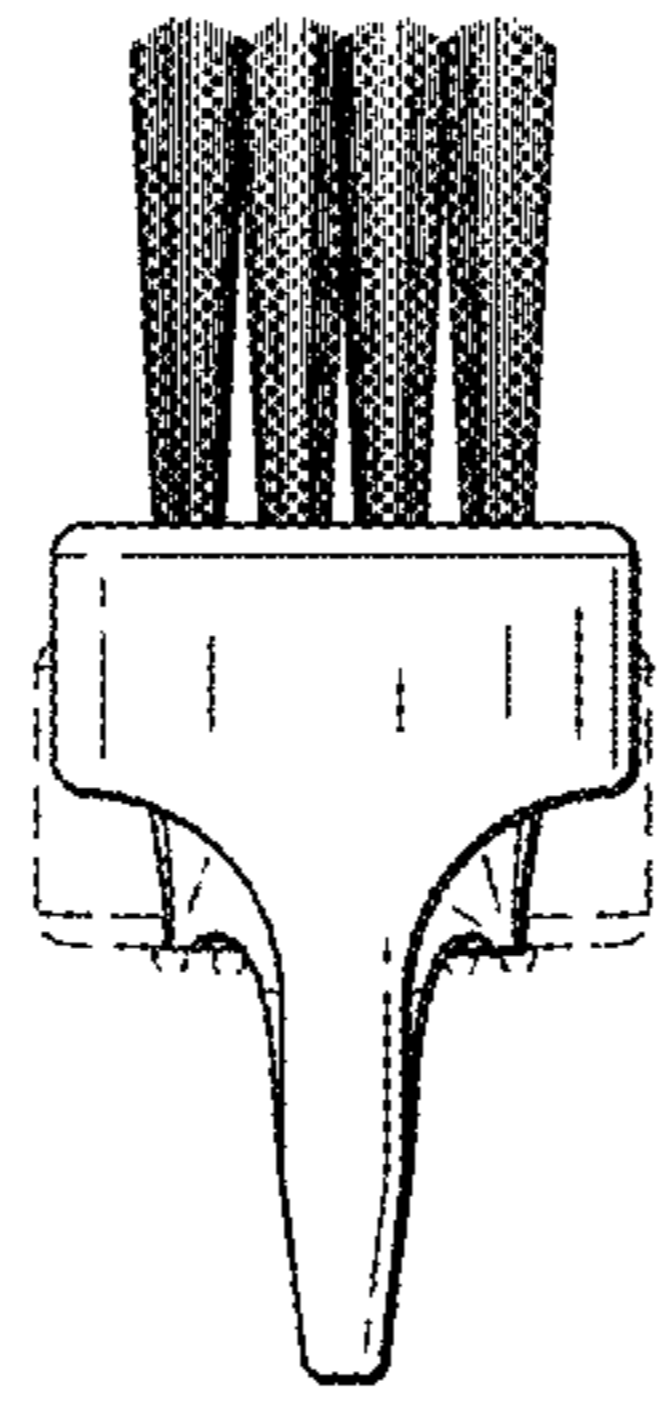


FIG. 6

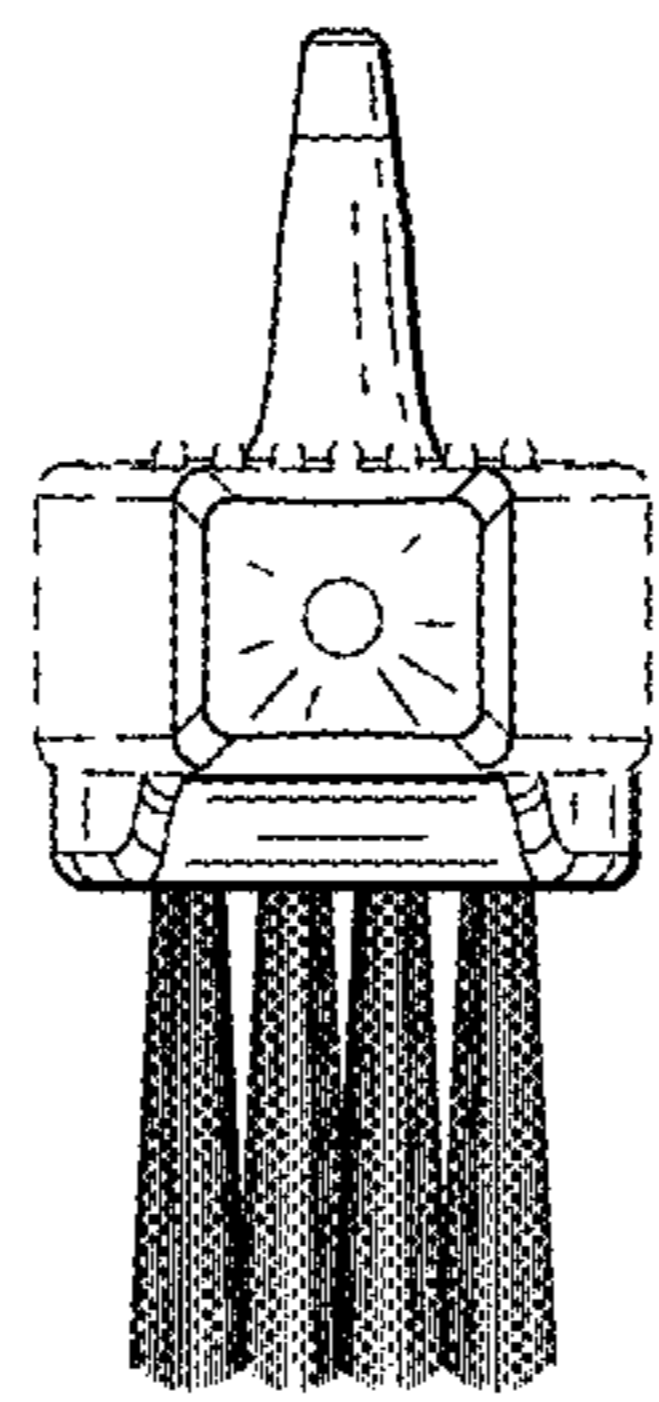


FIG. 7