



US00D892504S

(12) **United States Design Patent**  
**Yang**

(10) **Patent No.:** **US D892,504 S**

(45) **Date of Patent:** **\*\* Aug. 11, 2020**

(54) **BATH BRUSH**

(71) Applicant: **Hua-Wen Yang**, Shenzhen (CN)

(72) Inventor: **Hua-Wen Yang**, Shenzhen (CN)

(\*\*) Term: **15 Years**

(21) Appl. No.: **29/674,754**

(22) Filed: **Dec. 26, 2018**

(51) **LOC (12) Cl.** ..... **04-02**

(52) **U.S. Cl.**

USPC ..... **D4/100**

(58) **Field of Classification Search**

USPC ..... D4/100, 127-138; D24/133; D28/7, 13,  
D28/20-34, 63; D32/49; D30/158, 159

CPC ..... A45D 24/00; A45D 24/10; A45D 24/30;  
A45D 24/32; A45D 20/48; A45D 2/001;  
A01K 13/00; A01K 13/002; A46B 9/06;  
A46B 9/02; A46B 9/023; A46B 7/00;  
A46B 13/00; A46B 13/08; A46B 13/02;  
A46D 1/00; A46D 1/0253; A46D 1/0284;  
A47K 7/00; A47K 7/02; A47K 7/002;  
A47K 7/026; A47K 7/04; A47K 7/043;  
A46N 2200/10; A46N 2200/1046; A46N  
2200/30; A46N 2200/1026

See application file for complete search history.

(56) **References Cited**

**U.S. PATENT DOCUMENTS**

D816,343 S \* 5/2018 Tai ..... D4/100  
D861,908 S \* 10/2019 Gan ..... D24/214

**FOREIGN PATENT DOCUMENTS**

CN 305353039 \* 9/2019

\* cited by examiner

*Primary Examiner* — George A Bugg

*Assistant Examiner* — Tamara L Hahn

(57) **CLAIM**

The ornamental design for a bath brush, as shown and described.

**DESCRIPTION**

FIG. 1 is a perspective view of a bath brush showing my new design;

FIG. 2 is a front elevational view thereof;

FIG. 3 is a top plan view thereof;

FIG. 4 is a left side elevational view thereof;

FIG. 5 is a rear elevational view thereof;

FIG. 6 is a right side view thereof; and,

FIG. 7 is a bottom plan view thereof.

**1 Claim, 7 Drawing Sheets**

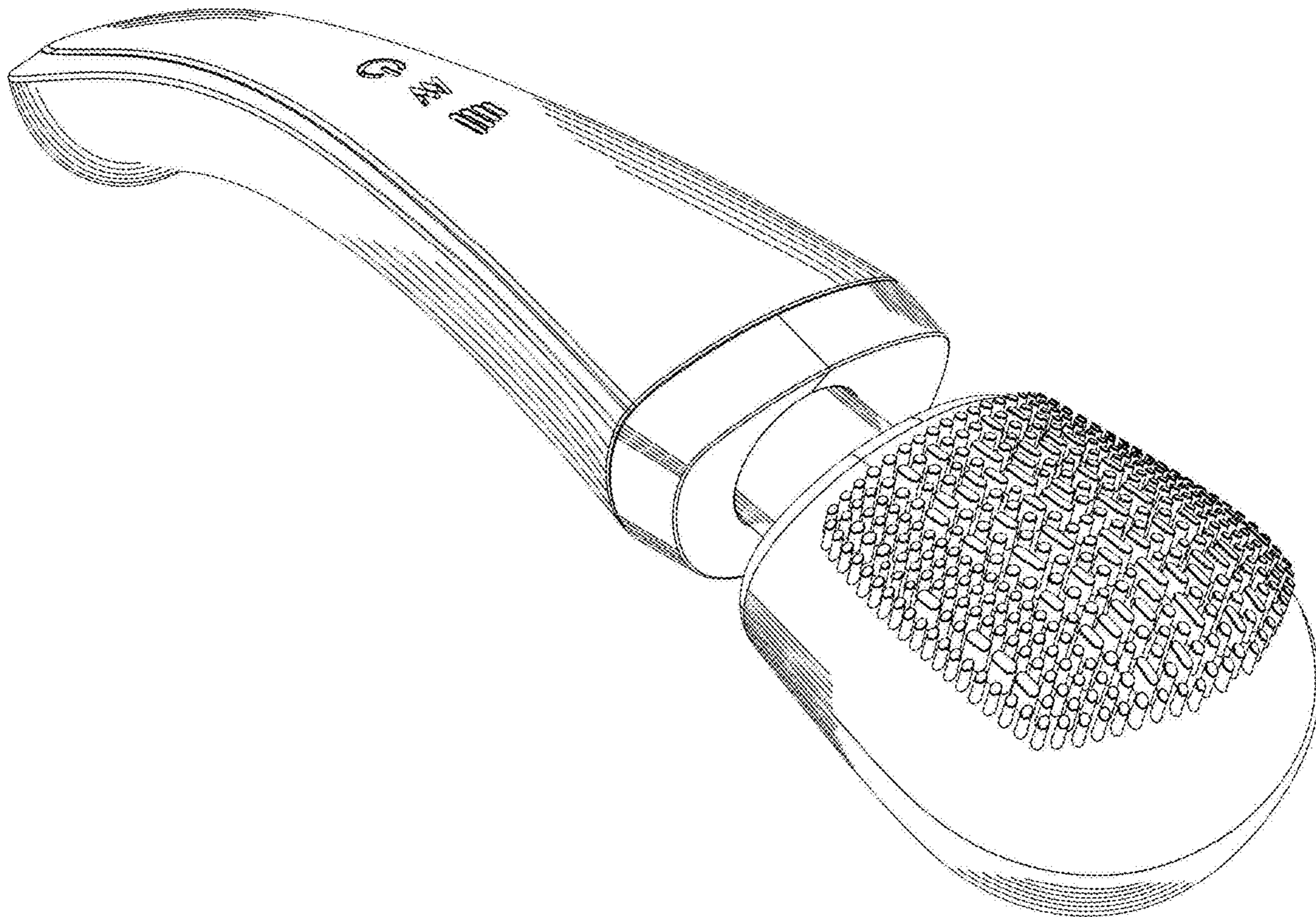
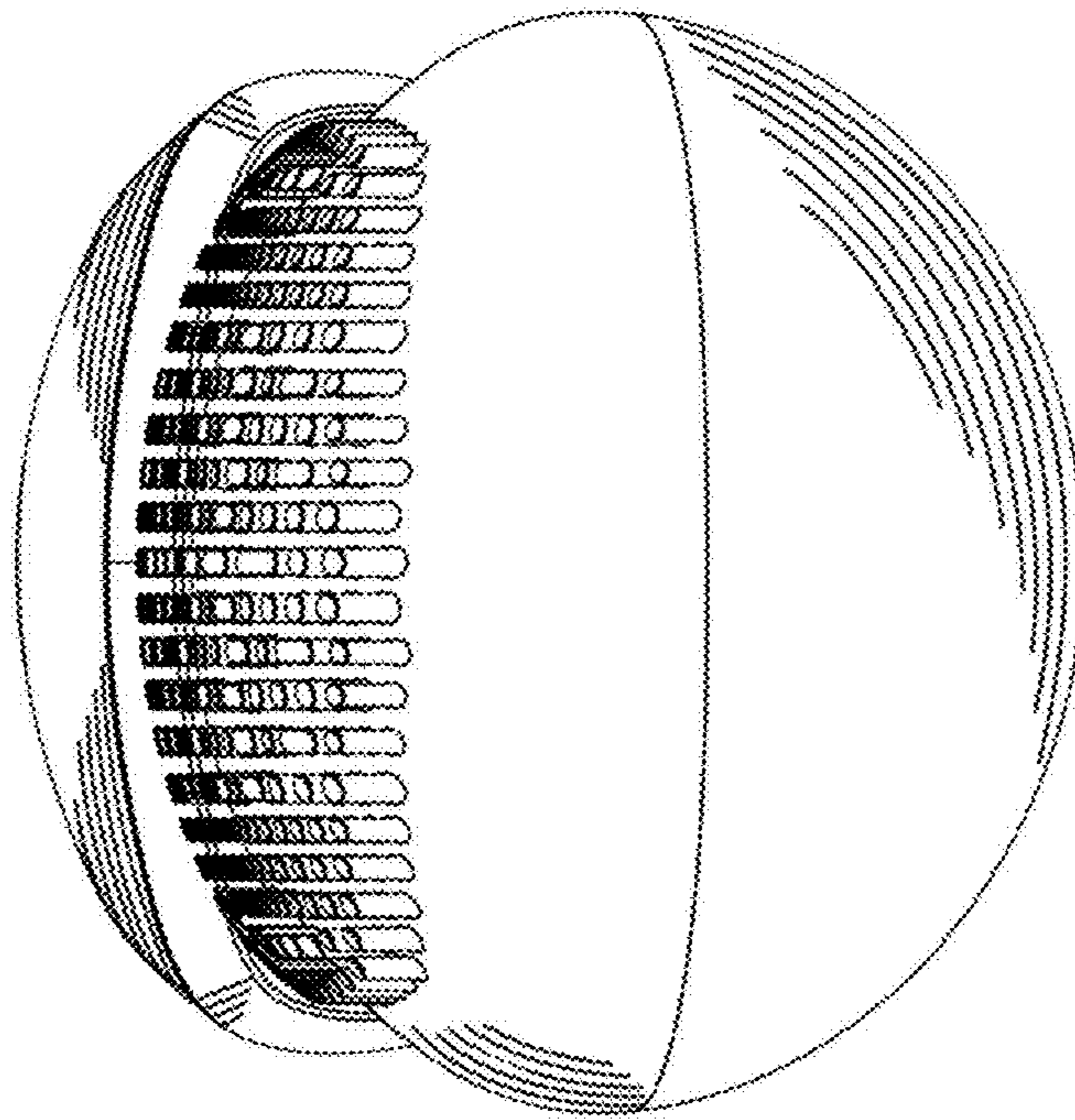
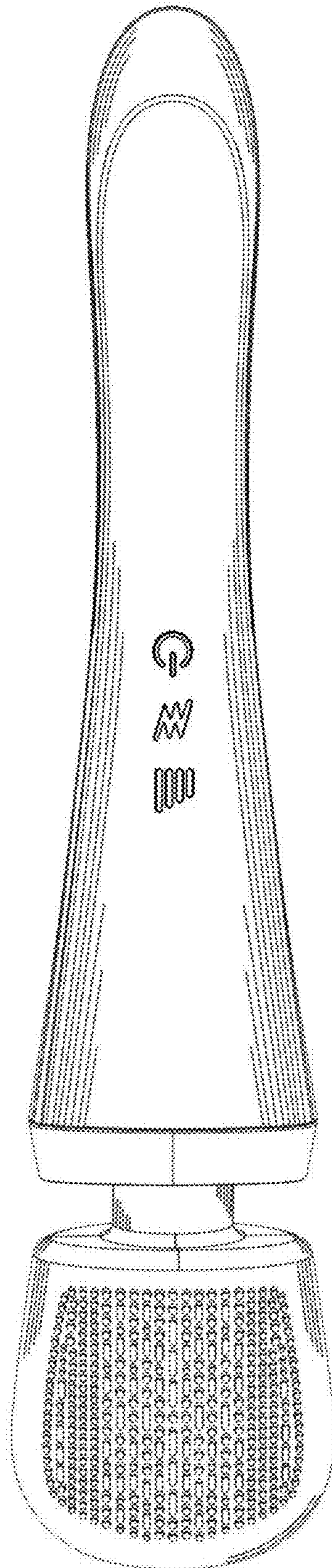




FIG. 1



**FIG. 2**



**FIG. 3**

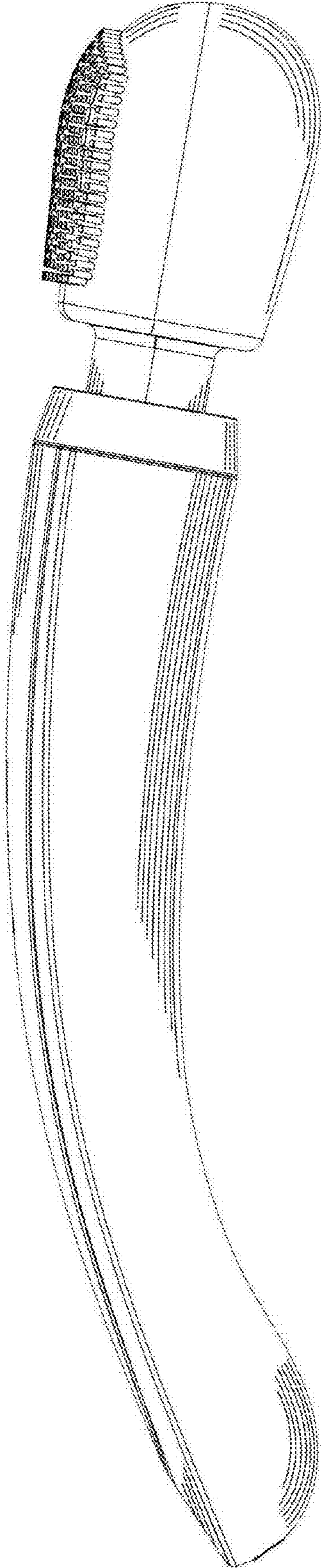
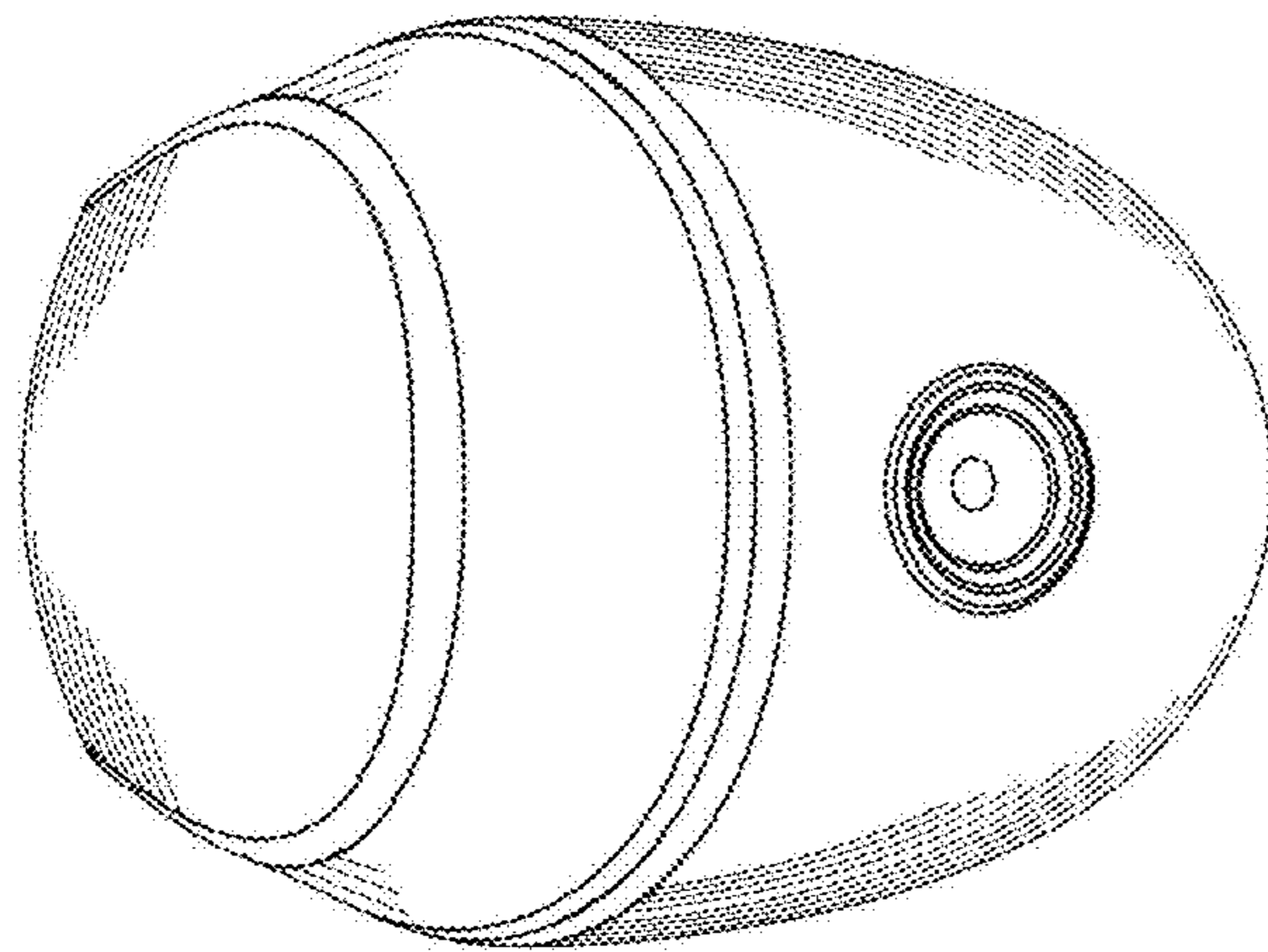
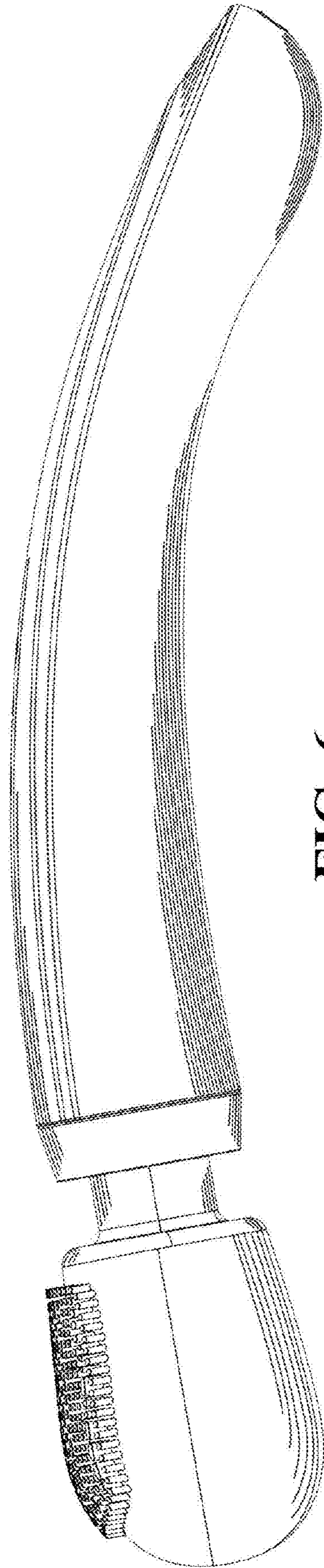


FIG. 4



**FIG. 5**



**FIG. 6**



**FIG. 7**