



US00D892503S

(12) **United States Design Patent**  
**Sangirardi**

(10) **Patent No.:** **US D892,503 S**

(45) **Date of Patent:** **\*\* Aug. 11, 2020**

(54) **BAG WITH ATTACHED CASTERS**

7,252,296 B2 \* 8/2007 Miyoshi ..... A45C 5/14  
280/37

(71) Applicant: **TORCH BOWLING INC.**, Medford,  
NY (US)

D697,717 S \* 1/2014 Santy ..... D3/318

D710,107 S \* 8/2014 Sangirardi ..... D3/318

D863,769 S \* 10/2019 Gulrajani ..... D3/318

(72) Inventor: **William F. Sangirardi**, Medford, NY  
(US)

\* cited by examiner

(\*\*) Term: **15 Years**

*Primary Examiner* — Holly H Baynham

(74) *Attorney, Agent, or Firm* — Law Offices of Michael  
L. Wise, LLC

(21) Appl. No.: **29/690,996**

(22) Filed: **May 13, 2019**

(51) **LOC (12) Cl.** ..... **03-01**

(52) **U.S. Cl.**

USPC ..... **D3/318; D8/375**

(58) **Field of Classification Search**

USPC ..... D3/273, 279, 285, 189, 318; D8/375

CPC ..... A45C 5/14; A45C 11/38; A45C 13/08;

A45C 13/26; A45C 13/30

See application file for complete search history.

(56) **References Cited**

**U.S. PATENT DOCUMENTS**

D375,202 S \* 11/1996 Vermillion ..... D3/318

D497,480 S \* 10/2004 Drew ..... D3/318

(57) **CLAIM**

The ornamental design for a bag with attached casters, as  
shown and described.

**DESCRIPTION**

FIG. 1 is a front perspective view of a bag with attached  
casters showing the new design;

FIG. 2 is a left elevational view thereof;

FIG. 3 is a right elevational view thereof;

FIG. 4 is a front elevational view thereof;

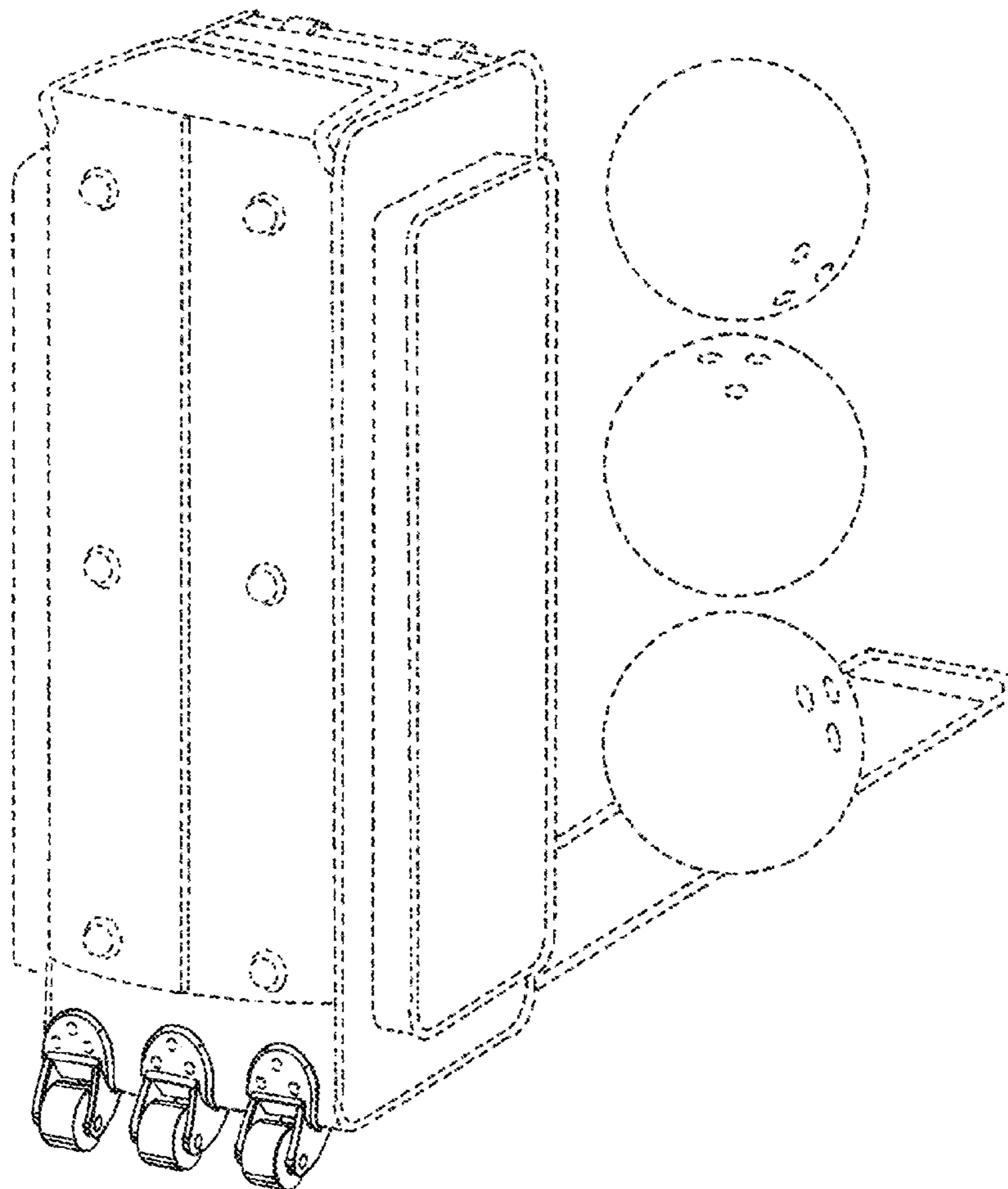
FIG. 5 is a rear elevational view thereof;

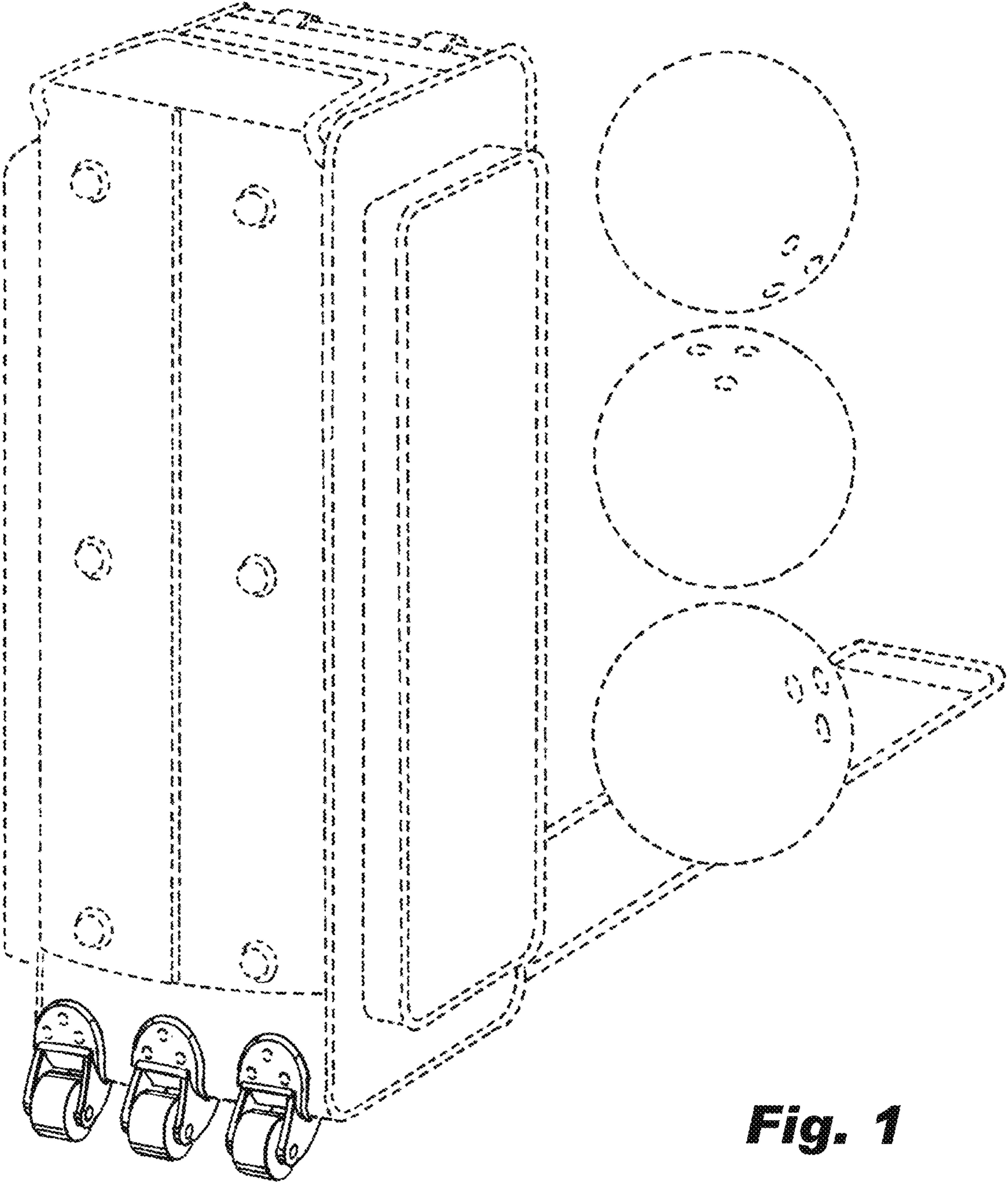
FIG. 6 is a top plan view thereof; and,

FIG. 7 is a bottom plan view thereof.

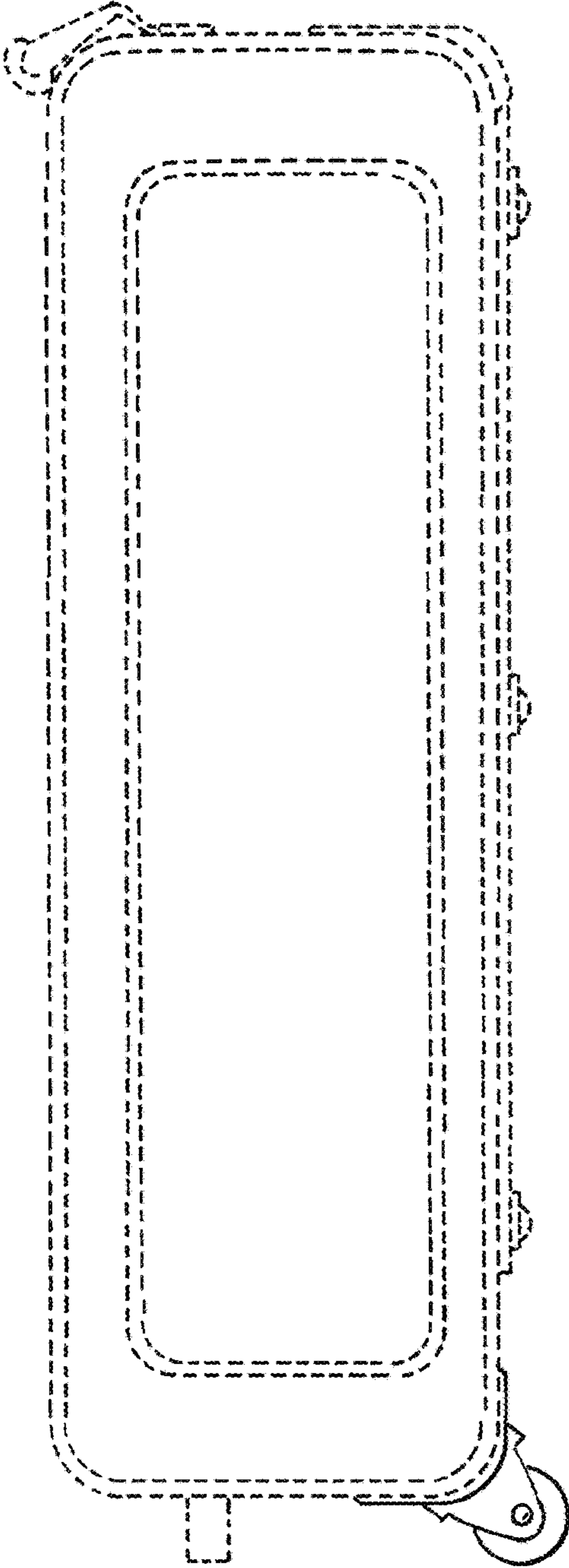
The broken lines are environmental only and form no part of  
the claimed design.

**1 Claim, 4 Drawing Sheets**

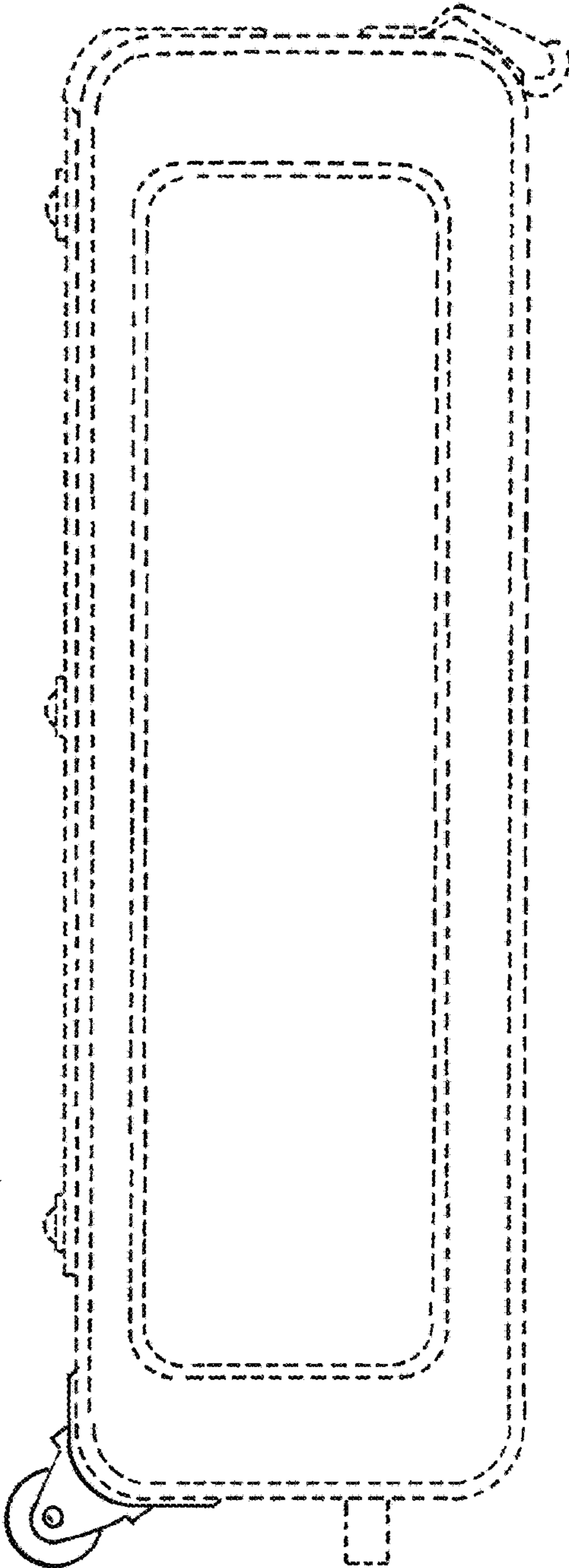




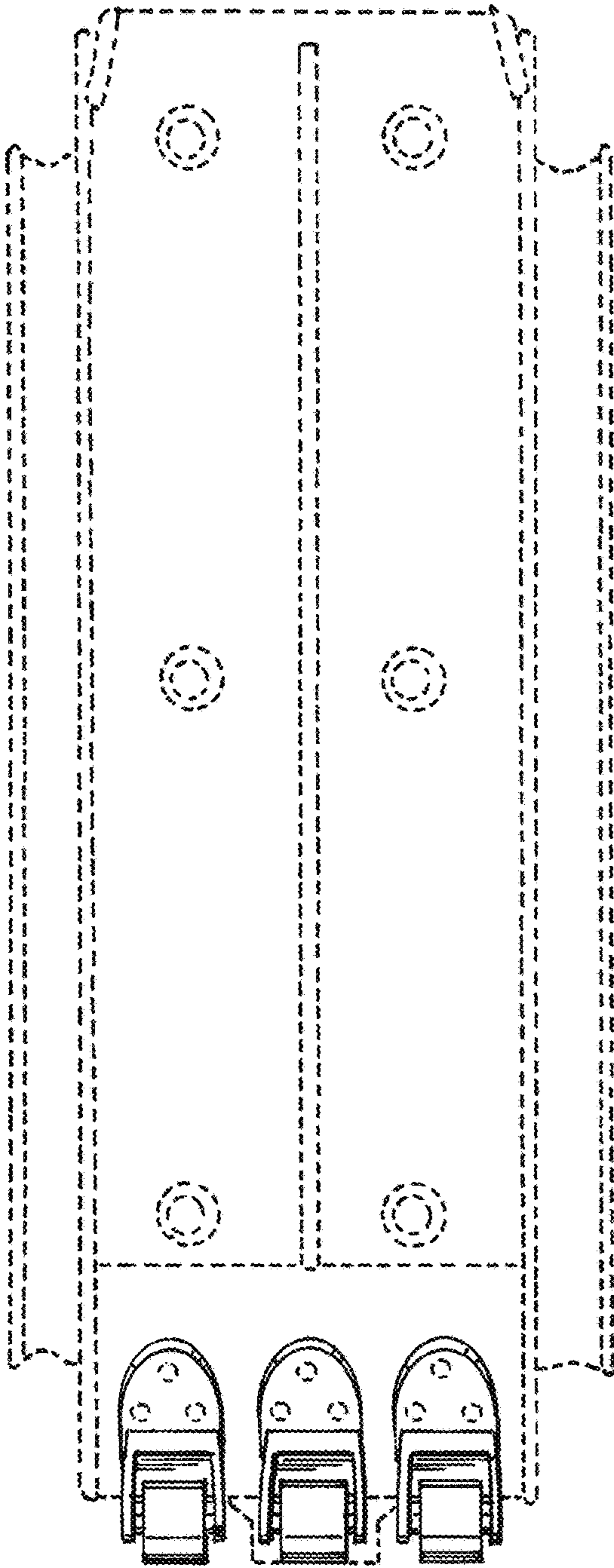
**Fig. 1**



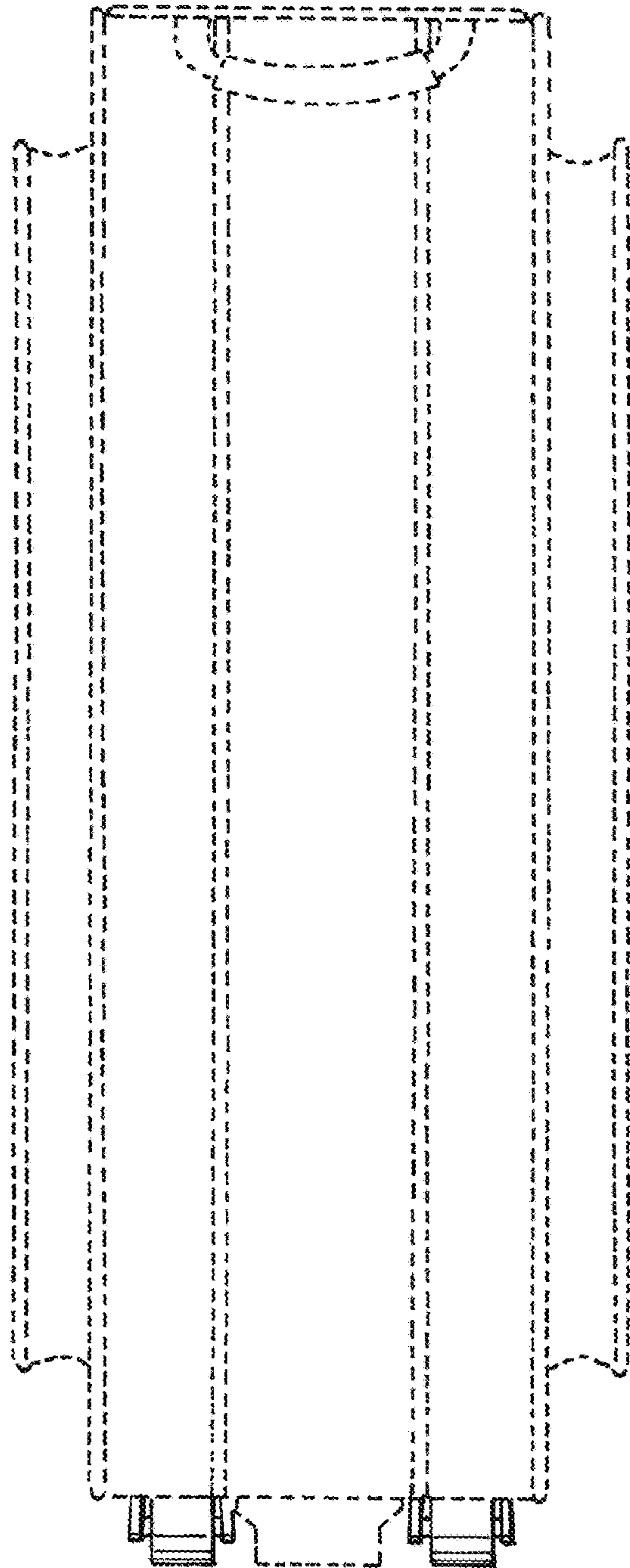
**Fig. 2**



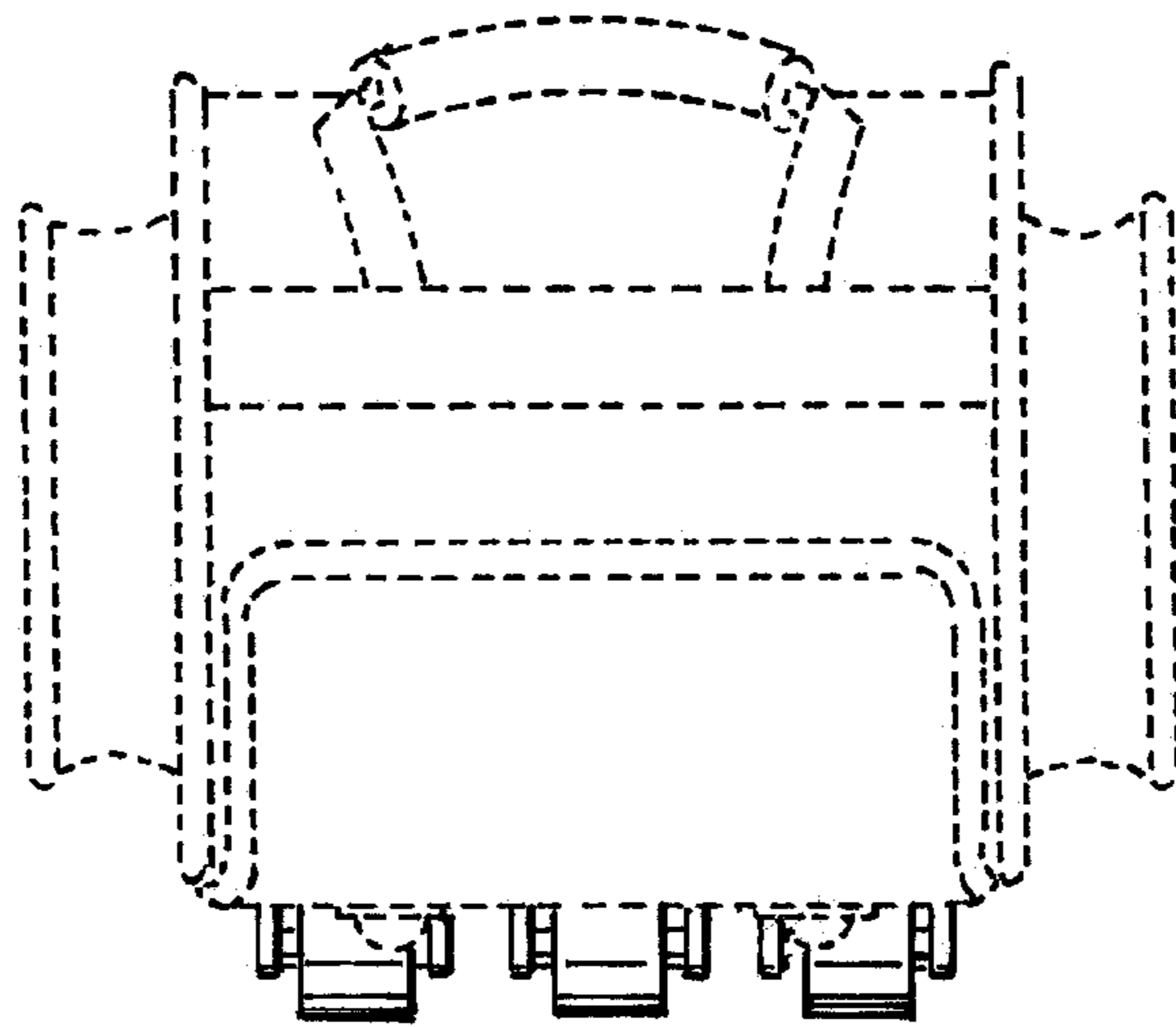
**Fig. 3**



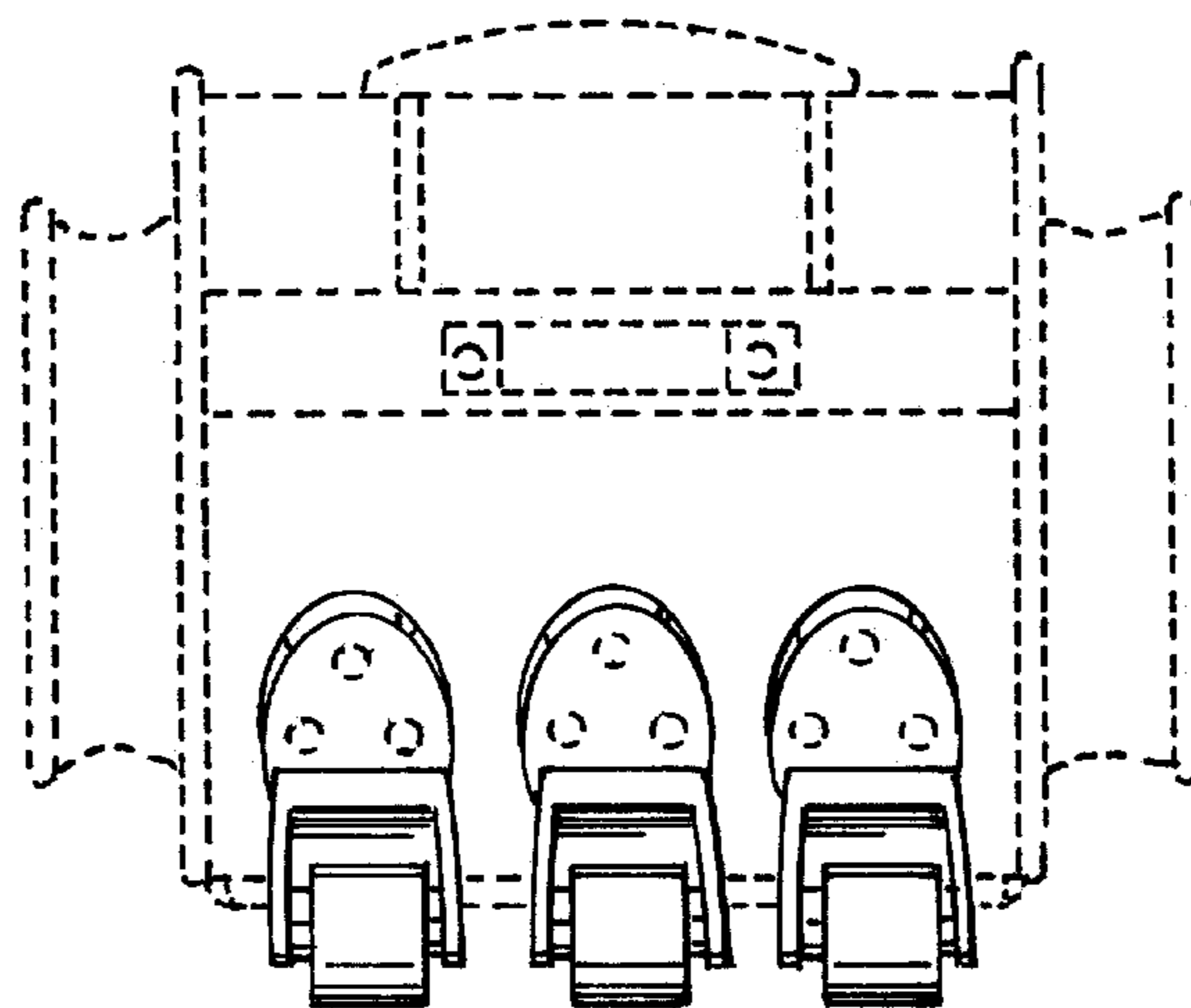
**Fig. 4**



**Fig. 5**



**Fig. 6**



**Fig. 7**